

# PRODUCT DATA SHEET



## PRODUCT CODE

CROSSBOX

## RANGE

Crossbox

## DESCRIPTION

Crossbox In Universal Rough

## WEBSITE LINK

[Click Here](#)

|                       |              |
|-----------------------|--------------|
| CATEGORY              | Brassware    |
| WARRANTY DETAILS      | 15 Years     |
| FINISH APPLICATION    | Raw/Natural  |
| PRIMARY MATERIAL      | Brass        |
| INSTALL TYPE          | Wall Mounted |
| PRODUCT WIDTH MM      | 166          |
| PRODUCT HEIGHT MM     | 199          |
| PRODUCT NET WEIGHT KG | 1.86         |

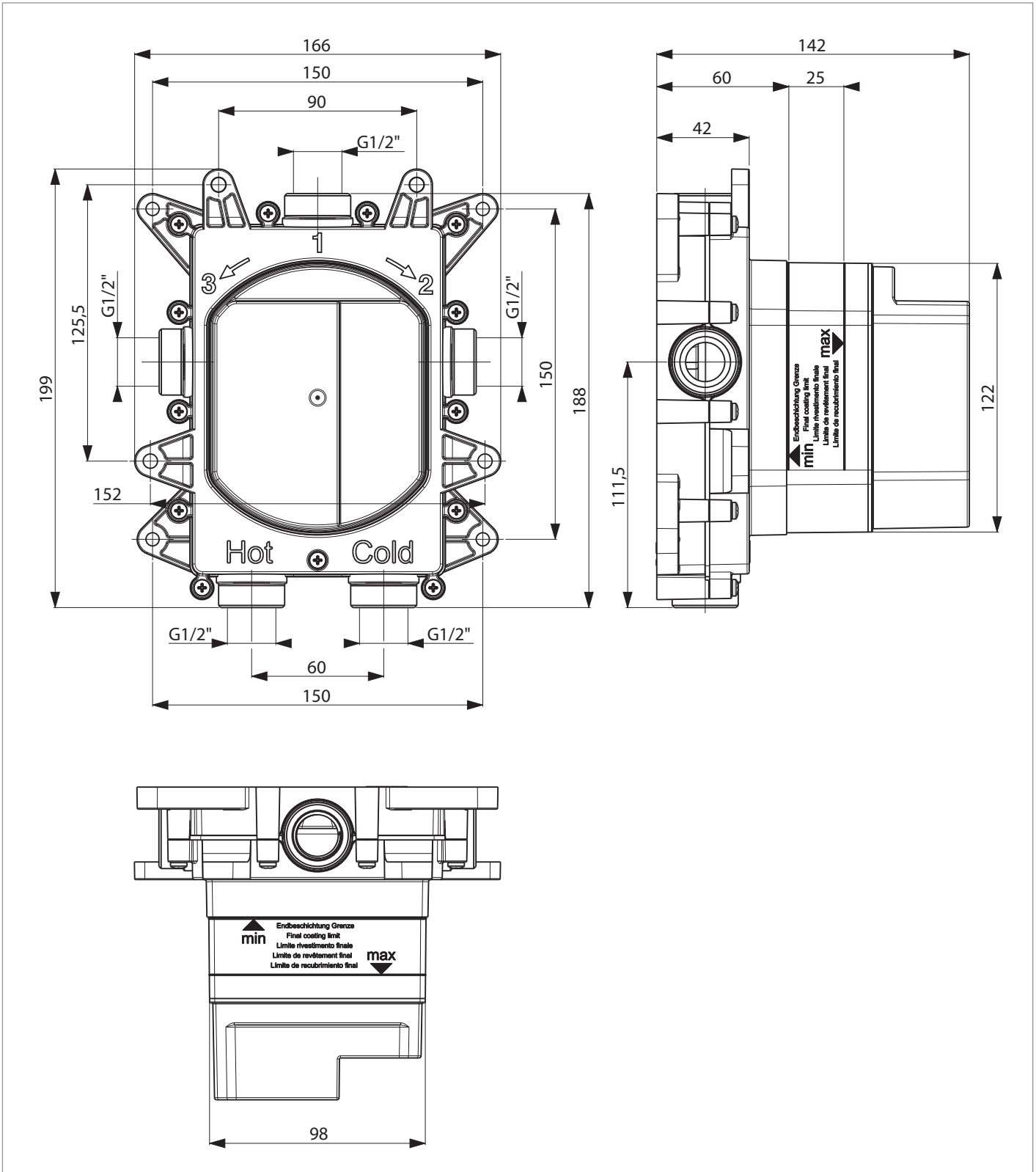
|                           |                |
|---------------------------|----------------|
| APPROVAL                  | KIWA - 2501751 |
| NUMBER OF OUTLETS         | 1-3            |
| INLET CONNECTIONS THREAD  | G1/2"          |
| OUTLET CONNECTIONS THREAD | G1/2"          |

| PRESSURE (BAR)      | 0.2 | 0.5 | 1 | 2 | 3 | 4 | 5 |
|---------------------|-----|-----|---|---|---|---|---|
| PRIMARY FLOWRATE    |     |     |   |   |   |   |   |
| HANDSET FLOWRATE    |     |     |   |   |   |   |   |
| MESSAGE FLOW RATE   |     |     |   |   |   |   |   |
| AIR FLOW RATE       |     |     |   |   |   |   |   |
| WIRE FLOW RATE      |     |     |   |   |   |   |   |
| WATERFALL FLOW RATE |     |     |   |   |   |   |   |
| MIST FLOW RATE      |     |     |   |   |   |   |   |
| HANDSPRAY FLOW RATE |     |     |   |   |   |   |   |

## TECHNICAL DIMENSIONS

Dimensions in mm unless otherwise specified.

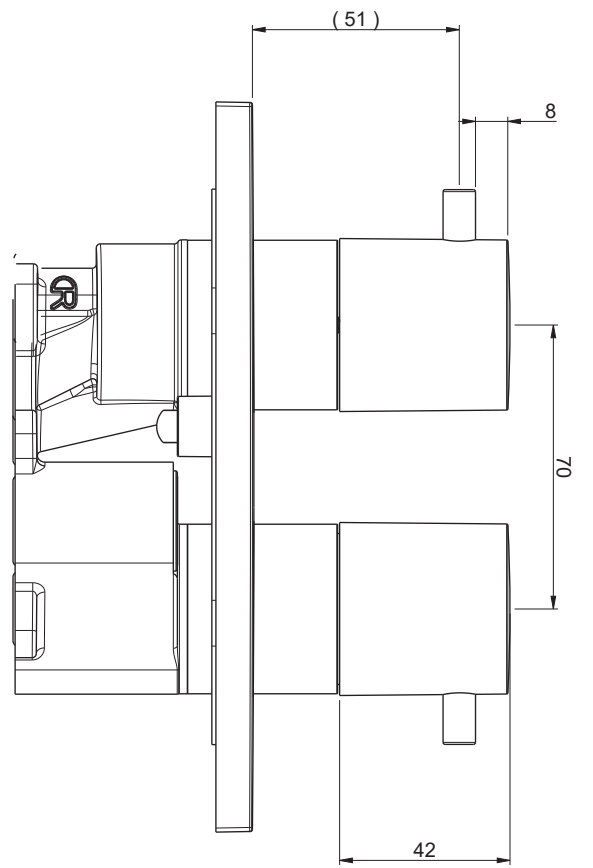
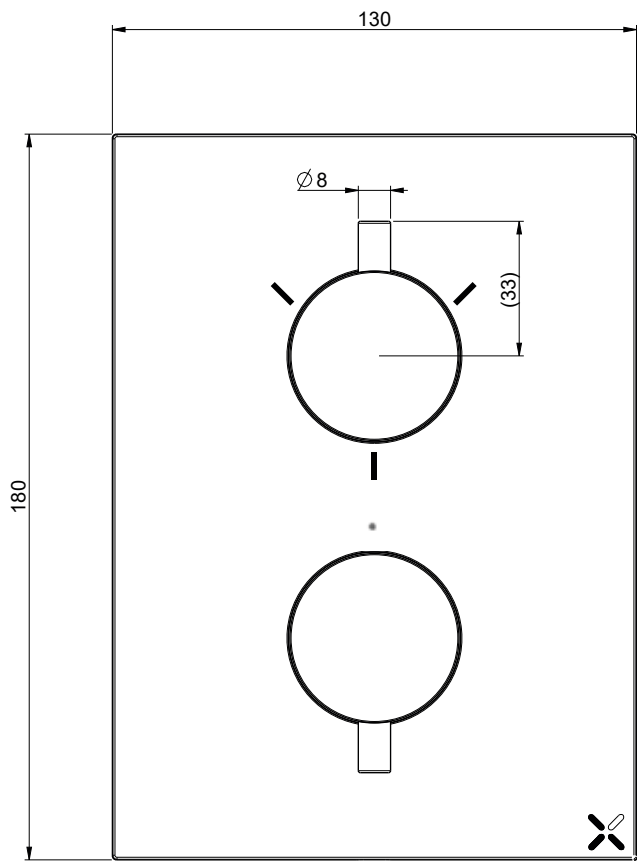
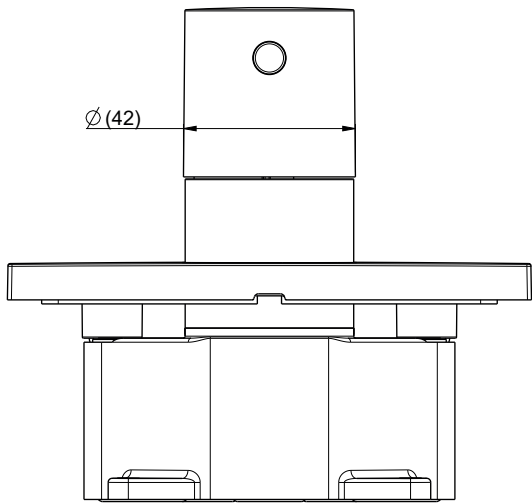
Tolerances (per material type) apply.



## SPARES LIST

Only the parts labelled are available as spares.

| NUMBER | PART CODE      | DESCRIPTION                  |
|--------|----------------|------------------------------|
| 1      | E00309000000SA | Crossbox Spare Fitting Kit   |
| 2      | E25000700000SA | Crossbox Frame for Backplate |
| 3      | E25000800000SA | Crossbox Screw Kit           |



# PRODUCT DATA SHEET



## PRODUCT CODE

FH684V\_V2

## RANGE

Shower Arm

## DESCRIPTION

Shower Arm 350mm Brushed Nickel

## WEBSITE LINK

[Click Here](#)

|                       |                |
|-----------------------|----------------|
| CATEGORY              | Brassware      |
| WARRANTY DETAILS      | 15 Years       |
| COLOUR                | Brushed Nickel |
| FINISH APPLICATION    | PVD            |
| PRIMARY MATERIAL      | Brass          |
| INSTALL TYPE          | Wall Mounted   |
| PRODUCT WIDTH MM      | 340            |
| PRODUCT HEIGHT MM     | 60             |
| PRODUCT LENGTH MM     | 110            |
| PRODUCT DEPTH MM      | 20             |
| PRODUCT NET WEIGHT KG | 0.1            |

|                           |                 |
|---------------------------|-----------------|
| STANDARDS                 | BS EN 1112:2008 |
| APPROVAL                  | KIWA - 2302755  |
| NUMBER OF OUTLETS         | 1               |
| NUMBER OF FUNCTIONS       | 1               |
| SWIVEL SPOUT              | No              |
| INLET CONNECTIONS THREAD  | G1/2"           |
| OUTLET CONNECTIONS THREAD | G1/2"           |
| WASTE INCLUDED            | No              |
| ANTI-SCALD                | No              |
| ENERGY SAVING             | No              |

| PRESSURE (BAR)      | 0.2 | 0.5 | 1 | 2 | 3 | 4 | 5 |
|---------------------|-----|-----|---|---|---|---|---|
| PRIMARY FLOWRATE    |     |     |   |   |   |   |   |
| HANDSET FLOWRATE    |     |     |   |   |   |   |   |
| MASSAGE FLOW RATE   |     |     |   |   |   |   |   |
| AIR FLOW RATE       |     |     |   |   |   |   |   |
| WIRE FLOW RATE      |     |     |   |   |   |   |   |
| WATERFALL FLOW RATE |     |     |   |   |   |   |   |
| MIST FLOW RATE      |     |     |   |   |   |   |   |
| HANDSPRAY FLOW RATE |     |     |   |   |   |   |   |

## TECHNICAL DIMENSIONS

Dimensions in mm unless otherwise specified.

Tolerances (per material type) apply.



## SPARES LIST

Only the parts labelled are available as spares.

NO SPARES AVAILABLE

# PRODUCT DATA SHEET



## PRODUCT CODE

PRO200V\_V2

## RANGE

MPRO

## DESCRIPTION

MPRO 200mm Fixed Head Brushed Nickel

|                            |                              |
|----------------------------|------------------------------|
| CATEGORY                   | Brassware                    |
| WARRANTY DETAILS           | 15 Years                     |
| COLOUR                     | Brushed Nickel               |
| FINISH APPLICATION         | PVD                          |
| PRIMARY MATERIAL           | Brass                        |
| INSTALL TYPE               | Wall Mounted/Ceiling Mounted |
| PRODUCT WIDTH MM           | 200                          |
| PRODUCT HEIGHT MM          | 58                           |
| PRODUCT LENGTH MM          | 200                          |
| PRODUCT NET WEIGHT KG      | 0.9                          |
| MINIMUM PRESSURE (BAR)     | 0.5                          |
| MAX WORKING PRESSURE (BAR) | 5                            |

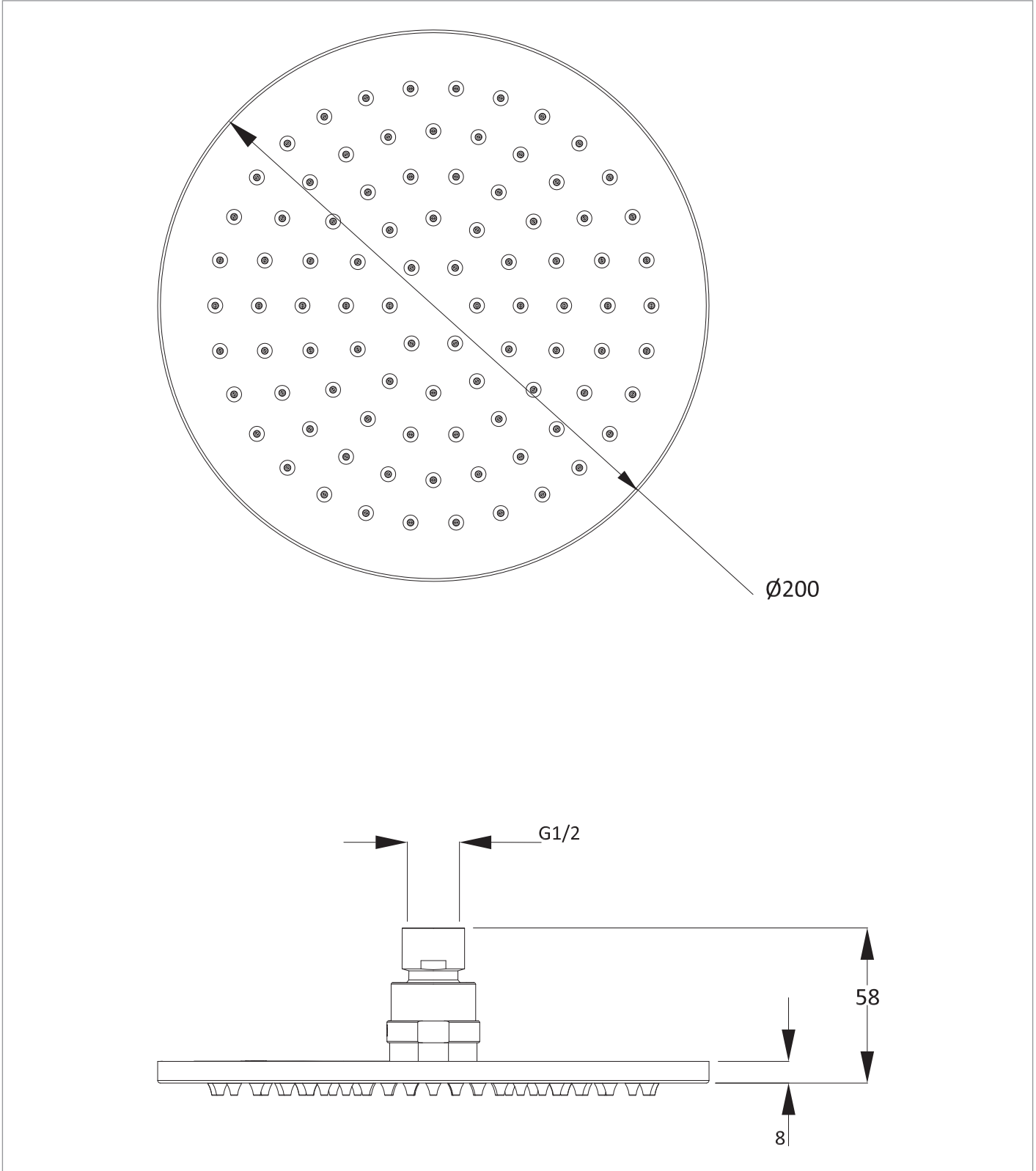
|                          |               |
|--------------------------|---------------|
| APPROVAL                 | KIWA -2312748 |
| NUMBER OF OUTLETS        | 1             |
| NUMBER OF FUNCTIONS      | 1             |
| SWIVEL SPOUT             | No            |
| INLET CONNECTIONS THREAD | G1/2"         |
| WASTE INCLUDED           | No            |
| ANTI-SCALD               | No            |
| ENERGY SAVING            | No            |

| PRESSURE (BAR)      | 0.2   | 0.5   | 1     | 2     | 3     | 4     | 5     |
|---------------------|-------|-------|-------|-------|-------|-------|-------|
| PRIMARY FLOWRATE    | 11.16 | 12.75 | 16.48 | 23.31 | 26.58 | 31.36 | 35.39 |
| HANDSET FLOWRATE    |       |       |       |       |       |       |       |
| MESSAGE FLOW RATE   |       |       |       |       |       |       |       |
| AIR FLOW RATE       |       |       |       |       |       |       |       |
| WIRE FLOW RATE      |       |       |       |       |       |       |       |
| WATERFALL FLOW RATE |       |       |       |       |       |       |       |
| MIST FLOW RATE      |       |       |       |       |       |       |       |
| HANDSPRAY FLOW RATE |       |       |       |       |       |       |       |

## TECHNICAL DIMENSIONS

Dimensions in mm unless otherwise specified.

Tolerances (per material type) apply.

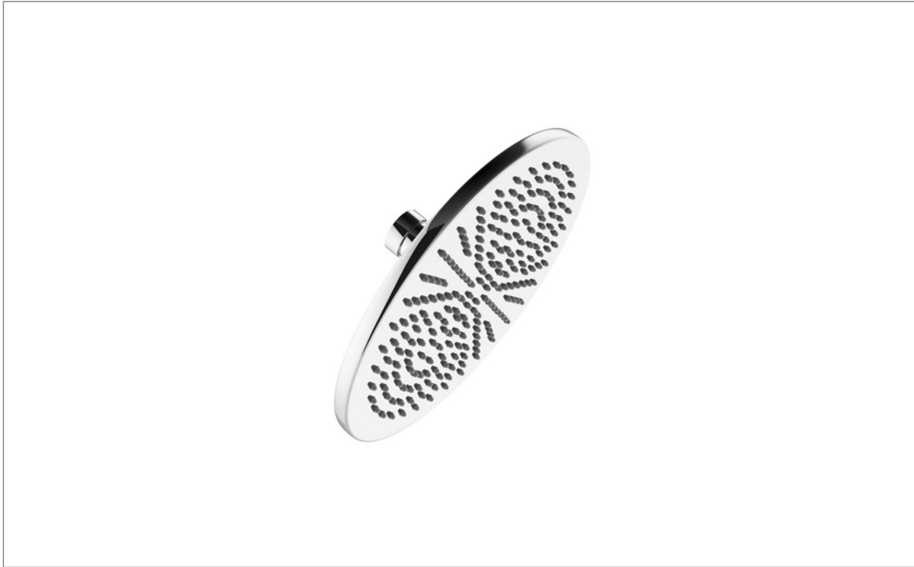


## SPARES LIST

Only the parts labelled are available as spares.

**NO SPARES AVAILABLE**

# PRODUCT DATA SHEET



## PRODUCT CODE

PRO300V\_V2

## RANGE

MPRO

## DESCRIPTION

MPRO 300mm Fixed Head Brushed Nickel

## WEBSITE LINK

[Click Here](#)

|                            |                              |
|----------------------------|------------------------------|
| CATEGORY                   | Brassware                    |
| WARRANTY DETAILS           | 15 Years                     |
| COLOUR                     | Brushed Nickel               |
| FINISH APPLICATION         | PVD                          |
| PRIMARY MATERIAL           | Brass                        |
| INSTALL TYPE               | Wall Mounted/Ceiling Mounted |
| PRODUCT WIDTH MM           | 300                          |
| PRODUCT HEIGHT MM          | 58                           |
| PRODUCT NET WEIGHT KG      | 2.4                          |
| MINIMUM PRESSURE (BAR)     | 0.5                          |
| MAX WORKING PRESSURE (BAR) | 5                            |

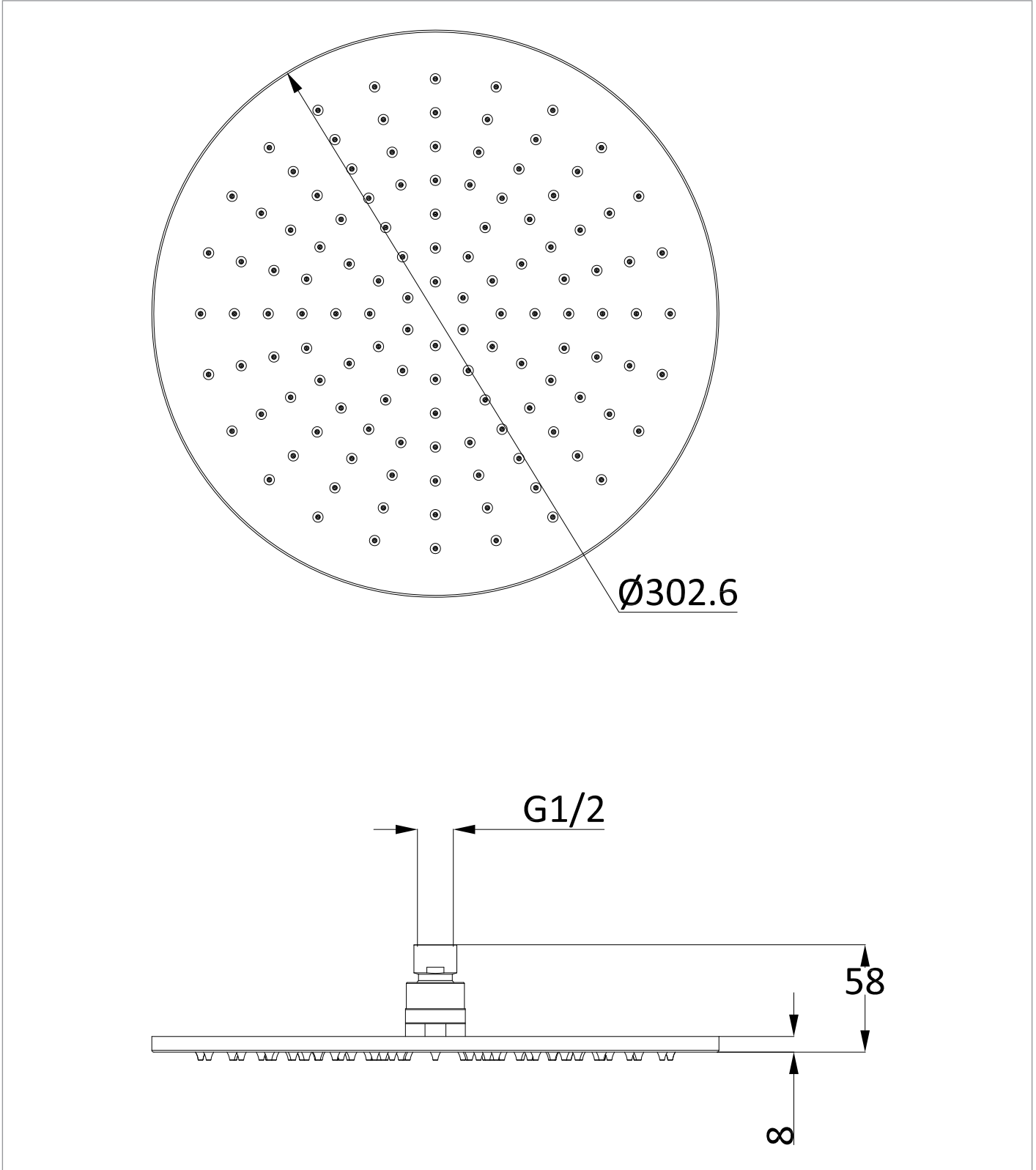
|                          |                |
|--------------------------|----------------|
| APPROVAL                 | KIWA - 2312748 |
| NUMBER OF OUTLETS        | 1              |
| NUMBER OF FUNCTIONS      | 1              |
| INLET CONNECTIONS THREAD | G1/2"          |
| WASTE INCLUDED           | No             |
| ANTI-SCALD               | No             |
| ENERGY SAVING            | No             |

| PRESSURE (BAR)      | 0.2 | 0.5   | 1    | 2     | 3     | 4     | 5     |
|---------------------|-----|-------|------|-------|-------|-------|-------|
| PRIMARY FLOWRATE    |     | 12.91 | 16.7 | 22.02 | 24.07 | 27.87 | 31.13 |
| HANDSET FLOWRATE    |     |       |      |       |       |       |       |
| MESSAGE FLOW RATE   |     |       |      |       |       |       |       |
| AIR FLOW RATE       |     |       |      |       |       |       |       |
| WIRE FLOW RATE      |     |       |      |       |       |       |       |
| WATERFALL FLOW RATE |     |       |      |       |       |       |       |
| MIST FLOW RATE      |     |       |      |       |       |       |       |
| HANDSPRAY FLOW RATE |     |       |      |       |       |       |       |

## TECHNICAL DIMENSIONS

Dimensions in mm unless otherwise specified.

Tolerances (per material type) apply.



## SPARES LIST

Only the parts labelled are available as spares.

**NO SPARES AVAILABLE**

# PRODUCT DATA SHEET



## PRODUCT CODE

SK971L

## RANGE

Shower Kit

## DESCRIPTION

Shower Set with Outlet Elbow Brushed Nickel

|                            |                |
|----------------------------|----------------|
| CATEGORY                   | Brassware      |
| WARRANTY DETAILS           | 15 Years       |
| COLOUR                     | Brushed Nickel |
| FINISH APPLICATION         | PVD            |
| PRIMARY MATERIAL           | Brass          |
| SECONDARY MATERIAL         | ABS            |
| INSTALL TYPE               | Wall Mounted   |
| PRODUCT WIDTH MM           | 111            |
| PRODUCT HEIGHT MM          | 698            |
| PRODUCT DEPTH MM           | 45             |
| PRODUCT NET WEIGHT KG      | 1.64           |
| MINIMUM PRESSURE (BAR)     | 1              |
| MAX WORKING PRESSURE (BAR) | 5              |

|                          |                  |
|--------------------------|------------------|
| APPROVAL                 | WRAS - 251188002 |
| NUMBER OF OUTLETS        | 1                |
| NUMBER OF FUNCTIONS      | 3                |
| INLET CONNECTIONS THREAD | G1/2"            |
| WASTE INCLUDED           | No               |
| ANTI-SCALD               | No               |
| ENERGY SAVING            | No               |

| PRESSURE (BAR)      | 0.2 | 0.5 | 1     | 2     | 3     | 4     | 5     |
|---------------------|-----|-----|-------|-------|-------|-------|-------|
| PRIMARY FLOWRATE    |     |     | 10.29 | 13.26 | 15.18 | 17.76 | 19.38 |
| HANDSET FLOWRATE    |     |     |       |       |       |       |       |
| MASSAGE FLOW RATE   |     |     |       |       |       |       |       |
| AIR FLOW RATE       |     |     |       |       |       |       |       |
| WIRE FLOW RATE      |     |     |       |       |       |       |       |
| WATERFALL FLOW RATE |     |     |       |       |       |       |       |
| MIST FLOW RATE      |     |     |       |       |       |       |       |
| HANDSPRAY FLOW RATE |     |     |       |       |       |       |       |



## SPARES LIST

Only the parts labelled are available as spares.

|  |
|--|
|  |
|--|

