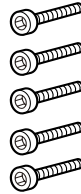
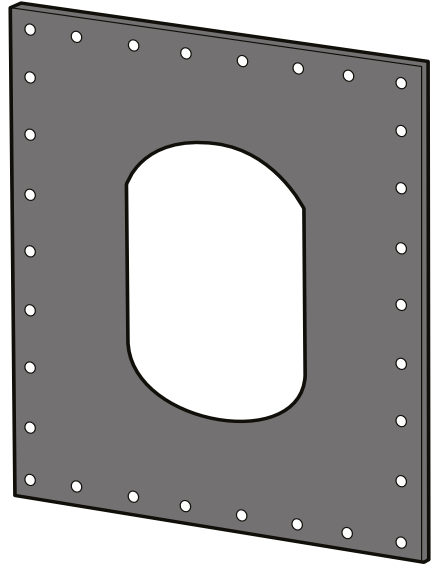
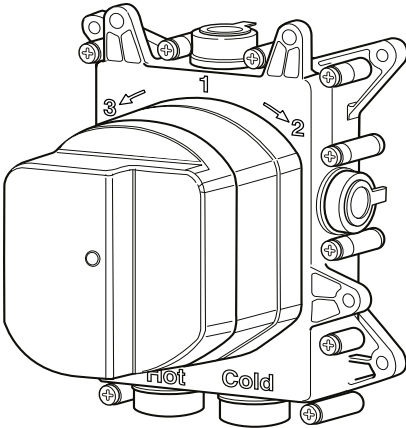
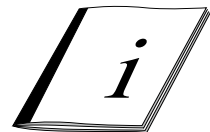


CROSSBOX

Mounting Instructions



Mounting instructions



Pressure range min/max 0,5/5 bar
(in case of water pressure higher than 5 bar we recommend installing pressure reducers).

Recommended pressure 3 bar.

Operation:

Either with gas or electric accumulation boilers.

Centralised systems.

The product should only be installed by a suitably qualified plumber/installer.

Safety lock at: 41° C

Min. Working temperature: 3° C

Min. recommended: 15° C

Max. Working temperature: 70° C

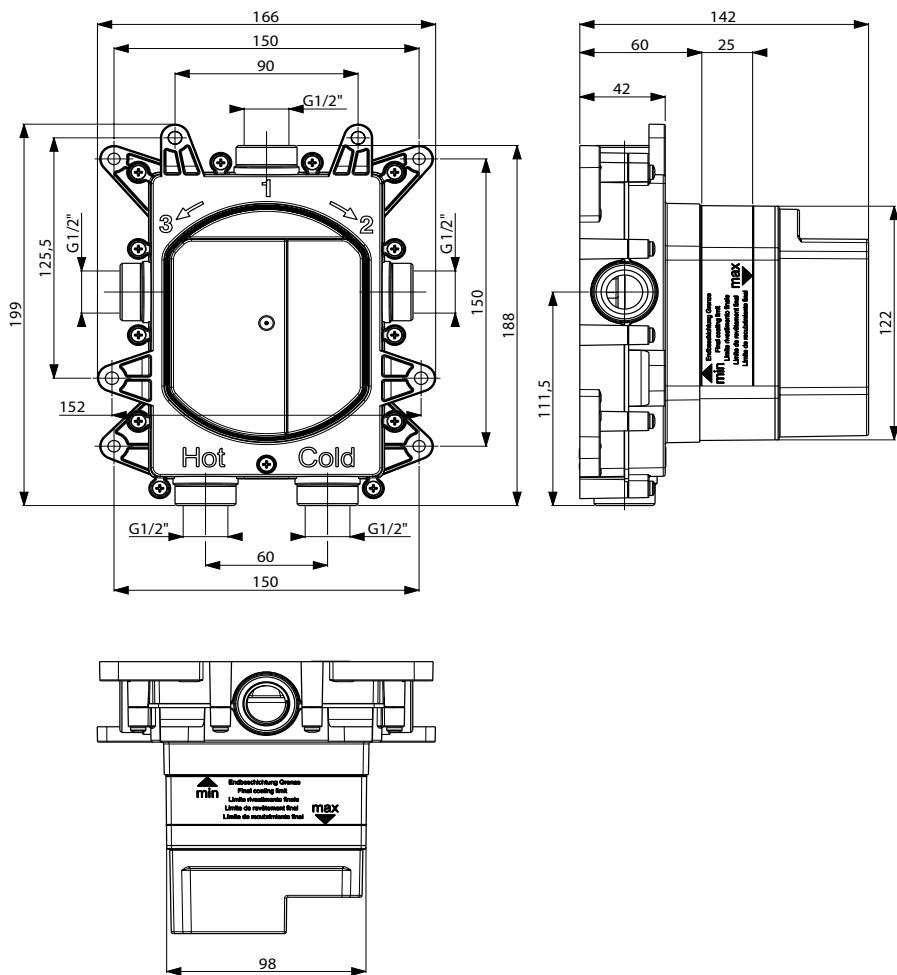
Max. recommended: 65° C

Recommended thermal differential 50° C

Thermal disinfection is allowed.

Safety system with flow stop in case of lack of one of the two waters.

Warning: contact the plumber for the choice of the best water heating device.

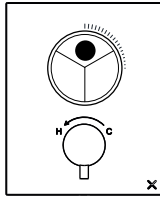


| Press. | FLOW RATE (L/min) | | | |
|--------|---------------------|------|--------|------|
| | Push button 2 ways | | | |
| | Exit 1 | | Exit 2 | |
| | | | | |
| bar | min. | max. | min. | max. |
| 0,5 | 1,5 | 7,5 | 1,5 | 7,5 |
| 1 | 2,3 | 11,3 | 2,3 | 11,2 |
| 2 | 3,5 | 16,5 | 3,5 | 16 |
| 3 | 4,5 | 20,5 | 4,5 | 20 |
| 4 | 5,5 | 23,7 | 5,2 | 22,8 |
| 5 | 5,7 | 26,5 | 5,7 | 25,5 |

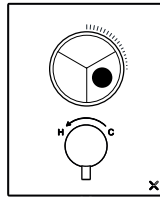
Press.

FLOW RATE (L/min)

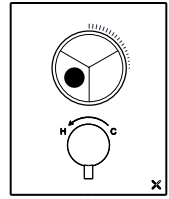
Push button 3 ways



Exit 1



Exit 2



Exit 3

bar

min. max.

min. max.

min. max.

0,5

1,8 8,1

1,8 7,7

1,8 7,7

1

2,7 11,8

2,6 11,5

2,6 11,5

2

3,9 16,8

3,9 16,7

3,9 16,7

3

4,8 20,7

4,8 20,5

4,8 20,5

4

5,5 24

5,5 23,7

5,5 23,7

5

6,2 26,7

6,2 26,6

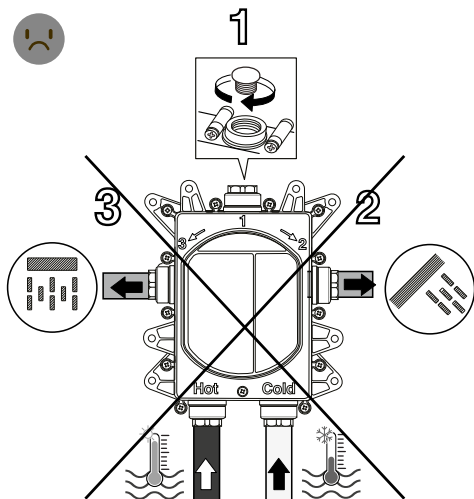
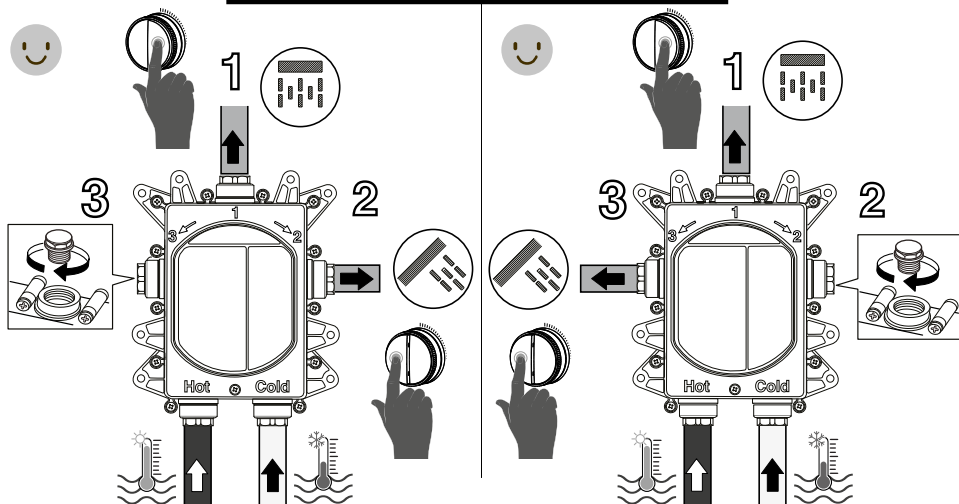
6,2 26,6



2 WAYS - ONLY PUSH VERSION



ATTENTION:
indications valid only
for PUSH VERSION!



**3 WAYS - ONLY PUSH VERSION**

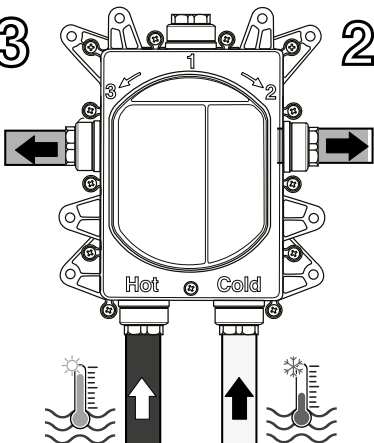
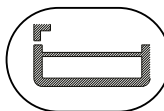
ATTENTION:
indications valid only
for PUSH VERSION!



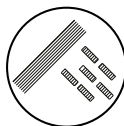
1

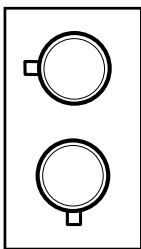
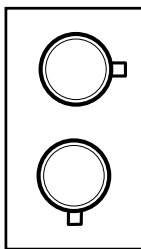
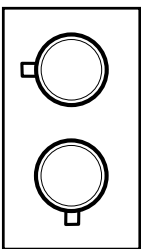
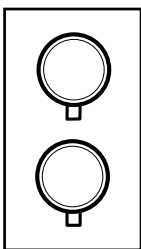


3



2

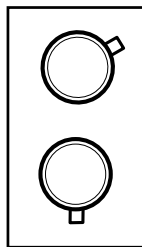


| Press. | FLOW RATE (L/min) | | | |
|--------|---|---|---|--|
| | Term. 1 way | Term. 2 way | | |
| |  |  |  |  |
| bar | Exit 1/2/3 | Exit 2 | Exit 3 | Mix |
| 0,5 | 8,2 | 8,2 | 8,2 | 9,2 |
| 1 | 11,7 | 11,7 | 11,7 | 13,2 |
| 2 | 16,7 | 16,4 | 16,4 | 18,7 |
| 3 | 20,7 | 20 | 20 | 22,9 |
| 4 | 24 | 23 | 23 | 26,4 |
| 5 | 26,6 | 25,8 | 25,8 | 29,5 |

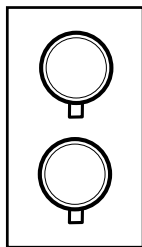
Press.

FLOW RATE (L/min)

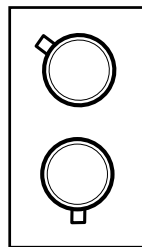
Term. 3 ways



Exit 1



Exit 2



Exit 3

bar

0,5

9,4

8,1

8,1

1

13,4

11,6

11,6

2

19,2

16,6

16,6

3

23,7

20,5

20,5

4

27,4

23,8

23,8

5

30,5

26,6

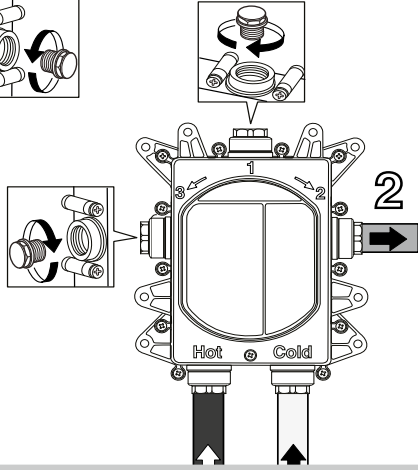
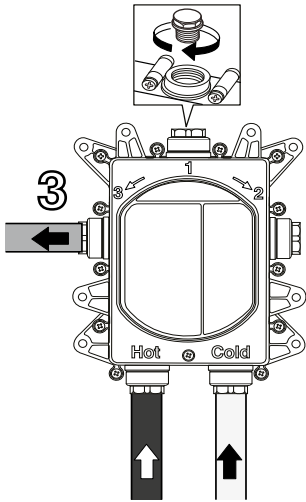
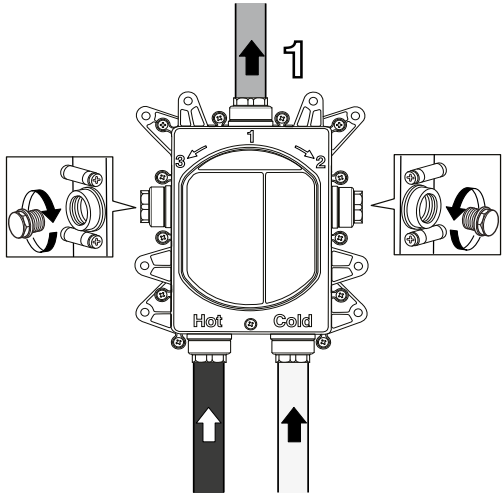
26,6



ATTENTION:
indications valid only
for **OTHER VERSIONS!**

Use hemp or teflon

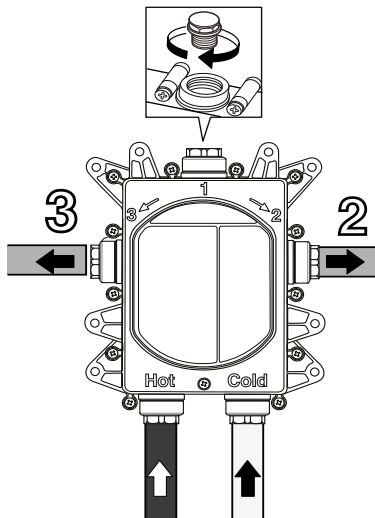
1 way



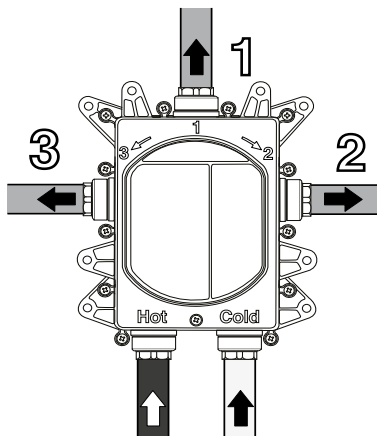


ATTENTION:
indications valid only
for **OTHER VERSIONS!**

2 ways

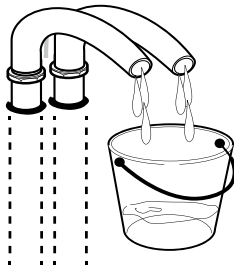
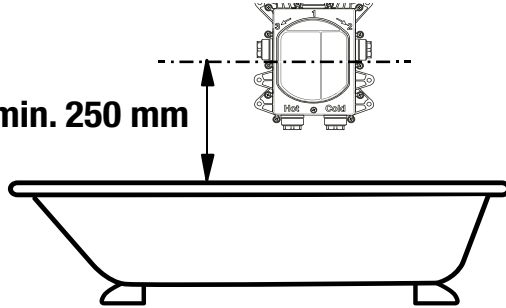


3 ways

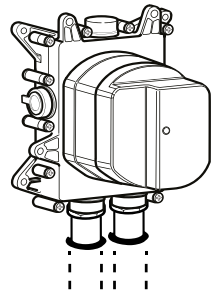
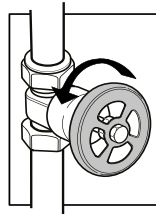


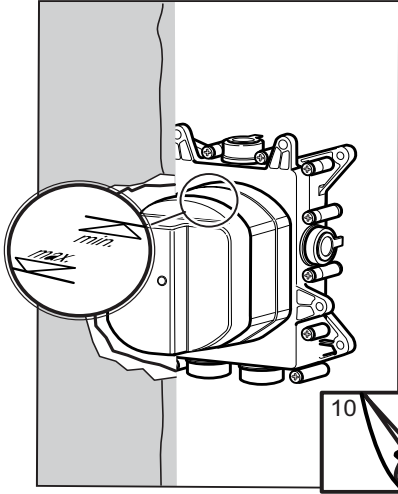


min. 250 mm

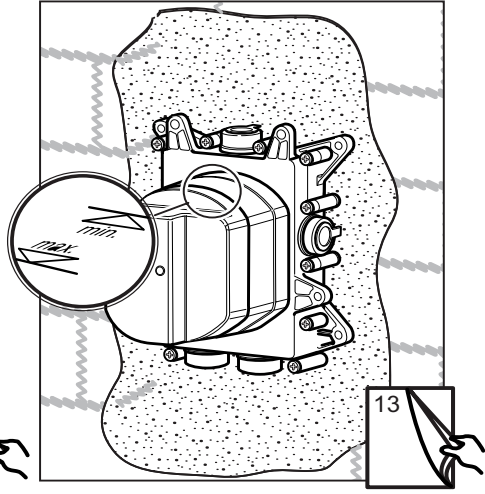


1° → 2°

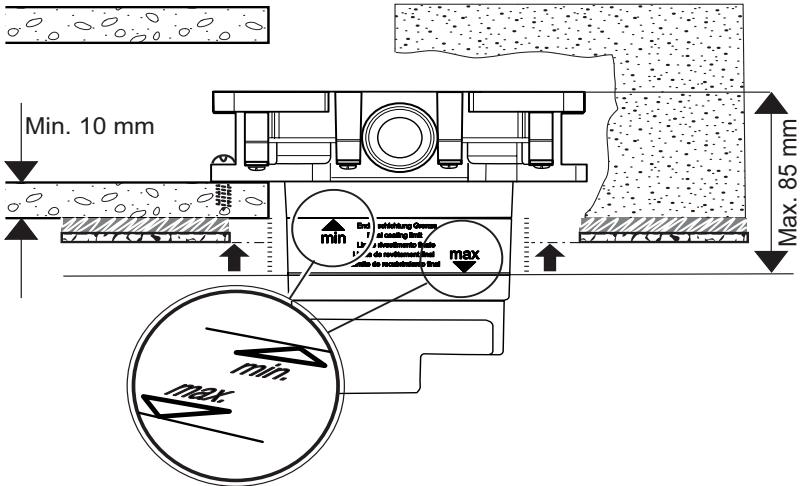


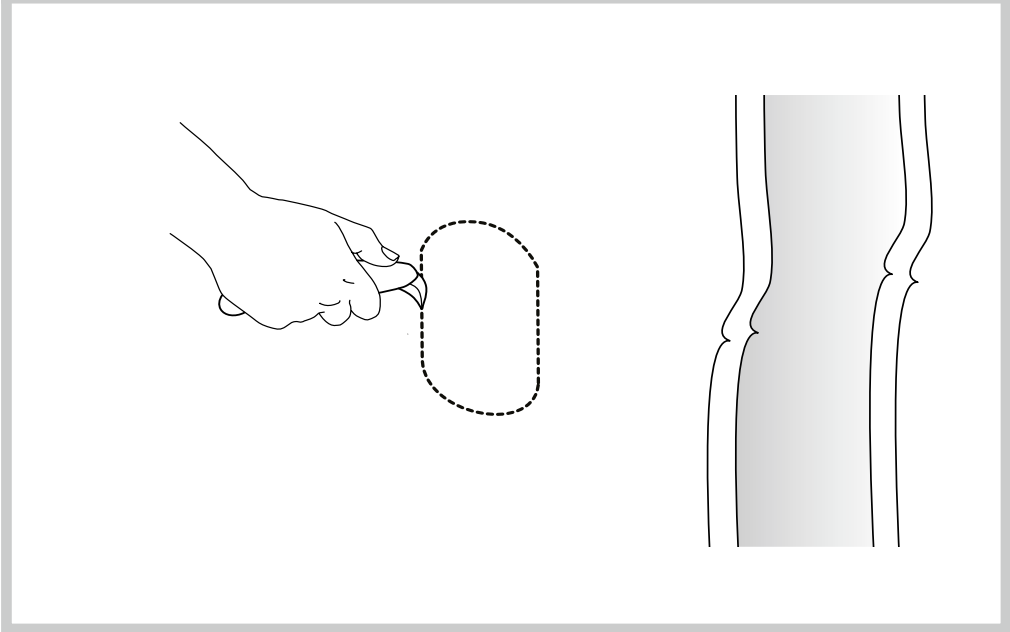
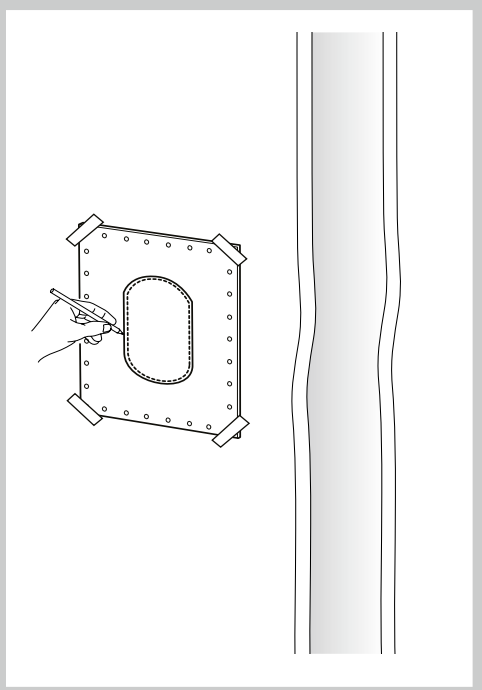
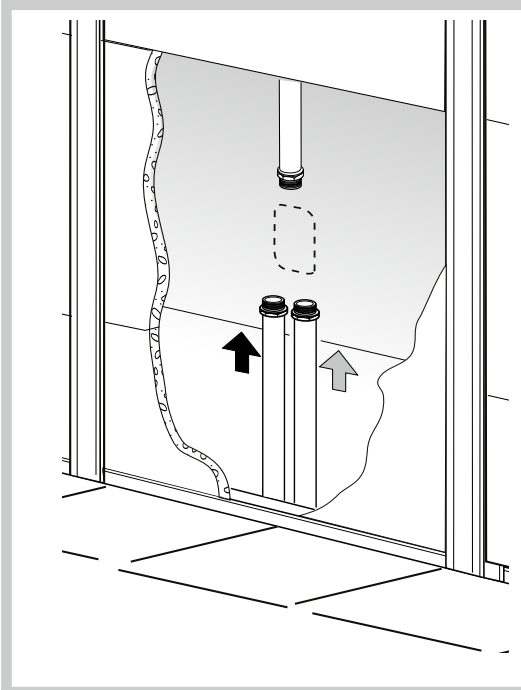


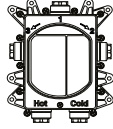
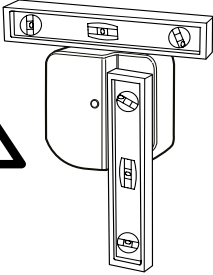
Mounting on plasterboard wall



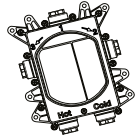
Wall mounting



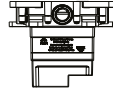




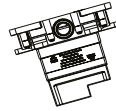
OK



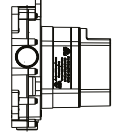
NO



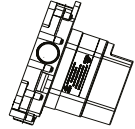
OK



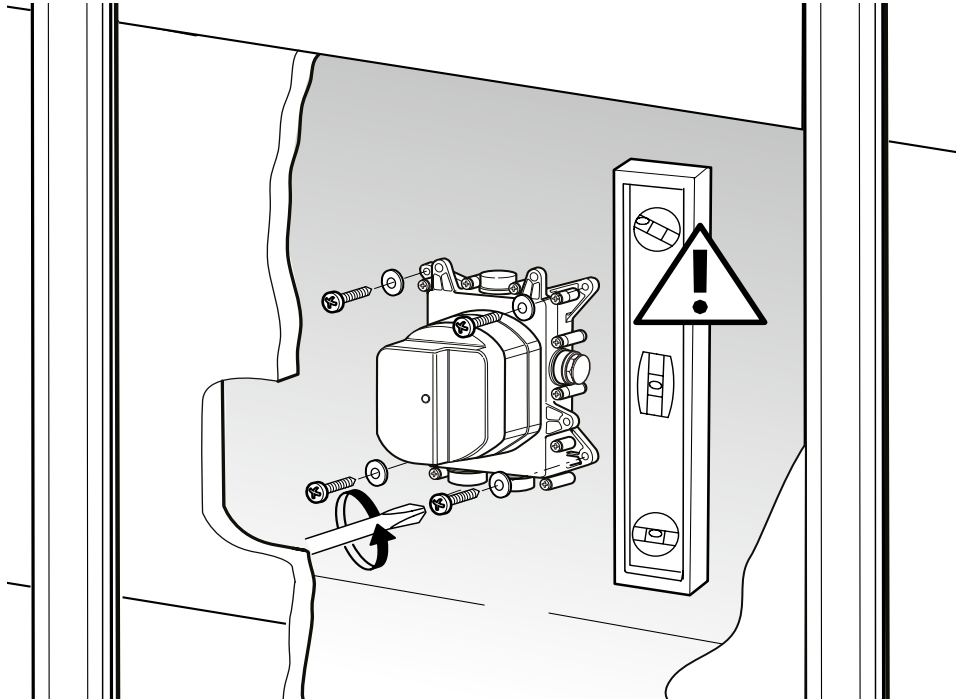
NO

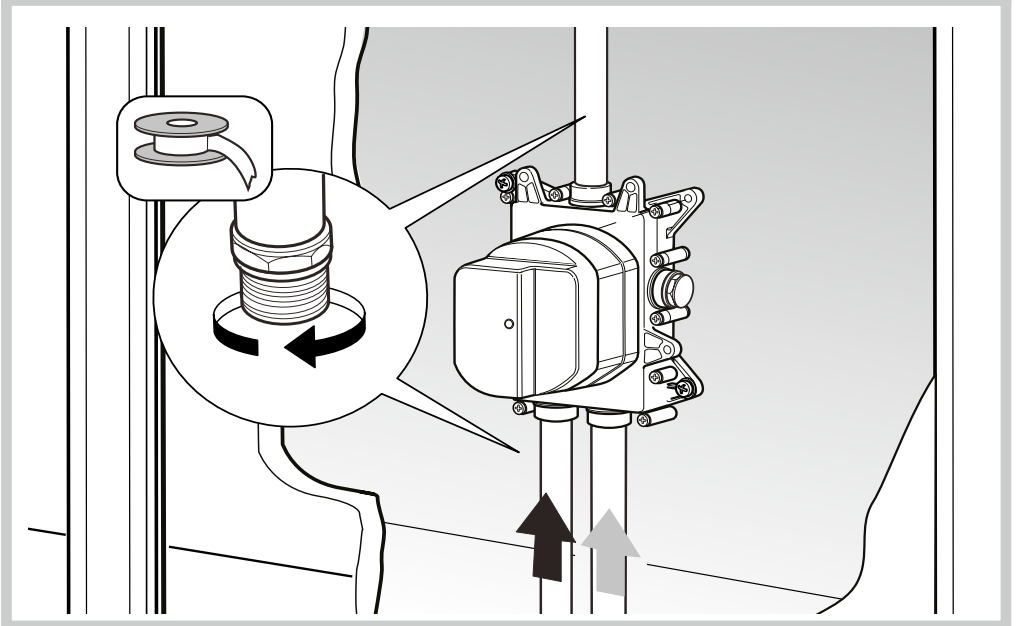
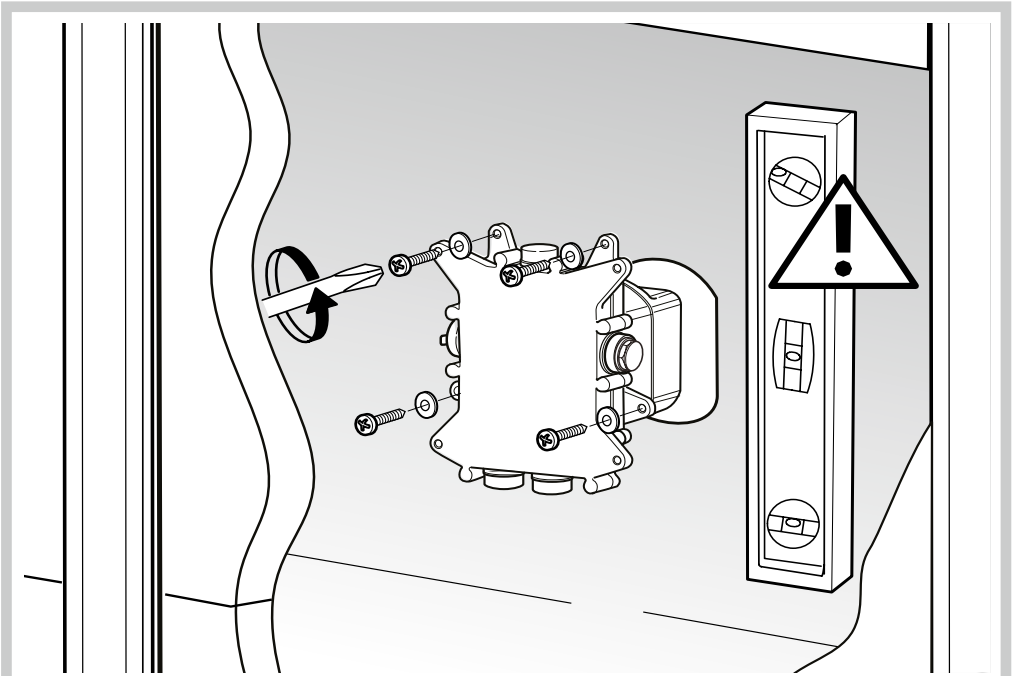


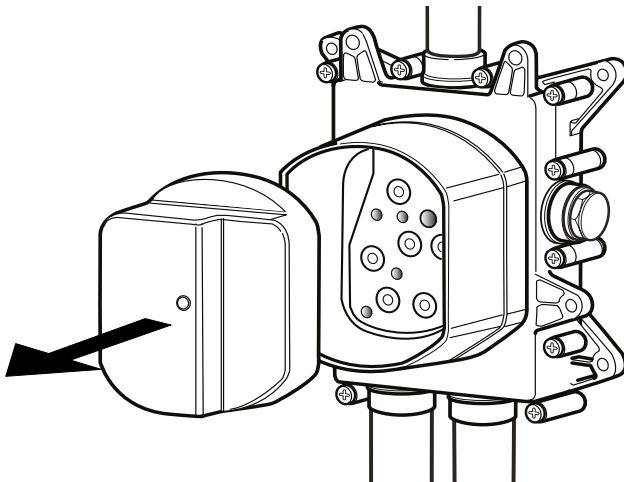
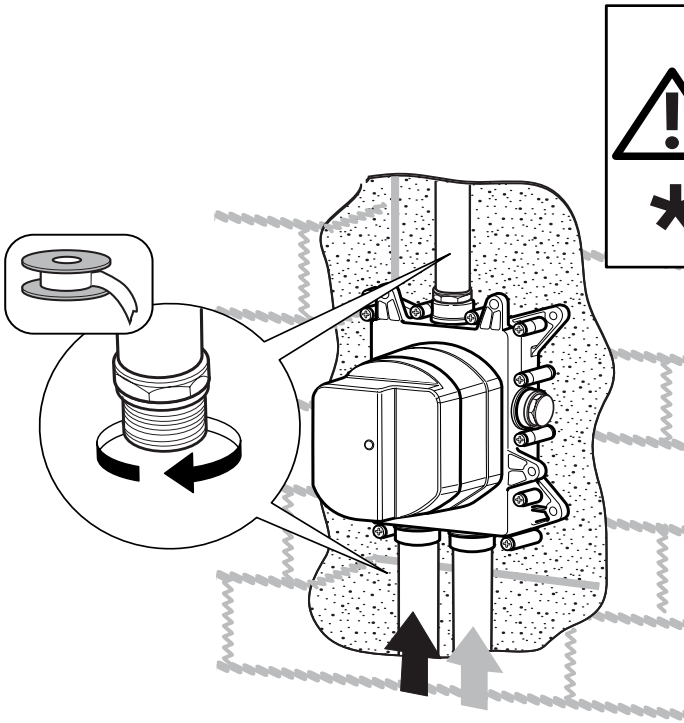
OK

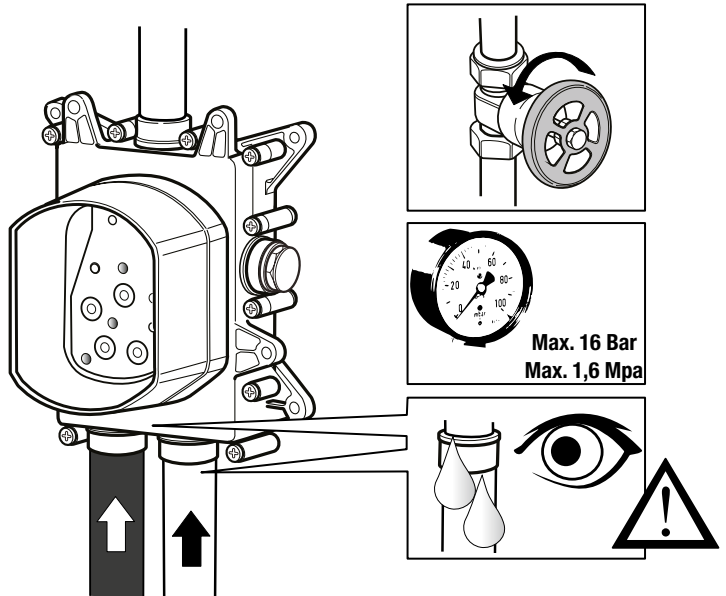
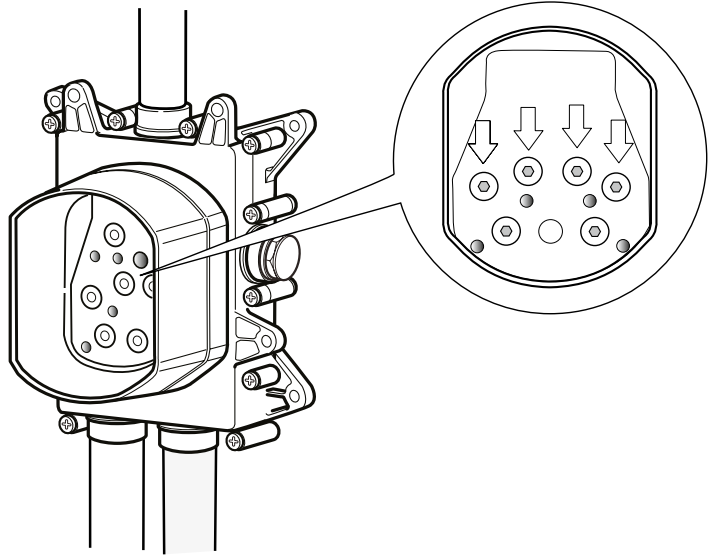


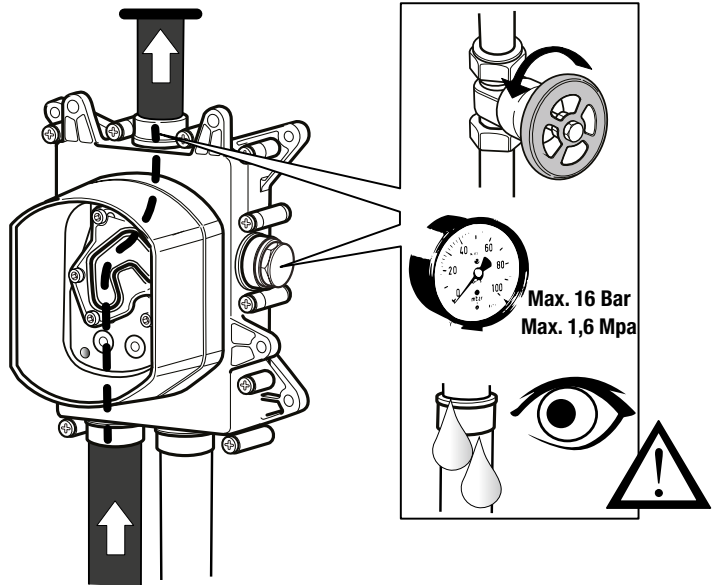
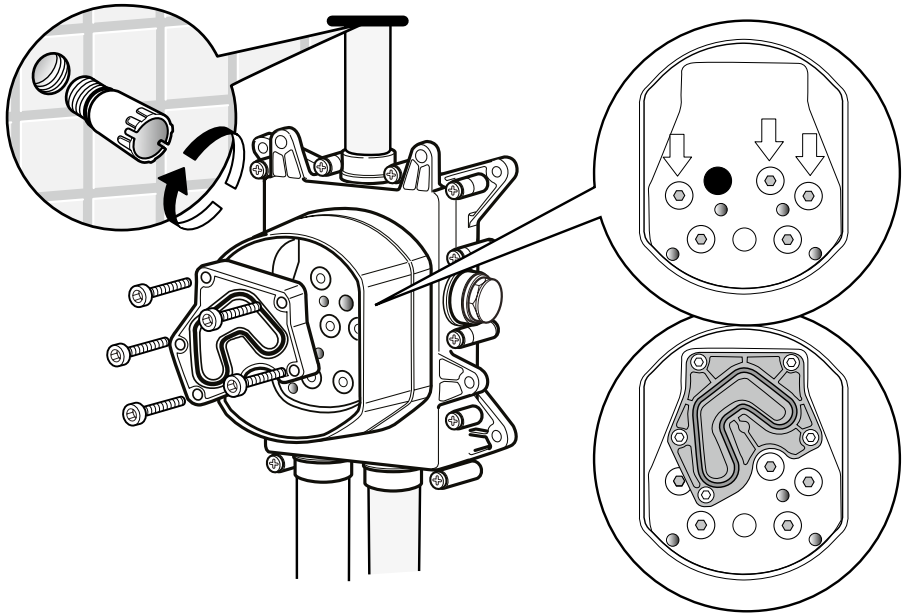
NO

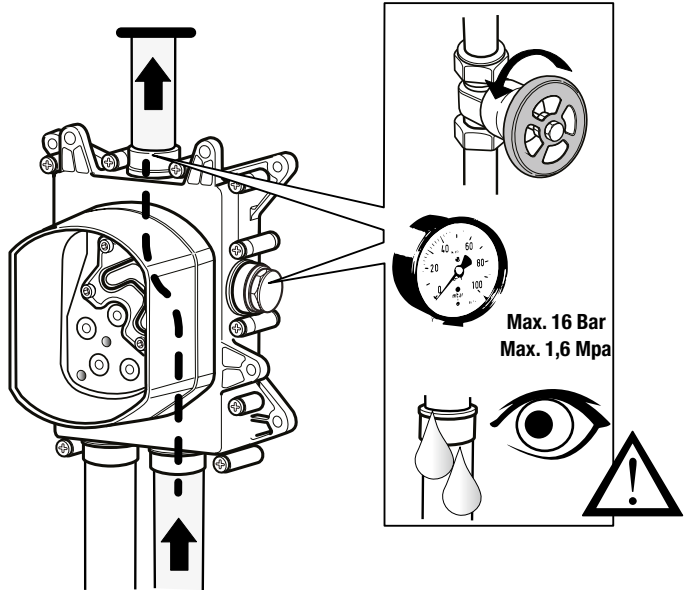
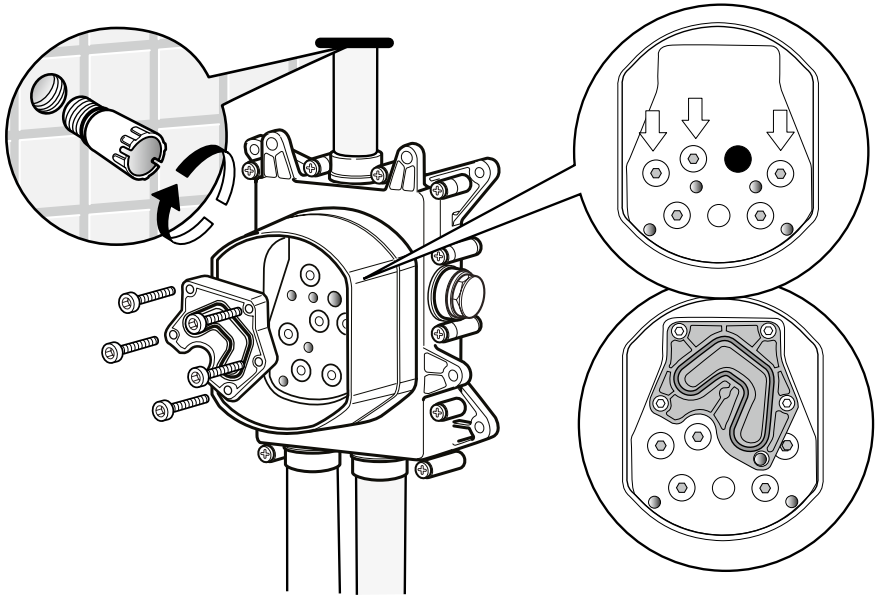


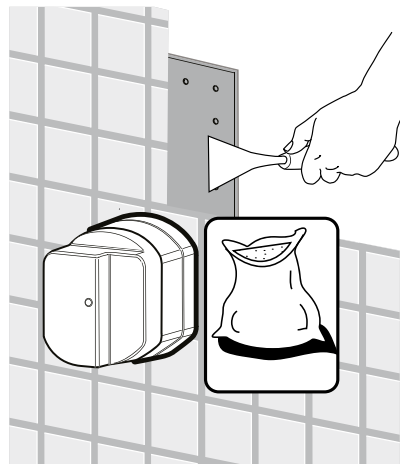
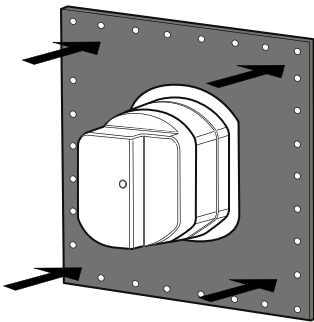
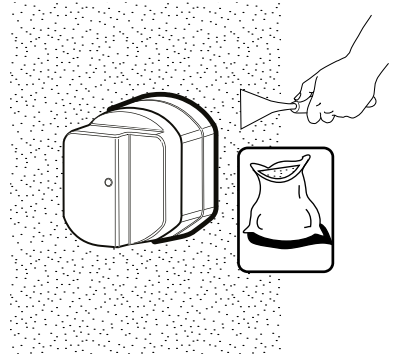
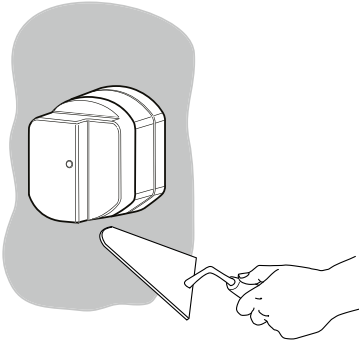












This product should only be fitted by a qualified plumber to NVQ (National Vocational Qualification) or SNVQ (Scottish National Vocational Qualification) Level 3. Should the installation be completed by a non-qualified person then the guarantee may be considered invalid.

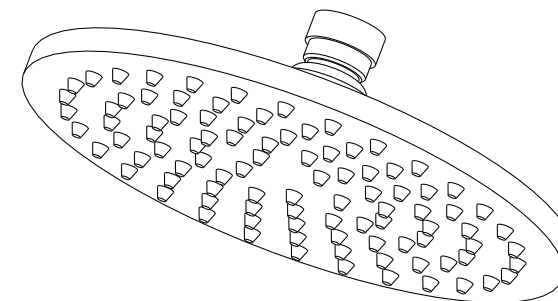
For a claim made under our warranty written certification of your installers credentials can be required. For further information or to find a qualified installer in your area please visit the Institute of Plumbers website - www.iphe.org.uk

THE QUALIFICATIONS

At present, to be a plumber you need to follow the National Vocational Qualification (NVQ) route (Scottish National Vocational Qualification - SNVQ - in Scotland). These qualifications are made up of theory and practical work in the classroom/purpose built training facility and work based experience with a working plumber. Colleges should help students find a work placement, although many students organise it themselves.

The S/NVQ qualification works in levels. All recently qualified plumbers should hold S/NVQ Level 2 as basic with Level 3 as the preferred level. Level 2 will give you the foundation you need for a career in plumbing and teach you domestic plumbing to a satisfactory level. Level 3 is more comprehensive and deals with domestic, commercial and industrial plumbing along with aspects such as gas - if you want to one day set up your own business, this is the level to reach. The Institute of Plumbing and Heating Engineering, and the industry as a whole recommends that all plumbers reach a minimum of Level 3.

Reaching Level 3 has other advantages. The Institute runs a Master Plumber Certificate, which only those attaining Level 3 or equivalent can reach as long as they have the relevant experience as well. Those with S/NVQ Level 3 can (once in membership with the Institute for five years as a Member MIPHE) gain Engineering Technician EngTech status with the Engineering Council (UK).



For any further information please contact
Crosswater on: **0845 873 8840**

Or visit our web-site at www.crosswater.co.uk

The manufacturer reserves the right to make technical
modifications without prior notice.

INSTALLATION INSTRUCTIONS

INTRODUCTION

Please read these instructions carefully and keep in a safe place for future reference.

General Installation Requirements.

The installation must comply with regulations of the Local Water Authority as contained in their bylaws. All of the taps in this range are single flow (the hot and cold water mix in the body) and should therefore be supplied with hot and cold water at balanced pressures, both from the tank or both from the mains (via a combination boiler for example). If the taps are not supplied at balanced pressures then the mixer will not function correctly. It will also be necessary to fit non-return valves on both hot and cold feeds. It is very important that all pipework is flushed thoroughly after installation to avoid damaging the ceramic discs.

Minimum/Maximum working pressure

These taps are suitable for high and mid pressure installations. They are fitted with a quarter turn ceramic disc cartridge which provides a good flow rate with very smooth movement. To ensure that the bath filler works adequately under low pressure, the cold water storage tank should be at least 2 metres above the highest installed position. The maximum water pressure is 4 bar (note: mains cold water is normally supplied at between 2 and 3bar). For installations where the mains pressure exceeds 4 bar a pressure reducing valve should be fitted.

Approvals

All products are manufactured using materials tested and approved under the Water Bylaws Scheme and comply with requirements of British Standard 5412:1996 where applicable.

Preparation and byelaw requirements

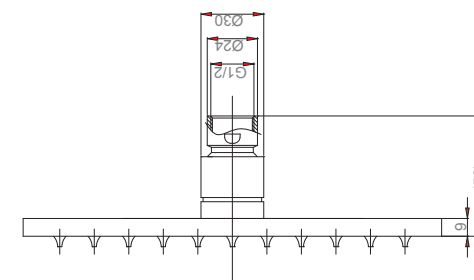
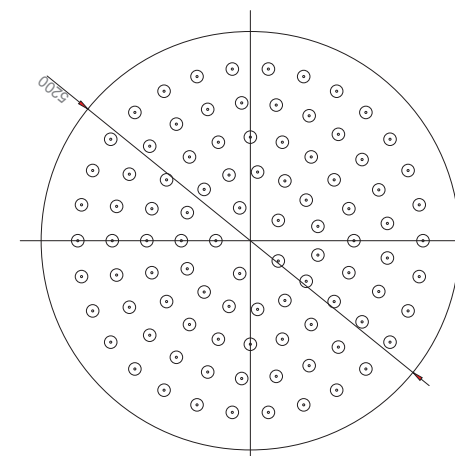
These taps are single flow so the hot and cold water mix in the body. Water byelaws require that where the hot water is supplied from a tank and cold from the mains, non return valves are fitted on both hot and cold pipes as close as possible to the tap. These are not supplied. Where combination boilers are fitted it is only necessary to shut off the incoming mains and turn the boiler off and non return valves are not required.

WARNING

Before installing the new mixer it is essential that you thoroughly flush through the supply pipes in order to remove any remaining swarf, solder or other impurities. Failure to carry out this simple procedure could cause problems or damage to the working of the mixer.

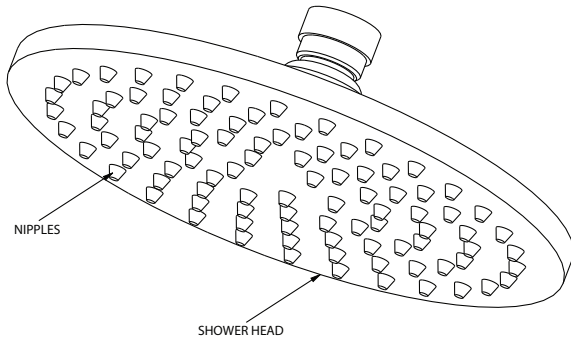
These hints have been prepared for your guidance, you must exercise due care at all times. We do not accept responsibility for any problems that may occur through incorrect installation.

DIMENSIONS






NOTE: ALL DIMENSIONS IN MILLIMETRES

INSTALLATION



INSTALLATION

INSTALLATION

-  Remember to turn off the mains water supply before connecting to any existing pipe work.
Warning! Please check for any hidden pipes and cables before drilling holes in the wall.
-  Do not use tapered threaded adaptors or excessive thickness of sealing tape as this may damage the valve body and result in a concealed leak within the wall cavity.
-  Turn on supplies and test all connections for water tightness.

MAINTENANCE

This product should only be fitted by a qualified plumber to NVQ (National Vocational Qualification) or SNVQ (Scottish National Vocational Qualification) Level 3. Should the installation be completed by a non-qualified person then the guarantee may be considered invalid.

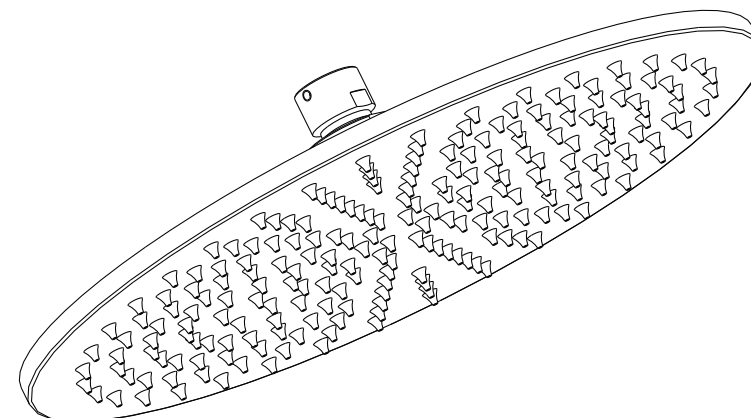
For a claim made under our warranty written certification of your installers credentials can be required. For further information or to find a qualified installer in your area please visit the Institute of Plumbers website - www.iphe.org.uk

THE QUALIFICATIONS

At present, to be a plumber you need to follow the National Vocational Qualification (NVQ) route (Scottish National Vocational Qualification - SNVQ - in Scotland). These qualifications are made up of theory and practical work in the classroom/purpose built training facility and work based experience with a working plumber. Colleges should help students find a work placement, although many students organise it themselves.

The S/NVQ qualification works in levels. All recently qualified plumbers should hold S/NVQ Level 2 as basic with Level 3 as the preferred level. Level 2 will give you the foundation you need for a career in plumbing and teach you domestic plumbing to a satisfactory level. Level 3 is more comprehensive and deals with domestic, commercial and industrial plumbing along with aspects such as gas - if you want to one day set up your own business, this is the level to reach. The Institute of Plumbing and Heating Engineering, and the industry as a whole recommends that all plumbers reach a minimum of Level 3.

Reaching Level 3 has other advantages. The Institute runs a Master Plumber Certificate, which only those attaining Level 3 or equivalent can reach as long as they have the relevant experience as well. Those with S/NVQ Level 3 can (once in membership with the Institute for five years as a Member MIPHE) gain Engineering Technician EngTech status with the Engineering Council (UK).



For any further information please contact
Crosswater on: **0845 873 8840**

Or visit our web-site at www.crosswater.co.uk

The manufacturer reserves the right to make technical
modifications without prior notice.

INSTALLATION INSTRUCTIONS

INTRODUCTION

Please read these instructions carefully and keep in a safe place for future reference.

General Installation Requirements.

The installation must comply with regulations of the Local Water Authority as contained in their bylaws. All of the taps in this range are single flow (the hot and cold water mix in the body) and should therefore be supplied with hot and cold water at balanced pressures, both from the tank or both from the mains (via a combination boiler for example). If the taps are not supplied at balanced pressures then the mixer will not function correctly. It will also be necessary to fit non-return valves on both hot and cold feeds. It is very important that all pipework is flushed thoroughly after installation to avoid damaging the ceramic discs.

Minimum/Maximum working pressure

These taps are suitable for high and mid pressure installations. They are fitted with a quarter turn ceramic disc cartridge which provides a good flow rate with very smooth movement. To ensure that the bath filler works adequately under low pressure, the cold water storage tank should be at least 2 metres above the highest installed position. The maximum water pressure is 4 bar (note: mains cold water is normally supplied at between 2 and 3bar). For installations where the mains pressure exceeds 4 bar a pressure reducing valve should be fitted.

Approvals

All products are manufactured using materials tested and approved under the Water Bylaws Scheme and comply with requirements of British Standard 5412:1996 where applicable.

Preparation and byelaw requirements

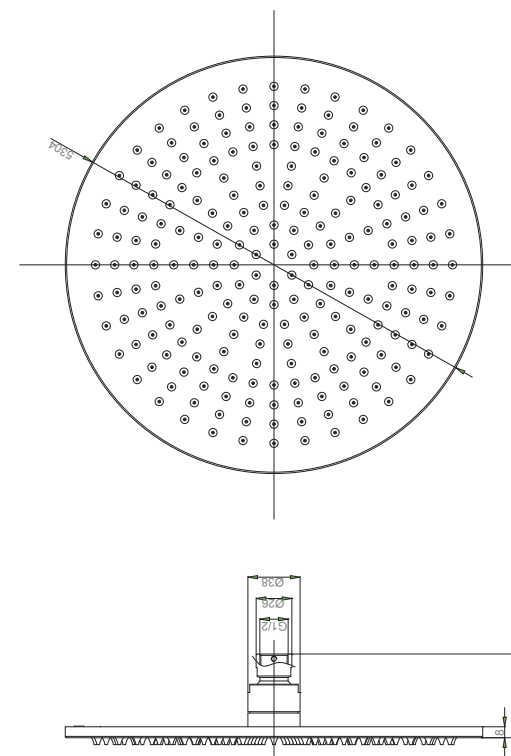
These taps are single flow so the hot and cold water mix in the body. Water byelaws require that where the hot water is supplied from a tank and cold from the mains, non return valves are fitted on both hot and cold pipes as close as possible to the tap. These are not supplied. Where combination boilers are fitted it is only necessary to shut off the incoming mains and turn the boiler off and non return valves are not required.

WARNING

Before installing the new mixer it is essential that you thoroughly flush through the supply pipes in order to remove any remaining swarf, solder or other impurities. Failure to carry out this simple procedure could cause problems or damage to the working of the mixer.

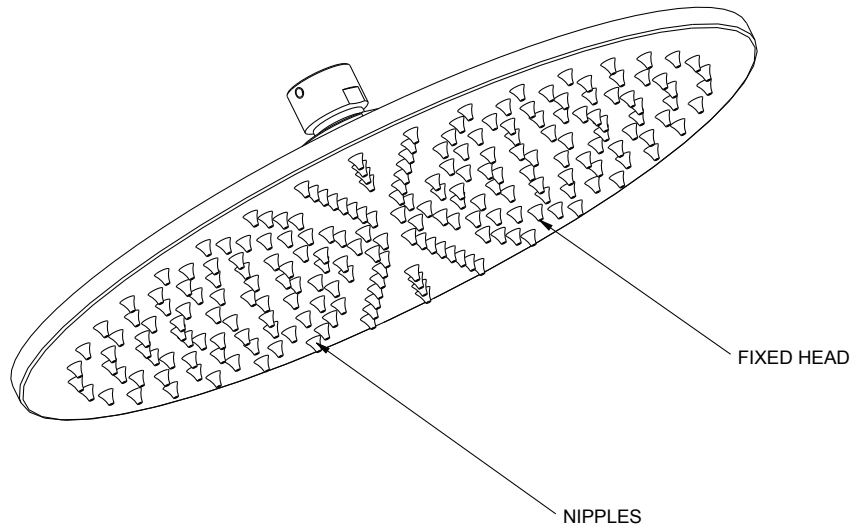
These hints have been prepared for your guidance, you must exercise due care at all times. We do not accept responsibility for any problems that may occur through incorrect installation.

DIMENSIONS






NOTE: ALL DIMENSIONS IN MILLIMETRES

INSTALLATION

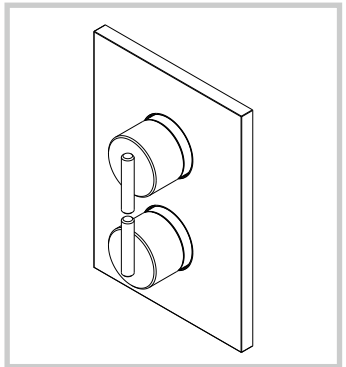
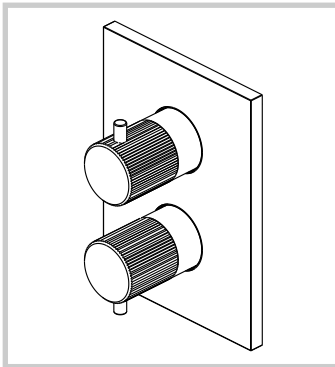
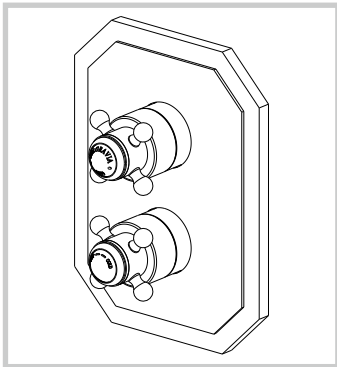
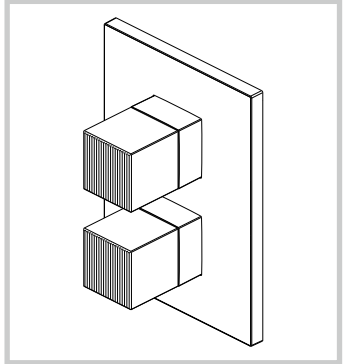
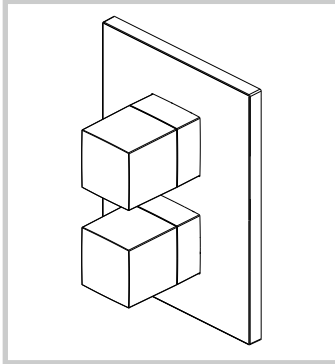
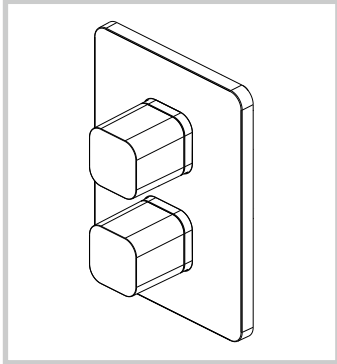
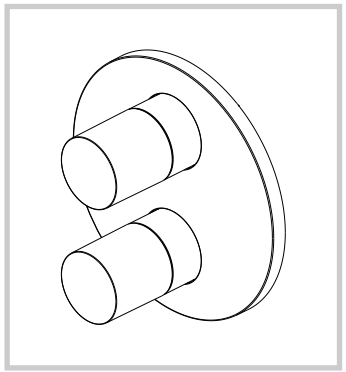
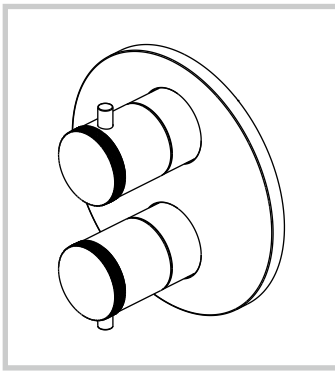
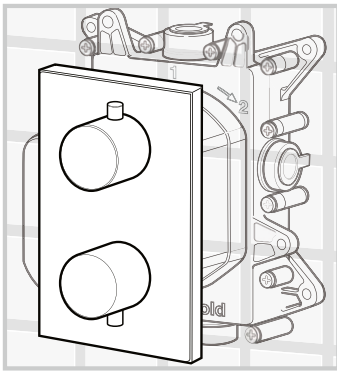


INSTALLATION

INSTALLATION

-  Remember to turn off the mains water supply before connecting to any existing pipe work.
Warning! Please check for any hidden pipes and cables before drilling holes in the wall.
-  Do not use tapered threaded adaptors or excessive thickness of sealing tape as this may damage the valve body and result in a concealed leak within the wall cavity.
-  Turn on supplies and test all connections for water tightness.

MAINTENANCE



COMPLETION CONCEALED BOX

MOUNTING INSTRUCTIONS

Pressure range min/max 0,5/5 bar

(in case of water pressure higher than 5 bar we recommend installing pressure reducers).

Recommended pressure 3 bar.

Operation:

Either with gas or electric accumulation boilers.

Centralised systems.

The product should only be installed by a suitably qualified plumber/installer.

Safety lock at: 41° C

Min. Working temperature: 3° C

Min. recommended: 15° C

Max. Working temperature: 70° C

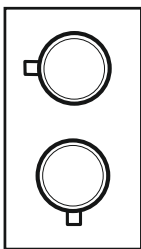
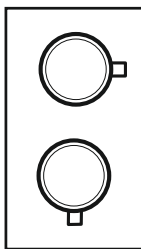
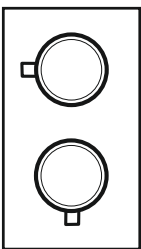
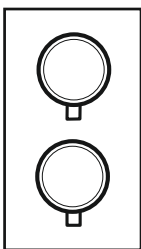
Max. recommended: 65° C

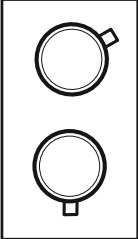
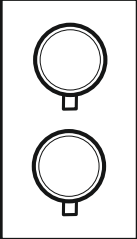
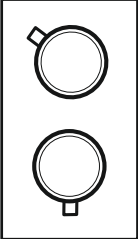
Recommended thermal differential 50° C

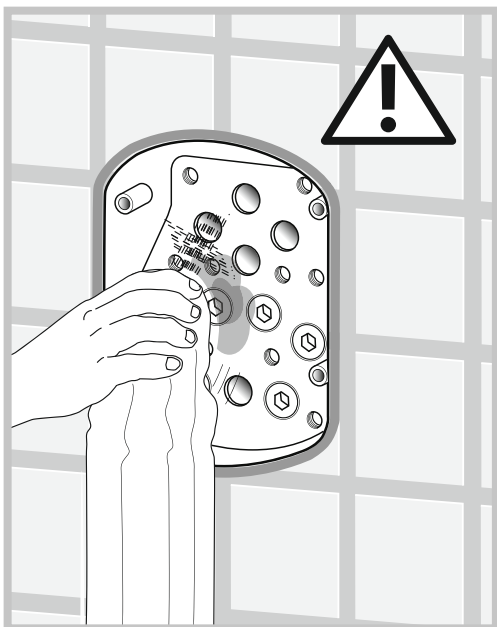
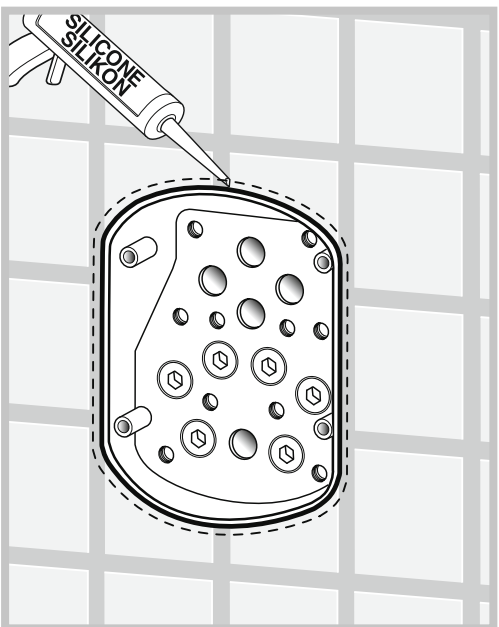
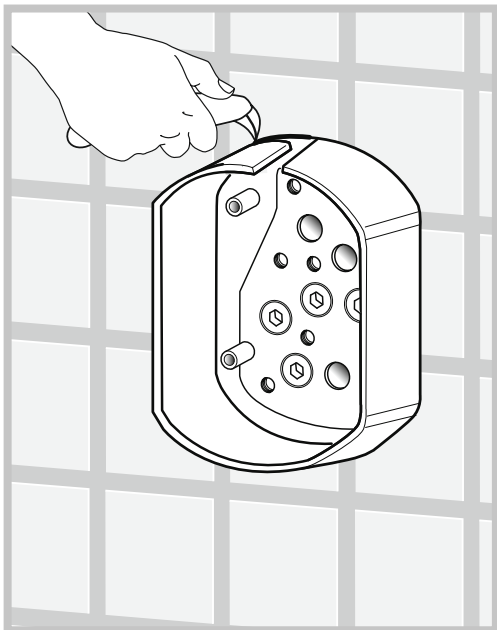
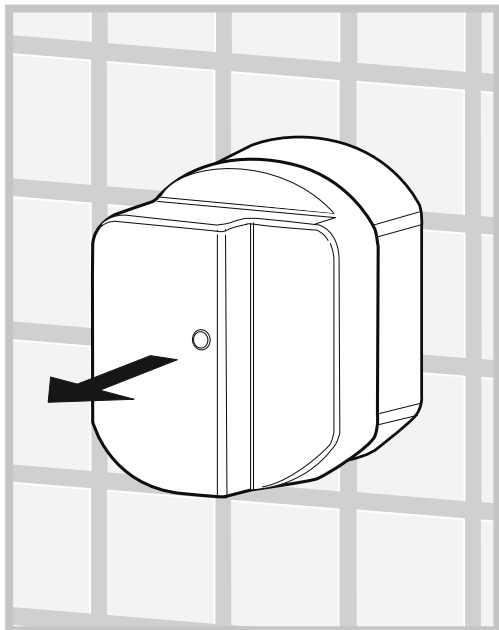
Thermal disinfection is allowed.

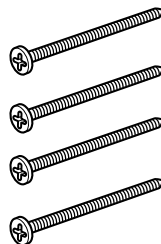
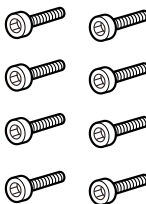
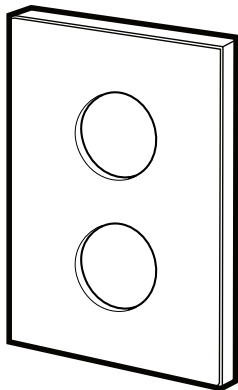
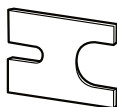
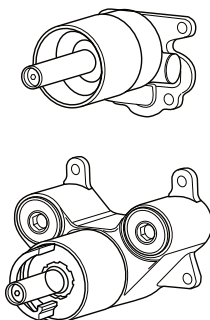
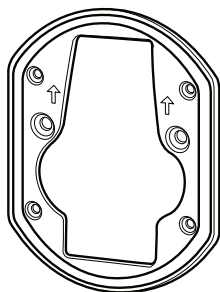
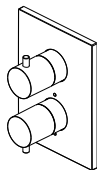
Safety system with flow stop in case of lack of one of the two waters.

Warning: contact the plumber for the choice of the best water heating device.

| Press. | FLOW RATE (L/min) | | | |
|--------|---|---|---|--|
| | Term. 1 way | Term. 2 way | | |
| |  |  |  |  |
| bar | Exit 1/2/3 | Exit 2 | Exit 3 | Mix |
| 0,5 | 8,2 | 8,2 | 8,2 | 9,2 |
| 1 | 11,7 | 11,7 | 11,7 | 13,2 |
| 2 | 16,7 | 16,4 | 16,4 | 18,7 |
| 3 | 20,7 | 20 | 20 | 22,9 |
| 4 | 24 | 23 | 23 | 26,4 |
| 5 | 26,6 | 25,8 | 25,8 | 29,5 |

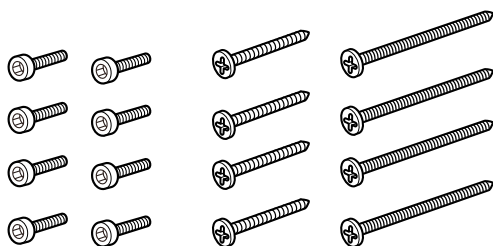
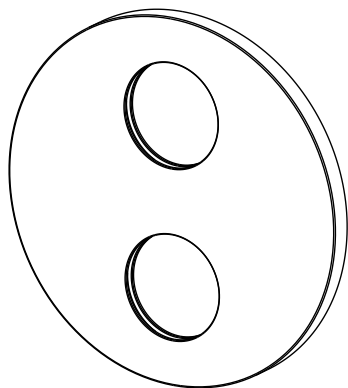
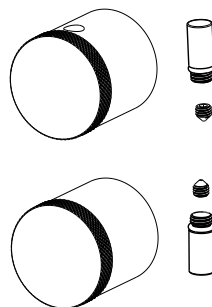
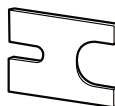
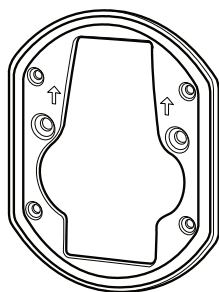
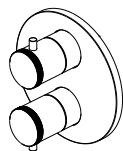
| Press. | FLOW RATE (L/min) | | |
|--------|---|---|---|
| | Term. 3 ways | | |
| |  |  |  |
| bar | Exit 1 | Exit 2 | Exit 3 |
| 0,5 | 9,4 | 8,1 | 8,1 |
| 1 | 13,4 | 11,6 | 11,6 |
| 2 | 19,2 | 16,6 | 16,6 |
| 3 | 23,7 | 20,5 | 20,5 |
| 4 | 27,4 | 23,8 | 23,8 |
| 5 | 30,5 | 26,6 | 26,6 |





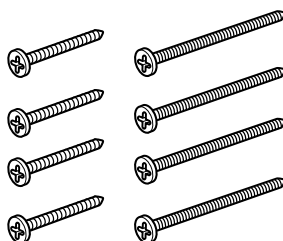
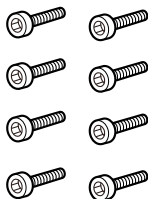
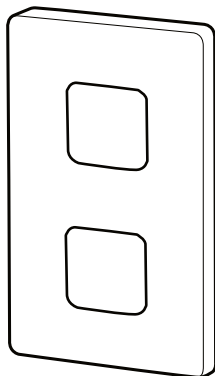
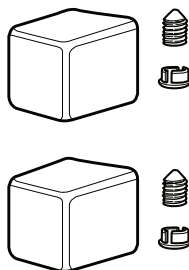
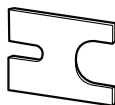
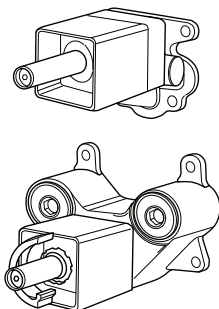
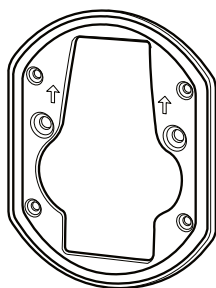
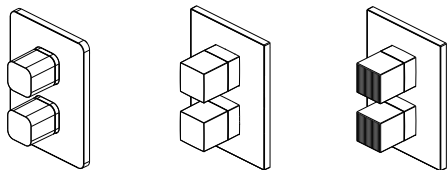
GB Mounting Instructions





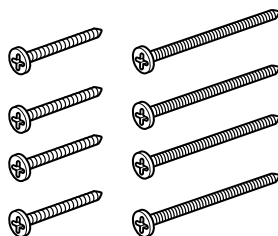
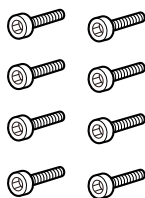
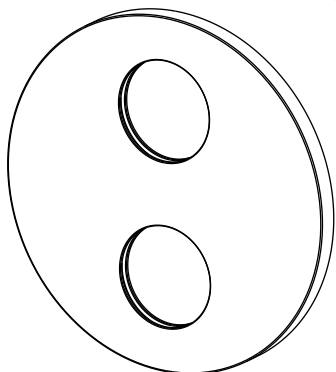
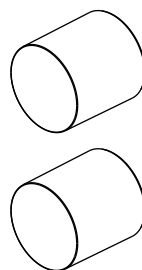
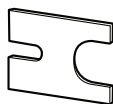
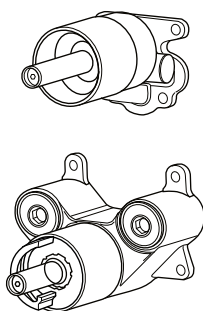
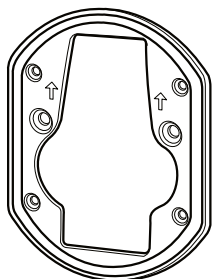
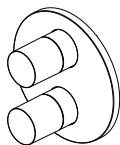
GB Mounting Instructions



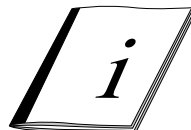


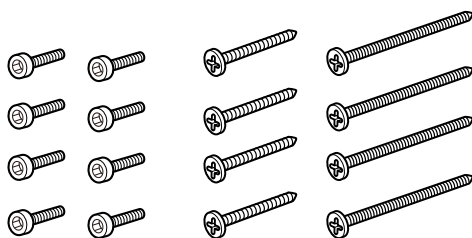
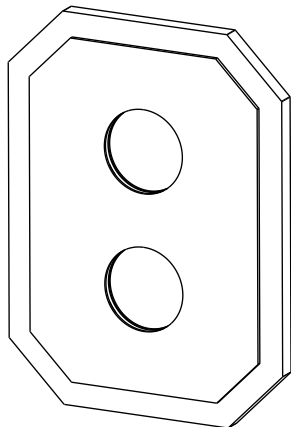
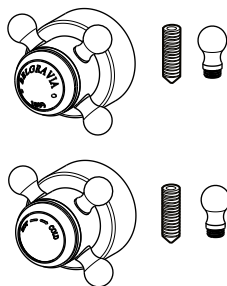
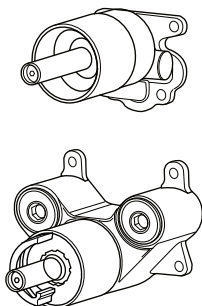
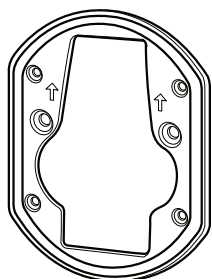
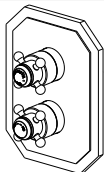
GB Mounting Instructions





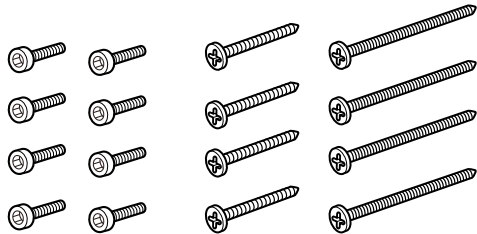
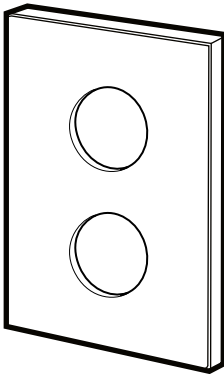
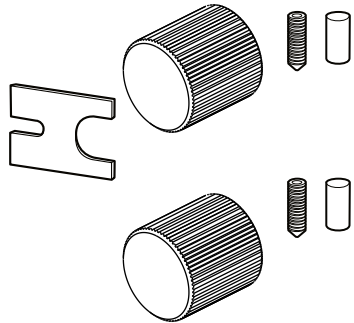
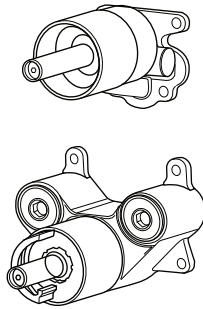
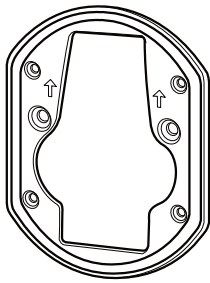
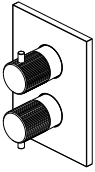
GB Mounting Instructions





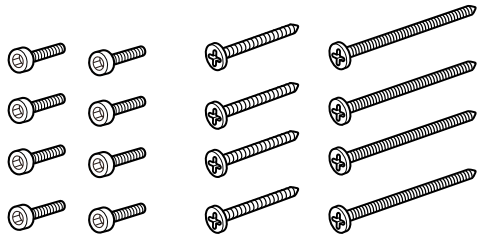
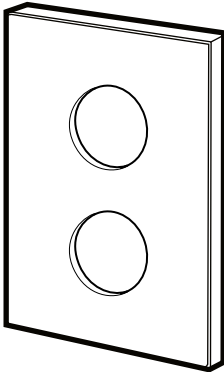
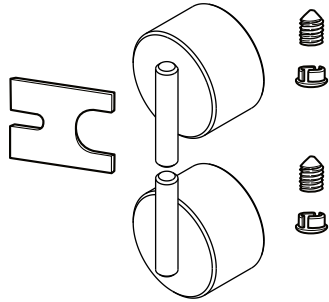
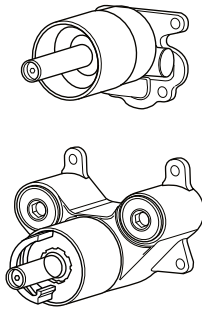
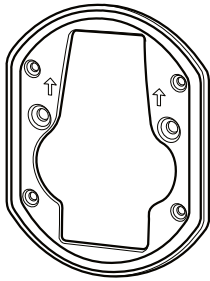
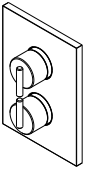
GB Mounting Instructions





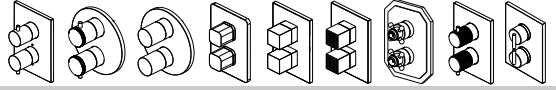
GB Mounting Instructions



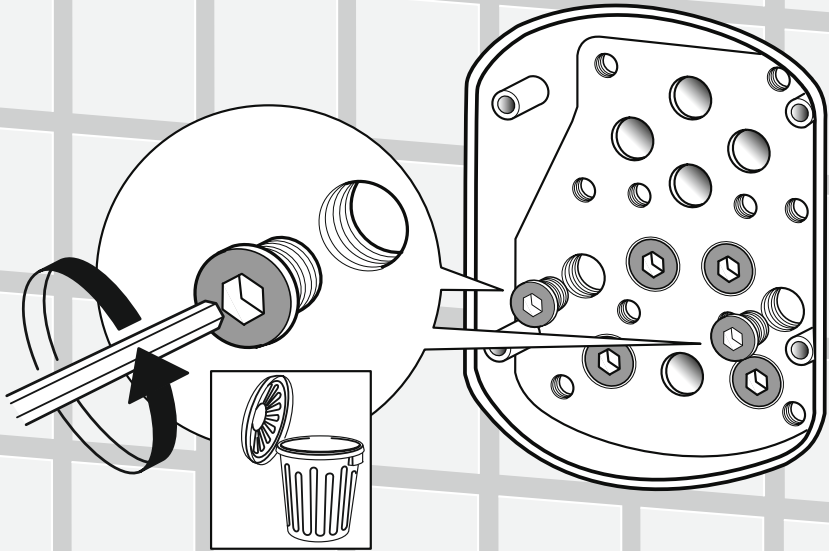


GB Mounting Instructions

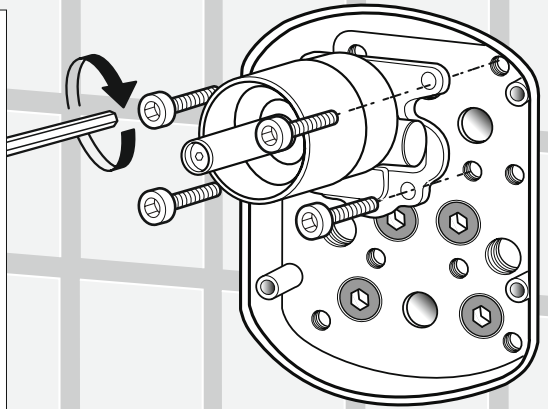
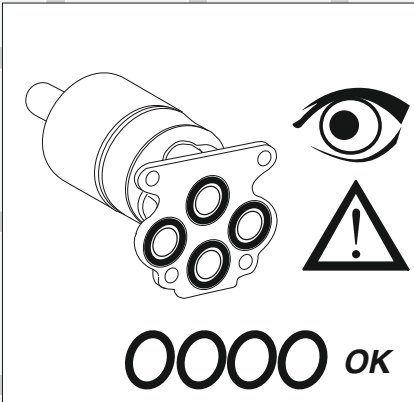




1

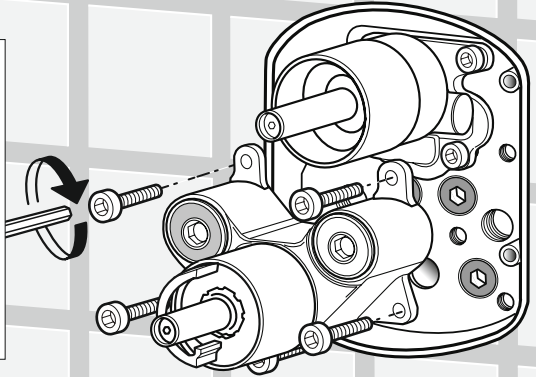
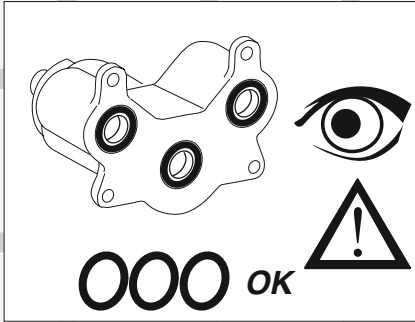


2

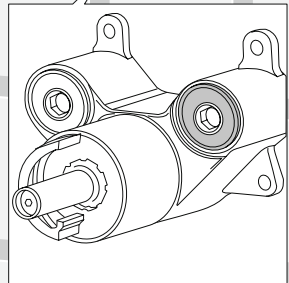
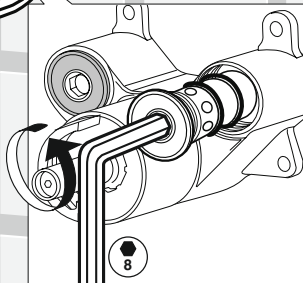
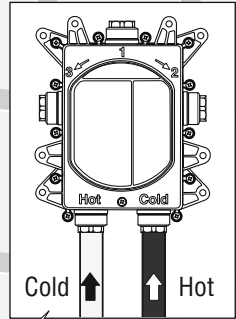
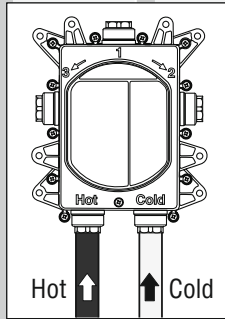
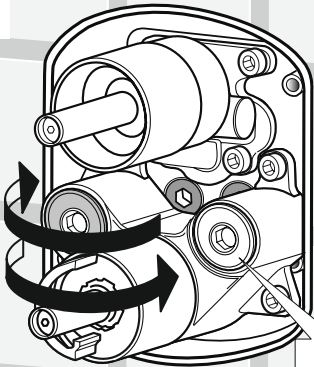




3

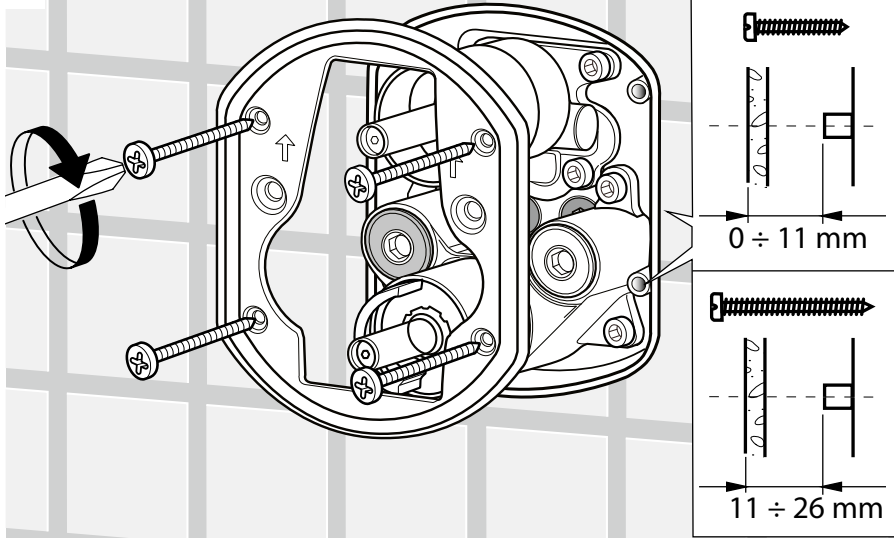


4

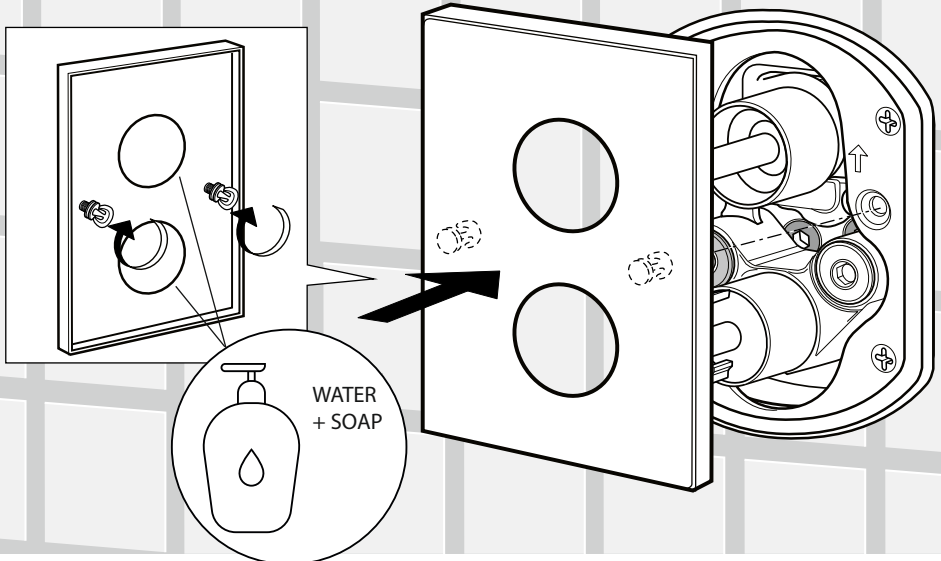




5

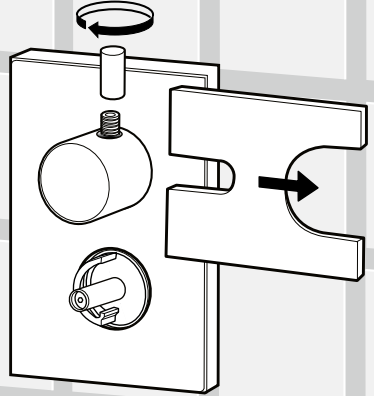
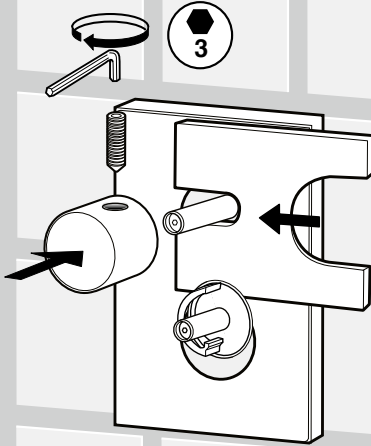


6A

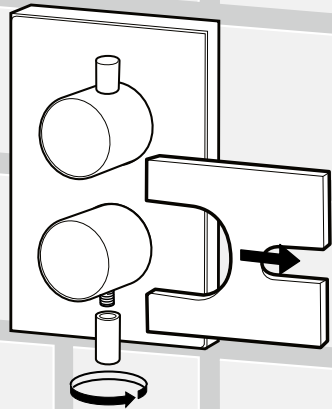
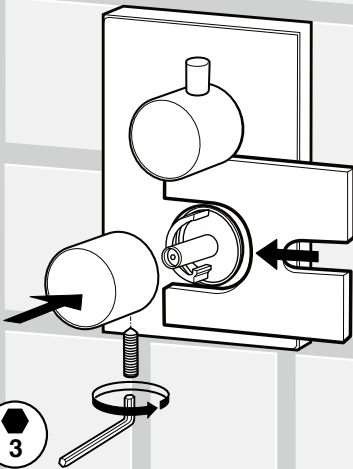




7A

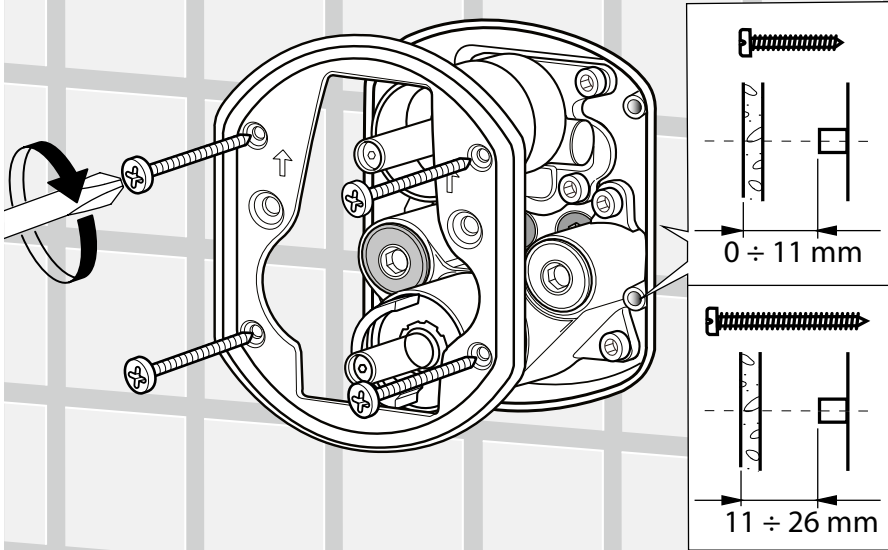


8A

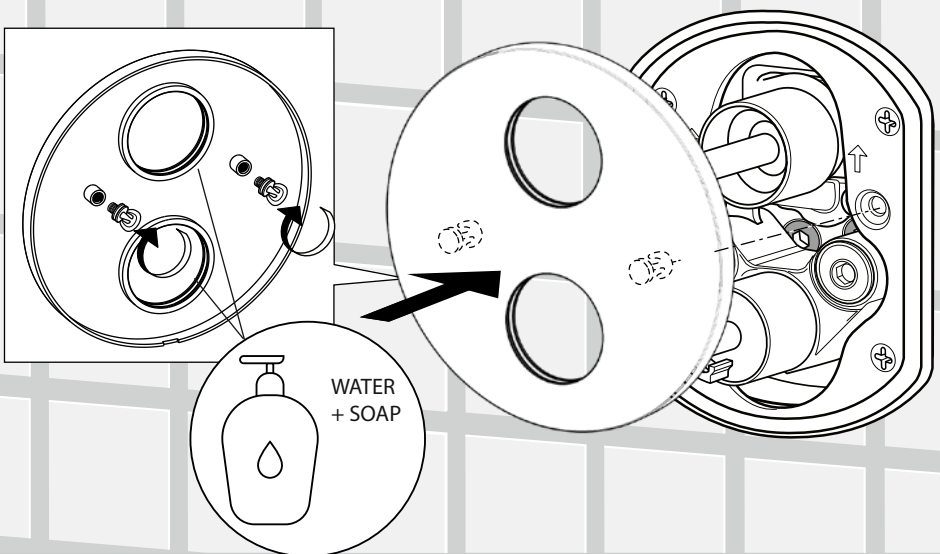




5

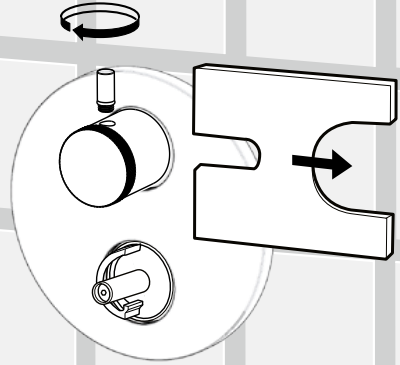
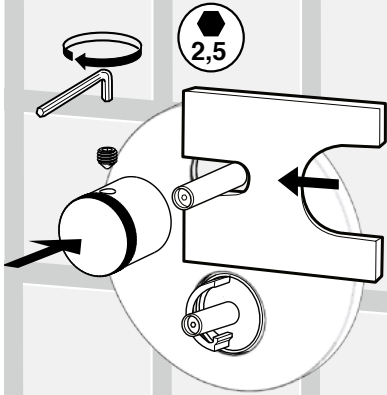


6B

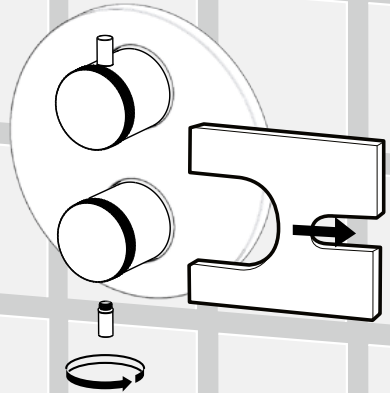
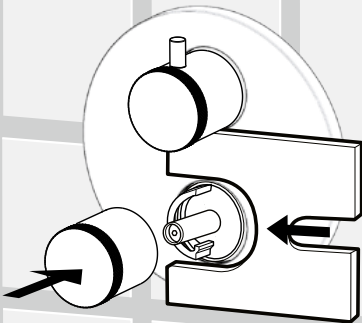




7B



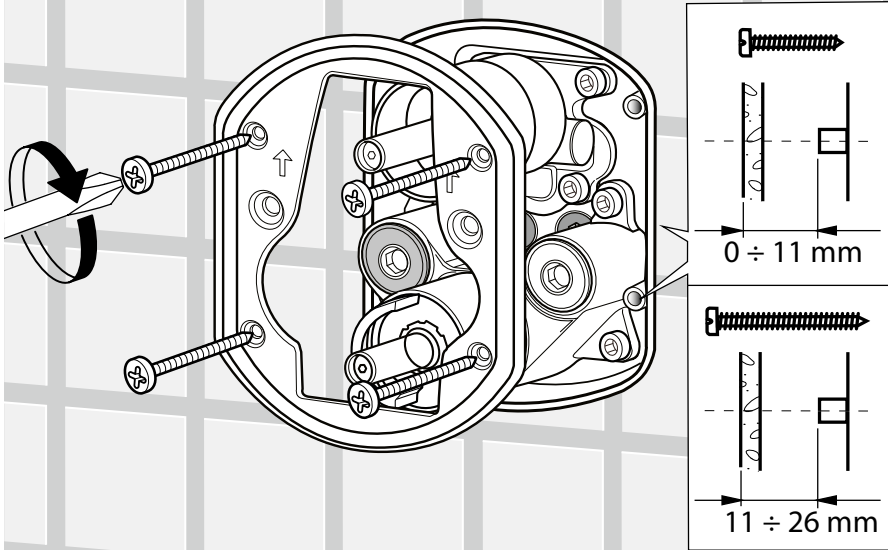
8B



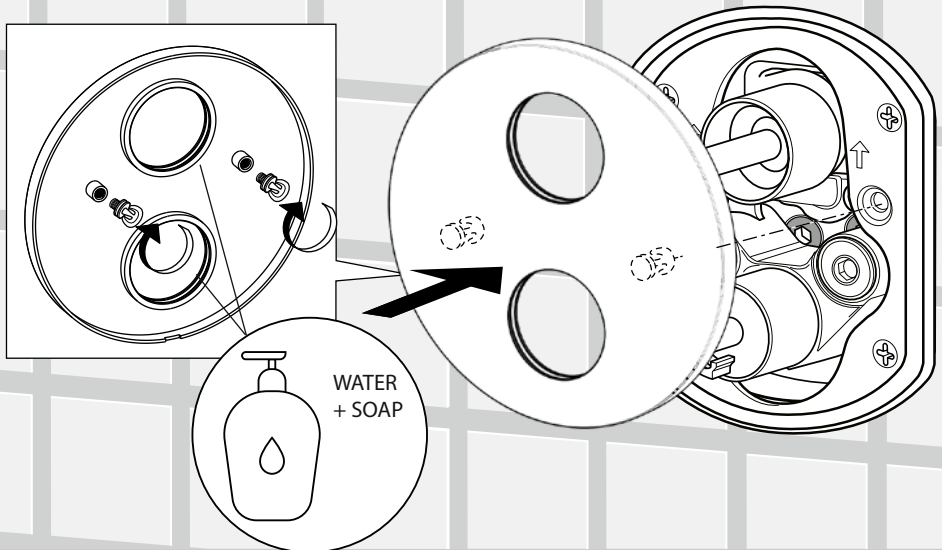
2,5



5

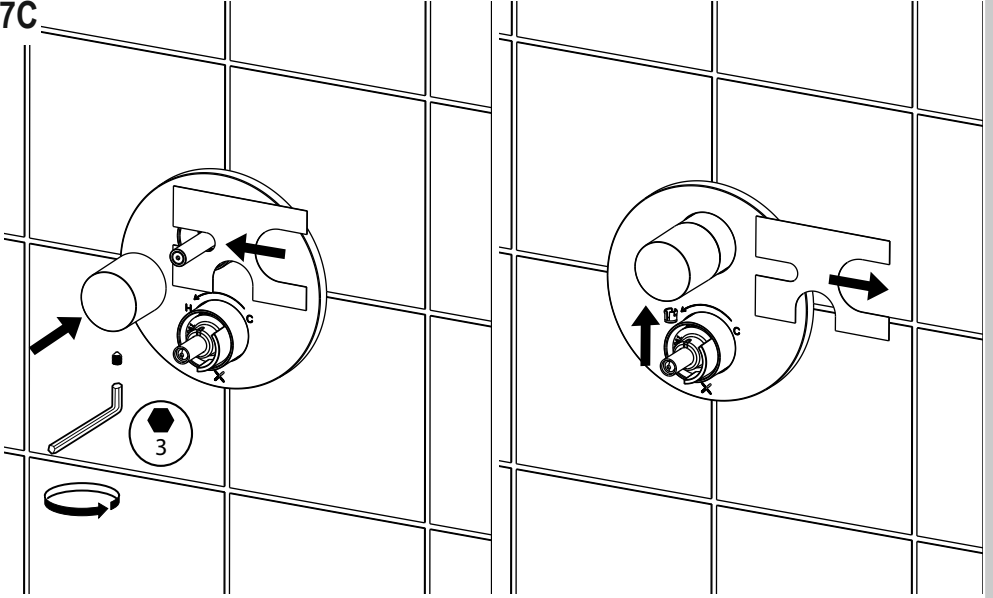


6C

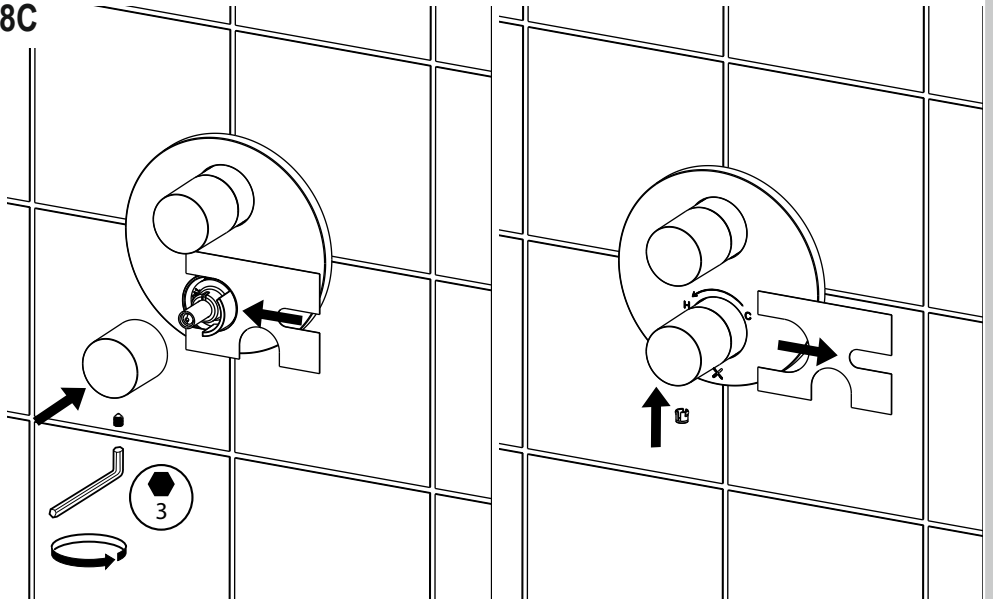




7C

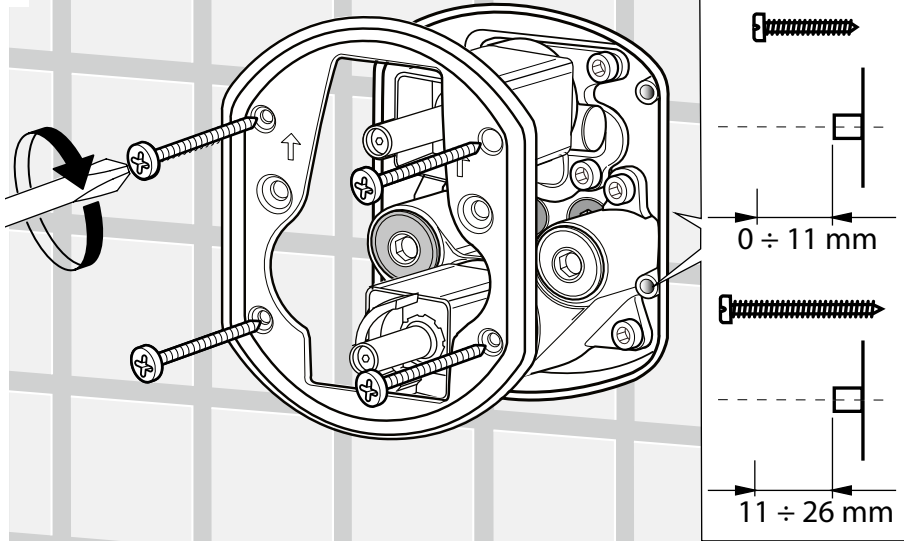


8C

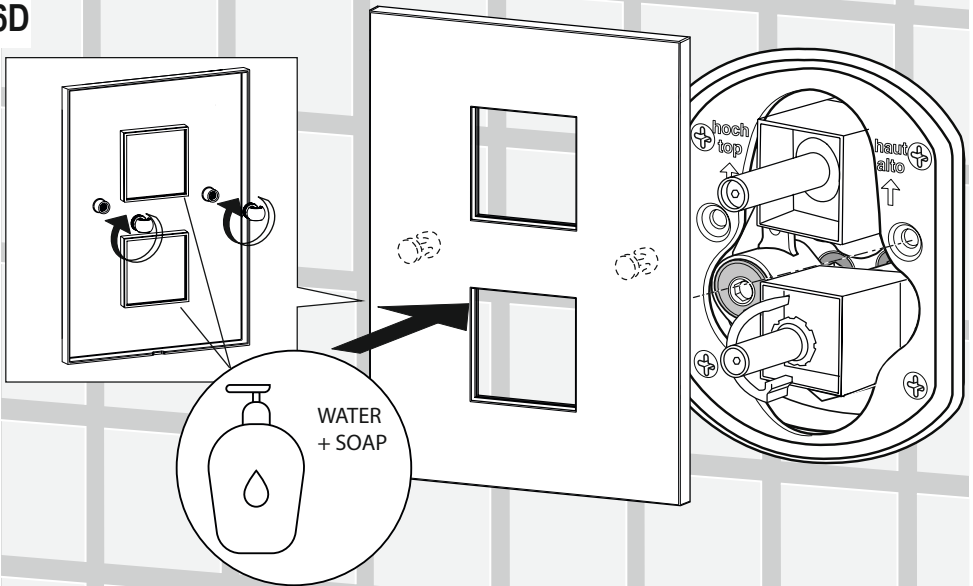




5

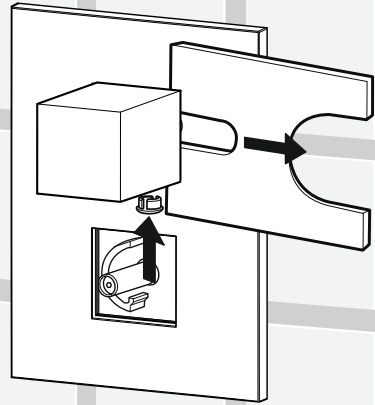
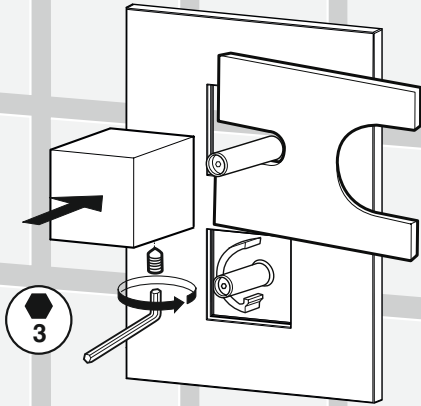


6D

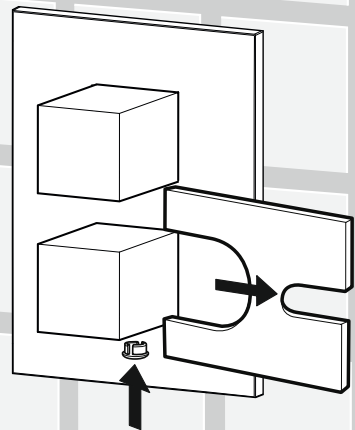
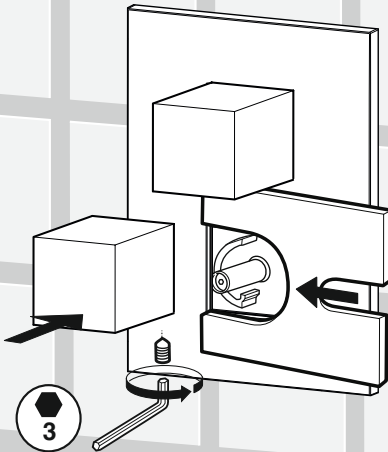




7D

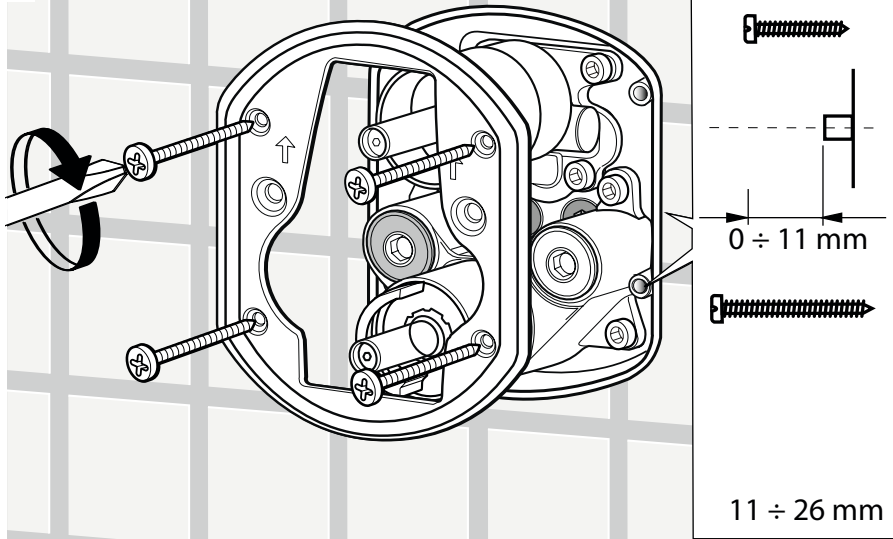


8D

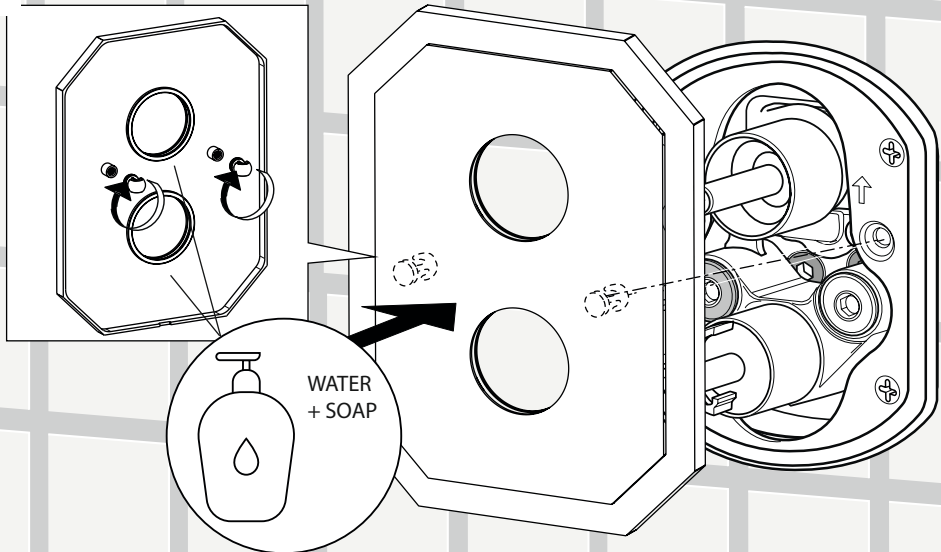




5

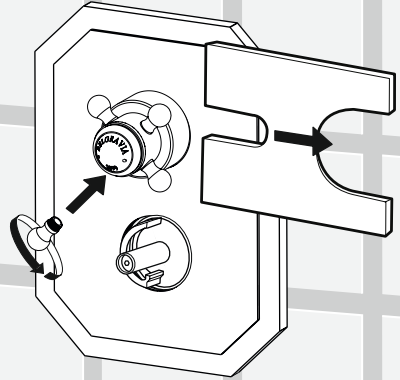
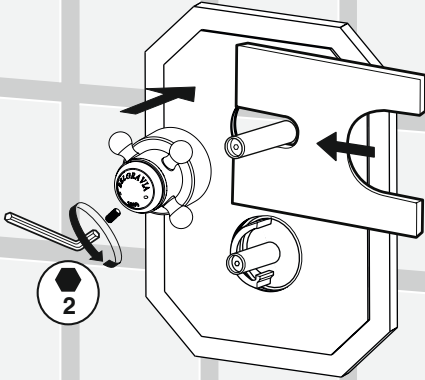


6E

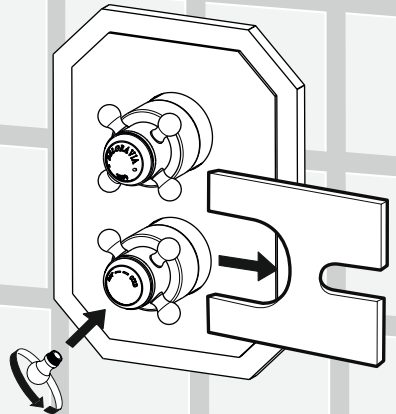
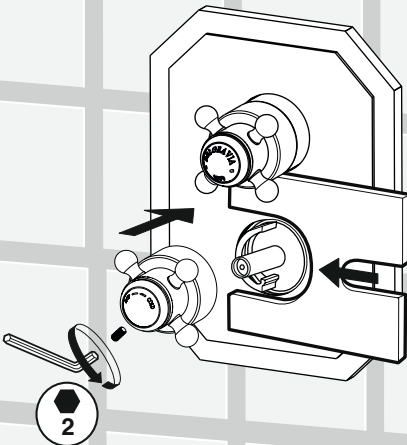




7E

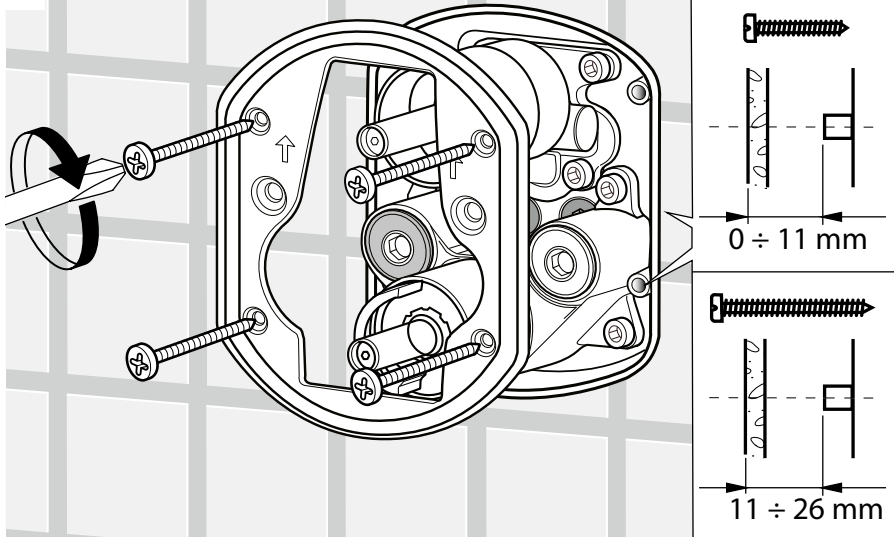


8E

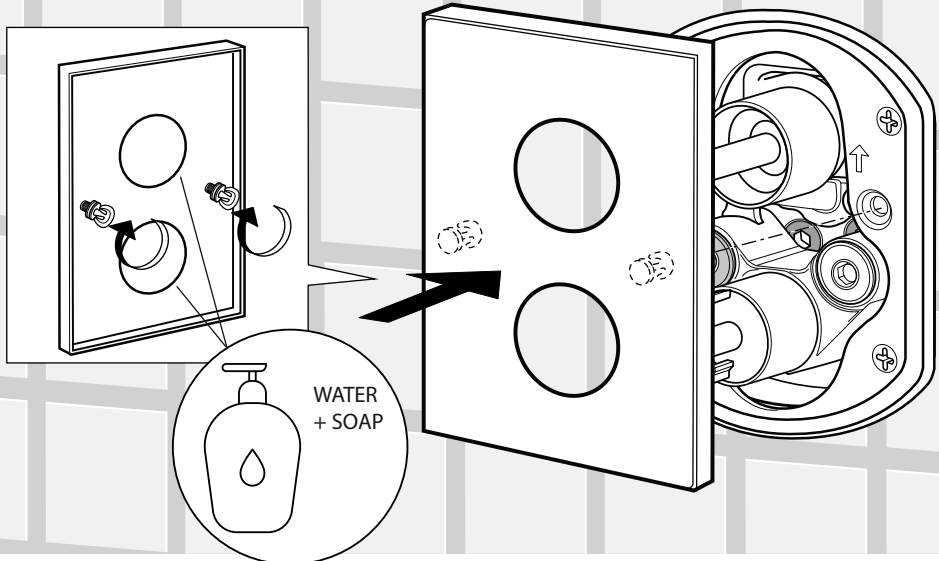




5

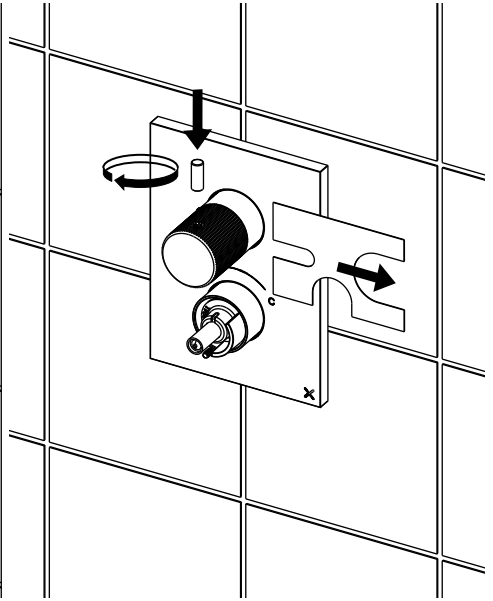
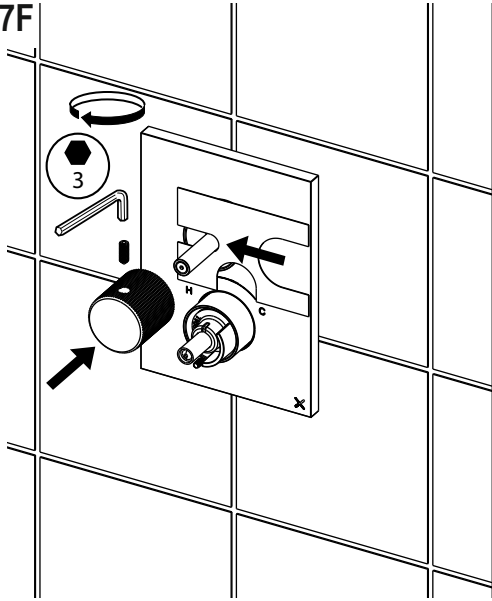


6F

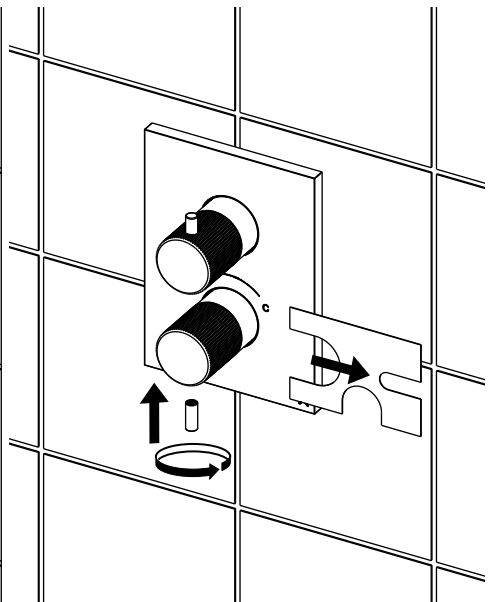
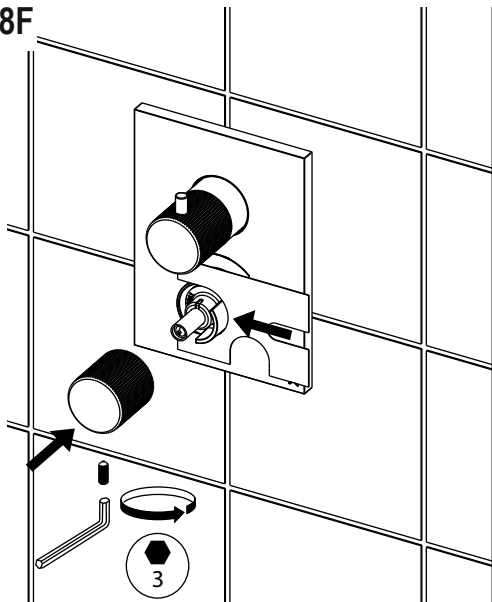




7F

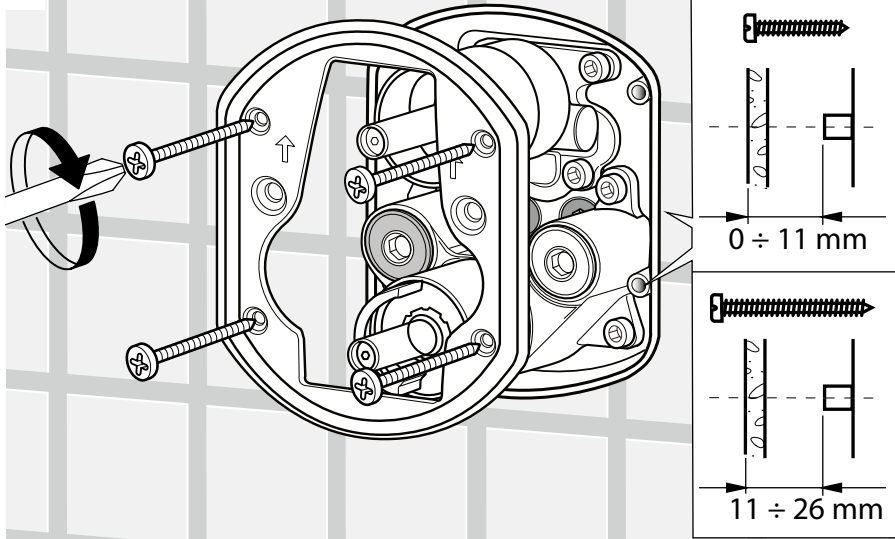


8F

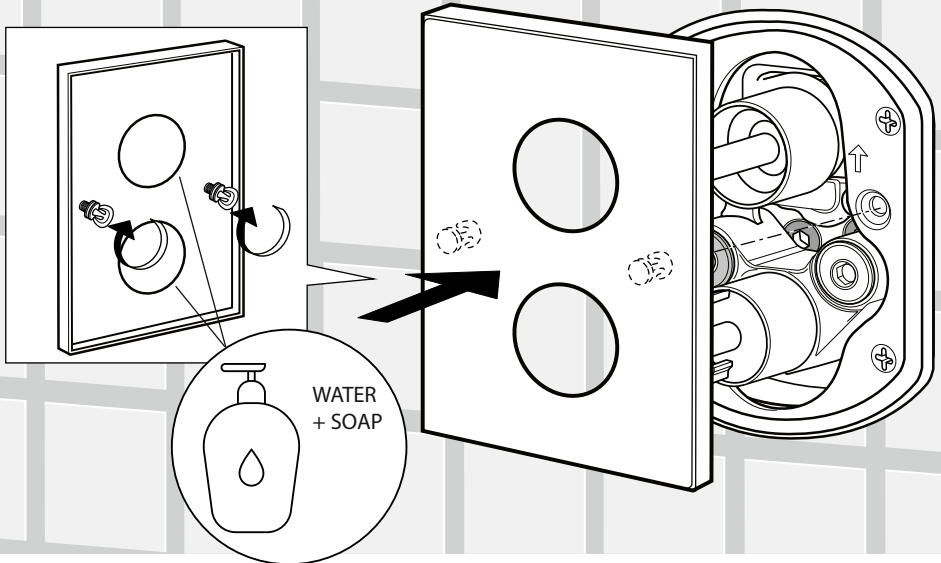




5

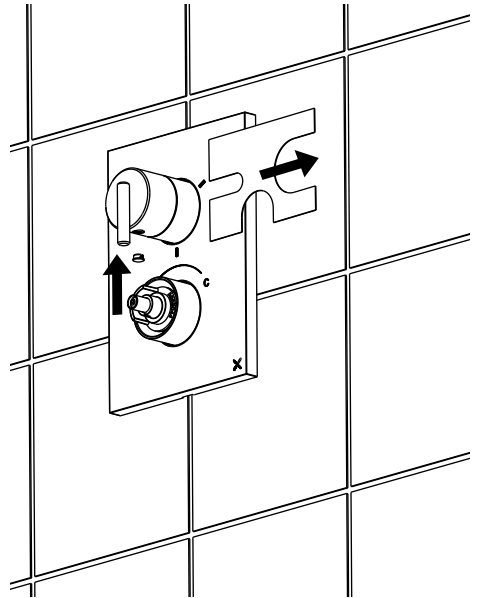
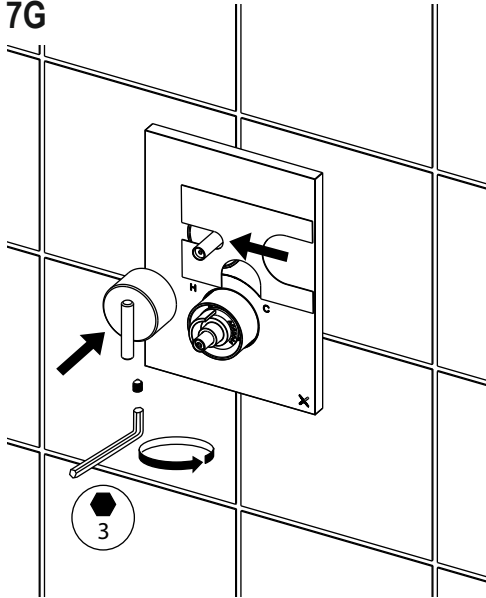


6G

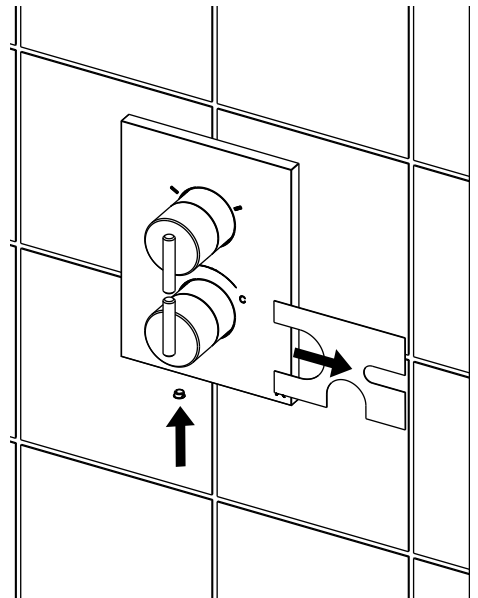
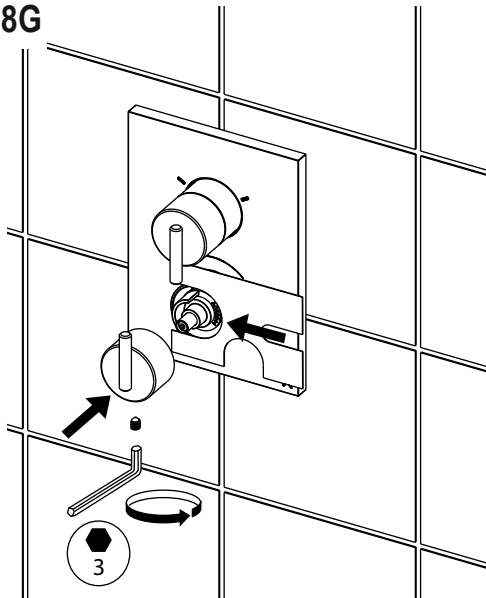




7G

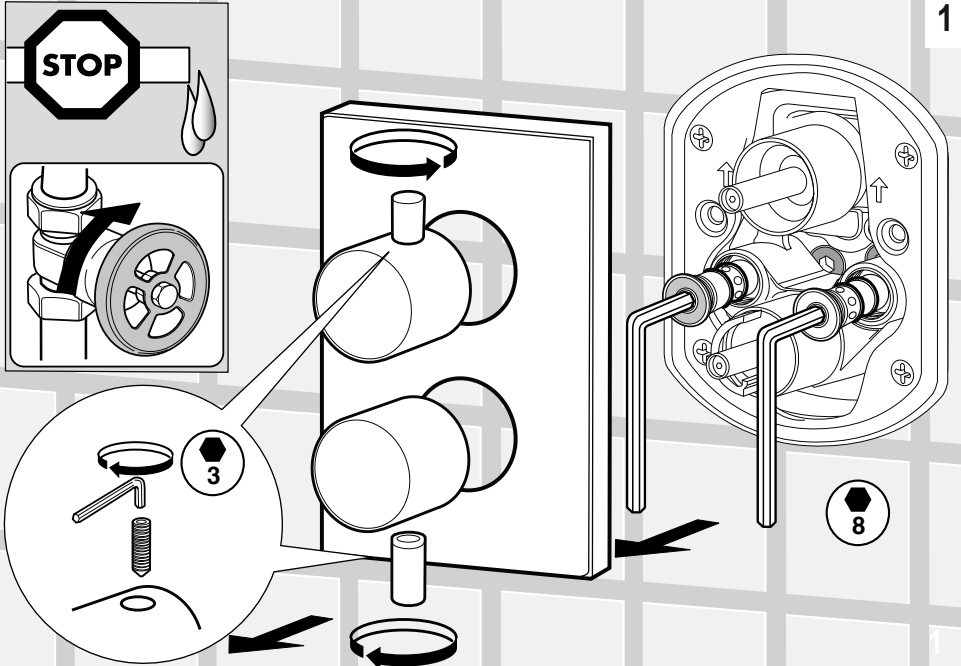


8G

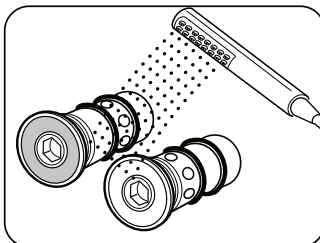
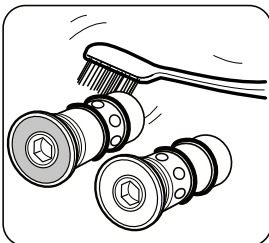
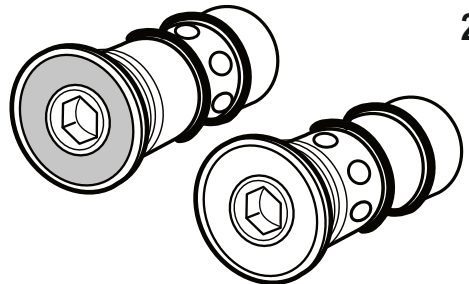
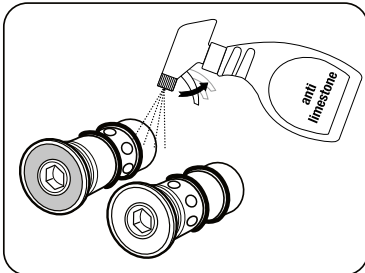


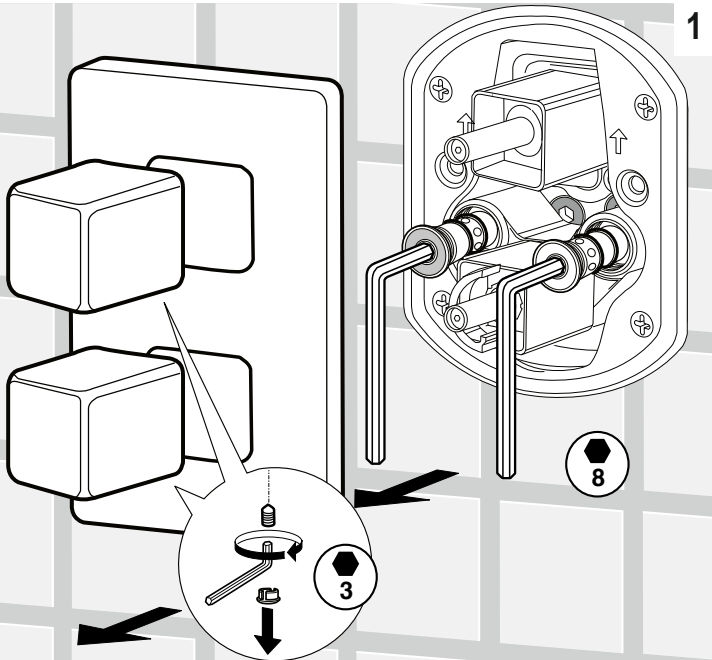
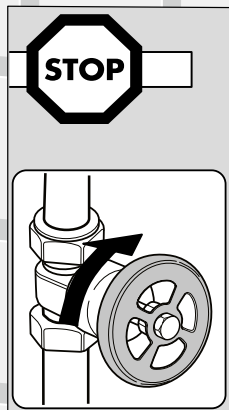
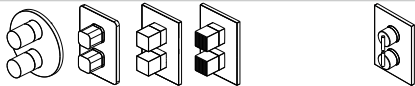


1

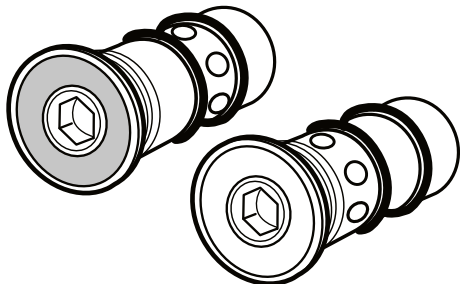
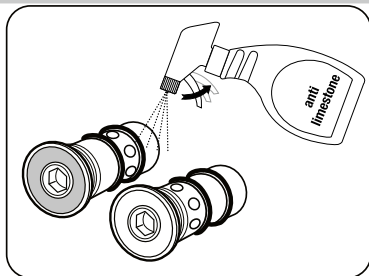


2

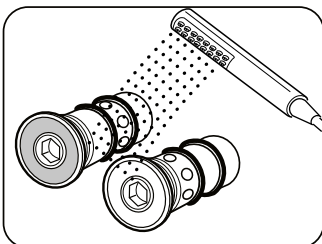
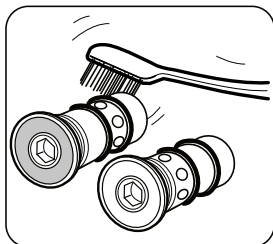


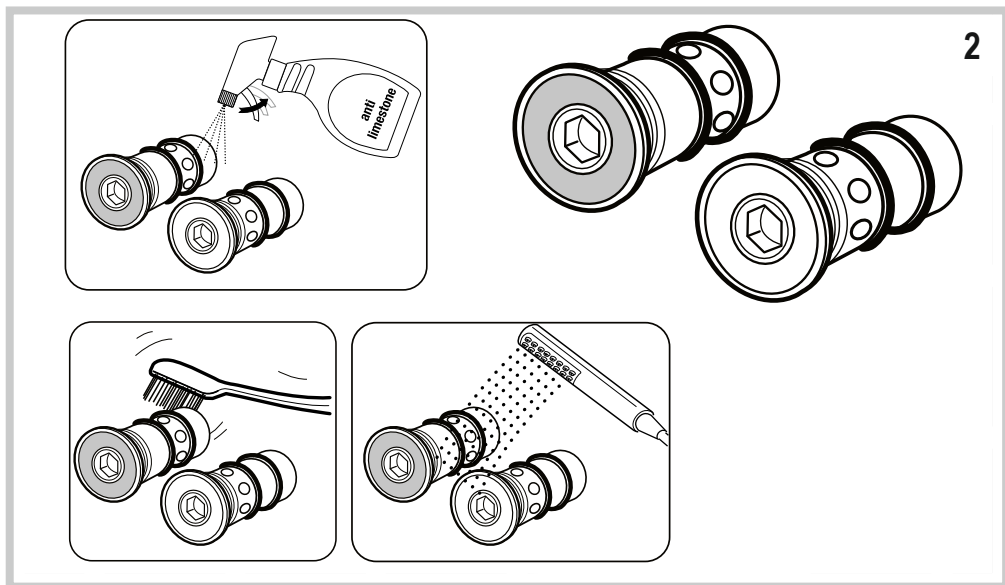
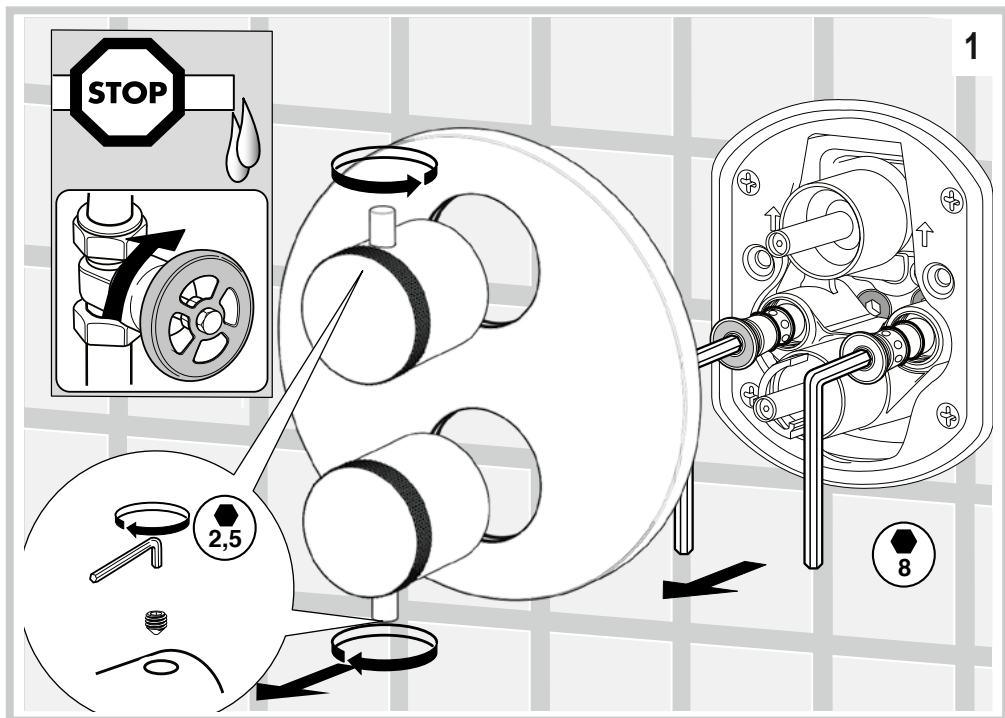


1



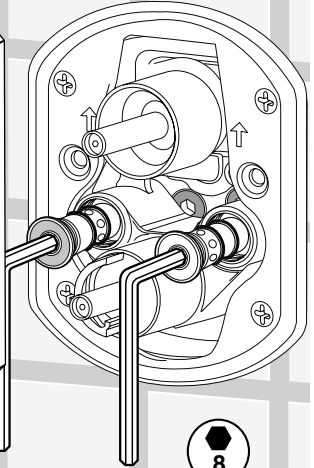
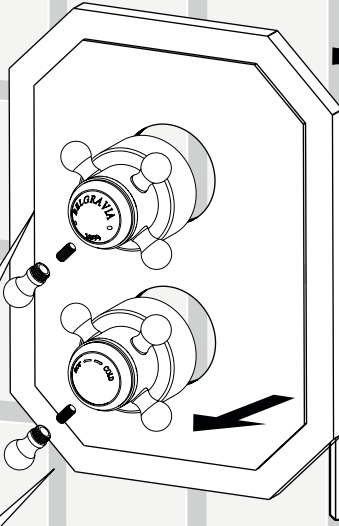
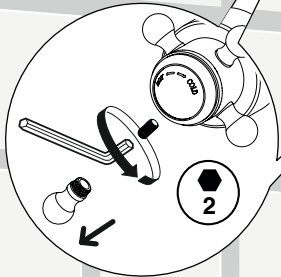
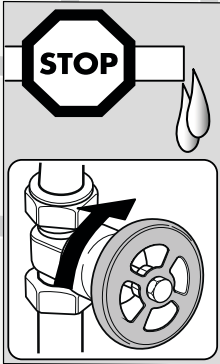
2



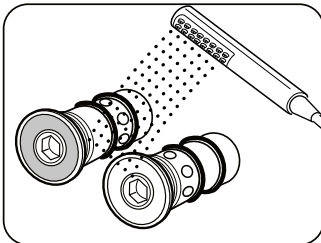
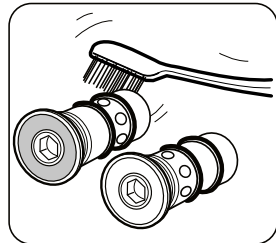
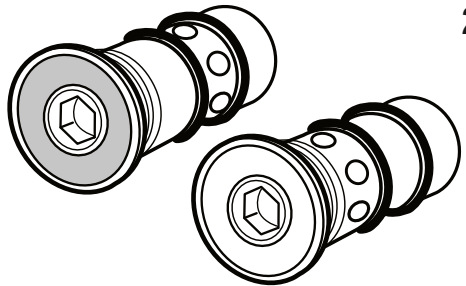
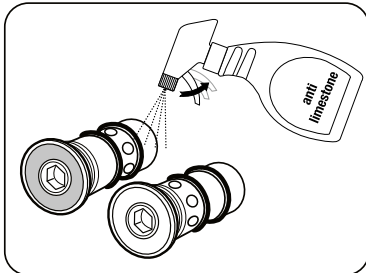


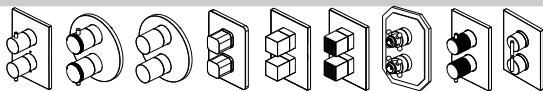


1

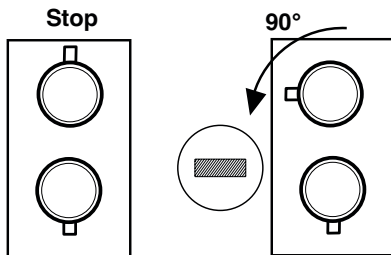


2

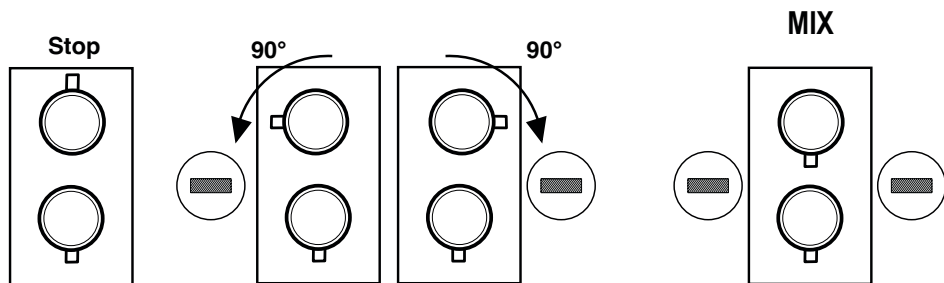




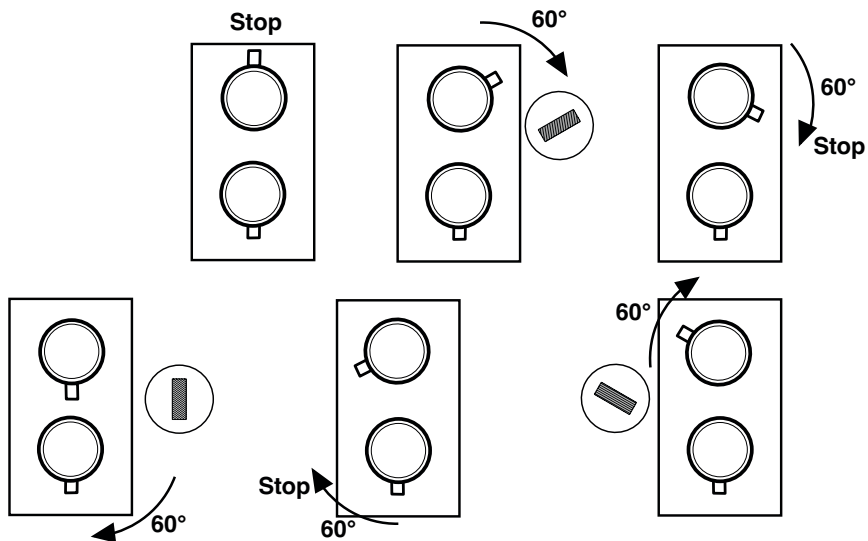
THERMOSTATIC 1 WAY



THERMOSTATIC 2 WAYS



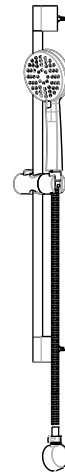
THERMOSTATIC 3 WAYS



BRITTON[®]

INSTALLATION INSTRUCTIONS

HOXTON SHOWER SET WITH OUTLET ELBOW HOX.053



Important

- We recommend that this product is installed by a qualified professional plumber who is certified by NVQ (National Vocational Qualification) or SNVQ (Scottish National Vocational Qualification) Level 3.
- Please check this product upon delivery to ensure that it has not been damaged and is complete.
- Before installation, please make sure this product is the correct model and you have all the parts required for installation and use.
- If possible the shower kit should be supplied with hot and cold water at balanced pressure.
- It is important to flush the water system to ensure that no swarf, solder, or any other impurity or foreign body can enter the shower kit.
- Turn off the water supply before commencing work, this should be done at the isolating valves or inlet feeds if fitted, or otherwise at the main stopcock.
- Please read these instructions carefully and keep it for future reference.

Working pressure

The shower set is suitable for high pressure installation. The recommended minimum work pressure is 1 bar. The maximum work pressure is 5 bar. If the mains pressure is over 5 bar, then a flow regulator should be fitted.

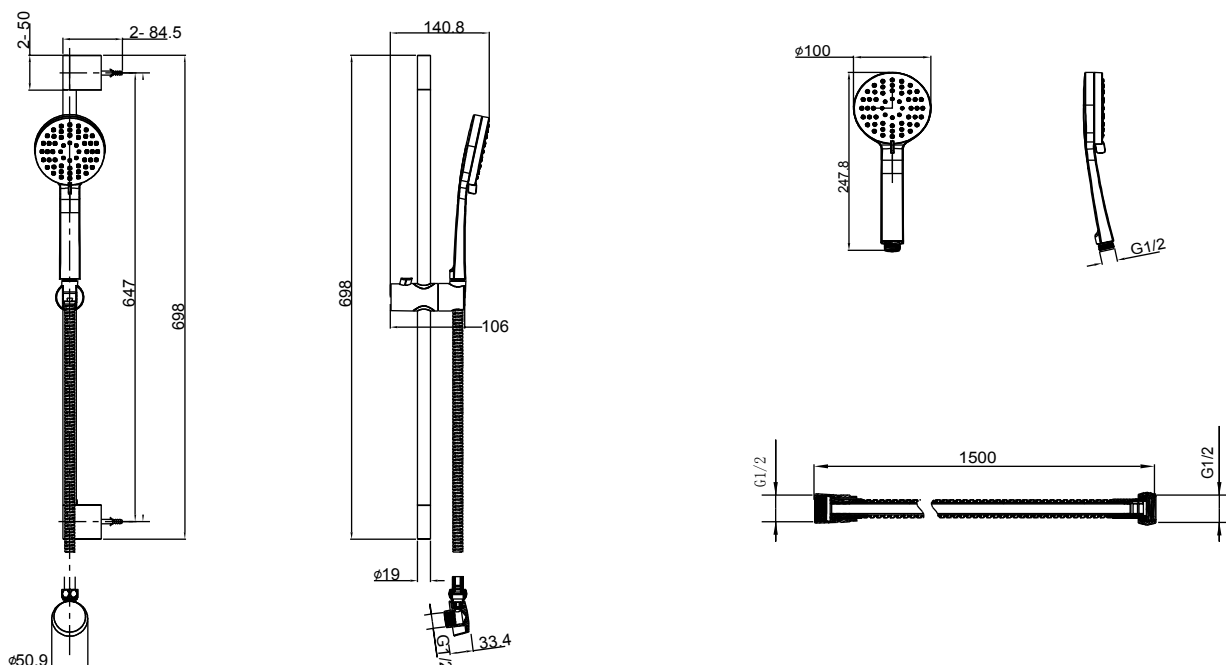
Warning

Please check for any hidden pipes or cables before drilling holes in the wall.
When using Power tools always follow the manufacturers user instructions.

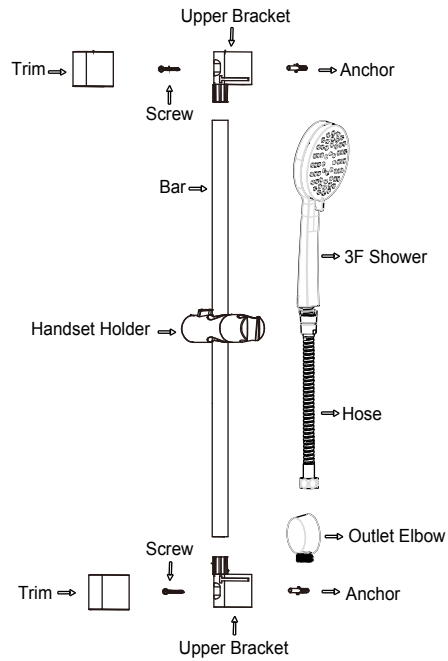
Cleaning

We do NOT recommend you use any household cleaners to clean the product. Because these cleaners change substance or formula too frequently. So product should be always cleaned only with soapy water and rinsing with clean water and drying with soft cloth.

Dimension



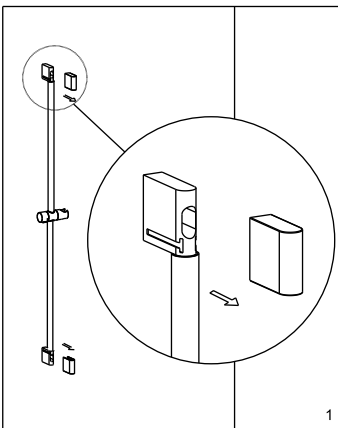
Dimension



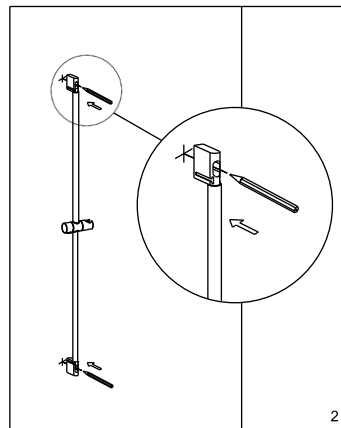
Tools Required (Not Supplied)

Drill, 6mm Masonry drill bit, Cross-head screwdriver, Spirit level, Pencil, Wrench.

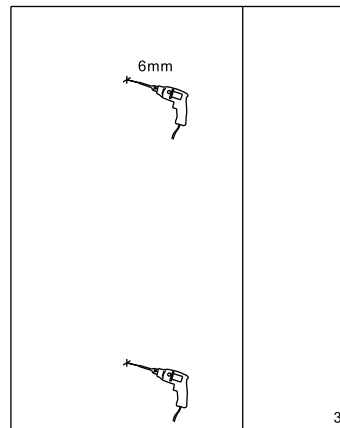
Installation



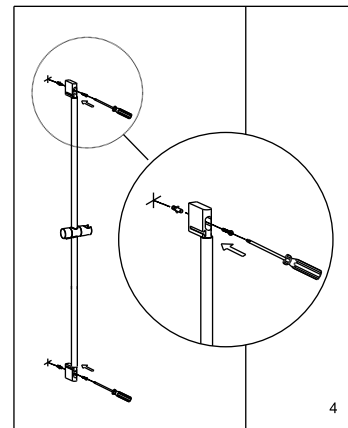
1. Loosen two trims but do not remove them. Place the bar to the wall vertically.



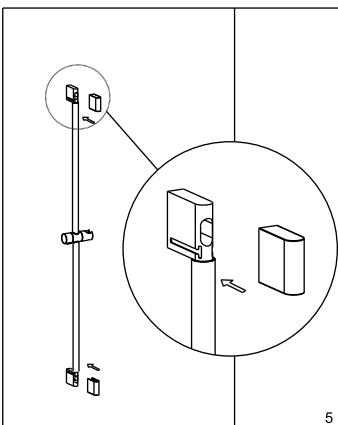
2. Mark two fitting holes .



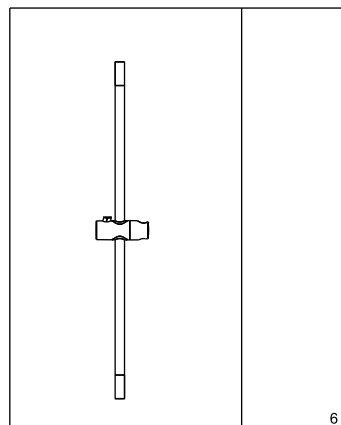
3. Drill two fitting holes by using a 6mm masonry drill bit.



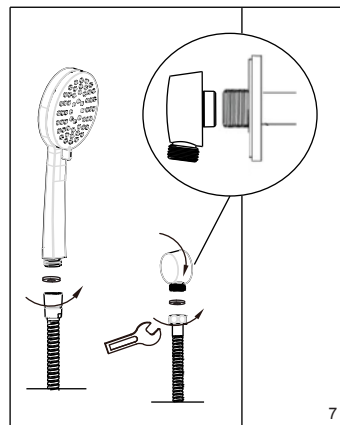
4. Fix the bar to the wall with anchors and screws.



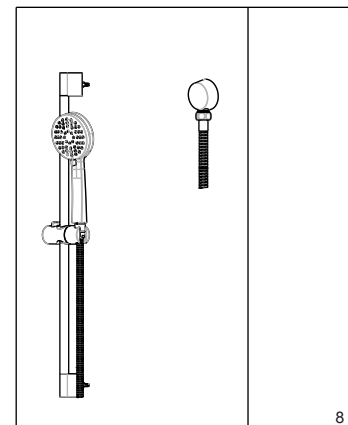
5. Assemble two trims back to brackets.



6. Complete the assembly of bar set.



7. Tighten the elbow into the outlet. Connect two ends of shower hose to the elbow and the handset.



8. Done.