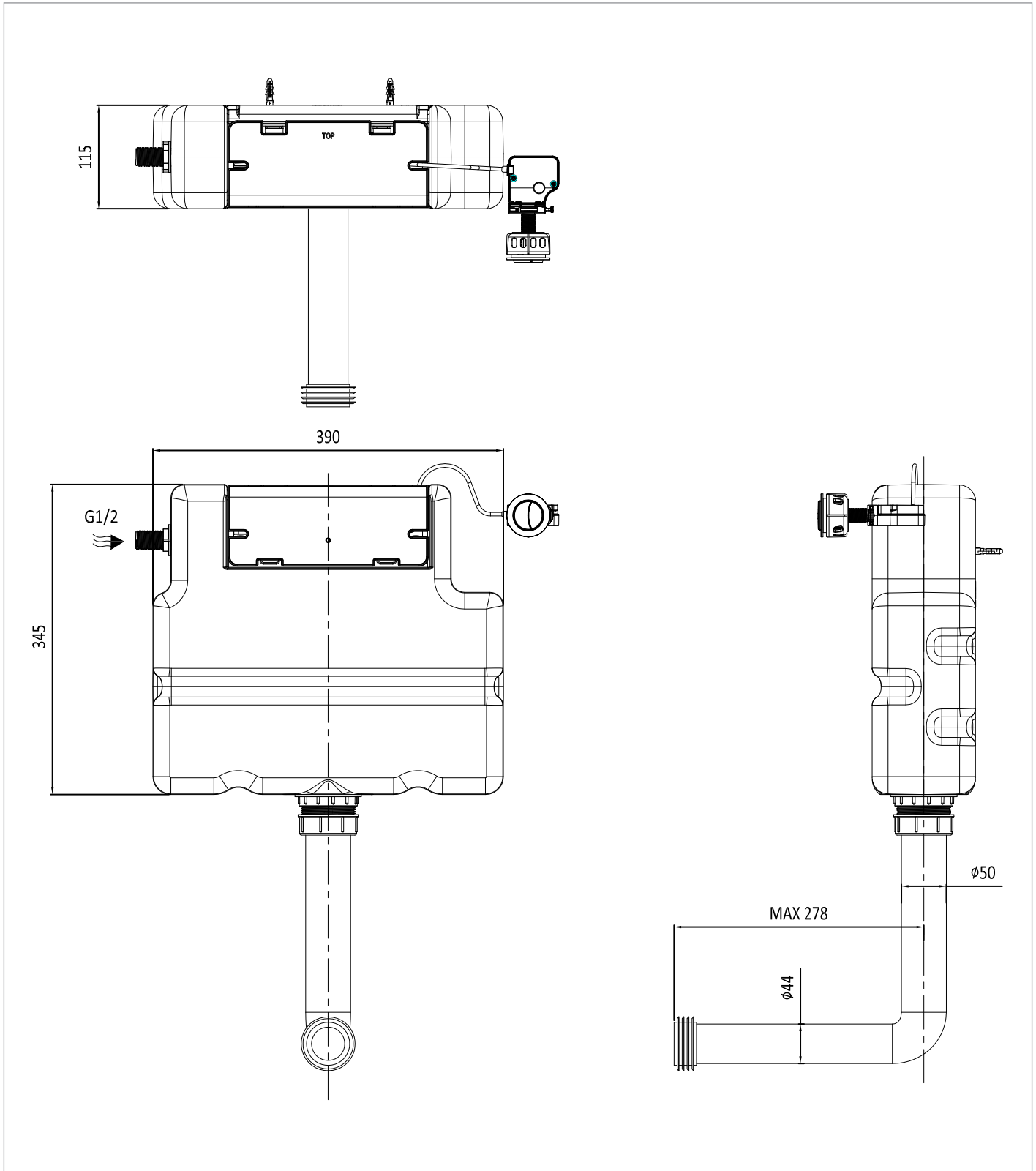


TECHNICAL DIMENSIONS

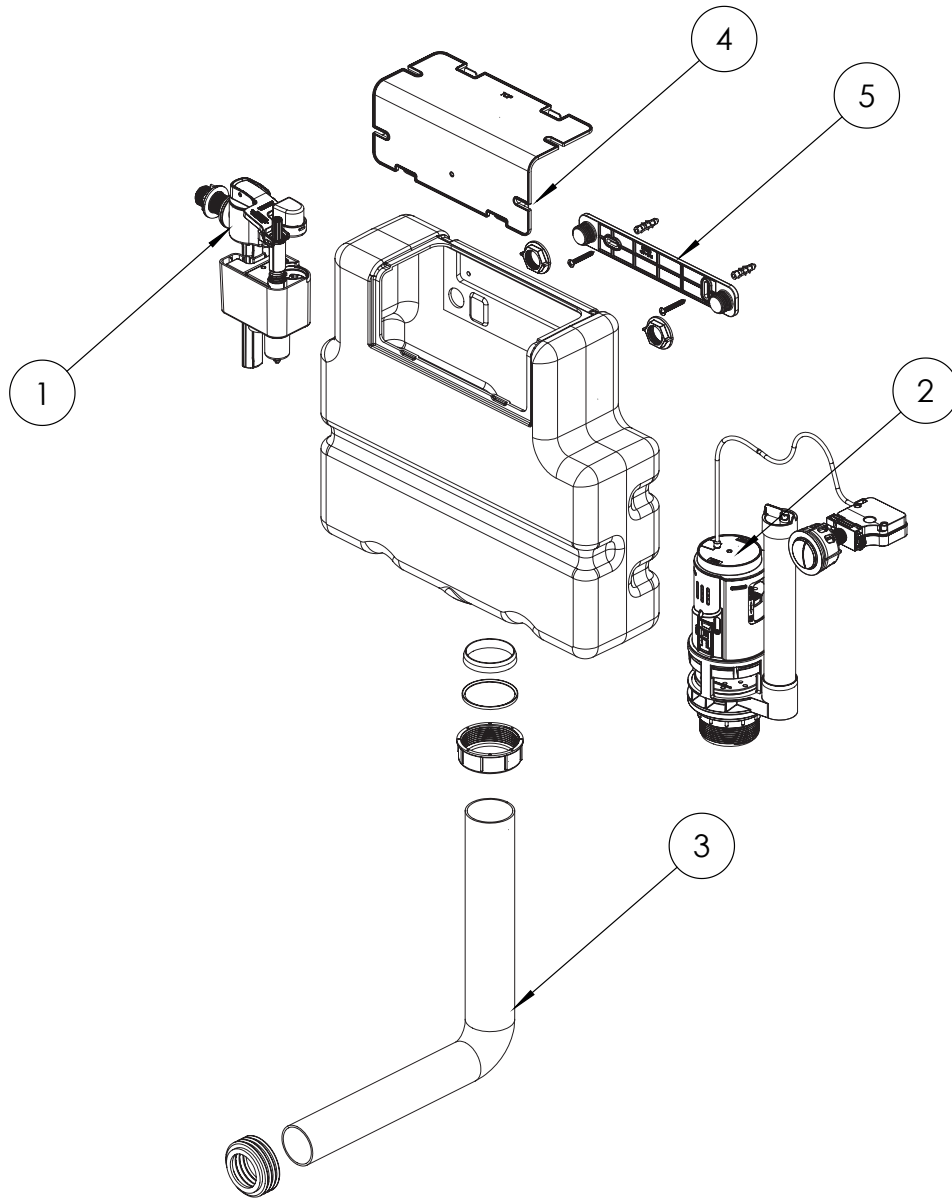
Dimensions in mm unless otherwise specified.

Tolerances (per material type) apply.



SPARES LIST

Only the parts labelled are available as spares.



NUMBER	PART CODE	DESCRIPTION
1	A1423	Fill valve for WCC39X45C
2	A2438	Flush Valve for WCC39X45C
3	PG21017040A00	Flush Pipe Pack for WCC39X45C
4	PG30100060A00	Cistern cover for WCC39X45C
5	PG30100030A00	Wall Bracket Kit for WCC39X45C

