

PRODUCT DATA SHEET



PRODUCT CODE

WCC39X45C

RANGE

Toilet Cisterns

DESCRIPTION

Slim Line Furniture Cistern Dual Flush
Chrome

WEBSITE LINK

[Click Here](#)

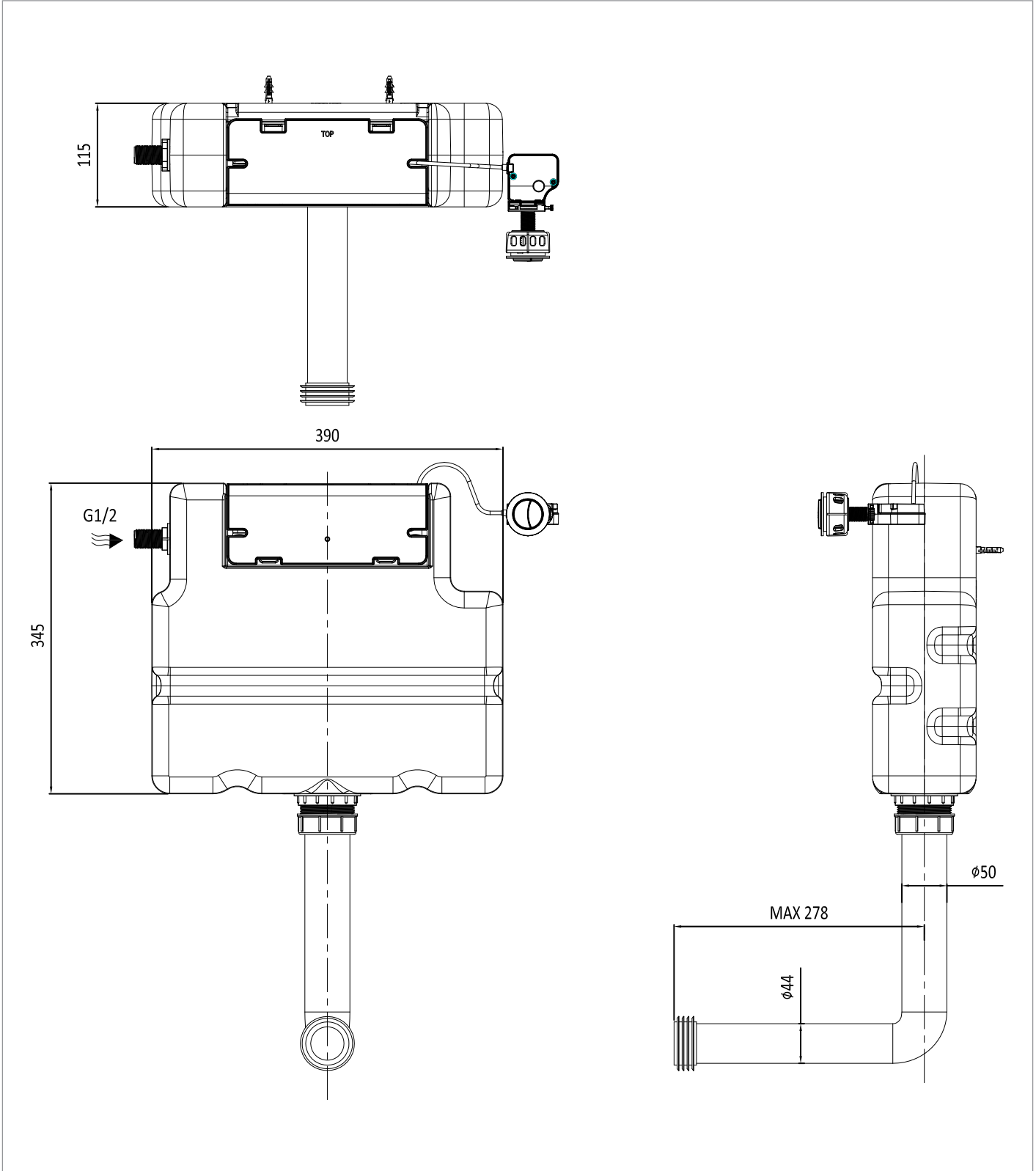
CATEGORY	Sanitaryware
WARRANTY DETAILS	5 Years
COLOUR	Chrome
PRIMARY MATERIAL	Plastic
INSTALL TYPE	Wall Mounted
PRODUCT WIDTH MM	410
PRODUCT HEIGHT MM	625
PRODUCT LENGTH MM	120
PRODUCT DEPTH MM	115
PRODUCT NET WEIGHT KG	1.45

STANDARDS	BS EN 14055:2018
APPROVAL	KIWA - 2308777
FIXINGS INCLUDED	Yes
FLUSH VOLUME	6/4L
CISTERN FLUSH MECHANISM	Dual Flush with Flush Button
NOISE CLASS	Group I

TECHNICAL DIMENSIONS

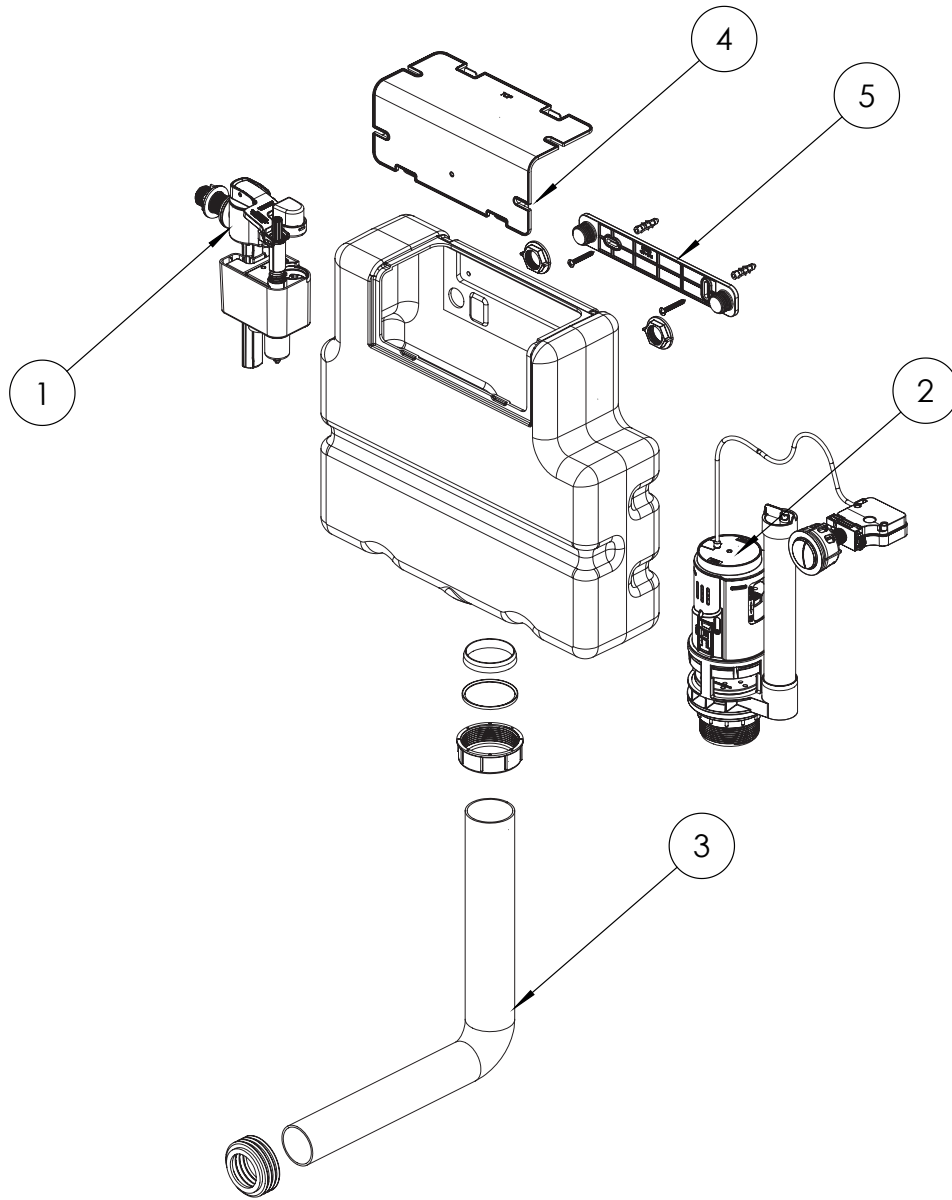
Dimensions in mm unless otherwise specified.

Tolerances (per material type) apply.



SPARES LIST

Only the parts labelled are available as spares.



NUMBER	PART CODE	DESCRIPTION
1	A1423	Fill valve for WCC39X45C
2	A2438	Flush Valve for WCC39X45C
3	PG21017040A00	Flush Pipe Pack for WCC39X45C
4	PG30100060A00	Cistern cover for WCC39X45C
5	PG30100030A00	Wall Bracket Kit for WCC39X45C

