

PRODUCT DATA SHEET



PRODUCT CODE

CROSSBOX

RANGE

Crossbox

DESCRIPTION

Crossbox In Universal Rough

WEBSITE LINK

[Click Here](#)

CATEGORY	Brassware
WARRANTY DETAILS	15 Years
FINISH APPLICATION	Raw/Natural
PRIMARY MATERIAL	Brass
INSTALL TYPE	Wall Mounted
PRODUCT WIDTH MM	166
PRODUCT HEIGHT MM	199
PRODUCT NET WEIGHT KG	1.86

APPROVAL	KIWA - 2501751
NUMBER OF OUTLETS	1-3
INLET CONNECTIONS THREAD	G1/2"
OUTLET CONNECTIONS THREAD	G1/2"

PRESSURE (BAR)	0.2	0.5	1	2	3	4	5
PRIMARY FLOWRATE							
HANDSET FLOWRATE							
MESSAGE FLOW RATE							
AIR FLOW RATE							
WIRE FLOW RATE							
WATERFALL FLOW RATE							
MIST FLOW RATE							
HANDSPRAY FLOW RATE							

TECHNICAL DIMENSIONS

Dimensions in mm unless otherwise specified.

Tolerances (per material type) apply.



SPARES LIST

Only the parts labelled are available as spares.

NUMBER	PART CODE	DESCRIPTION
1	E00309000000SA	Crossbox Spare Fitting Kit
2	E25000700000SA	Crossbox Frame for Backplate
3	E25000800000SA	Crossbox Screw Kit



PRODUCT DATA SHEET



PRODUCT CODE

FH684M_V2

RANGE

Shower Arm

DESCRIPTION

Shower Arm 350mm Matt Black

WEBSITE LINK

[Click Here](#)

CATEGORY	Brassware
WARRANTY DETAILS	15 Years
COLOUR	Matt Black
FINISH APPLICATION	Immersion Plating
PRIMARY MATERIAL	Brass
INSTALL TYPE	Wall Mounted
PRODUCT WIDTH MM	340
PRODUCT HEIGHT MM	60
PRODUCT LENGTH MM	110
PRODUCT DEPTH MM	20
PRODUCT NET WEIGHT KG	0.1

STANDARDS	BS EN 1112:2008
APPROVAL	KIWA - 2302755
NUMBER OF OUTLETS	1
NUMBER OF FUNCTIONS	1
SWIVEL SPOUT	No
INLET CONNECTIONS THREAD	G1/2"
OUTLET CONNECTIONS THREAD	G1/2"
WASTE INCLUDED	No
ANTI-SCALD	No
ENERGY SAVING	No

PRESSURE (BAR)	0.2	0.5	1	2	3	4	5
PRIMARY FLOWRATE							
HANDSET FLOWRATE							
MESSAGE FLOW RATE							
AIR FLOW RATE							
WIRE FLOW RATE							
WATERFALL FLOW RATE							
MIST FLOW RATE							
HANDSPRAY FLOW RATE							

TECHNICAL DIMENSIONS

Dimensions in mm unless otherwise specified.

Tolerances (per material type) apply.



SPARES LIST

Only the parts labelled are available as spares.

--

PRODUCT DATA SHEET



PRODUCT CODE

PRO200M_V2

RANGE

MPRO

DESCRIPTION

MPRO 200mm Fixed Head Matt Black

CATEGORY	Brassware
WARRANTY DETAILS	15 Years
COLOUR	Matt Black
FINISH APPLICATION	Immersion Plating
PRIMARY MATERIAL	Brass
INSTALL TYPE	Wall Mounted/Ceiling Mounted
PRODUCT WIDTH MM	200
PRODUCT HEIGHT MM	58
PRODUCT LENGTH MM	200
PRODUCT NET WEIGHT KG	0.9
MINIMUM PRESSURE (BAR)	0.5
MAX WORKING PRESSURE (BAR)	5

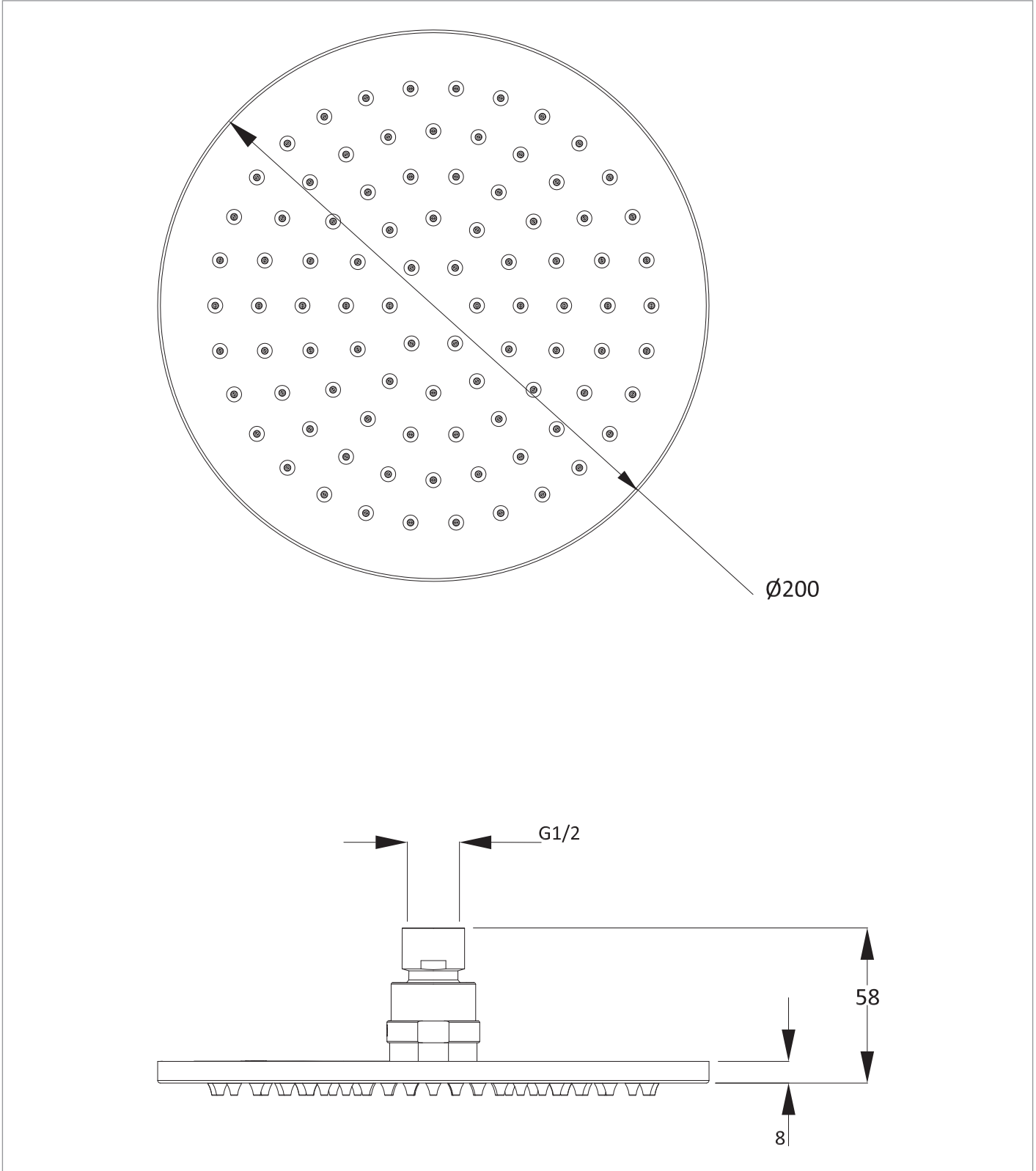
APPROVAL	KIWA -2312748
NUMBER OF OUTLETS	1
NUMBER OF FUNCTIONS	1
SWIVEL SPOUT	No
INLET CONNECTIONS THREAD	G1/2"
WASTE INCLUDED	No
ANTI-SCALD	No
ENERGY SAVING	No

PRESSURE (BAR)	0.2	0.5	1	2	3	4	5
PRIMARY FLOWRATE	11.16	12.75	16.48	23.31	26.58	31.36	35.39
HANDSET FLOWRATE							
MASSAGE FLOW RATE							
AIR FLOW RATE							
WIRE FLOW RATE							
WATERFALL FLOW RATE							
MIST FLOW RATE							
HANDSPRAY FLOW RATE							

TECHNICAL DIMENSIONS

Dimensions in mm unless otherwise specified.

Tolerances (per material type) apply.

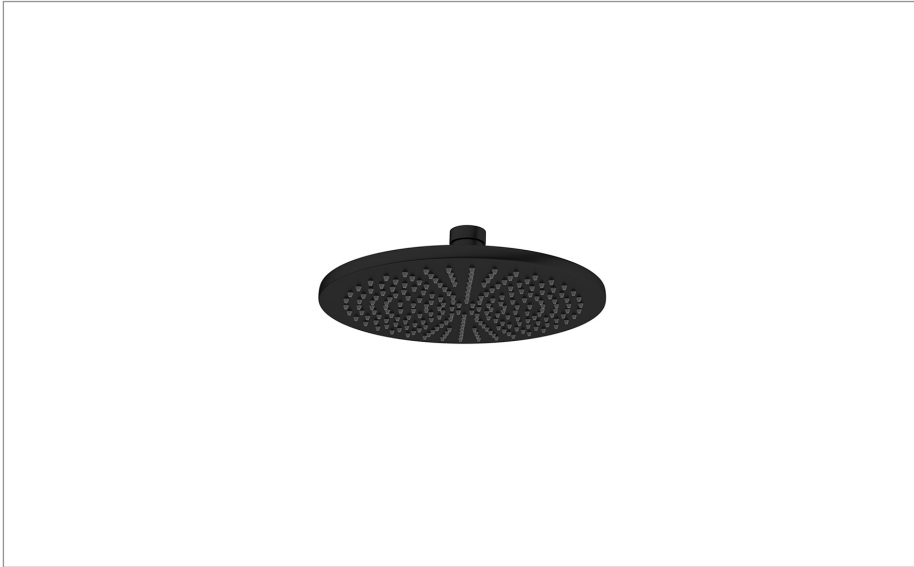


SPARES LIST

Only the parts labelled are available as spares.

NO SPARES AVAILABLE

PRODUCT DATA SHEET



PRODUCT CODE

PRO300M_V2

RANGE

MPRO

DESCRIPTION

MPRO 300mm Fixed Head Matt Black

WEBSITE LINK

[Click Here](#)

CATEGORY	Brassware
WARRANTY DETAILS	15 Years
COLOUR	Matt Black
FINISH APPLICATION	Immersion Plating
PRIMARY MATERIAL	Brass
INSTALL TYPE	Wall Mounted/Ceiling Mounted
PRODUCT WIDTH MM	300
PRODUCT HEIGHT MM	58
PRODUCT NET WEIGHT KG	2.4
MINIMUM PRESSURE (BAR)	0.5
MAX WORKING PRESSURE (BAR)	5

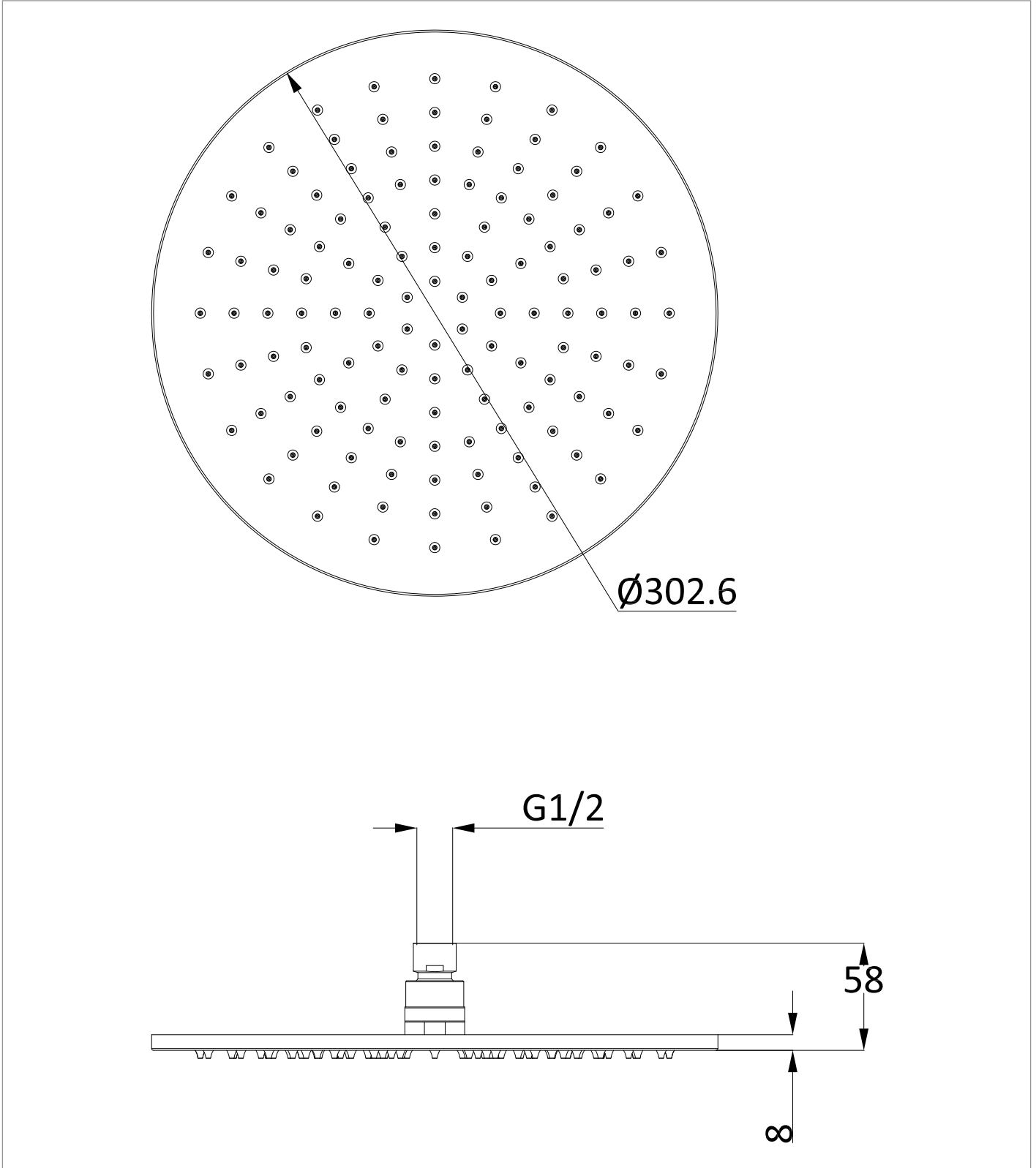
APPROVAL	KIWA - 2312748
NUMBER OF OUTLETS	1
NUMBER OF FUNCTIONS	1
INLET CONNECTIONS THREAD	G1/2"
WASTE INCLUDED	No
ANTI-SCALD	No
ENERGY SAVING	No

PRESSURE (BAR)	0.2	0.5	1	2	3	4	5
PRIMARY FLOWRATE		12.91	16.7	22.02	24.07	27.87	31.13
HANDSET FLOWRATE							
MESSAGE FLOW RATE							
AIR FLOW RATE							
WIRE FLOW RATE							
WATERFALL FLOW RATE							
MIST FLOW RATE							
HANDSPRAY FLOW RATE							

TECHNICAL DIMENSIONS

Dimensions in mm unless otherwise specified.

Tolerances (per material type) apply.



SPARES LIST

Only the parts labelled are available as spares.

NO SPARES AVAILABLE

