

PRODUCT DATA SHEET



PRODUCT CODE

CROSSBOX

RANGE

Crossbox

DESCRIPTION

Crossbox In Universal Rough

WEBSITE LINK

[Click Here](#)

| | |
|-----------------------|--------------|
| CATEGORY | Brassware |
| WARRANTY DETAILS | 15 Years |
| FINISH APPLICATION | Raw/Natural |
| PRIMARY MATERIAL | Brass |
| INSTALL TYPE | Wall Mounted |
| PRODUCT WIDTH MM | 166 |
| PRODUCT HEIGHT MM | 199 |
| PRODUCT NET WEIGHT KG | 1.86 |

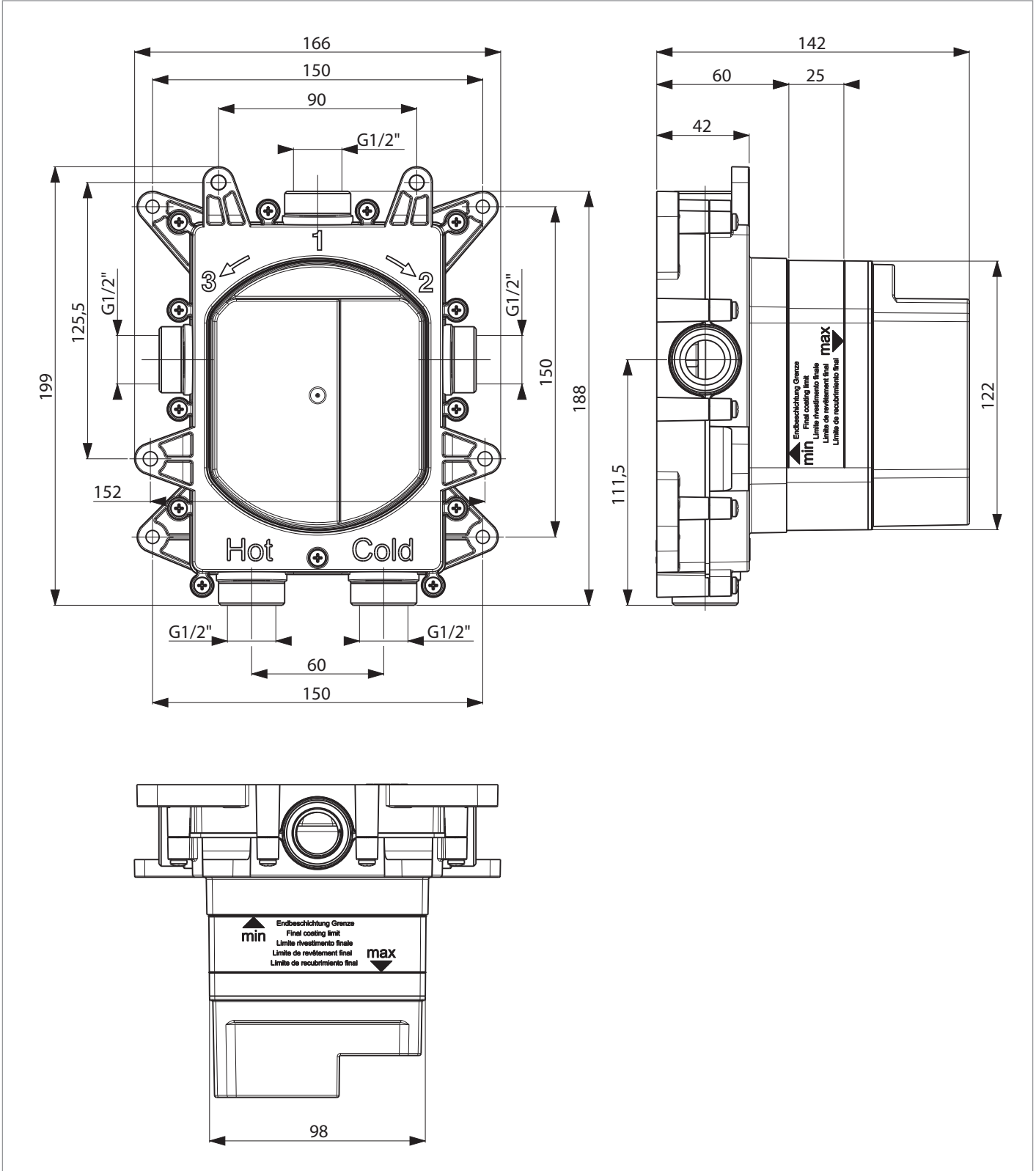
| | |
|---------------------------|----------------|
| APPROVAL | KIWA - 2501751 |
| NUMBER OF OUTLETS | 1-3 |
| INLET CONNECTIONS THREAD | G1/2" |
| OUTLET CONNECTIONS THREAD | G1/2" |

| PRESSURE (BAR) | 0.2 | 0.5 | 1 | 2 | 3 | 4 | 5 |
|---------------------|-----|-----|---|---|---|---|---|
| PRIMARY FLOWRATE | | | | | | | |
| HANDSET FLOWRATE | | | | | | | |
| MESSAGE FLOW RATE | | | | | | | |
| AIR FLOW RATE | | | | | | | |
| WIRE FLOW RATE | | | | | | | |
| WATERFALL FLOW RATE | | | | | | | |
| MIST FLOW RATE | | | | | | | |
| HANDSPRAY FLOW RATE | | | | | | | |

TECHNICAL DIMENSIONS

Dimensions in mm unless otherwise specified.

Tolerances (per material type) apply.



SPARES LIST

Only the parts labelled are available as spares.

| NUMBER | PART CODE | DESCRIPTION |
|--------|----------------|------------------------------|
| 1 | E00309000000SA | Crossbox Spare Fitting Kit |
| 2 | E25000700000SA | Crossbox Frame for Backplate |
| 3 | E25000800000SA | Crossbox Screw Kit |



PRODUCT DATA SHEET

BRITTON[®]



PRODUCT CODE

HOXPACKAGE1M

RANGE

Hoxton 2.0


DESCRIPTION

Hoxton 2.0 Shower Set with Outlet Elbow Matt Black

| | |
|----------------------------|-------------------|
| CATEGORY | Showering |
| WARRANTY DETAILS | 15 Years |
| COLOUR | Matt Black |
| FINISH APPLICATION | Immersion Plating |
| PRIMARY MATERIAL | Brass |
| INSTALL TYPE | Wall Mounted |
| PRODUCT WIDTH MM | 111 |
| PRODUCT HEIGHT MM | 698 |
| PRODUCT DEPTH MM | 85 |
| PRODUCT NET WEIGHT KG | 1.64 |
| MINIMUM PRESSURE (BAR) | 0.5 |
| MAX WORKING PRESSURE (BAR) | 5 |

| | |
|------------------------------------|-------|
| NUMBER OF OUTLETS | 1 |
| NUMBER OF FUNCTIONS | 3 |
| SWIVEL SPOUT | No |
| INLET CONNECTIONS THREAD | G1/2" |
| WASTE INCLUDED | No |
| ANTI-SCALD | No |
| ENERGY SAVING | No |
| SHOWER HOSE & HANDSET ARE INCLUDED | Yes |

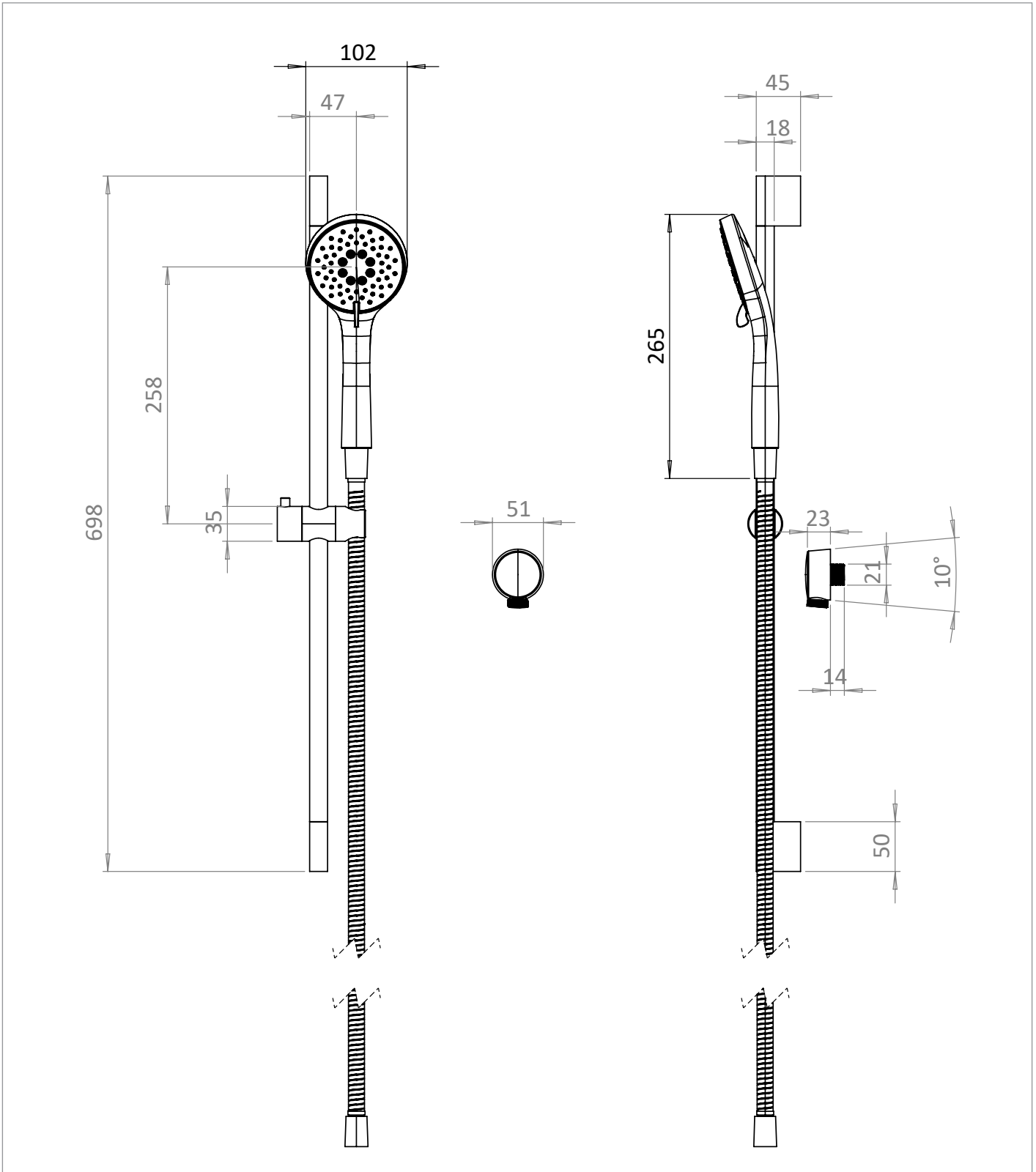
| PRESSURE (BAR) | 0.2 | 0.5 | 1 | 2 | 3 | 4 | 5 |
|---------------------|-----|-----|-------|-------|-------|-------|-------|
| PRIMARY FLOWRATE | | | 10.29 | 13.26 | 15.18 | 17.76 | 19.38 |
| HANDSET FLOWRATE | | | | | | | |
| MASSAGE FLOW RATE | | | | | | | |
| AIR FLOW RATE | | | | | | | |
| WIRE FLOW RATE | | | | | | | |
| WATERFALL FLOW RATE | | | | | | | |
| MIST FLOW RATE | | | | | | | |
| HANDSPRAY FLOW RATE | | | | | | | |

 Part of the Bathroom Brands Group

TECHNICAL DIMENSIONS

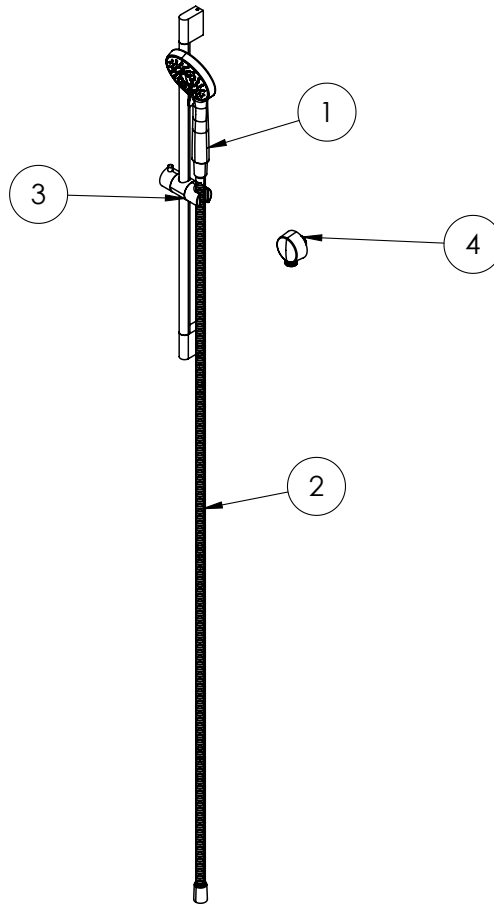
Dimensions in mm unless otherwise specified.

Tolerances (per material type) apply.



SPARES LIST

Only the parts labelled are available as spares.



| NUMBER | PART CODE | DESCRIPTION |
|--------|-----------|--|
| 1 | SP1906C | Shower handset (3 modes) in chrome finish for HOXPACKAGE1C |
| | SP1906F | Shower handset (3 modes) in brushed brass finish for HOXPACKAGE1F |
| | SP1906M | Shower handset (3 modes) in matt black finish for HOXPACKAGE1M |
| 2 | SP1907C | Shower hose 1500mm length in chrome finish for HOXPACKAGE1C |
| | SP1907F | Shower hose 1500mm length in brushed brass finish for HOXPACKAGE1F |
| | SP1907M | Shower hose 1500mm length in matt black finish for HOXPACKAGE1M |
| 3 | SP1908C | Handset holder in chrome finish for HOXPACKAGE1C |
| | SP1908F | Handset holder in brushed brass finish for HOXPACKAGE1F |
| | SP1908M | Handset holder in matt black finish for HOXPACKAGE1M |
| 4 | SP1909C | Wall outlet in chrome finish for HOXPACKAGE1C |
| | SP1909F | Wall outlet in brushed brass finish for HOXPACKAGE1F |
| | SP1909M | Wall outlet in matt black finish for HOXPACKAGE1M |

