

# PRODUCT DATA SHEET



## PRODUCT CODE

CROSSBOX

## RANGE

Crossbox

## DESCRIPTION

Crossbox In Universal Rough

## WEBSITE LINK

[Click Here](#)

CATEGORY	Brassware
WARRANTY DETAILS	15 Years
FINISH APPLICATION	Raw/Natural
PRIMARY MATERIAL	Brass
INSTALL TYPE	Wall Mounted
PRODUCT WIDTH MM	166
PRODUCT HEIGHT MM	199
PRODUCT NET WEIGHT KG	1.86

APPROVAL	KIWA - 2501751
NUMBER OF OUTLETS	1-3
INLET CONNECTIONS THREAD	G1/2"
OUTLET CONNECTIONS THREAD	G1/2"

PRESSURE (BAR)	0.2	0.5	1	2	3	4	5
PRIMARY FLOWRATE							
HANDSET FLOWRATE							
MESSAGE FLOW RATE							
AIR FLOW RATE							
WIRE FLOW RATE							
WATERFALL FLOW RATE							
MIST FLOW RATE							
HANDSPRAY FLOW RATE							

## TECHNICAL DIMENSIONS

Dimensions in mm unless otherwise specified.

Tolerances (per material type) apply.



## SPARES LIST

Only the parts labelled are available as spares.

NUMBER	PART CODE	DESCRIPTION
1	E00309000000SA	Crossbox Spare Fitting Kit
2	E25000700000SA	Crossbox Frame for Backplate
3	E25000800000SA	Crossbox Screw Kit



# PRODUCT DATA SHEET

# BRITTON®



## PRODUCT CODE

HOXPACKAGE1C

## RANGE

Hoxton 2.0


## DESCRIPTION

Hoxton 2.0 Shower Set with Outlet Elbow Chrome

CATEGORY	Showering
WARRANTY DETAILS	15 Years
COLOUR	Chrome
FINISH APPLICATION	Electroplated
PRIMARY MATERIAL	Brass
INSTALL TYPE	Wall Mounted
PRODUCT WIDTH MM	111
PRODUCT HEIGHT MM	698
PRODUCT DEPTH MM	85
PRODUCT NET WEIGHT KG	1.64
MINIMUM PRESSURE (BAR)	0.5
MAX WORKING PRESSURE (BAR)	5

NUMBER OF OUTLETS	1
NUMBER OF FUNCTIONS	3
SWIVEL SPOUT	No
INLET CONNECTIONS THREAD	G1/2"
WASTE INCLUDED	No
ANTI-SCALD	No
ENERGY SAVING	No
SHOWER HOSE & HANDSET ARE INCLUDED	Yes

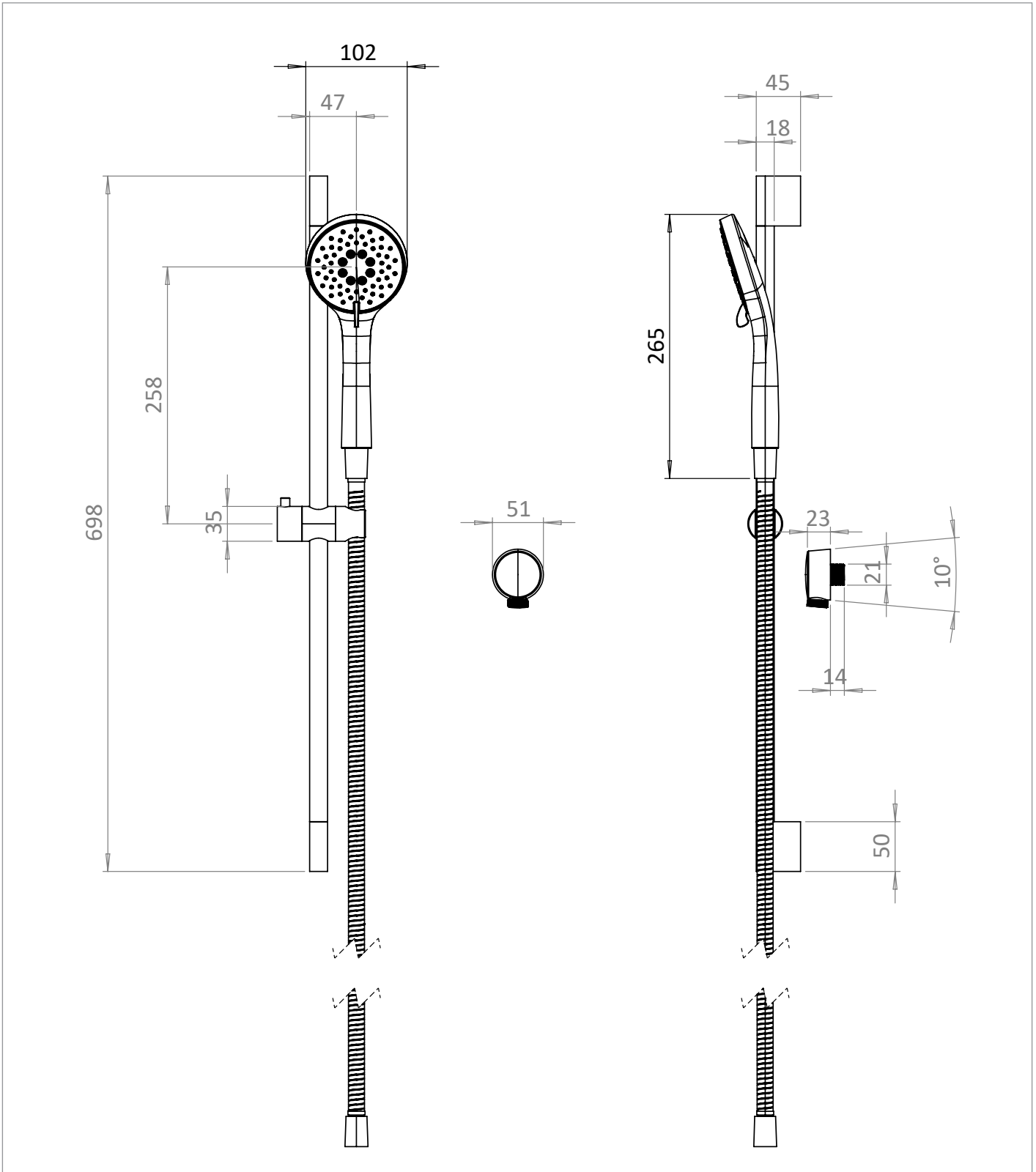
PRESSURE (BAR)	0.2	0.5	1	2	3	4	5
PRIMARY FLOWRATE			10.29	13.26	15.18	17.76	19.38
HANDSET FLOWRATE							
MASSAGE FLOW RATE							
AIR FLOW RATE							
WIRE FLOW RATE							
WATERFALL FLOW RATE							
MIST FLOW RATE							
HANDSPRAY FLOW RATE							

 Part of the Bathroom Brands Group

**TECHNICAL DIMENSIONS**

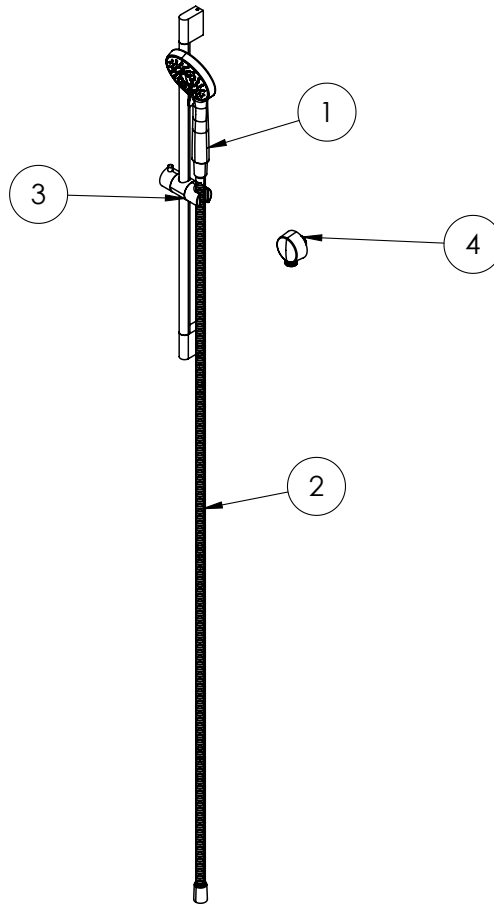
Dimensions in mm unless otherwise specified.

Tolerances (per material type) apply.



## SPARES LIST

Only the parts labelled are available as spares.



NUMBER	PART CODE	DESCRIPTION
1	SP1906C	Shower handset (3 modes) in chrome finish for HOXPACKAGE1C
	SP1906F	Shower handset (3 modes) in brushed brass finish for HOXPACKAGE1F
	SP1906M	Shower handset (3 modes) in matt black finish for HOXPACKAGE1M
2	SP1907C	Shower hose 1500mm length in chrome finish for HOXPACKAGE1C
	SP1907F	Shower hose 1500mm length in brushed brass finish for HOXPACKAGE1F
	SP1907M	Shower hose 1500mm length in matt black finish for HOXPACKAGE1M
3	SP1908C	Handset holder in chrome finish for HOXPACKAGE1C
	SP1908F	Handset holder in brushed brass finish for HOXPACKAGE1F
	SP1908M	Handset holder in matt black finish for HOXPACKAGE1M
4	SP1909C	Wall outlet in chrome finish for HOXPACKAGE1C
	SP1909F	Wall outlet in brushed brass finish for HOXPACKAGE1F
	SP1909M	Wall outlet in matt black finish for HOXPACKAGE1M

