

PRODUCT DATA SHEET



PRODUCT CODE

CROSSBOX

RANGE

Crossbox

DESCRIPTION

Crossbox In Universal Rough

WEBSITE LINK

[Click Here](#)

| | |
|-----------------------|--------------|
| CATEGORY | Brassware |
| WARRANTY DETAILS | 15 Years |
| FINISH APPLICATION | Raw/Natural |
| PRIMARY MATERIAL | Brass |
| INSTALL TYPE | Wall Mounted |
| PRODUCT WIDTH MM | 166 |
| PRODUCT HEIGHT MM | 199 |
| PRODUCT NET WEIGHT KG | 1.86 |

| | |
|---------------------------|----------------|
| APPROVAL | KIWA - 2501751 |
| NUMBER OF OUTLETS | 1-3 |
| INLET CONNECTIONS THREAD | G1/2" |
| OUTLET CONNECTIONS THREAD | G1/2" |

| PRESSURE (BAR) | 0.2 | 0.5 | 1 | 2 | 3 | 4 | 5 |
|---------------------|-----|-----|---|---|---|---|---|
| PRIMARY FLOWRATE | | | | | | | |
| HANDSET FLOWRATE | | | | | | | |
| MESSAGE FLOW RATE | | | | | | | |
| AIR FLOW RATE | | | | | | | |
| WIRE FLOW RATE | | | | | | | |
| WATERFALL FLOW RATE | | | | | | | |
| MIST FLOW RATE | | | | | | | |
| HANDSPRAY FLOW RATE | | | | | | | |

SPARES LIST

Only the parts labelled are available as spares.

| NUMBER | PART CODE | DESCRIPTION |
|--------|----------------|------------------------------|
| 1 | E00309000000SA | Crossbox Spare Fitting Kit |
| 2 | E25000700000SA | Crossbox Frame for Backplate |
| 3 | E25000800000SA | Crossbox Screw Kit |



PRODUCT DATA SHEET



PRODUCT CODE

SK963C

RANGE

Shower Kit

DESCRIPTION

Designer Shower Kit With Wall Outlet
Chrome

| | |
|----------------------------|---------------|
| CATEGORY | Brassware |
| WARRANTY DETAILS | 15 Years |
| COLOUR | Chrome |
| FINISH APPLICATION | Electroplated |
| PRIMARY MATERIAL | Brass |
| INSTALL TYPE | Wall Mounted |
| PRODUCT WIDTH MM | 53 |
| PRODUCT HEIGHT MM | 234 |
| PRODUCT DEPTH MM | 77 |
| PRODUCT NET WEIGHT KG | 1 |
| MINIMUM PRESSURE (BAR) | 0.5 |
| MAX WORKING PRESSURE (BAR) | 5 |

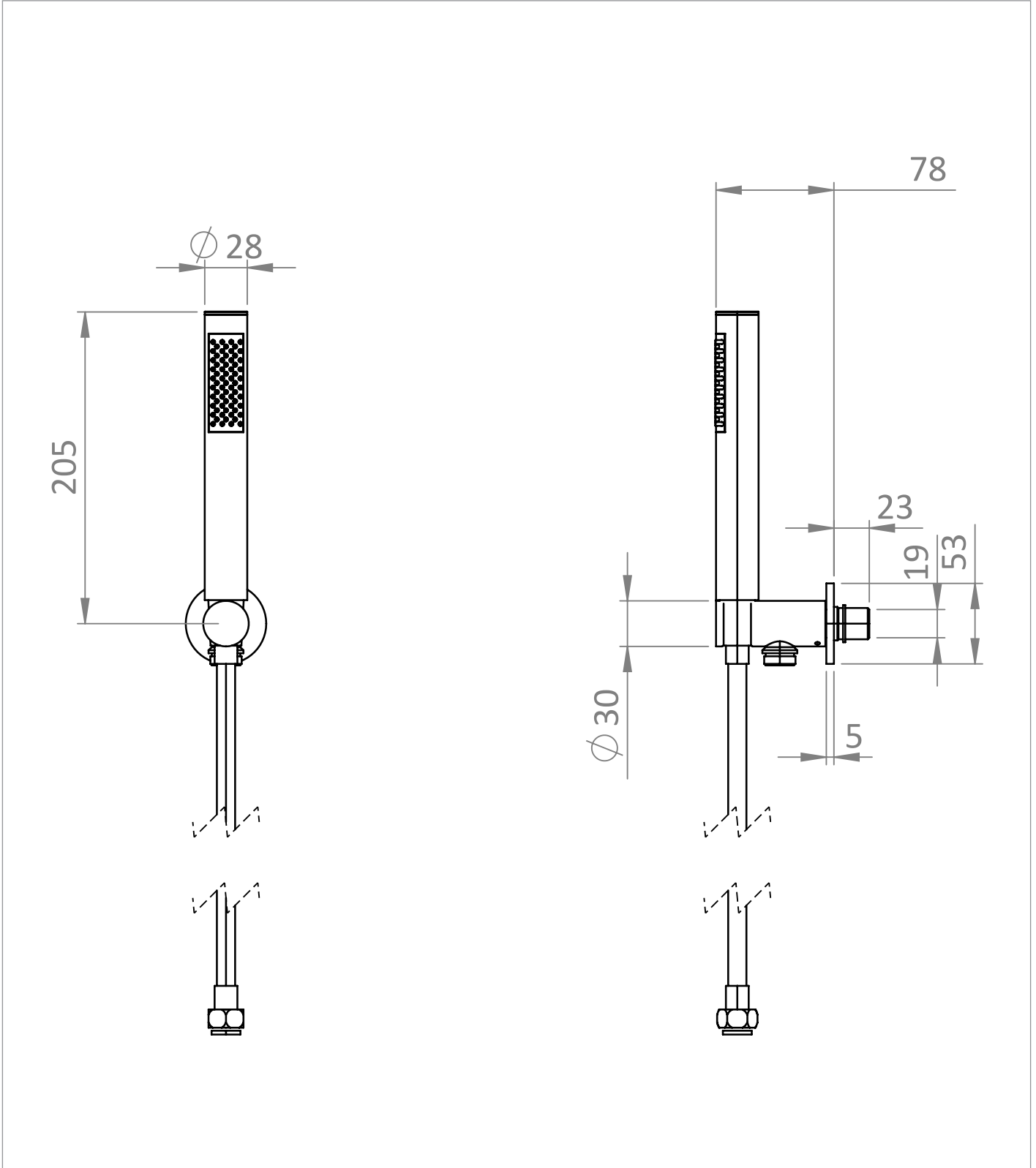
| | |
|--------------------------|----------------|
| APPROVAL | KIWA - 2503723 |
| NUMBER OF OUTLETS | 1 |
| NUMBER OF FUNCTIONS | 1 |
| INLET CONNECTIONS THREAD | G1/2" |
| WASTE INCLUDED | No |
| ANTI-SCALD | No |
| ENERGY SAVING | No |

| PRESSURE (BAR) | 0.2 | 0.5 | 1 | 2 | 3 | 4 | 5 |
|---------------------|-----|------|---|-------|-------|-------|-------|
| PRIMARY FLOWRATE | | | | | | | |
| HANDSET FLOWRATE | | 6.21 | 9 | 12.36 | 15.29 | 18.21 | 20.78 |
| MESSAGE FLOW RATE | | | | | | | |
| AIR FLOW RATE | | | | | | | |
| WIRE FLOW RATE | | | | | | | |
| WATERFALL FLOW RATE | | | | | | | |
| MIST FLOW RATE | | | | | | | |
| HANDSPRAY FLOW RATE | | | | | | | |

TECHNICAL DIMENSIONS

Dimensions in mm unless otherwise specified.

Tolerances (per material type) apply.



SPARES LIST

Only the parts labelled are available as spares.

| NUMBER | PART CODE | DESCRIPTION |
|--------|-----------|--|
| 1 | SH963C | Handset for PRO963 Chrome |
| 2 | T9T260C | Backplate for SK963C |
| 3 | PRO974C | Shower Hose 1.5m Chrome |
| 4 | SHCVC | Inline Shower Check Valve Chrome 1/2"M 1/2"F |

