

# PRODUCT DATA SHEET



## PRODUCT CODE

CROSSBOX

## RANGE

Crossbox

## DESCRIPTION

Crossbox In Universal Rough

## WEBSITE LINK

[Click Here](#)

CATEGORY	Brassware
WARRANTY DETAILS	15 Years
FINISH APPLICATION	Raw/Natural
PRIMARY MATERIAL	Brass
INSTALL TYPE	Wall Mounted
PRODUCT WIDTH MM	166
PRODUCT HEIGHT MM	199
PRODUCT NET WEIGHT KG	1.86

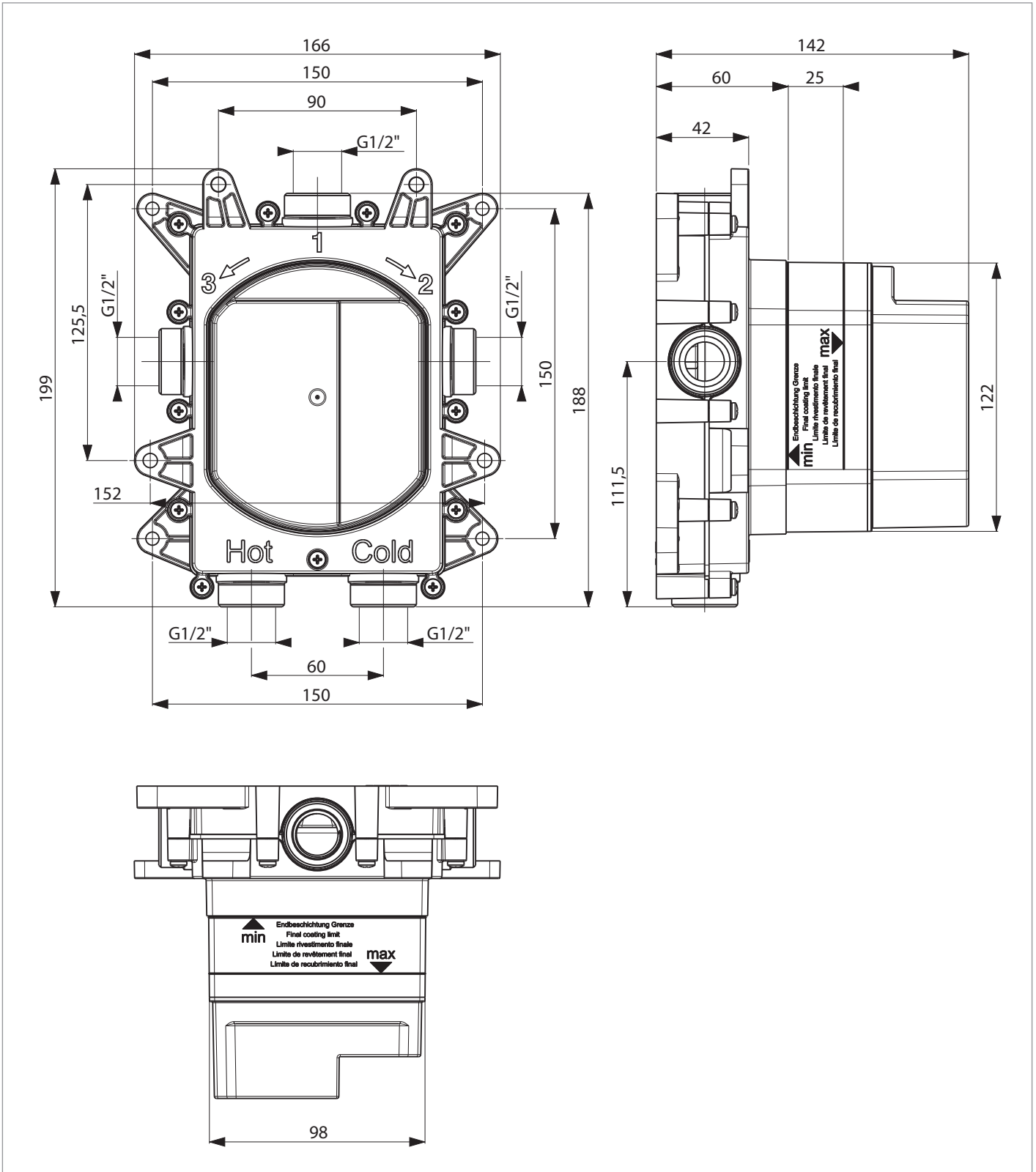
APPROVAL	KIWA - 2501751
NUMBER OF OUTLETS	1-3
INLET CONNECTIONS THREAD	G1/2"
OUTLET CONNECTIONS THREAD	G1/2"

PRESSURE (BAR)	0.2	0.5	1	2	3	4	5
PRIMARY FLOWRATE							
HANDSET FLOWRATE							
MESSAGE FLOW RATE							
AIR FLOW RATE							
WIRE FLOW RATE							
WATERFALL FLOW RATE							
MIST FLOW RATE							
HANDSPRAY FLOW RATE							

## TECHNICAL DIMENSIONS

Dimensions in mm unless otherwise specified.

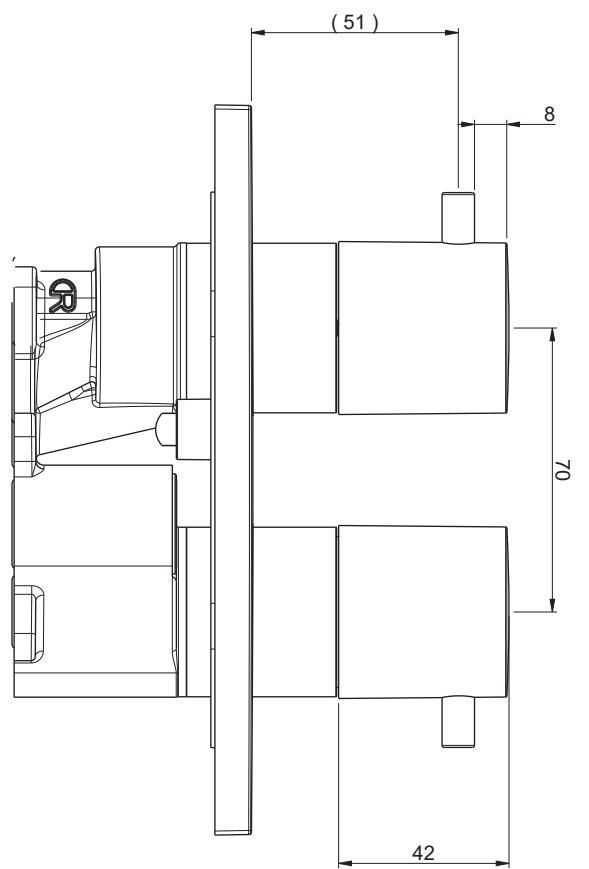
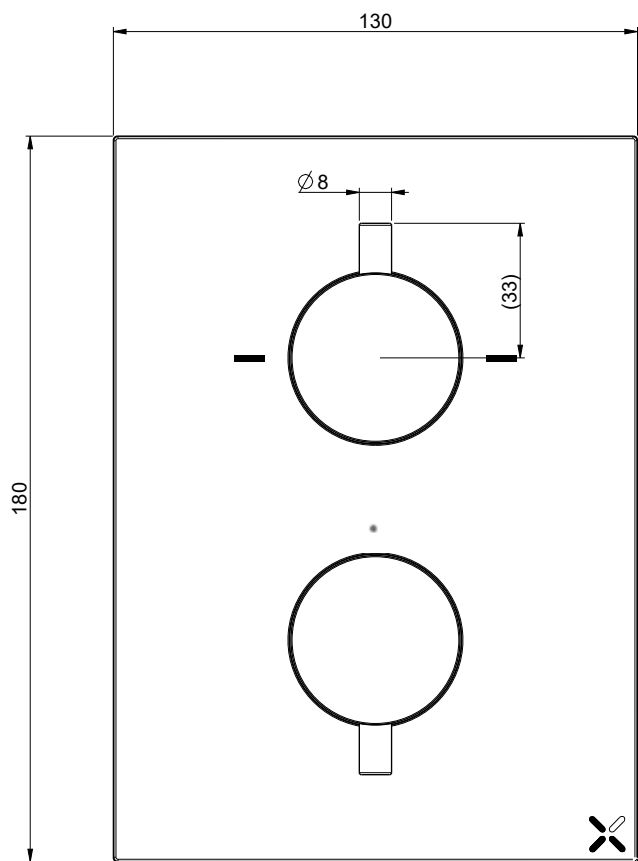
Tolerances (per material type) apply.



## SPARES LIST

Only the parts labelled are available as spares.

NUMBER	PART CODE	DESCRIPTION
1	E00309000000SA	Crossbox Spare Fitting Kit
2	E25000700000SA	Crossbox Frame for Backplate
3	E25000800000SA	Crossbox Screw Kit



# PRODUCT DATA SHEET



## PRODUCT CODE

FH684T\_V2

## RANGE

Shower Arm

## DESCRIPTION

Shower Arm 350mm Slate

## WEBSITE LINK

[Click Here](#)

CATEGORY	Brassware
WARRANTY DETAILS	15 Years
COLOUR	Slate
FINISH APPLICATION	PVD
PRIMARY MATERIAL	Brass
INSTALL TYPE	Wall Mounted
PRODUCT WIDTH MM	340
PRODUCT HEIGHT MM	60
PRODUCT LENGTH MM	110
PRODUCT DEPTH MM	20
PRODUCT NET WEIGHT KG	0.1

STANDARDS	BS EN 1112:2008
APPROVAL	KIWA - 2302755
NUMBER OF OUTLETS	1
NUMBER OF FUNCTIONS	1
SWIVEL SPOUT	No
INLET CONNECTIONS THREAD	G1/2"
OUTLET CONNECTIONS THREAD	G1/2"
WASTE INCLUDED	No
ANTI-SCALD	No
ENERGY SAVING	No

PRESSURE (BAR)	0.2	0.5	1	2	3	4	5
PRIMARY FLOWRATE							
HANDSET FLOWRATE							
MASSAGE FLOW RATE							
AIR FLOW RATE							
WIRE FLOW RATE							
WATERFALL FLOW RATE							
MIST FLOW RATE							
HANDSPRAY FLOW RATE							

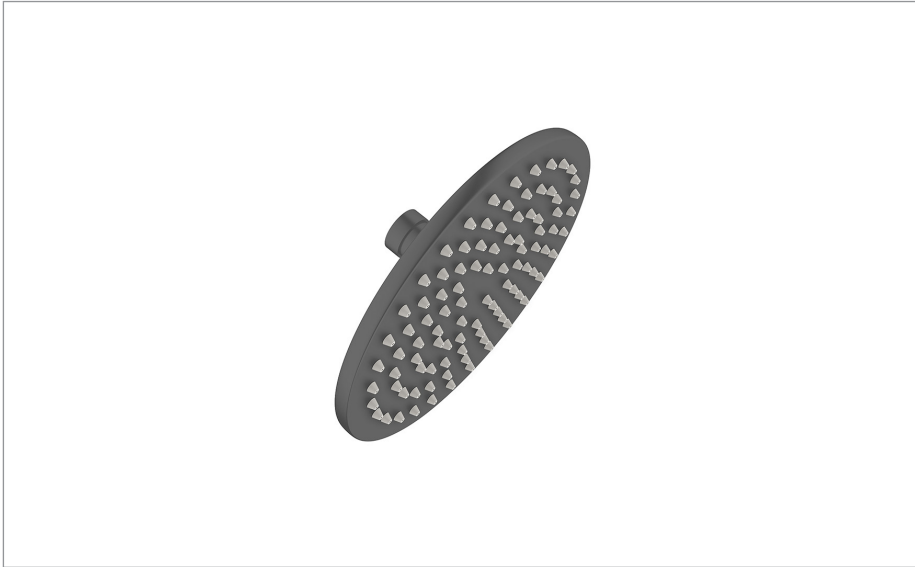


## SPARES LIST

Only the parts labelled are available as spares.

NO SPARES AVAILABLE

# PRODUCT DATA SHEET



## PRODUCT CODE

PRO200T

## RANGE

MPRO

## DESCRIPTION

MPRO 200mm Fixed Head Slate

CATEGORY	Brassware
WARRANTY DETAILS	15 Years
COLOUR	Slate
FINISH APPLICATION	PVD
PRIMARY MATERIAL	Brass
INSTALL TYPE	Wall Mounted/Ceiling Mounted
PRODUCT WIDTH MM	200
PRODUCT HEIGHT MM	58
PRODUCT LENGTH MM	200
PRODUCT NET WEIGHT KG	0.9
MINIMUM PRESSURE (BAR)	0.5
MAX WORKING PRESSURE (BAR)	5

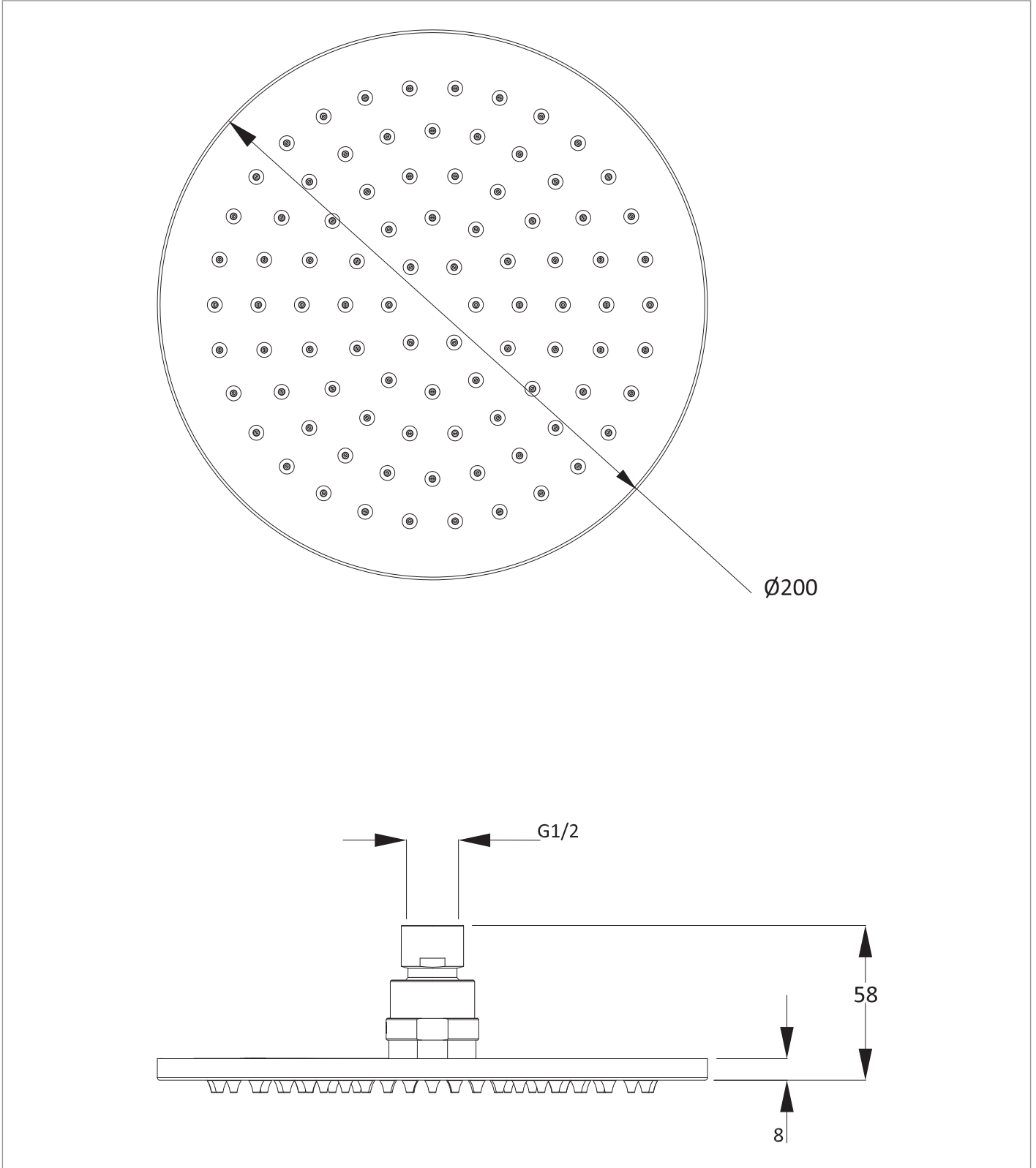
APPROVAL	KIWA -2312748
NUMBER OF OUTLETS	1
NUMBER OF FUNCTIONS	1
SWIVEL SPOUT	No
INLET CONNECTIONS THREAD	G1/2"
WASTE INCLUDED	No
ANTI-SCALD	No
ENERGY SAVING	No

PRESSURE (BAR)	0.2	0.5	1	2	3	4	5
PRIMARY FLOWRATE	11.16	12.75	16.48	23.31	26.58	31.36	35.39
HANDSET FLOWRATE							
MESSAGE FLOW RATE							
AIR FLOW RATE							
WIRE FLOW RATE							
WATERFALL FLOW RATE							
MIST FLOW RATE							
HANDSPRAY FLOW RATE							

## TECHNICAL DIMENSIONS

Dimensions in mm unless otherwise specified.

Tolerances (per material type) apply.

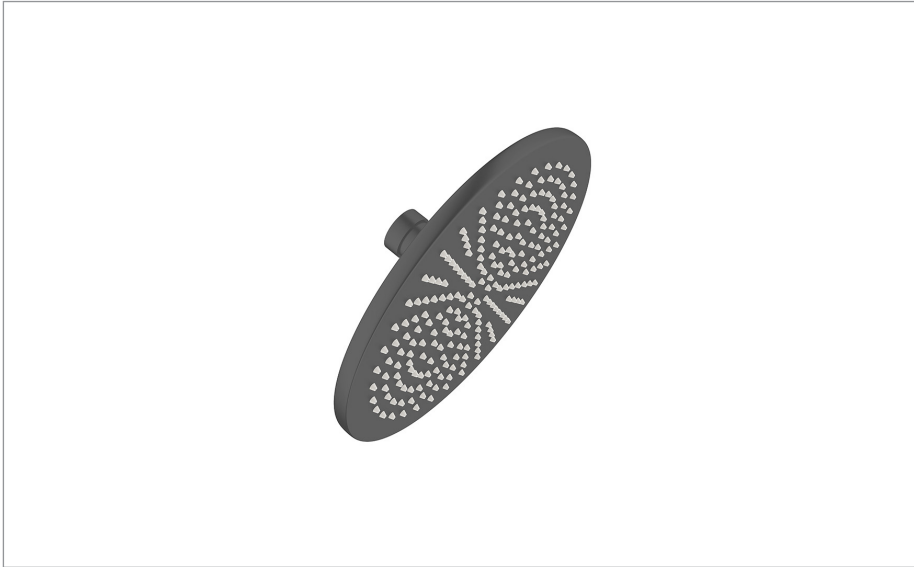


## SPARES LIST

Only the parts labelled are available as spares.

**NO SPARES AVAILABLE**

# PRODUCT DATA SHEET



## PRODUCT CODE

PRO300T

## RANGE

MPRO

## DESCRIPTION

MPRO 300mm Fixed Head Slate

## WEBSITE LINK

[Click Here](#)

CATEGORY	Brassware
WARRANTY DETAILS	15 Years
COLOUR	Slate
FINISH APPLICATION	PVD
PRIMARY MATERIAL	Brass
INSTALL TYPE	Wall Mounted/Ceiling Mounted
PRODUCT WIDTH MM	300
PRODUCT HEIGHT MM	58
PRODUCT LENGTH MM	300
PRODUCT DEPTH MM	300
PRODUCT NET WEIGHT KG	2.4
MINIMUM PRESSURE (BAR)	0.5
MAX WORKING PRESSURE (BAR)	5

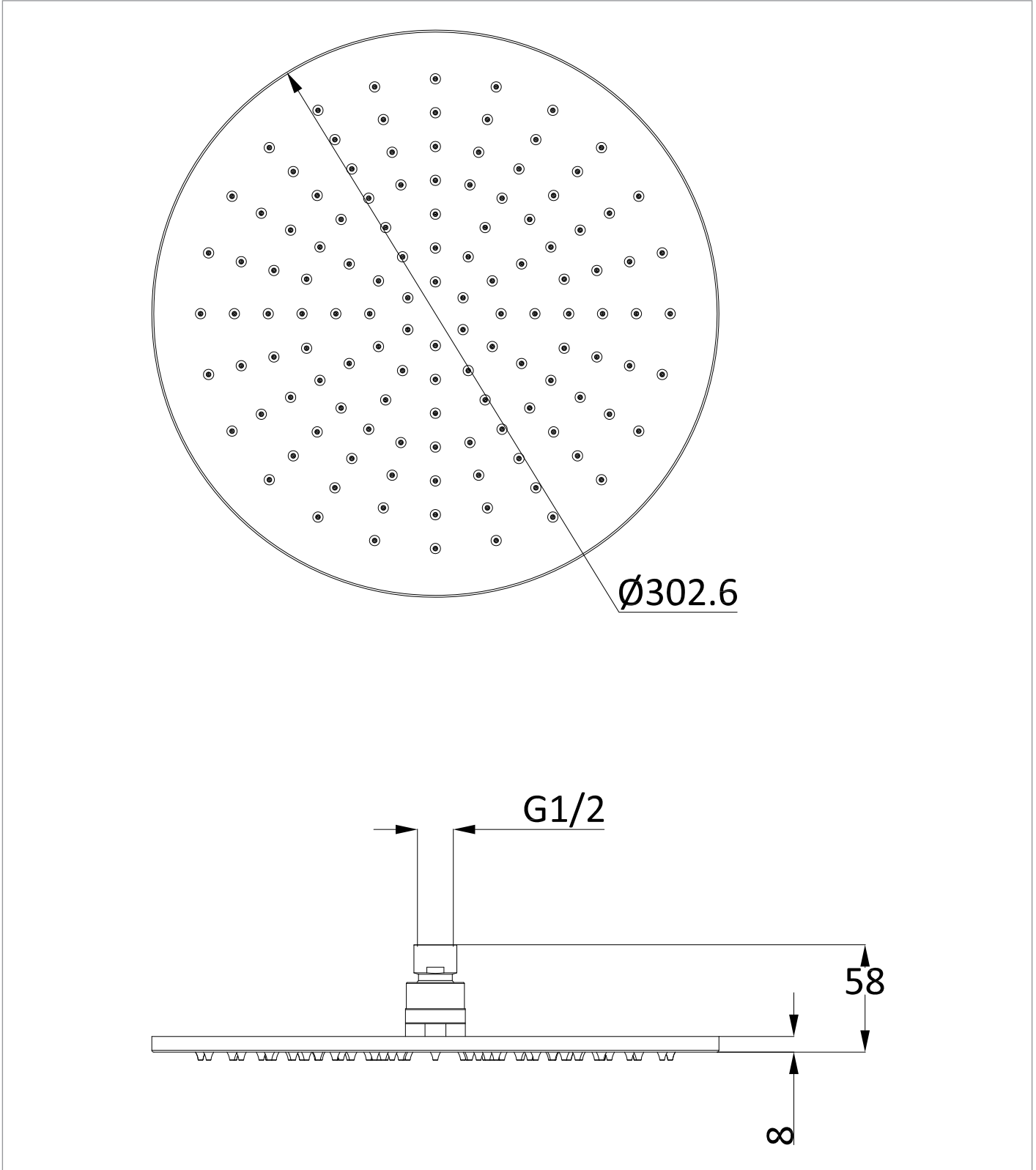
APPROVAL	KIWA - 2312748
NUMBER OF OUTLETS	1
NUMBER OF FUNCTIONS	1
INLET CONNECTIONS THREAD	G1/2"
WASTE INCLUDED	No
ANTI-SCALD	No
ENERGY SAVING	No

PRESSURE (BAR)	0.2	0.5	1	2	3	4	5
PRIMARY FLOWRATE		12.91	16.7	22.02	24.07	27.87	31.13
HANDSET FLOWRATE							
MESSAGE FLOW RATE							
AIR FLOW RATE							
WIRE FLOW RATE							
WATERFALL FLOW RATE							
MIST FLOW RATE							
HANDSPRAY FLOW RATE							

## TECHNICAL DIMENSIONS

Dimensions in mm unless otherwise specified.

Tolerances (per material type) apply.



## SPARES LIST

Only the parts labelled are available as spares.

NO SPARES AVAILABLE

# PRODUCT DATA SHEET



## PRODUCT CODE

SK971T

## RANGE

Shower Kit

## DESCRIPTION

Shower Set with Outlet Elbow Slate

CATEGORY	Brassware
WARRANTY DETAILS	15 Years
COLOUR	Slate
FINISH APPLICATION	PVD
PRIMARY MATERIAL	Brass
SECONDARY MATERIAL	ABS
INSTALL TYPE	Wall Mounted
PRODUCT WIDTH MM	111
PRODUCT HEIGHT MM	698
PRODUCT DEPTH MM	45
PRODUCT NET WEIGHT KG	1.64
MINIMUM PRESSURE (BAR)	1
MAX WORKING PRESSURE (BAR)	5

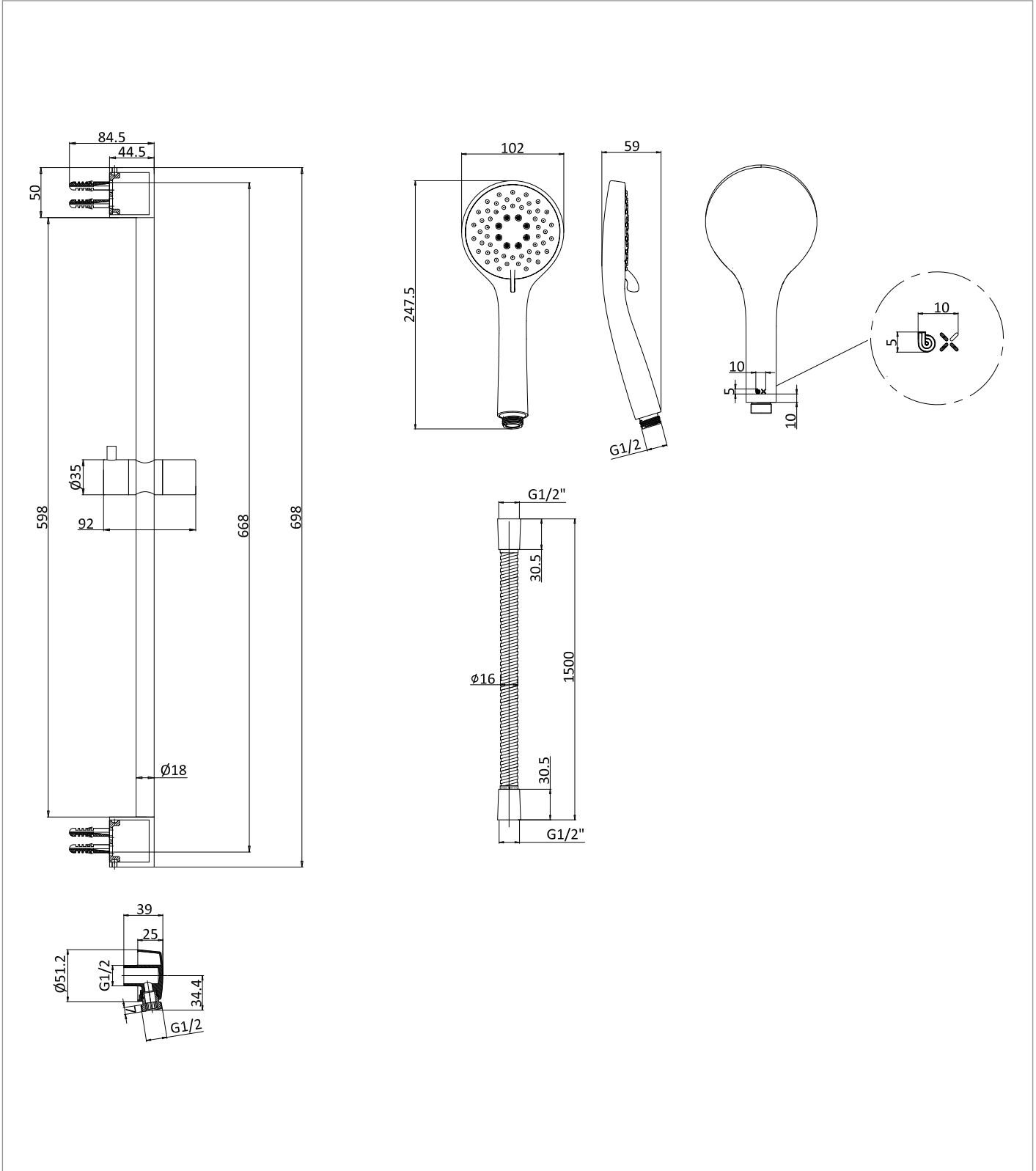
APPROVAL	WRAS - 251188002
NUMBER OF OUTLETS	1
NUMBER OF FUNCTIONS	3
INLET CONNECTIONS THREAD	G1/2"
WASTE INCLUDED	No
ANTI-SCALD	No
ENERGY SAVING	No

PRESSURE (BAR)	0.2	0.5	1	2	3	4	5
PRIMARY FLOWRATE			10.29	13.26	15.18	17.76	19.38
HANDSET FLOWRATE							
MASSAGE FLOW RATE							
AIR FLOW RATE							
WIRE FLOW RATE							
WATERFALL FLOW RATE							
MIST FLOW RATE							
HANDSPRAY FLOW RATE							

## TECHNICAL DIMENSIONS

Dimensions in mm unless otherwise specified.

Tolerances (per material type) apply.



## SPARES LIST

Only the parts labelled are available as spares.

--