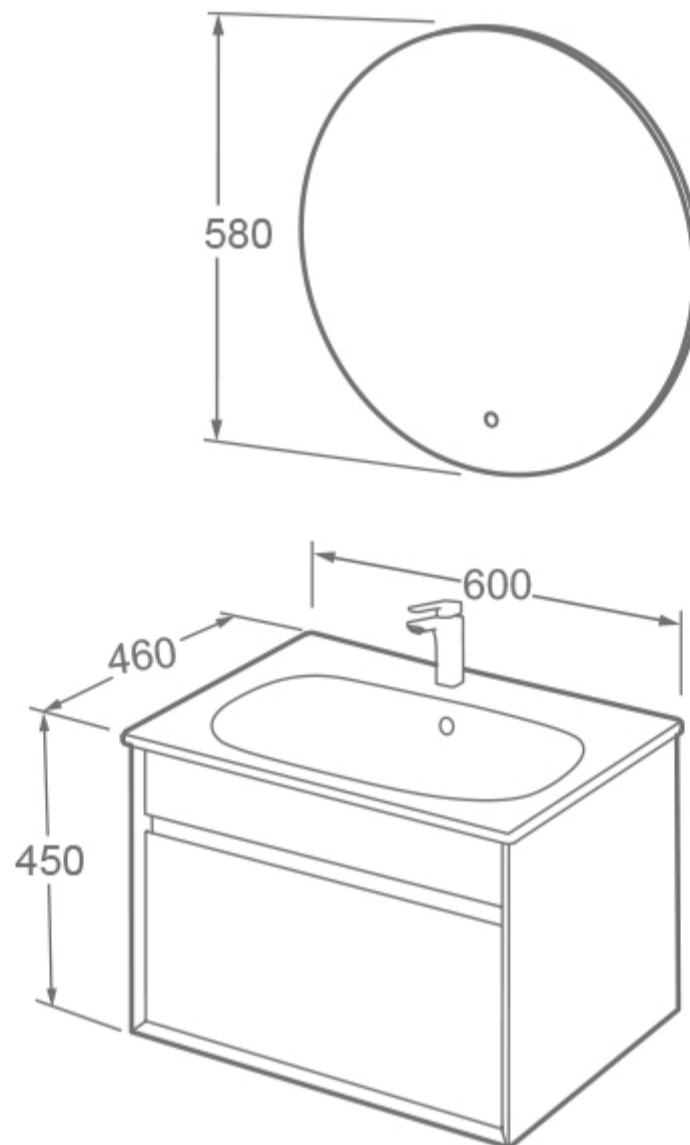


## ALMA 600MM WALL MOUNTED SINGLE DRAWER CABINET

SKU: N/A

### TECHNICAL DRAWING



<b>Weight</b>	0.196 kg
<b>Colour</b>	Natural Oak, Matt White, Natural Stone, Slate, Grey Marble
<b>Range</b>	Alma
<b>Size</b>	600mm

Dimensions are in millimetres except thread sizes which are BSP imperial.

#### NOTES

Our guarantee is subject to the product having been installed, used and maintained in accordance with our instructions. All working parts (such as hinges, ceramic disks, cartridges, seals and cistern fittings), which are subject to normal wear and tear, are covered for 36 months from proof of purchase date. This excludes seats, which are covered for 12 months.

Our guarantee applies to the original purchaser and is nontransferable. Our guarantee is only applicable in the UK and ROI. This does not affect your statutory rights.

Information is provided for guidance only and is non-binding. All measurements are approximate and subject to standard tolerances. We reserve the right to change product specifications without prior notification.

Bathrooms designed to inspire, **built to last.**

T:01530 835598 E: sales@imex.team imex.website

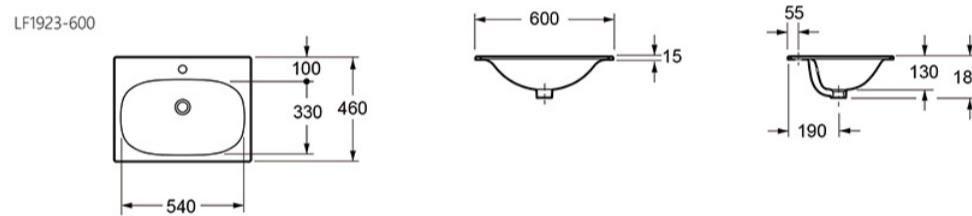
Imex Ceramic UK Ltd  
15 Sybron Way, Millbrook Industrial Estate, Crowborough, East Sussex, TN6 3DZ

VAT Ref No: 101013309

## ALMA 600MM SLIMLINE CERAMIC BASIN 1TH

SKU: LF1923-600

### TECHNICAL DRAWING



<b>Weight</b>	0.036 kg
<b>Range</b>	Alma, Croma
<b>Type</b>	1 Tap hole

Dimensions are in millimetres except thread sizes which are BSP imperial.

#### NOTES

Our guarantee is subject to the product having been installed, used and maintained in accordance with our instructions. All working parts (such as hinges, ceramic disks, cartridges, seals and cistern fittings), which are subject to normal wear and tear, are covered for 36 months from proof of purchase date. This excludes seats, which are covered for 12 months. Our guarantee applies to the original purchaser and is nontransferable. Our guarantee is only applicable in the UK and ROI. This does not affect your statutory rights.

Information is provided for guidance only and is non-binding. All measurements are approximate and subject to standard tolerances. We reserve the right to change product specifications without prior notification.

Bathrooms designed to inspire, **built to last.**

T:01530 835598 E: sales@imex.team imex.website

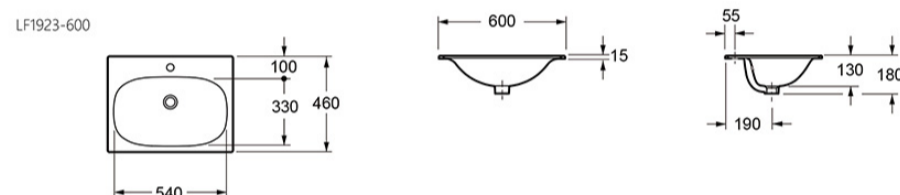
Imex Ceramic UK Ltd  
15 Sybron Way, Millbrook Industrial Estate, Crowborough, East Sussex, TN6 3DZ

VAT Ref No: 101013309

## ALMA 600MM SLIMLINE CERAMIC BASIN 1TH IN BLACK

SKU: LF1923-600BL

### TECHNICAL DRAWING



<b>Weight</b>	0.036 kg
<b>Range</b>	Alma, Croma
<b>Size</b>	600mm

Dimensions are in millimetres except thread sizes which are BSP imperial.

#### NOTES

Our guarantee is subject to the product having been installed, used and maintained in accordance with our instructions. All working parts (such as hinges, ceramic disks, cartridges, seals and cistern fittings), which are subject to normal wear and tear, are covered for 36 months from proof of purchase date. This excludes seats, which are covered for 12 months. Our guarantee applies to the original purchaser and is nontransferable. Our guarantee is only applicable in the UK and ROI. This does not affect your statutory rights.

Information is provided for guidance only and is non-binding. All measurements are approximate and subject to standard tolerances. We reserve the right to change product specifications without prior notification.

Bathrooms designed to inspire, **built to last.**

T:01530 835598 E: sales@imex.team imex.website

Imex Ceramic UK Ltd  
15 Sybron Way, Millbrook Industrial Estate, Crowborough, East Sussex, TN6 3DZ

VAT Ref No: 101013309

## PLASTIC BASIN OVERFLOW COVER IN BRUSHED BRASS

SKU: OVBR

<b>Weight</b>	0.02 kg
<b>Range</b>	Blade, Arco

Dimensions are in millimetres except thread sizes which are BSP imperial.

### NOTES

Our guarantee is subject to the product having been installed, used and maintained in accordance with our instructions. All working parts (such as hinges, ceramic disks, cartridges, seals and cistern fittings), which are subject to normal wear and tear, are covered for 36 months from proof of purchase date. This excludes seats, which are covered for 12 months. Our guarantee applies to the original purchaser and is nontransferable. Our guarantee is only applicable in the UK and ROI. This does not affect your statutory rights.

Information is provided for guidance only and is non-binding. All measurements are approximate and subject to standard tolerances. We reserve the right to change product specifications without prior notification.

## PLASTIC BASIN OVERFLOW COVER IN MATT BLACK

SKU: OVMB

<b>Weight</b>	0.02 kg
<b>Range</b>	Blade, Arco

Dimensions are in millimetres except thread sizes which are BSP imperial.

### NOTES

Our guarantee is subject to the product having been installed, used and maintained in accordance with our instructions. All working parts (such as hinges, ceramic disks, cartridges, seals and cistern fittings), which are subject to normal wear and tear, are covered for 36 months from proof of purchase date. This excludes seats, which are covered for 12 months. Our guarantee applies to the original purchaser and is nontransferable. Our guarantee is only applicable in the UK and ROI. This does not affect your statutory rights.

Information is provided for guidance only and is non-binding. All measurements are approximate and subject to standard tolerances. We reserve the right to change product specifications without prior notification.