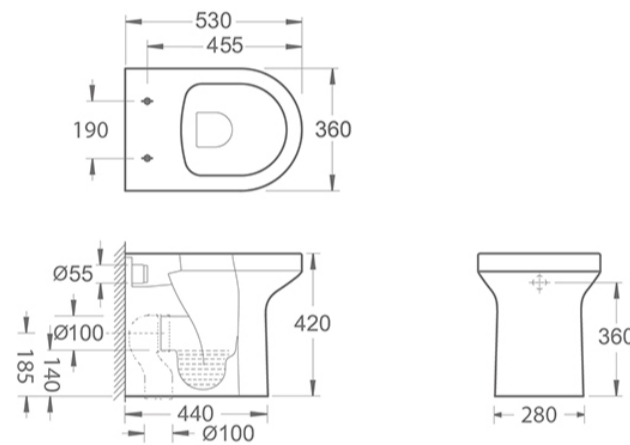


ALMA RIMLESS BACK TO WALL PAN

SKU: CB10156R

TECHNICAL DRAWING

CB10156R



Weight	0.087 kg
Range	Alma
Type	Rimless

Dimensions are in millimetres except thread sizes which are BSP imperial.

NOTES

Our guarantee is subject to the product having been installed, used and maintained in accordance with our instructions. All working parts (such as hinges, ceramic disks, cartridges, seals and cistern fittings), which are subject to normal wear and tear, are covered for 36 months from proof of purchase date. This excludes seats, which are covered for 12 months. Our guarantee applies to the original purchaser and is nontransferable. Our guarantee is only applicable in the UK and ROI. This does not affect your statutory rights.

Information is provided for guidance only and is non-binding. All measurements are approximate and subject to standard tolerances. We reserve the right to change product specifications without prior notification.

Bathrooms designed to inspire, **built to last.**

T:01530 835598 E: sales@imex.team imex.website

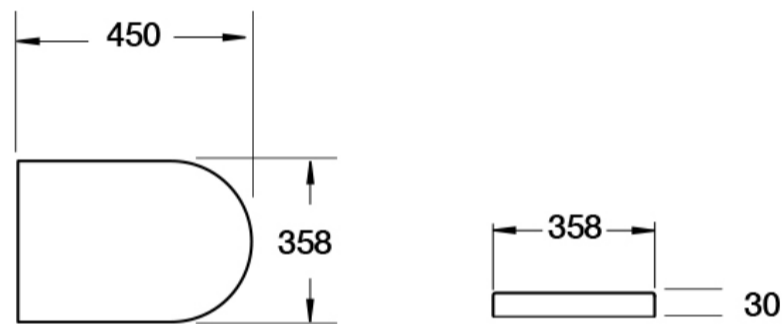
Imex Ceramic UK Ltd
15 Sybron Way, Millbrook Industrial Estate, Crowborough, East Sussex, TN6 3DZ

VAT Ref No: 101013309

ARCO / BLADE / ALMA SLIMLINE WRAP SOFT CLOSE, QUICK RELEASE DURAPLUS SEAT

SKU: SSW1088SCQRN

TECHNICAL DRAWING



Weight	0.015 kg
Range	Blade, Alma, Arco

Dimensions are in millimetres except thread sizes which are BSP imperial.

NOTES

Our guarantee is subject to the product having been installed, used and maintained in accordance with our instructions. All working parts (such as hinges, ceramic disks, cartridges, seals and cistern fittings), which are subject to normal wear and tear, are covered for 36 months from proof of purchase date. This excludes seats, which are covered for 12 months. Our guarantee applies to the original purchaser and is nontransferable. Our guarantee is only applicable in the UK and ROI. This does not affect your statutory rights.

Information is provided for guidance only and is non-binding. All measurements are approximate and subject to standard tolerances. We reserve the right to change product specifications without prior notification.

Bathrooms designed to inspire, **built to last.**

T:01530 835598 E: sales@imex.team imex.website

Imex Ceramic UK Ltd
15 Sybron Way, Millbrook Industrial Estate, Crowborough, East Sussex, TN6 3DZ

VAT Ref No: 101013309

SEAT FIXING IN BRUSHED BRASS

SKU: UNSFBRN

Weight	0.02 kg
Range	Blade, Arco

Dimensions are in millimetres except thread sizes which are BSP imperial.

NOTES

Our guarantee is subject to the product having been installed, used and maintained in accordance with our instructions.

All working parts (such as hinges, ceramic disks, cartridges, seals and cistern fittings), which are subject to normal wear and tear, are covered for 36 months from proof of purchase date. This excludes seats, which are covered for 12 months.

Our guarantee applies to the original purchaser and is nontransferable. Our guarantee is only applicable in the UK and ROI.

This does not affect your statutory rights.

Information is provided for guidance only and is non-binding. All measurements are approximate and subject to standard tolerances. We reserve the right to change product specifications without prior notification.

SEAT FIXING IN MATT BLACK

SKU: UNSFMBN

Weight	0.02 kg
Range	Blade, Arco

Dimensions are in millimetres except thread sizes which are BSP imperial.

NOTES

Our guarantee is subject to the product having been installed, used and maintained in accordance with our instructions. All working parts (such as hinges, ceramic disks, cartridges, seals and cistern fittings), which are subject to normal wear and tear, are covered for 36 months from proof of purchase date. This excludes seats, which are covered for 12 months. Our guarantee applies to the original purchaser and is nontransferable. Our guarantee is only applicable in the UK and ROI. This does not affect your statutory rights.

Information is provided for guidance only and is non-binding. All measurements are approximate and subject to standard tolerances. We reserve the right to change product specifications without prior notification.