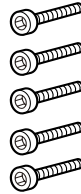
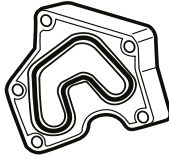
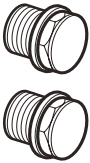
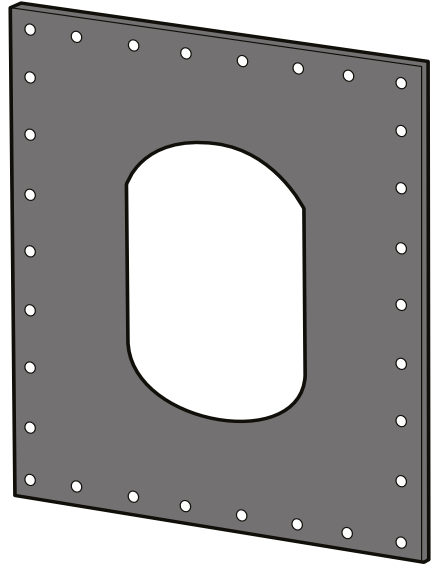
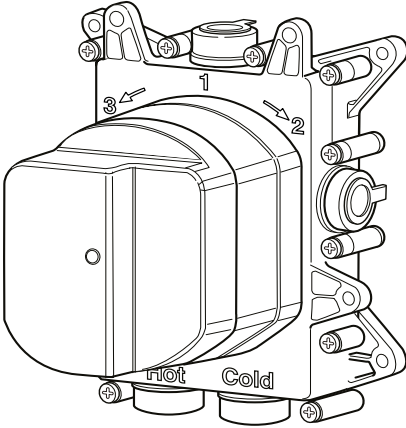


## CROSSBOX

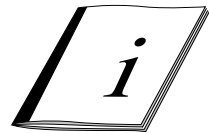
### *Mounting Instructions*

# 1

## PACKAGE CONTENT



Mounting instructions



Pressure range min/max 0,5/5 bar  
(in case of water pressure higher than 5 bar we recommend installing pressure reducers).

Recommended pressure 3 bar.

Operation:

Either with gas or electric accumulation boilers.

Centralised systems.

***The product should only be installed by a suitably qualified plumber/installer.***

---

Safety lock at: 41° C

Min. Working temperature: 3° C

Min. recommended: 15° C

Max. Working temperature: 70° C

Max. recommended: 65° C

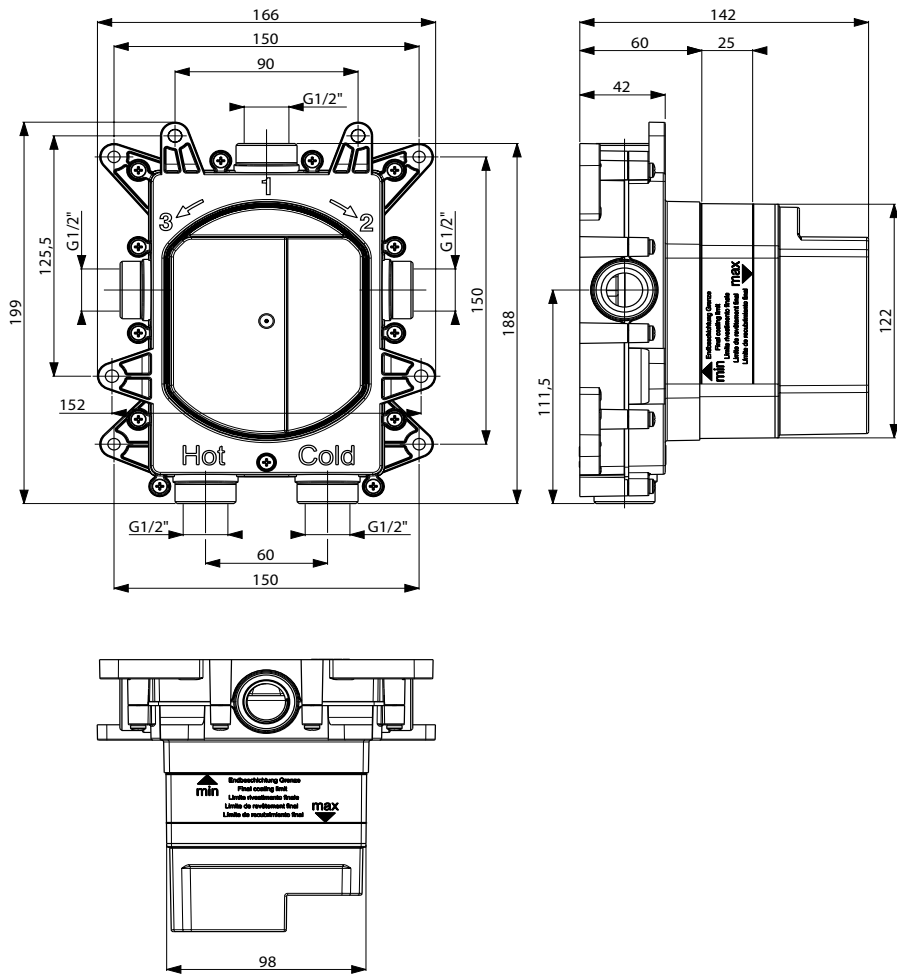
Recommended thermal differential 50° C

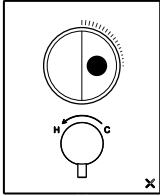
Thermal disinfection is allowed.

Safety system with flow stop in case of lack of one of the two waters.

---

**Warning: contact the plumber for the choice of the best water heating device.**

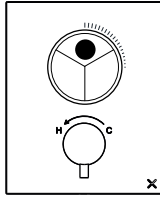


Press.	FLOW RATE ( L/min )			
	Push button 2 ways			
	Exit 1		Exit 2	
				
bar	min.	max.	min.	max.
0,5	1,5	7,5	1,5	7,5
1	2,3	11,3	2,3	11,2
2	3,5	16,5	3,5	16
3	4,5	20,5	4,5	20
4	5,5	23,7	5,2	22,8
5	5,7	26,5	5,7	25,5

**Press.**

**FLOW RATE ( L/min )**

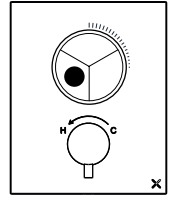
Push button 3 ways



Exit 1



Exit 2



Exit 3

bar

min. max.

min. max.

min. max.

0,5

1,8 8,1

1,8 7,7

1,8 7,7

1

2,7 11,8

2,6 11,5

2,6 11,5

2

3,9 16,8

3,9 16,7

3,9 16,7

3

4,8 20,7

4,8 20,5

4,8 20,5

4

5,5 24

5,5 23,7

5,5 23,7

5

6,2 26,7

6,2 26,6

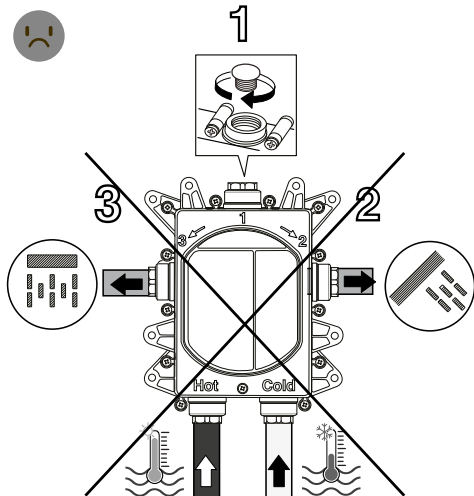
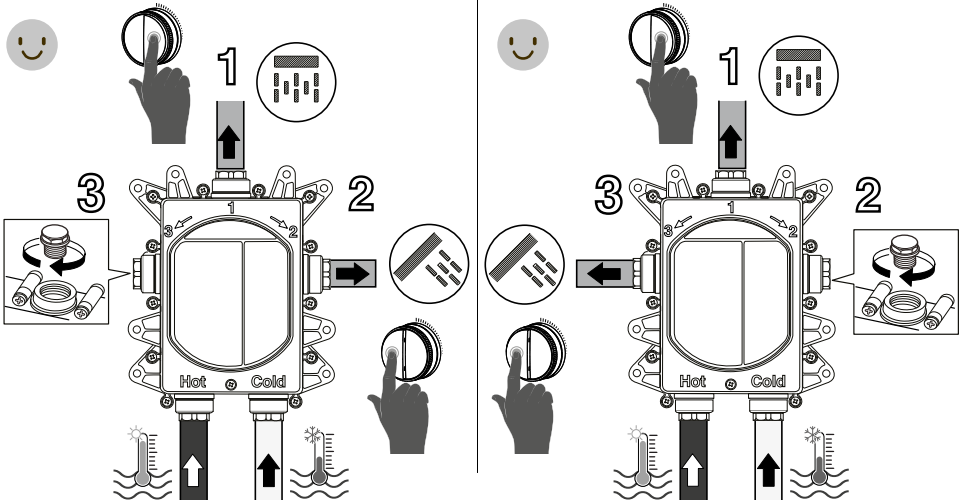
6,2 26,6



## 2 WAYS - ONLY PUSH VERSION



**ATTENTION:**  
indications valid only  
for PUSH VERSION!





3 WAYS - ONLY PUSH VERSION



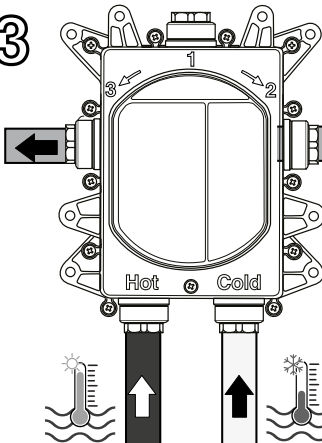
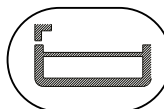
ATTENTION:  
indications valid only  
for PUSH VERSION!



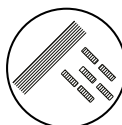
1

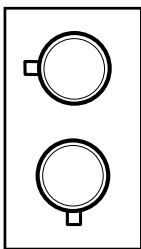
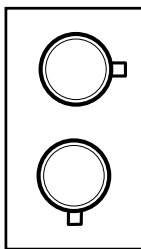
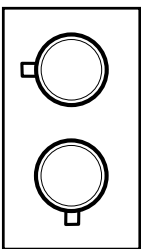
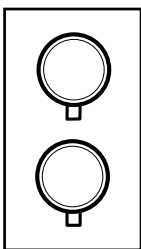


3



2

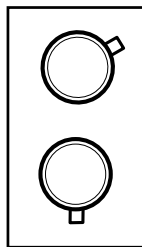


Press.	FLOW RATE ( L/min )			
	Term. 1 way	Term. 2 way		
				
bar	Exit 1/2/3	Exit 2	Exit 3	Mix
0,5	8,2	8,2	8,2	9,2
1	11,7	11,7	11,7	13,2
2	16,7	16,4	16,4	18,7
3	20,7	20	20	22,9
4	24	23	23	26,4
5	26,6	25,8	25,8	29,5

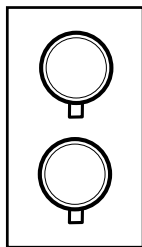
Press.

FLOW RATE ( L/min )

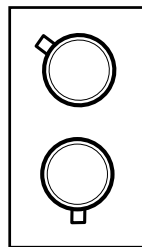
Term. 3 ways



Exit 1



Exit 2



Exit 3

bar

0,5

9,4

8,1

8,1

1

13,4

11,6

11,6

2

19,2

16,6

16,6

3

23,7

20,5

20,5

4

27,4

23,8

23,8

5

30,5

26,6

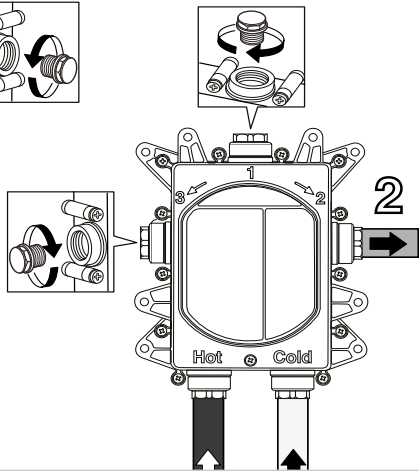
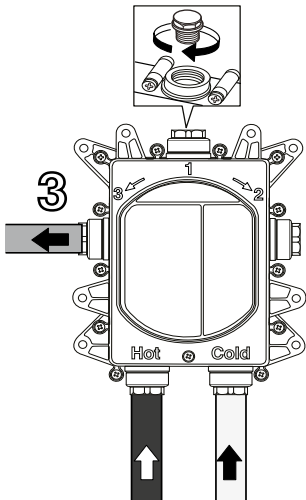
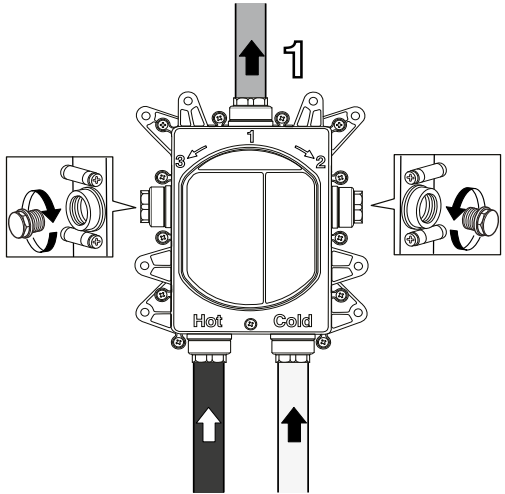
26,6



**ATTENTION:**  
indications valid only  
for **OTHER VERSIONS!**

*Use hemp or teflon*

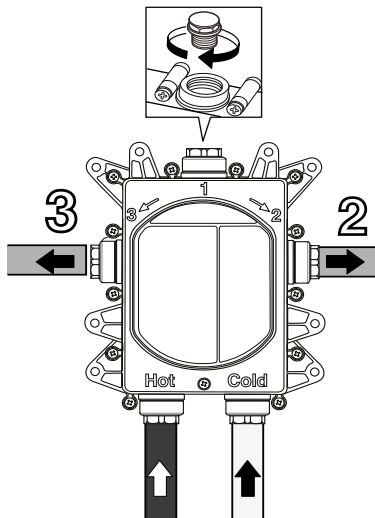
**1 way**



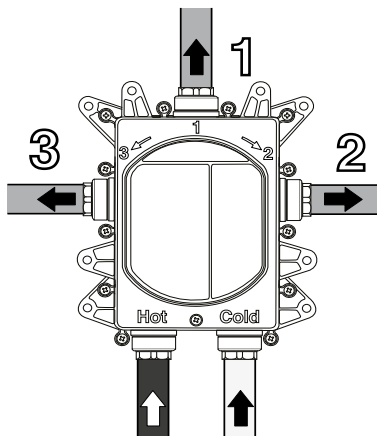


**ATTENTION:**  
indications valid only  
for **OTHER VERSIONS!**

**2 ways**

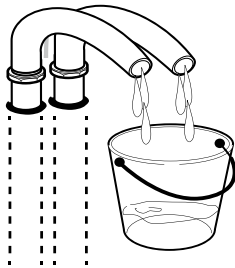
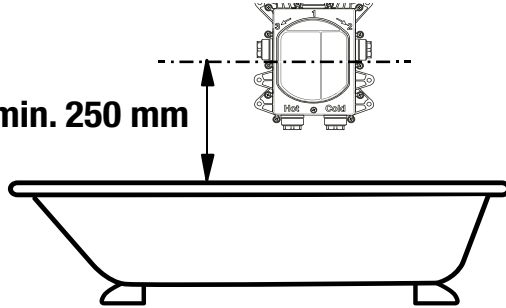


**3 ways**

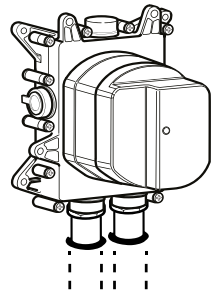
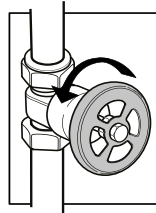


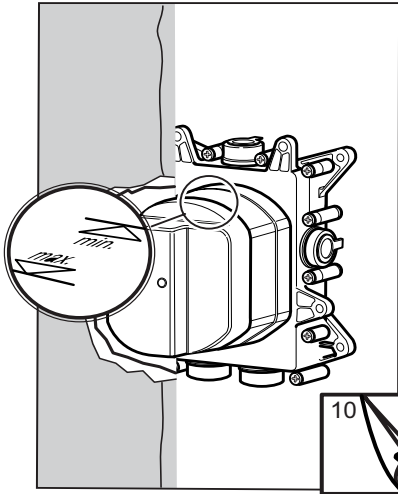


min. 250 mm

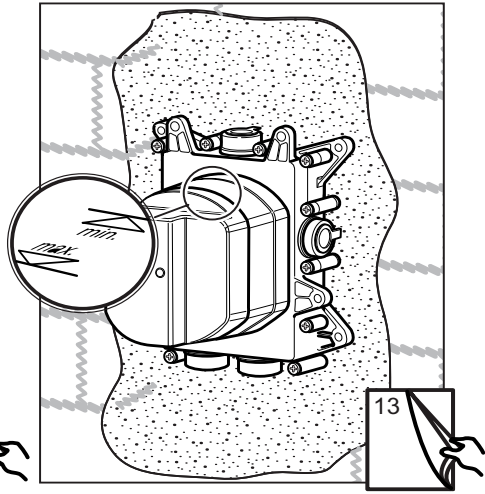


1° → 2°

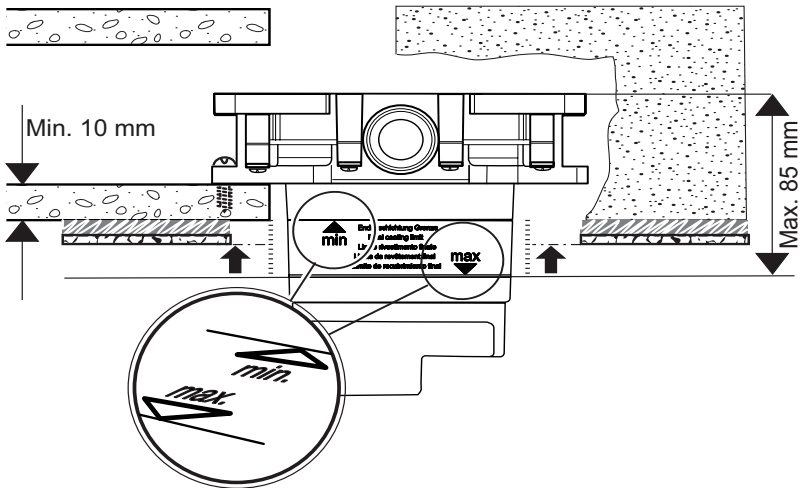


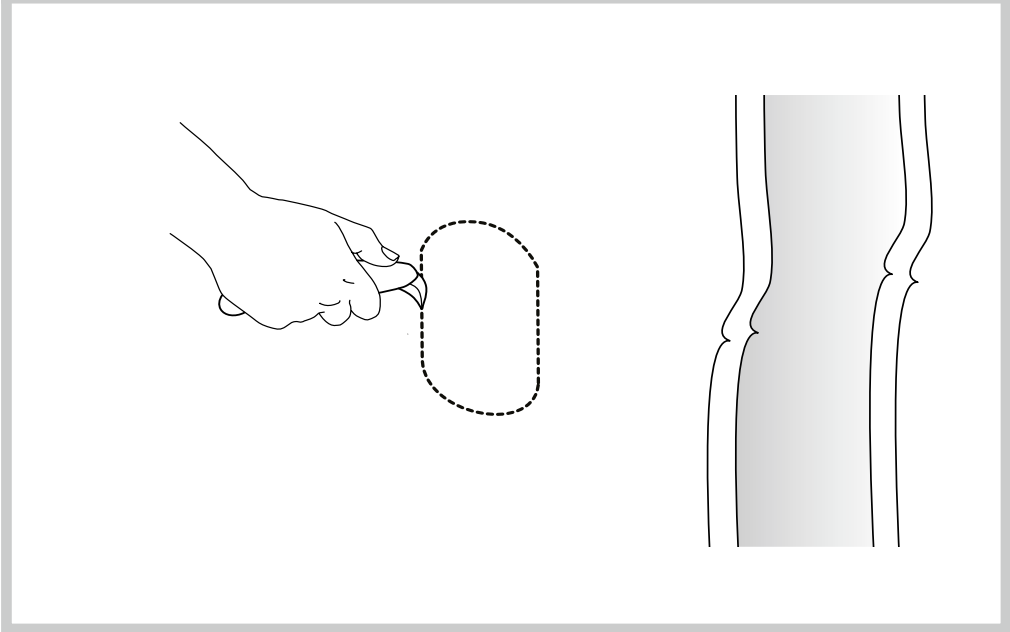
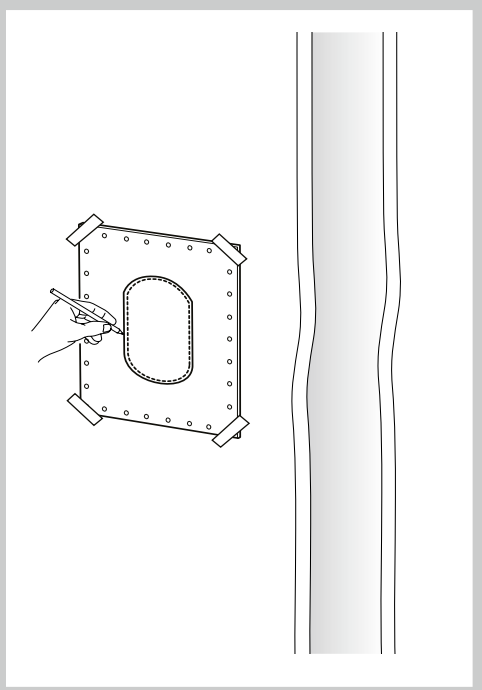
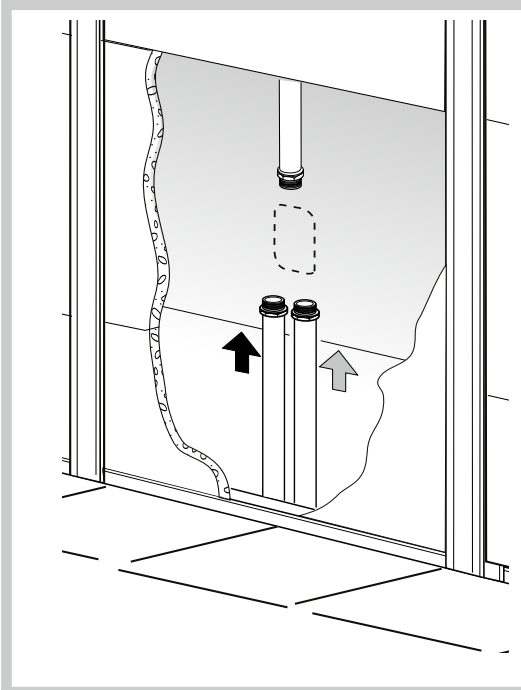


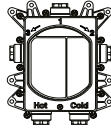
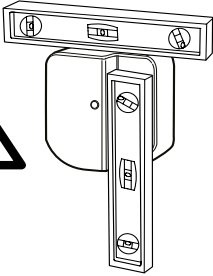
Mounting on plasterboard wall



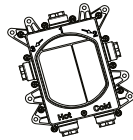
Wall mounting



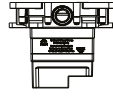




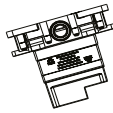
OK



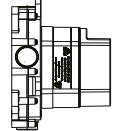
NO



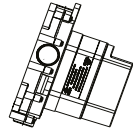
OK



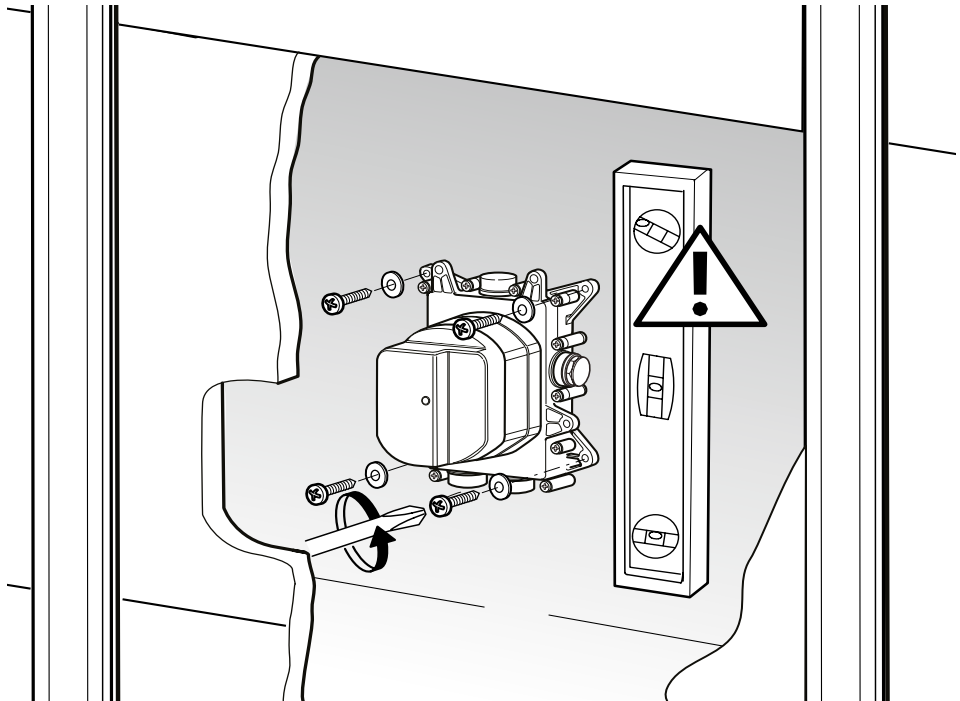
NO

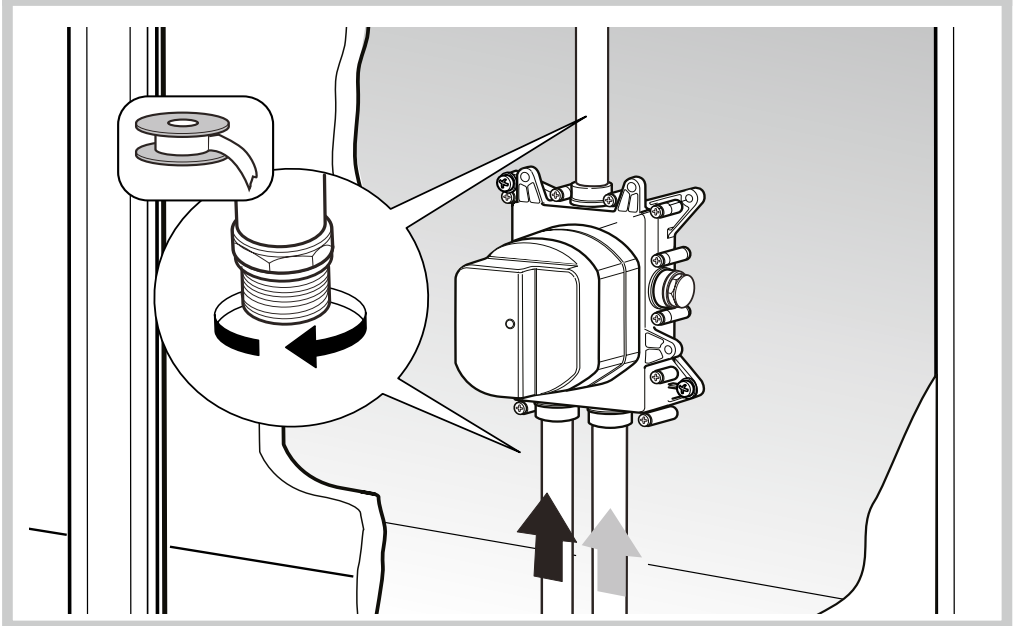
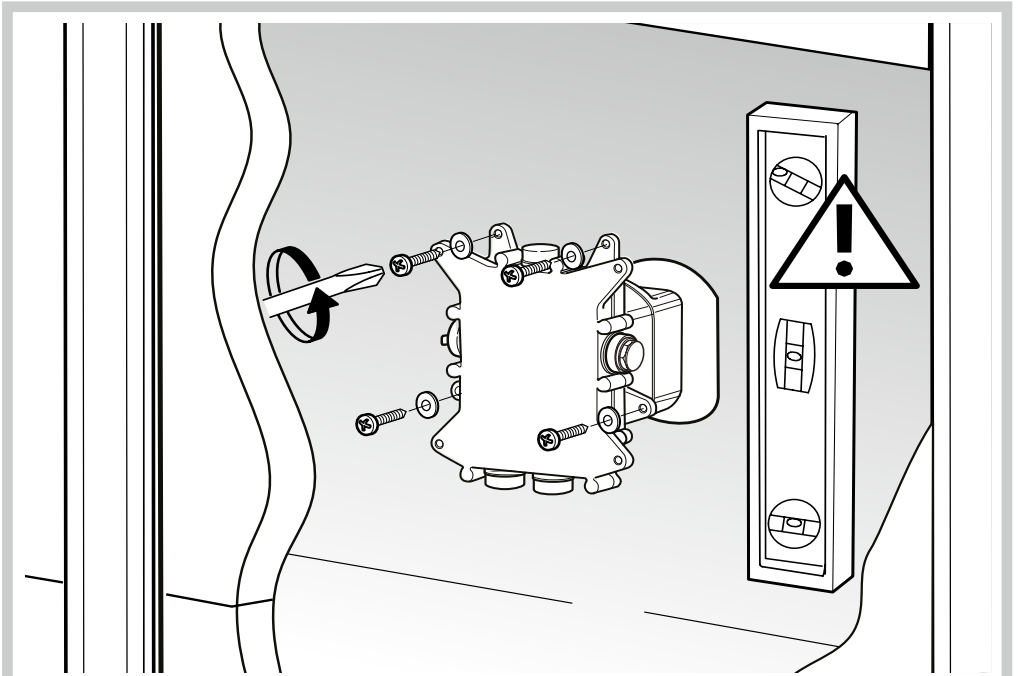


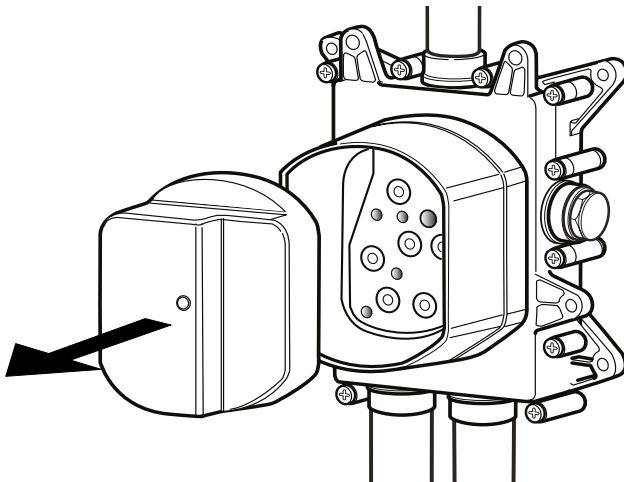
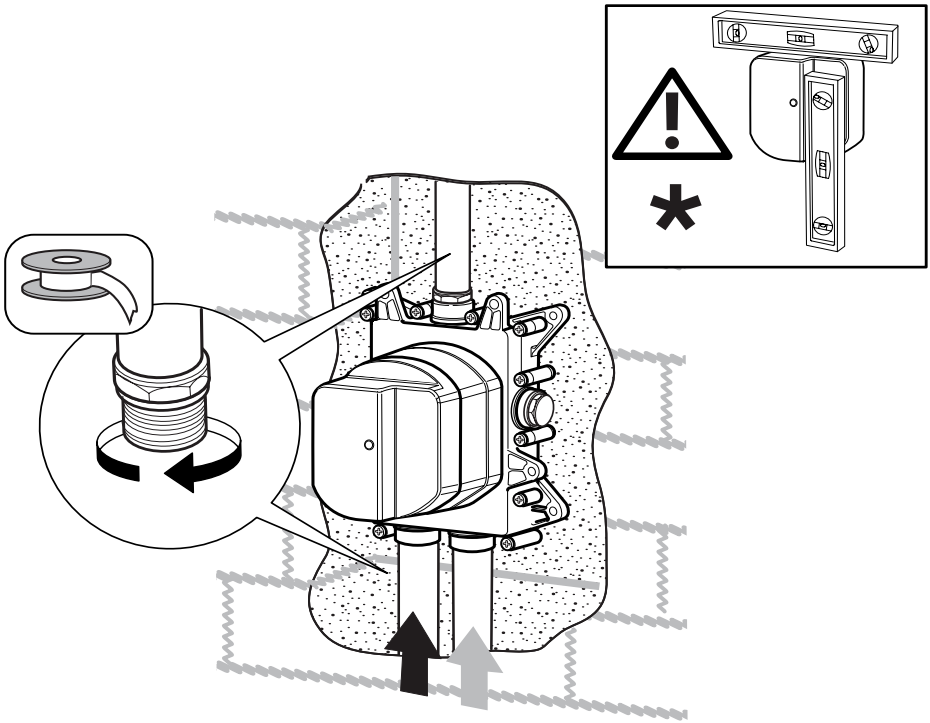
OK

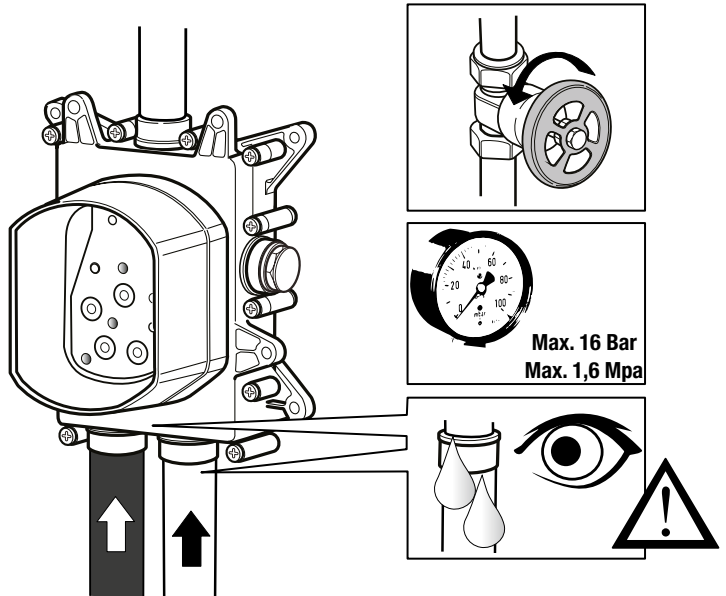
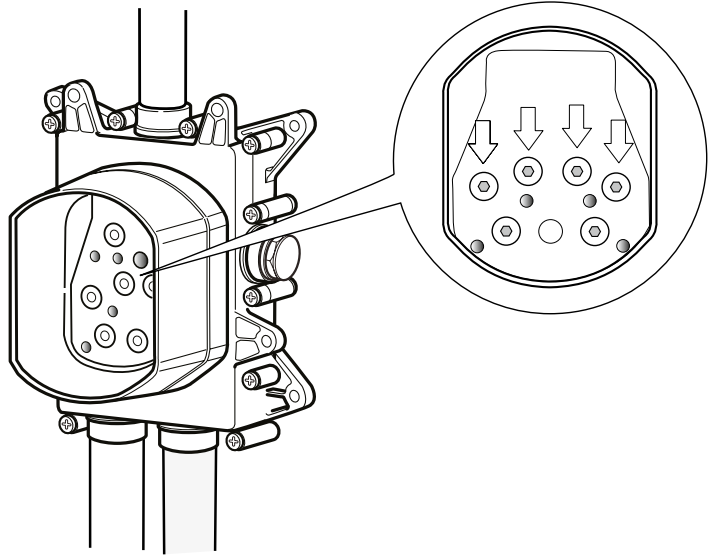


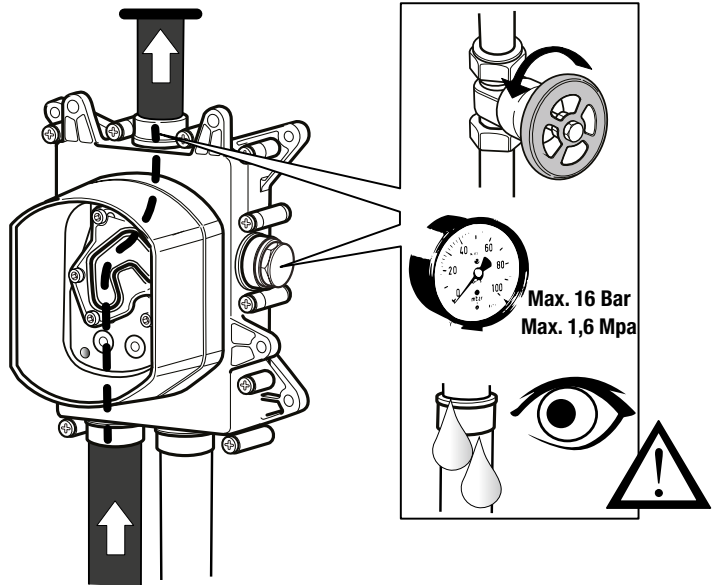
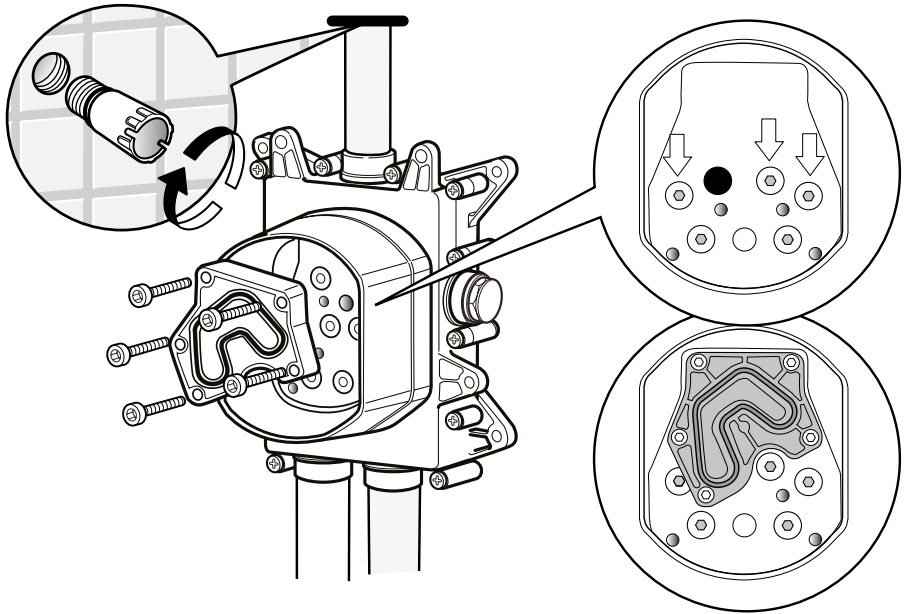
NO

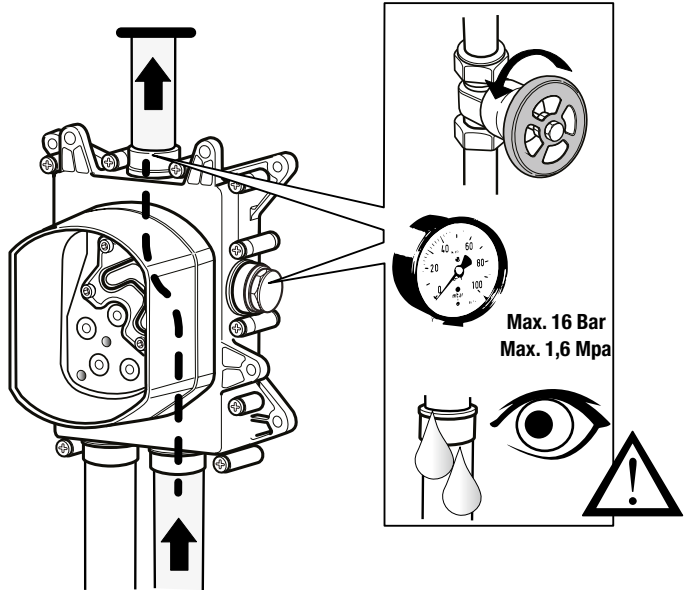
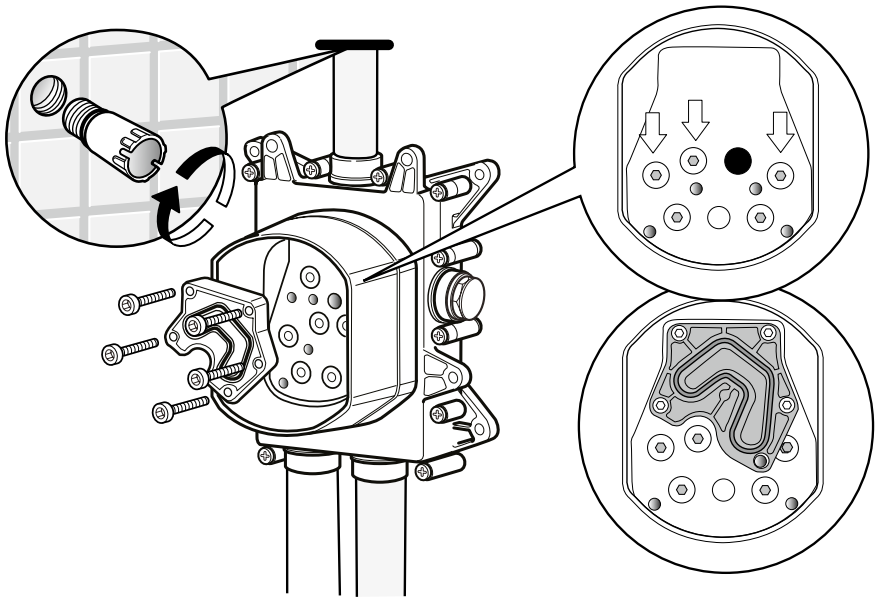


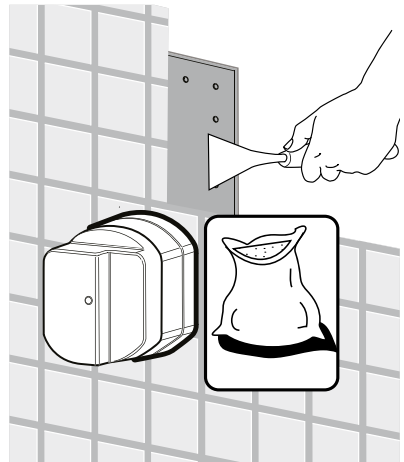
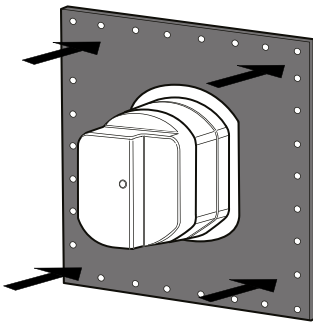
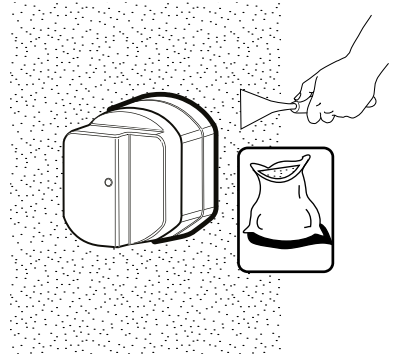
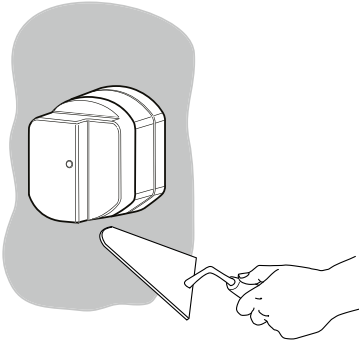






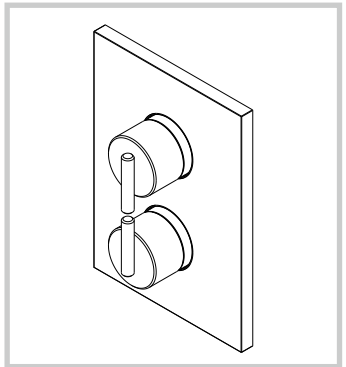
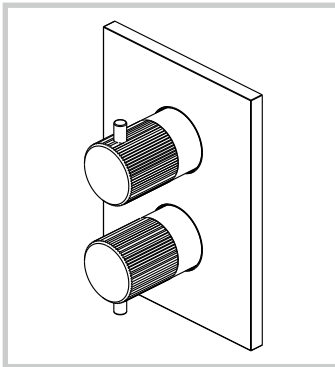
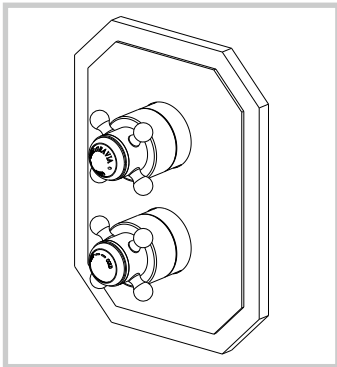
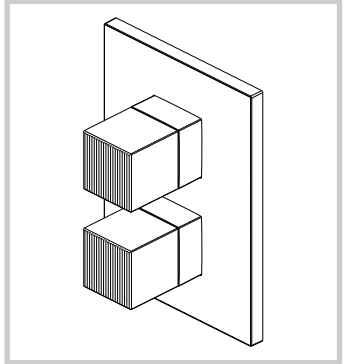
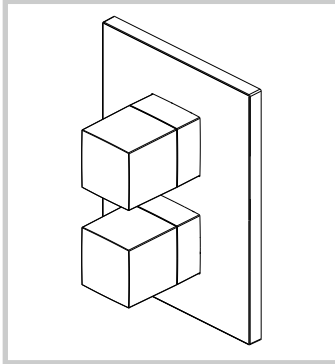
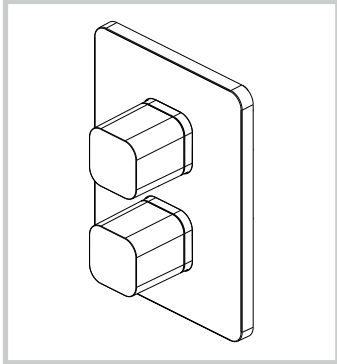
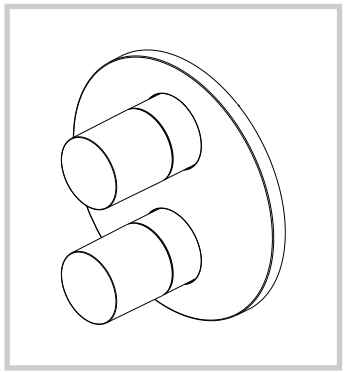
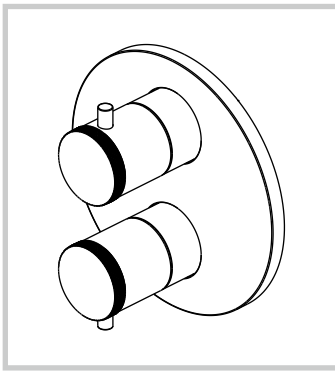
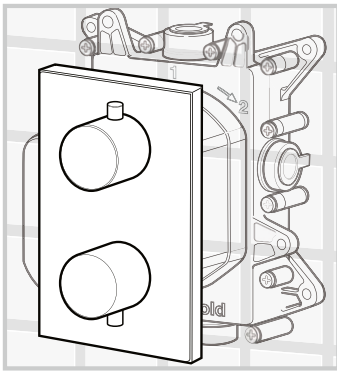












## COMPLETION CONCEALED BOX

## MOUNTING INSTRUCTIONS

Pressure range min/max 0,5/5 bar

(in case of water pressure higher than 5 bar we recommend installing pressure reducers).

Recommended pressure 3 bar.

Operation:

Either with gas or electric accumulation boilers.

Centralised systems.

**The product should only be installed by a suitably qualified plumber/installer.**

---

Safety lock at: 41° C

Min. Working temperature: 3° C

Min. recommended: 15° C

Max. Working temperature: 70° C

Max. recommended: 65° C

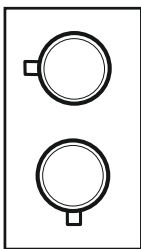
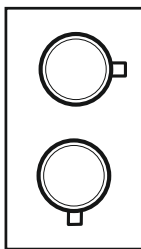
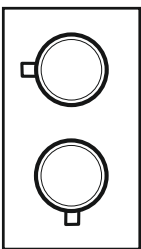
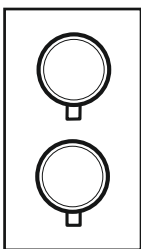
Recommended thermal differential 50° C

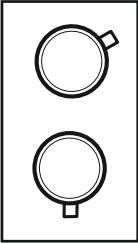
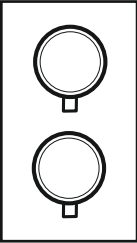
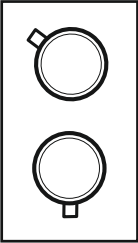
Thermal disinfection is allowed.

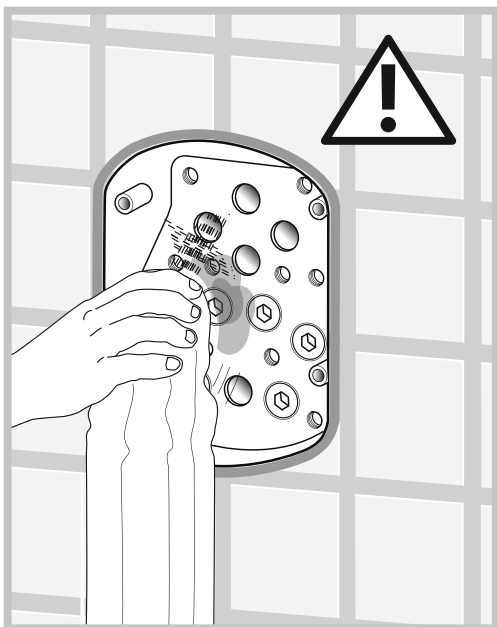
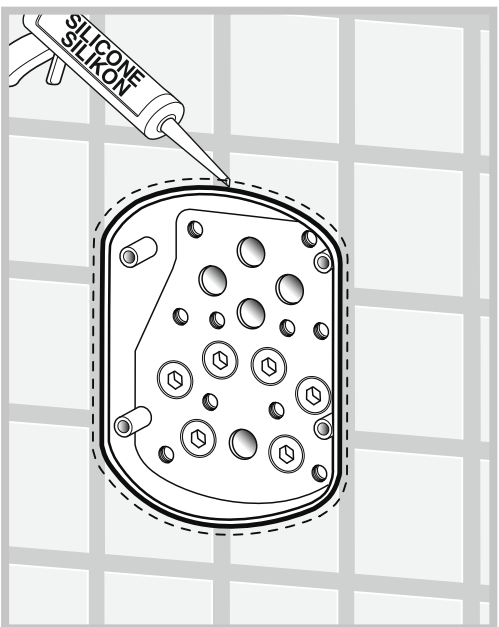
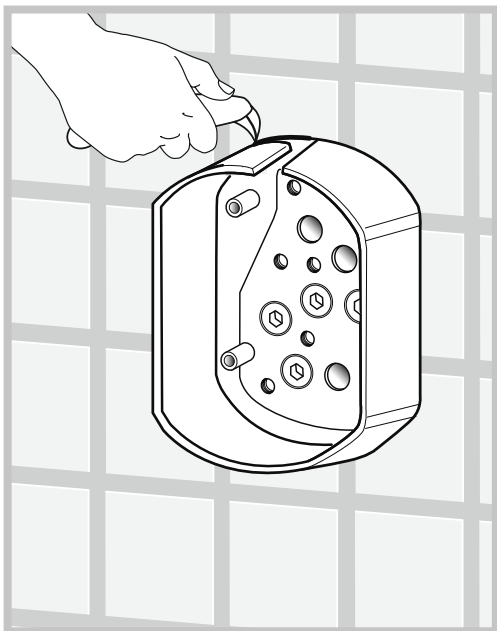
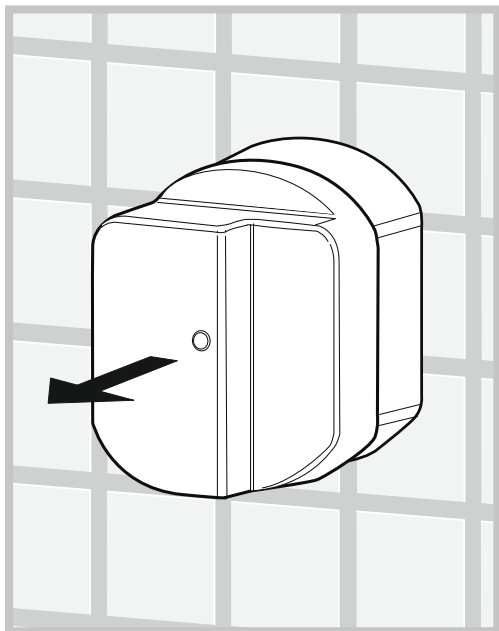
Safety system with flow stop in case of lack of one of the two waters.

---

***Warning: contact the plumber for the choice of the best water heating device.***

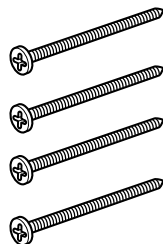
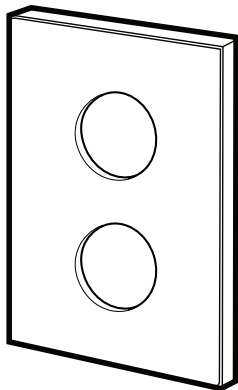
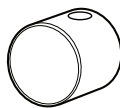
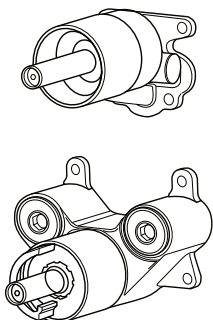
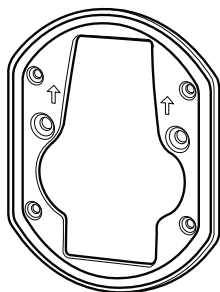
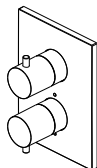
Press.	FLOW RATE ( L/min )			
	Term. 1 way	Term. 2 way		
				
bar	Exit 1/2/3	Exit 2	Exit 3	Mix
0,5	8,2	8,2	8,2	9,2
1	11,7	11,7	11,7	13,2
2	16,7	16,4	16,4	18,7
3	20,7	20	20	22,9
4	24	23	23	26,4
5	26,6	25,8	25,8	29,5

Press.	FLOW RATE ( L/min )		
	Term. 3 ways		
			
bar	Exit 1	Exit 2	Exit 3
0,5	9,4	8,1	8,1
1	13,4	11,6	11,6
2	19,2	16,6	16,6
3	23,7	20,5	20,5
4	27,4	23,8	23,8
5	30,5	26,6	26,6



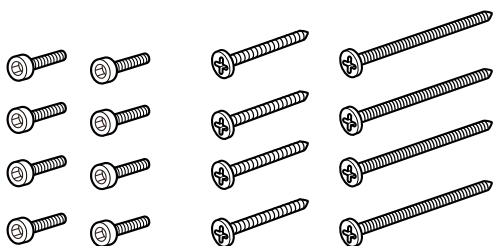
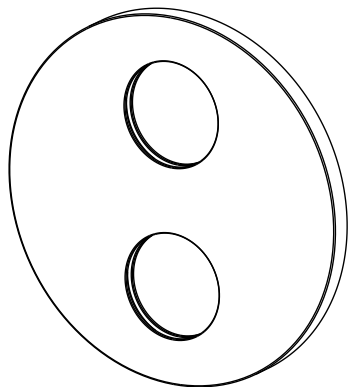
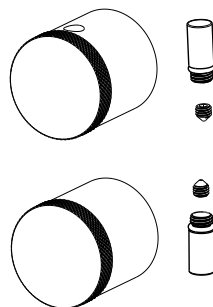
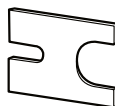
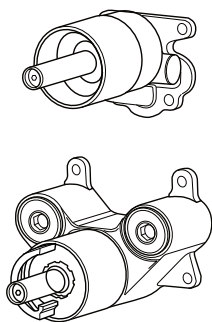
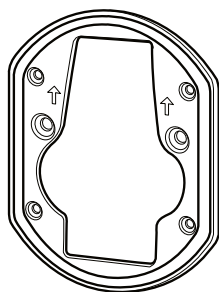
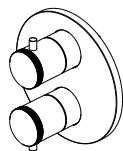
5

# PACKAGE CONTENT - THERMOSTATIC 1-2-3 WAYS



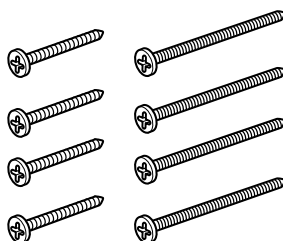
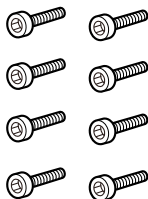
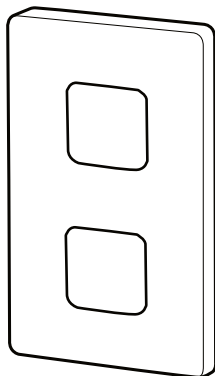
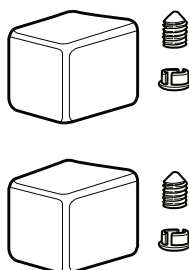
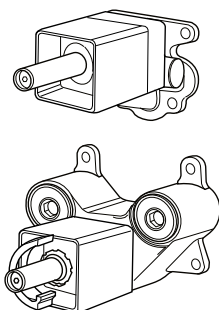
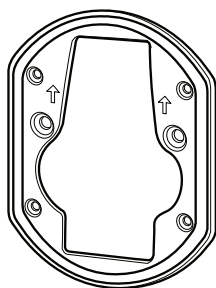
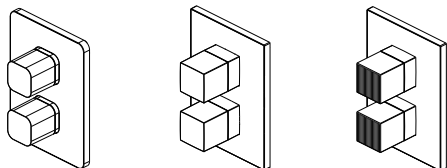
**GB Mounting Instructions**



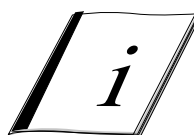


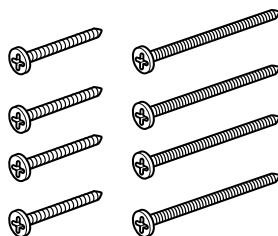
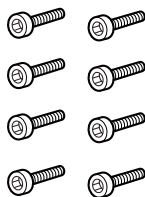
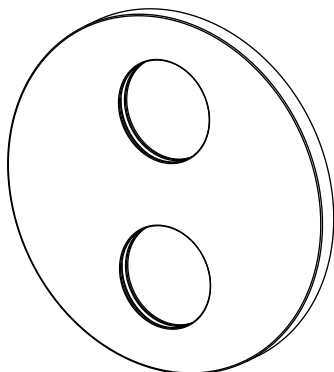
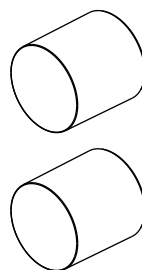
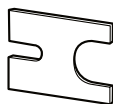
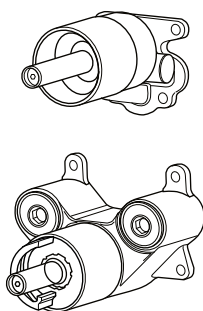
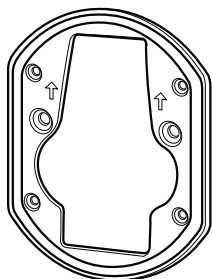
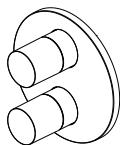
GB Mounting Instructions





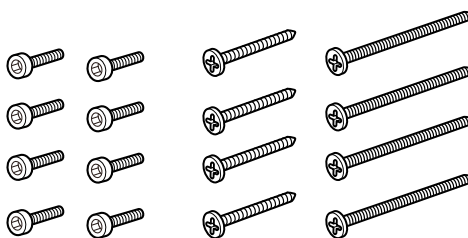
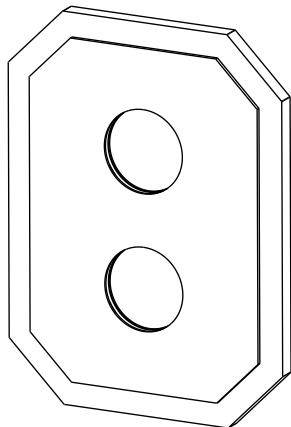
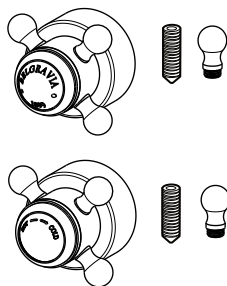
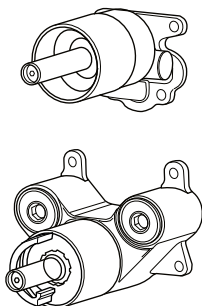
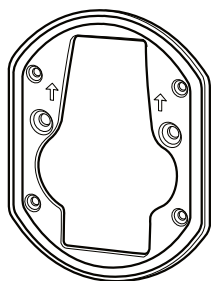
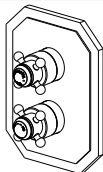
GB Mounting Instructions





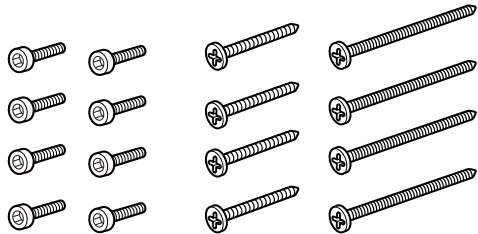
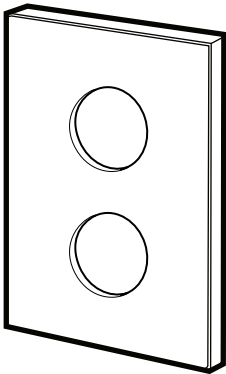
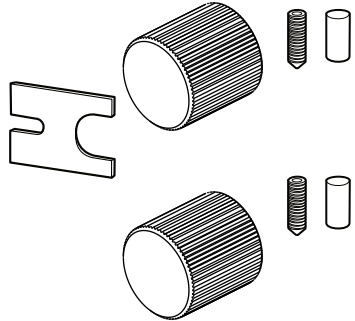
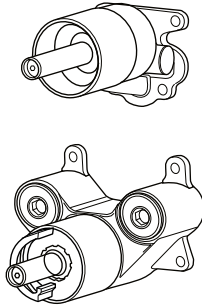
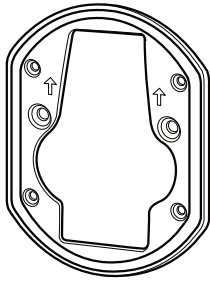
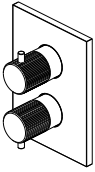
**GB Mounting Instructions**





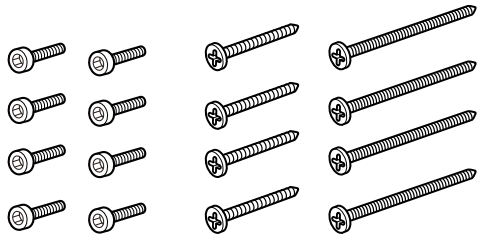
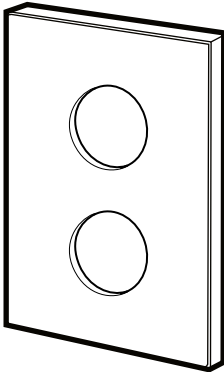
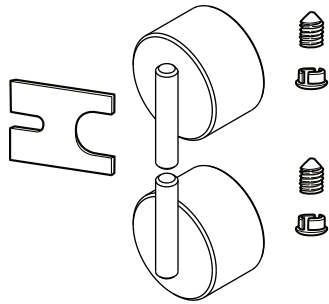
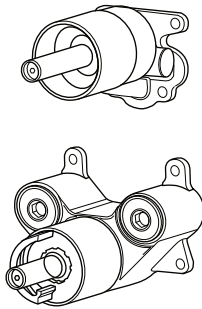
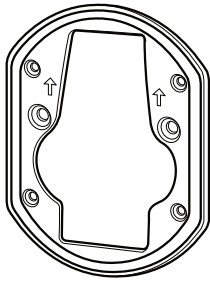
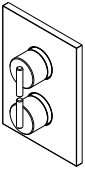
**GB Mounting Instructions**





**GB Mounting Instructions**



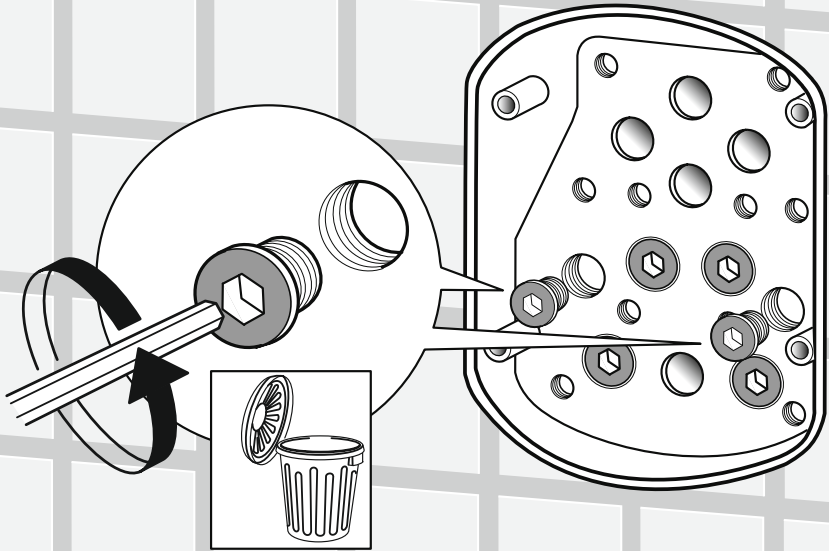


GB Mounting Instructions

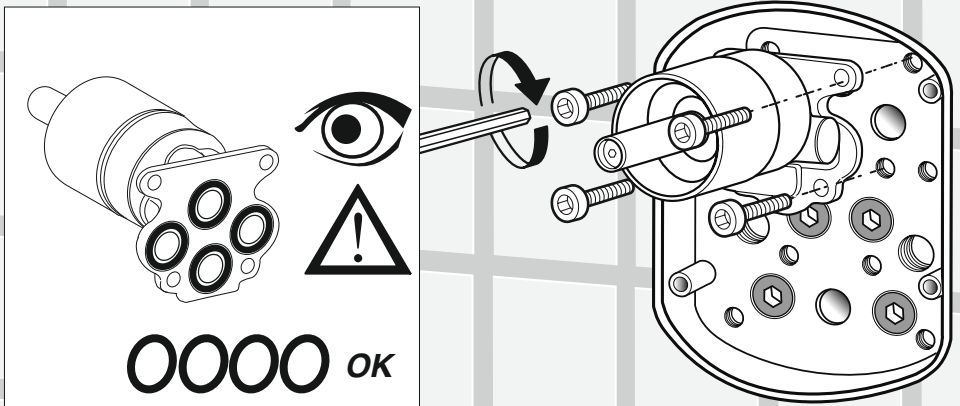


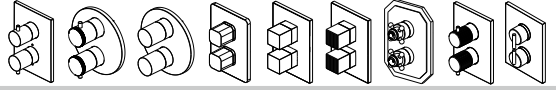


1

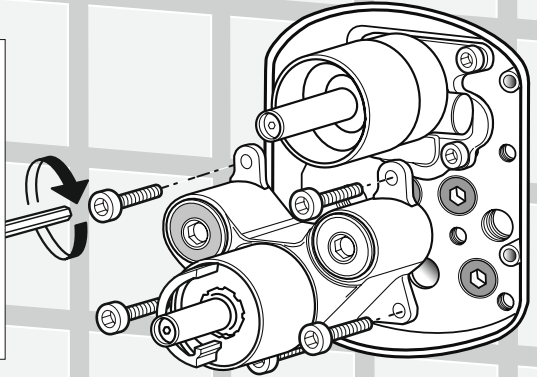
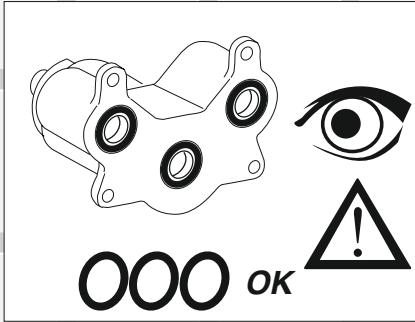


2

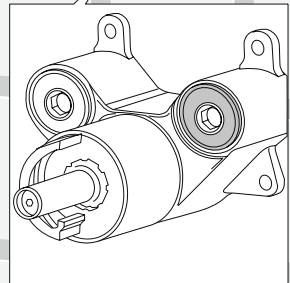
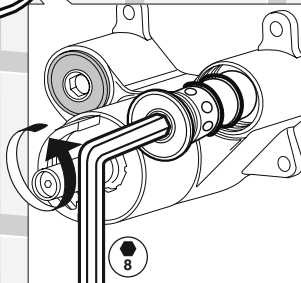
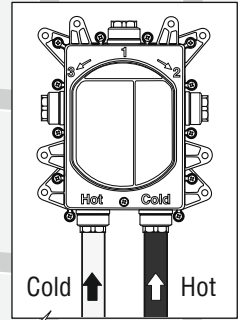
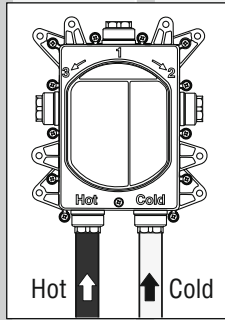
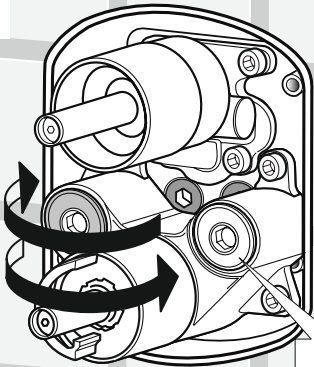




3

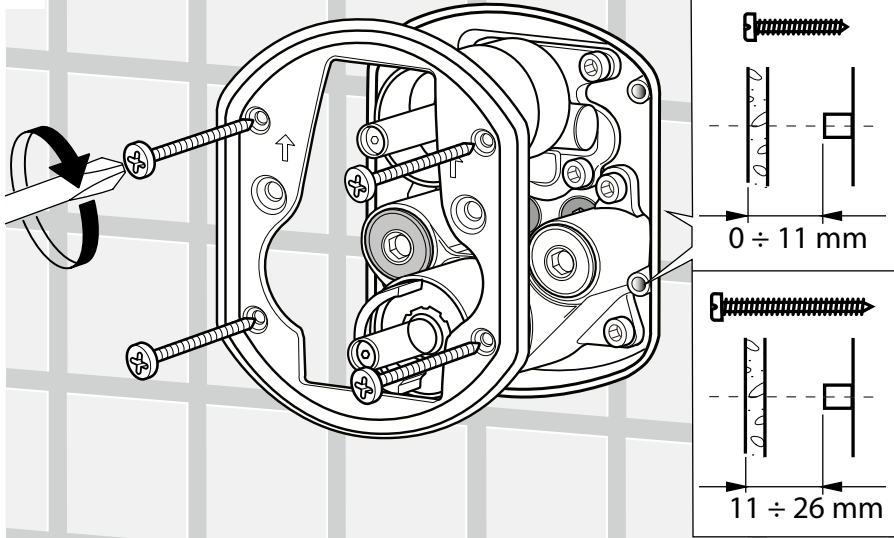


4

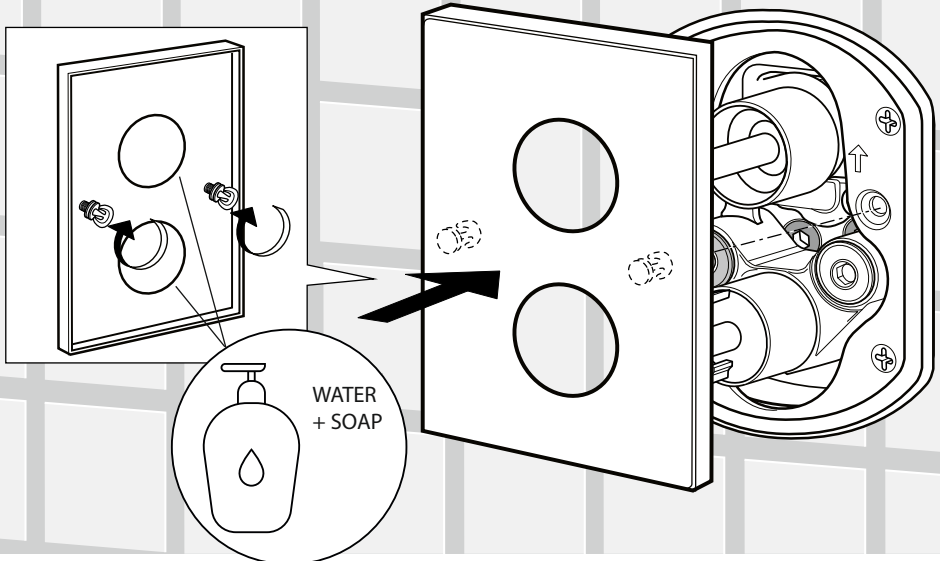




5

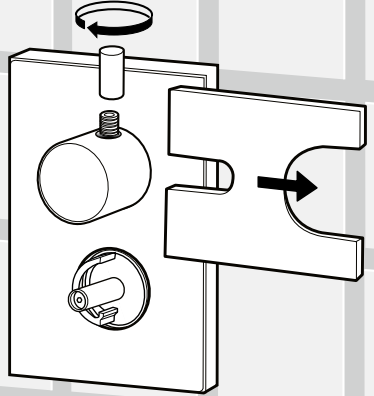
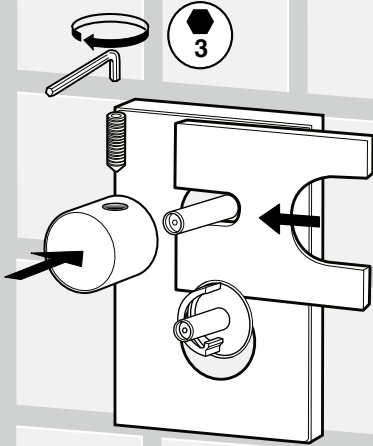


6A

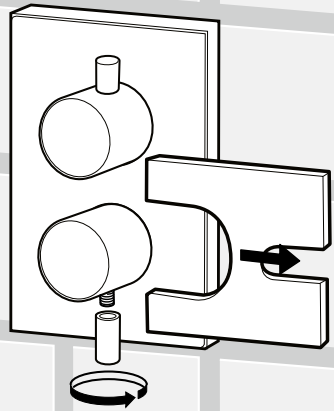
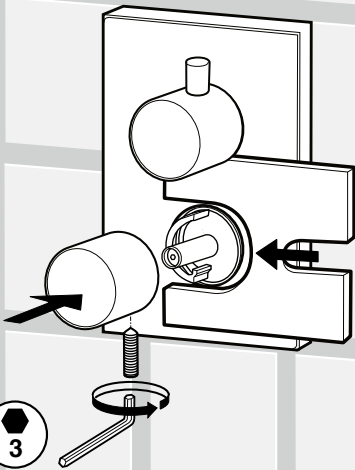




7A

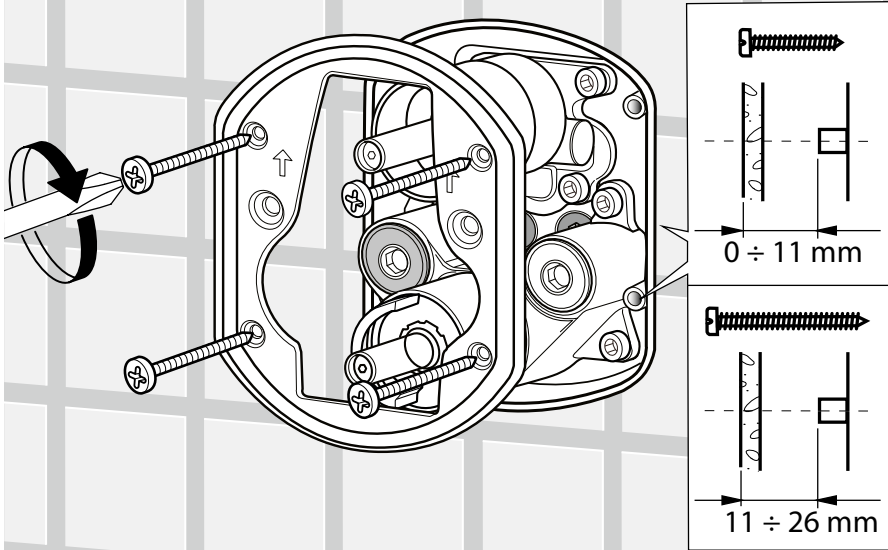


8A

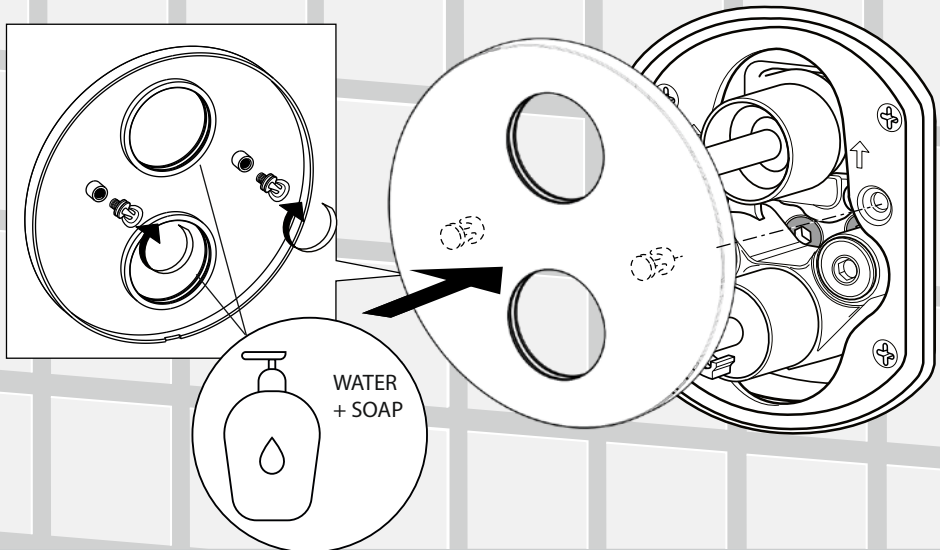




5

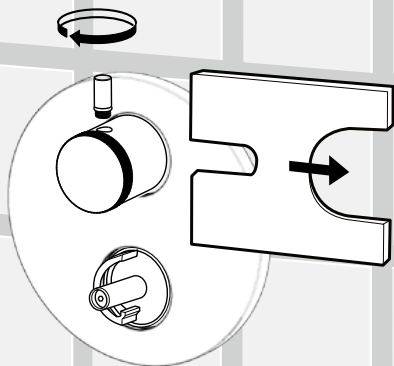
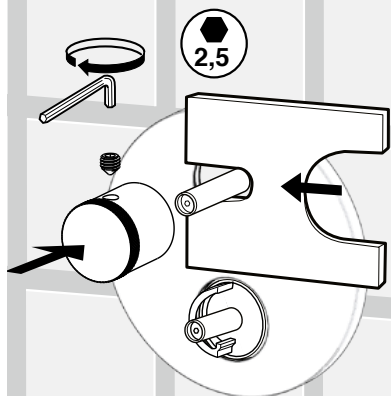


6B

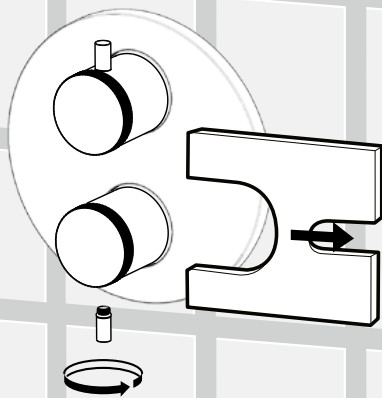
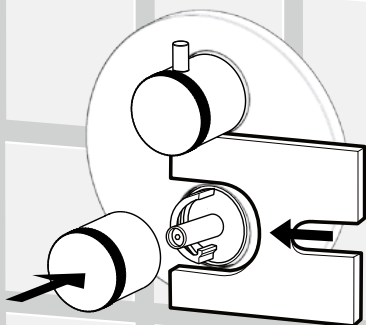




7B



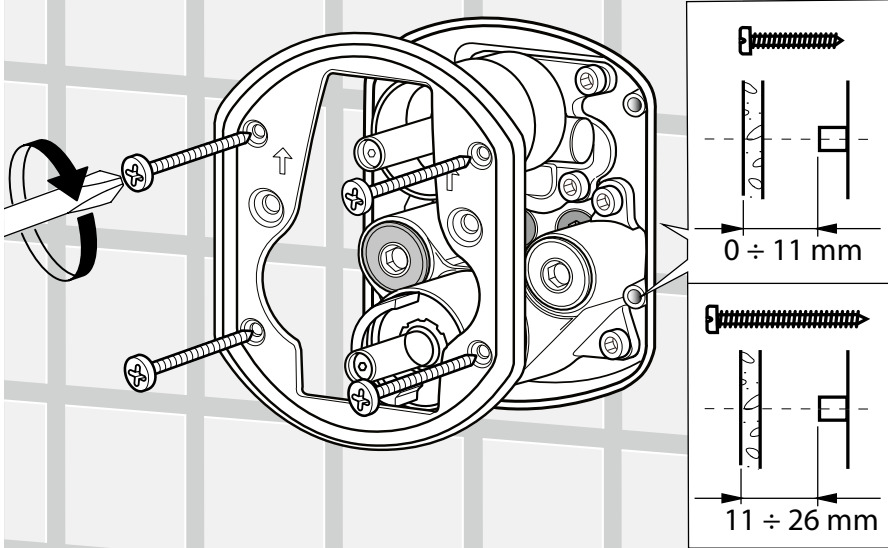
8B



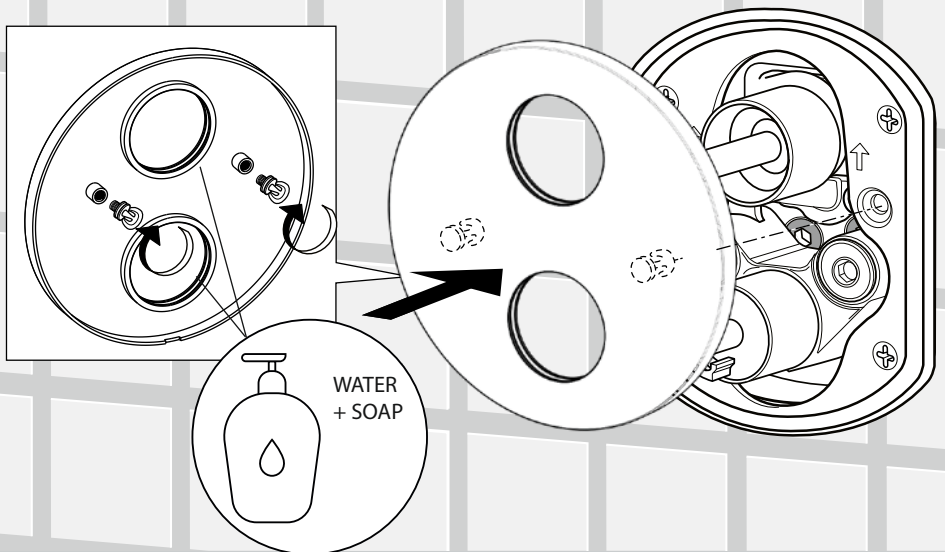
2,5



5

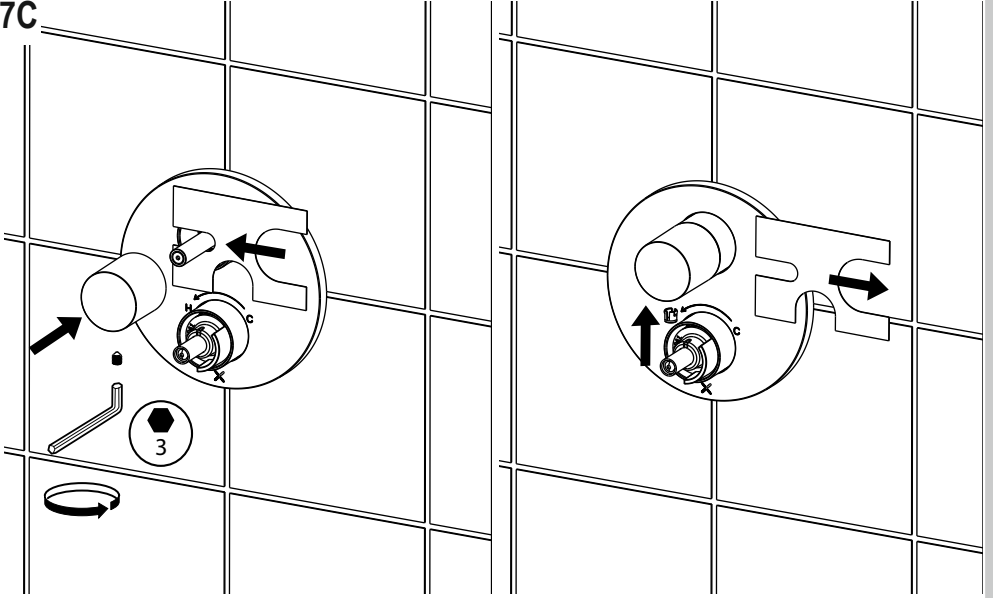


6C

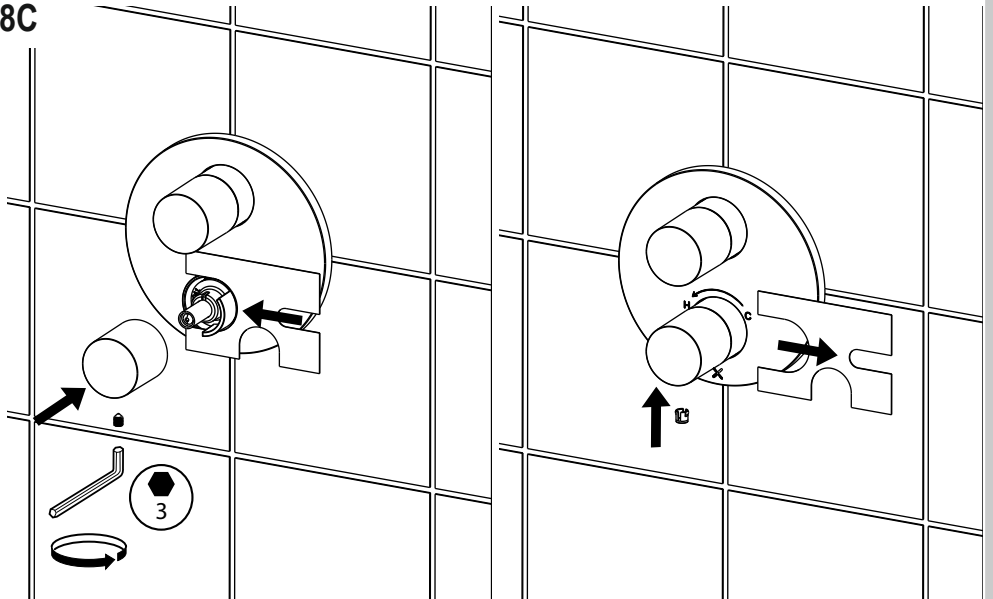




7C

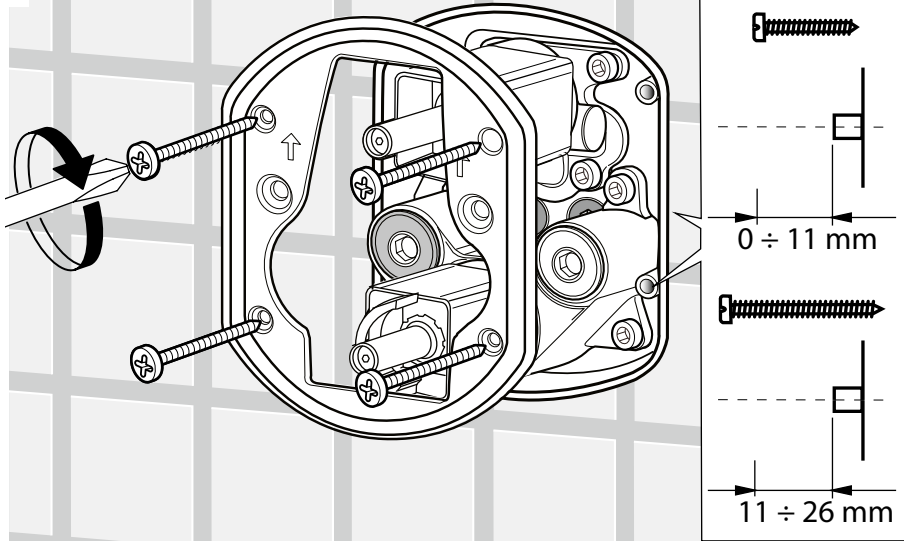


8C

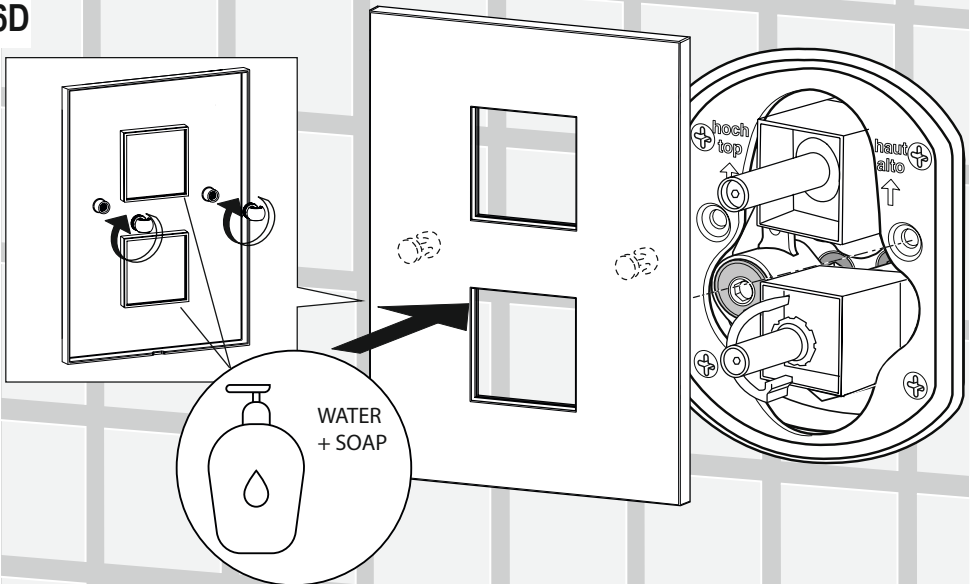




5

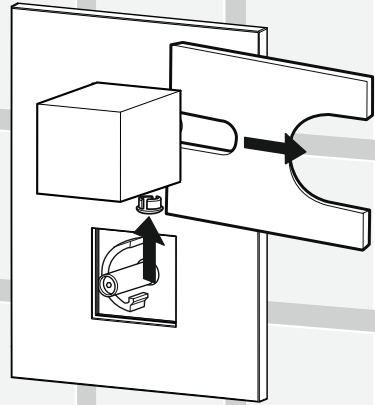
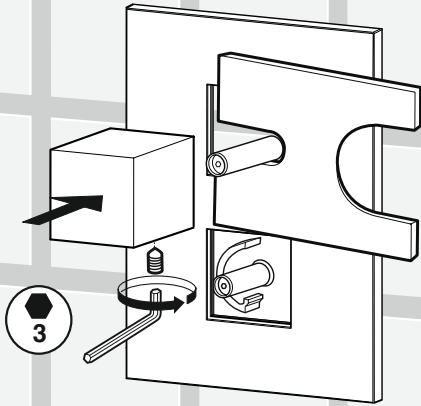


6D

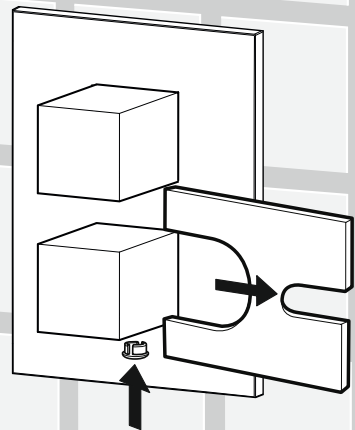
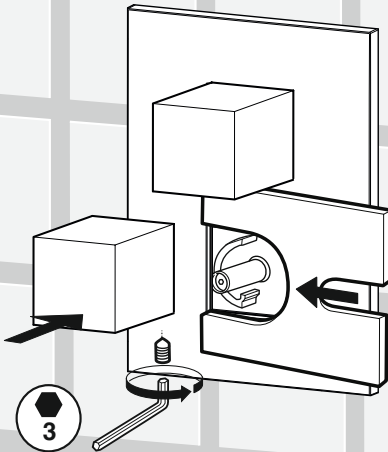




7D

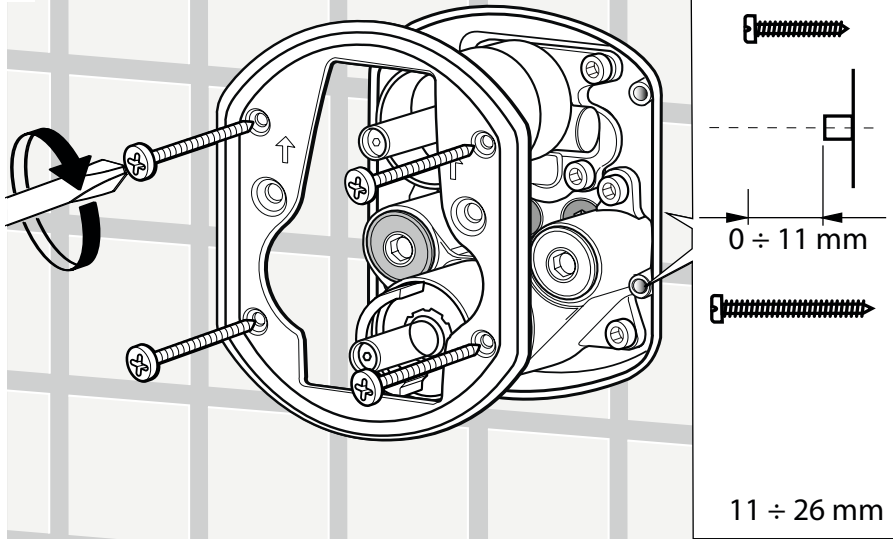


8D

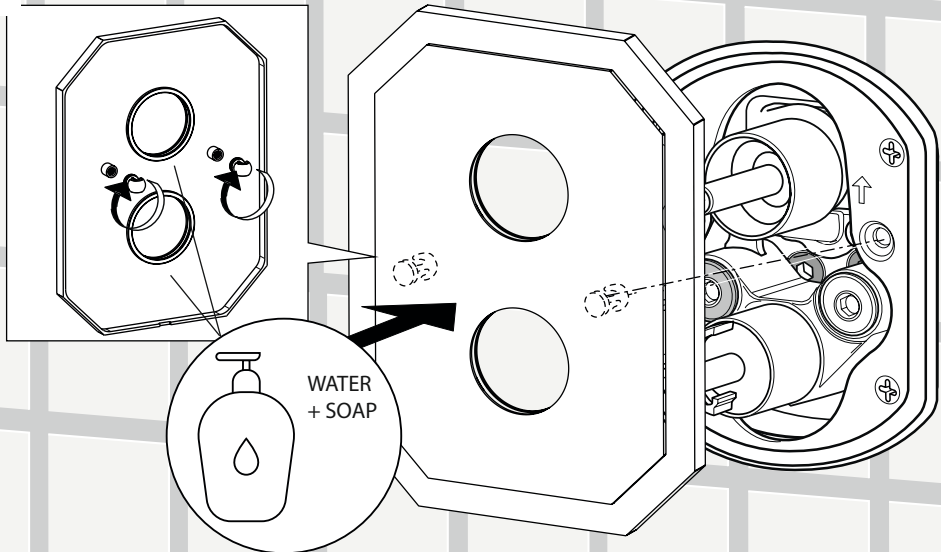




5

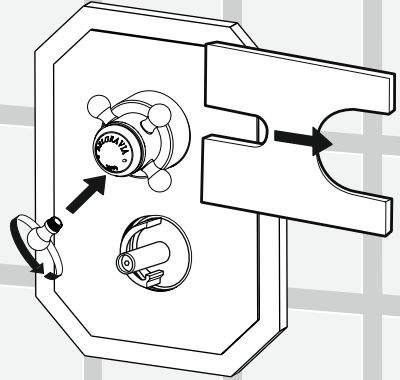
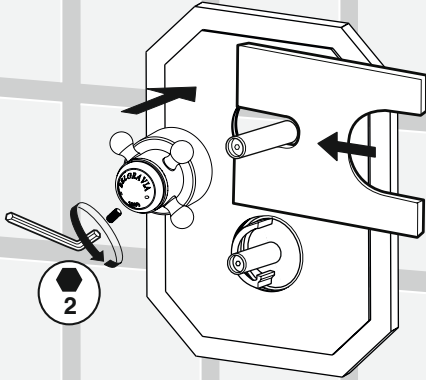


6E

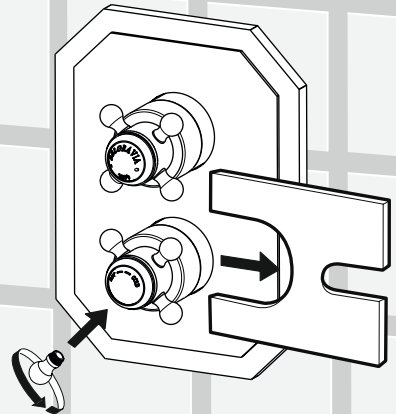
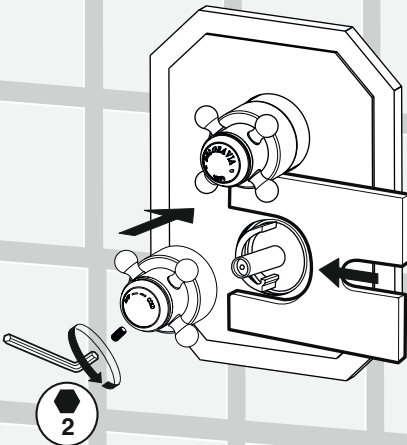




7E

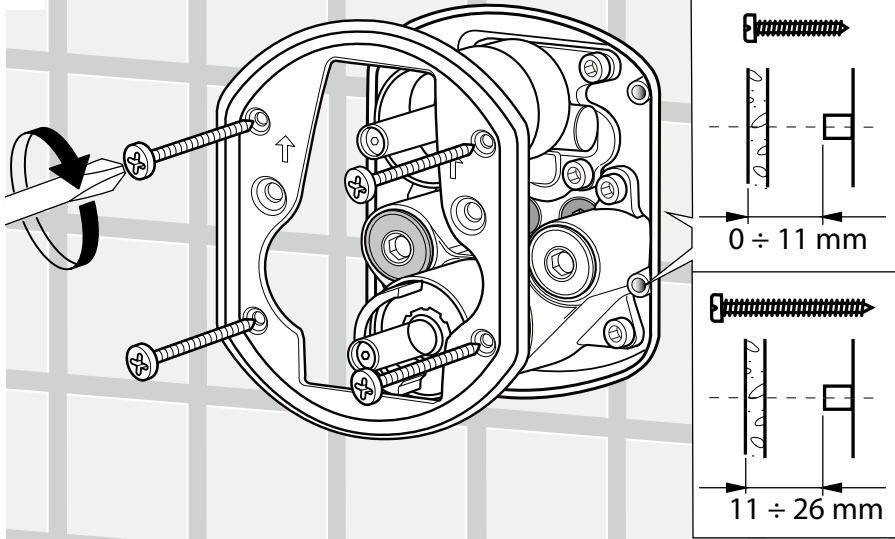


8E

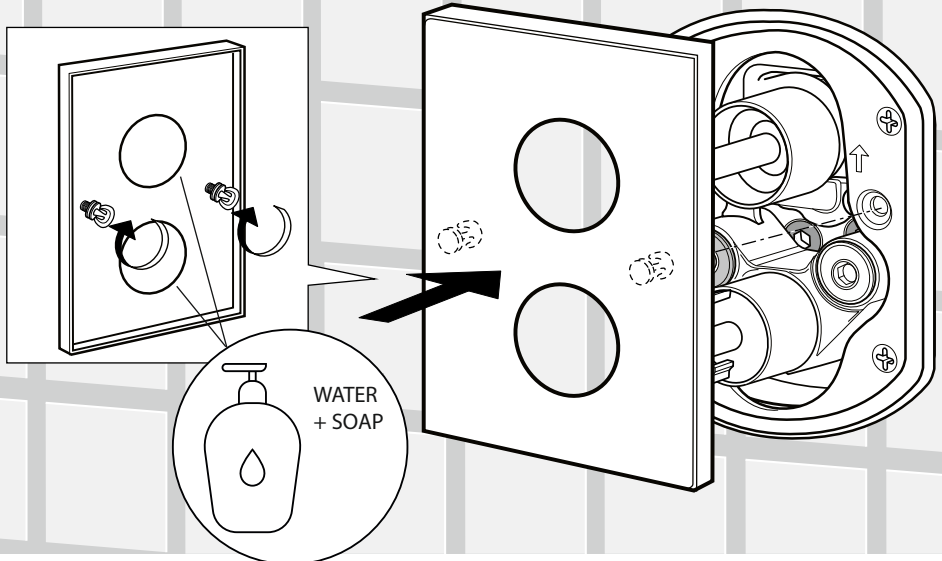




5

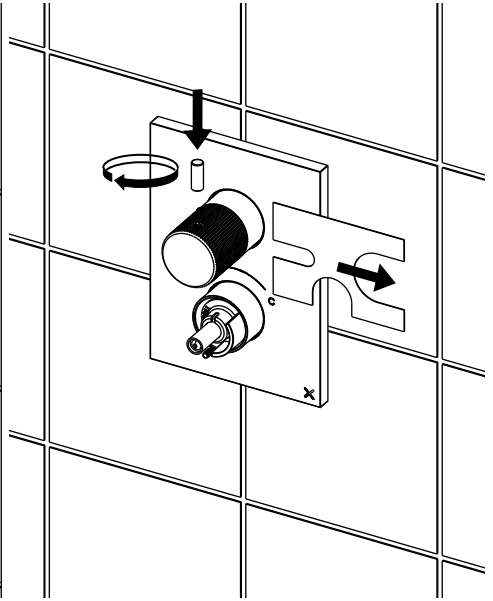
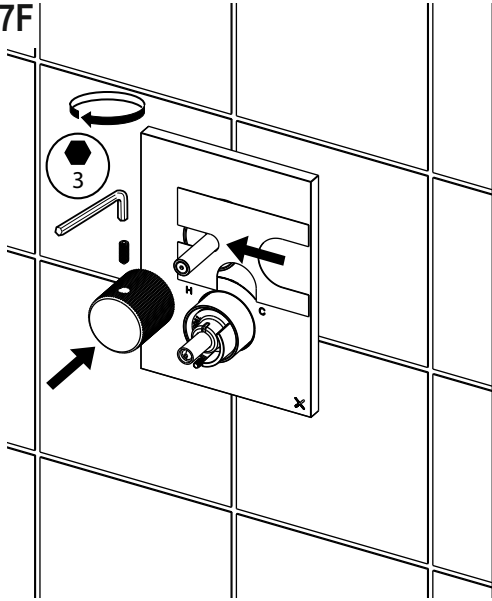


6F

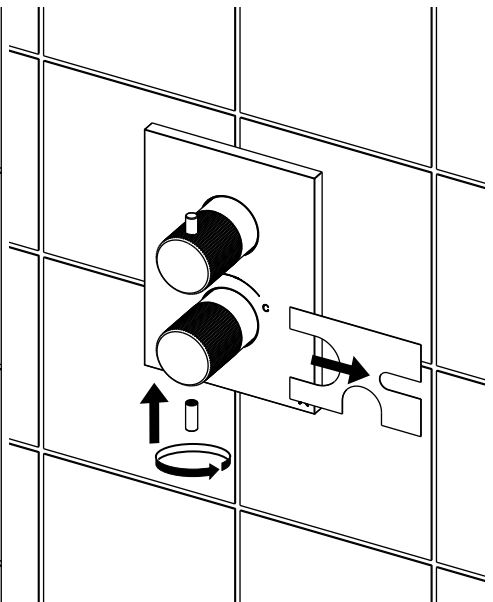
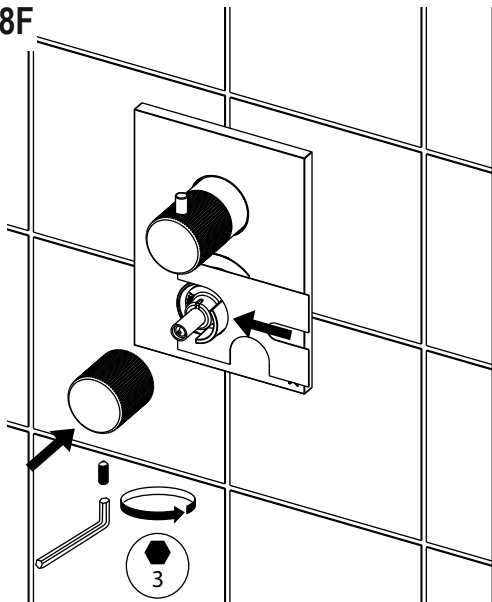




7F

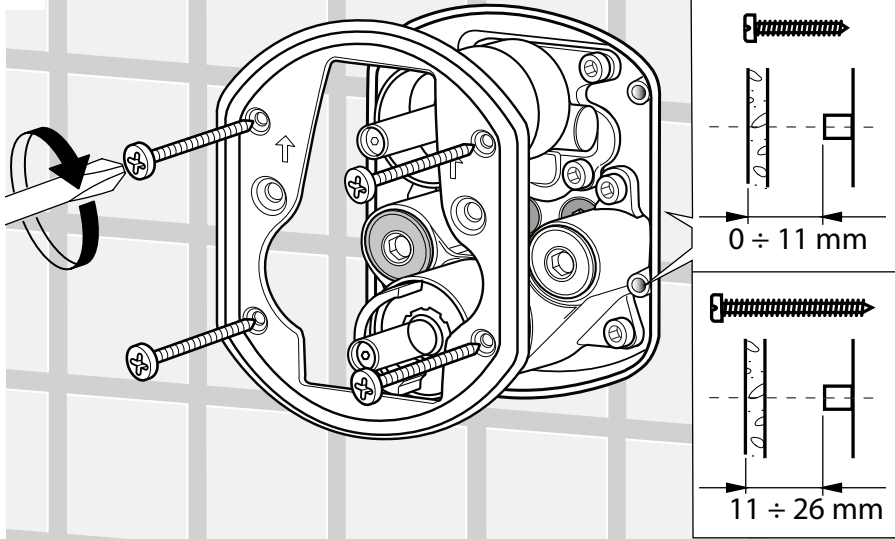


8F

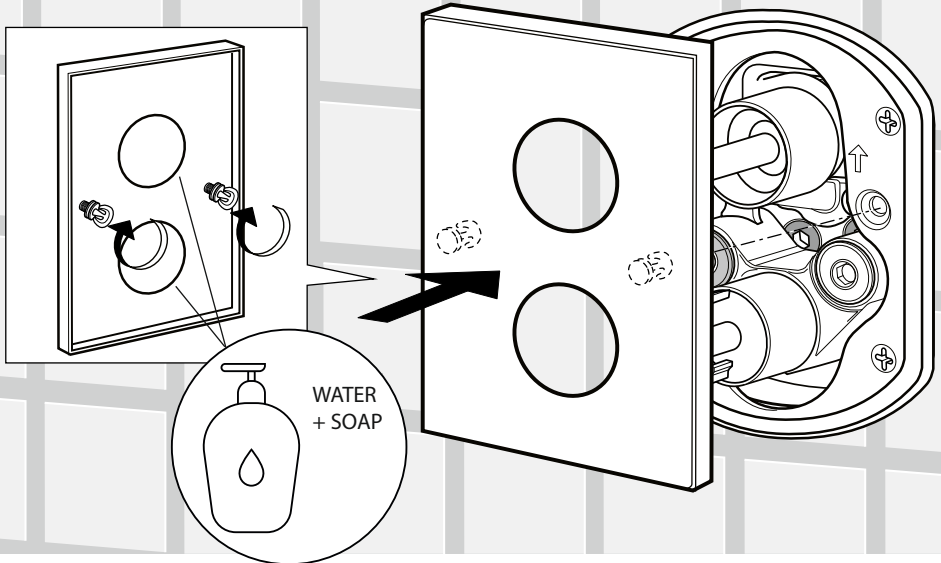




5

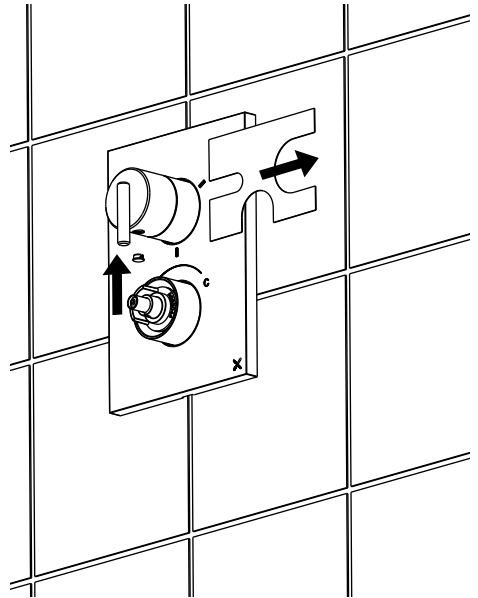
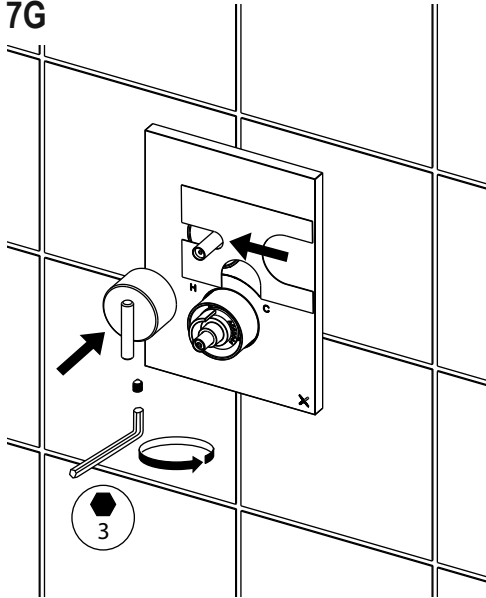


6G

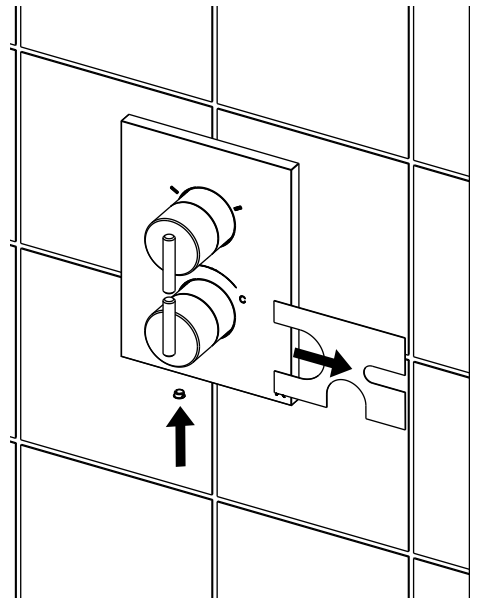
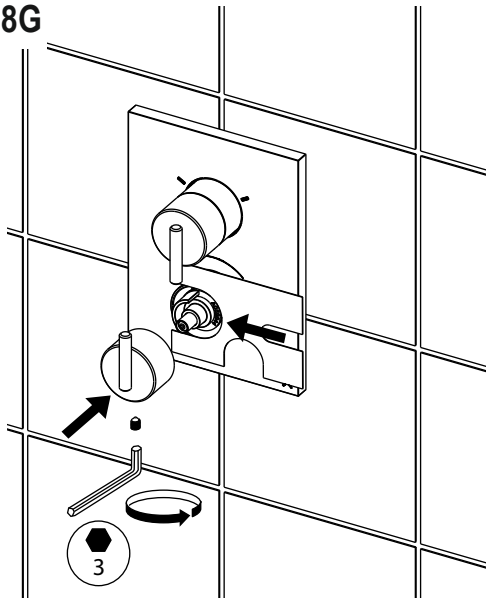




7G

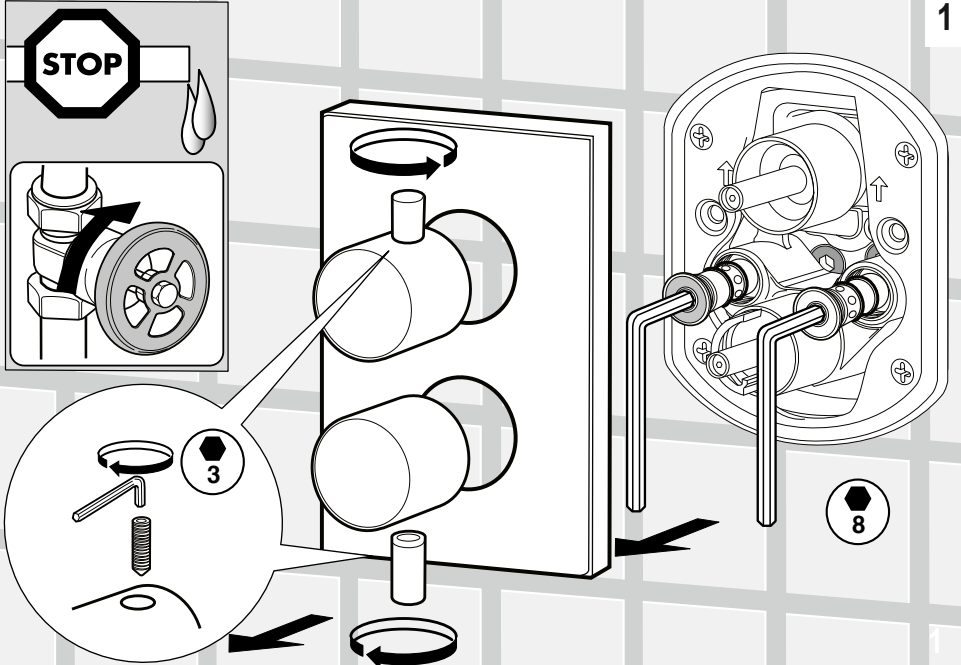


8G

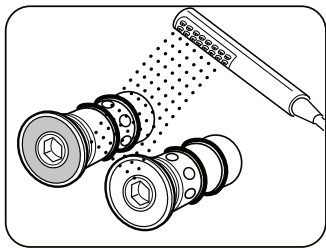
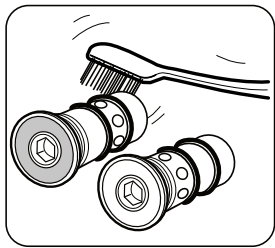
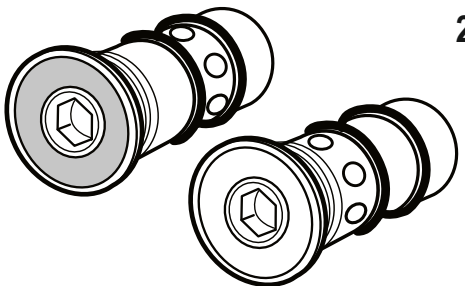
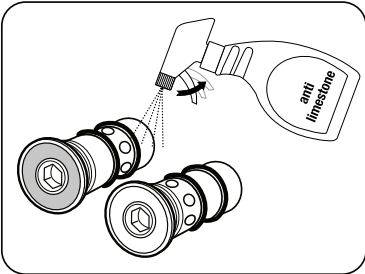


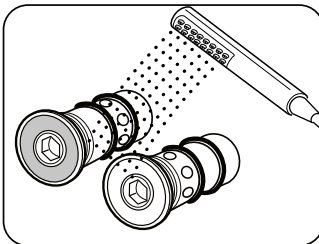
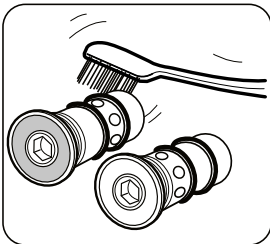
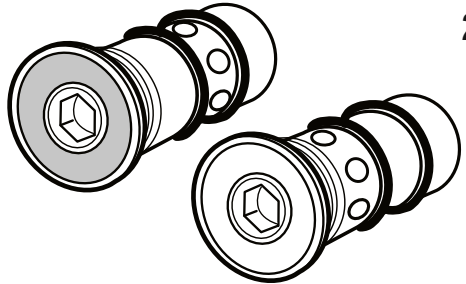
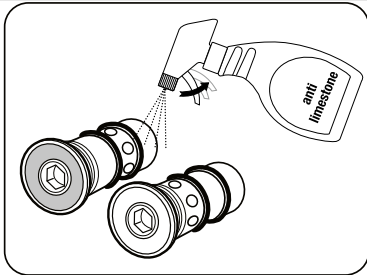
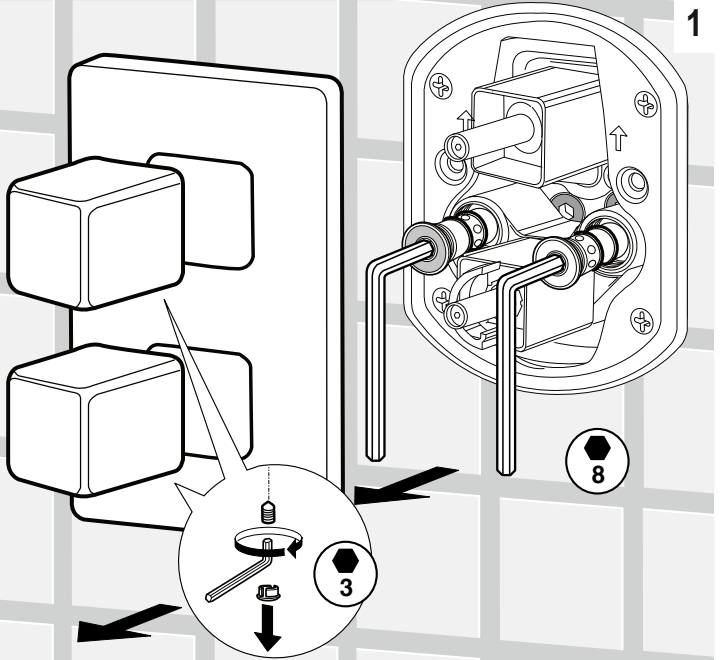
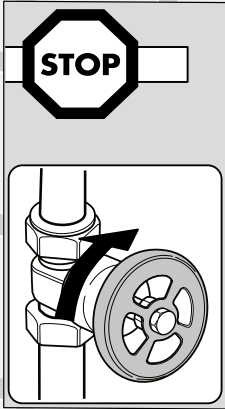
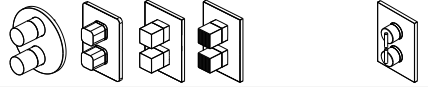


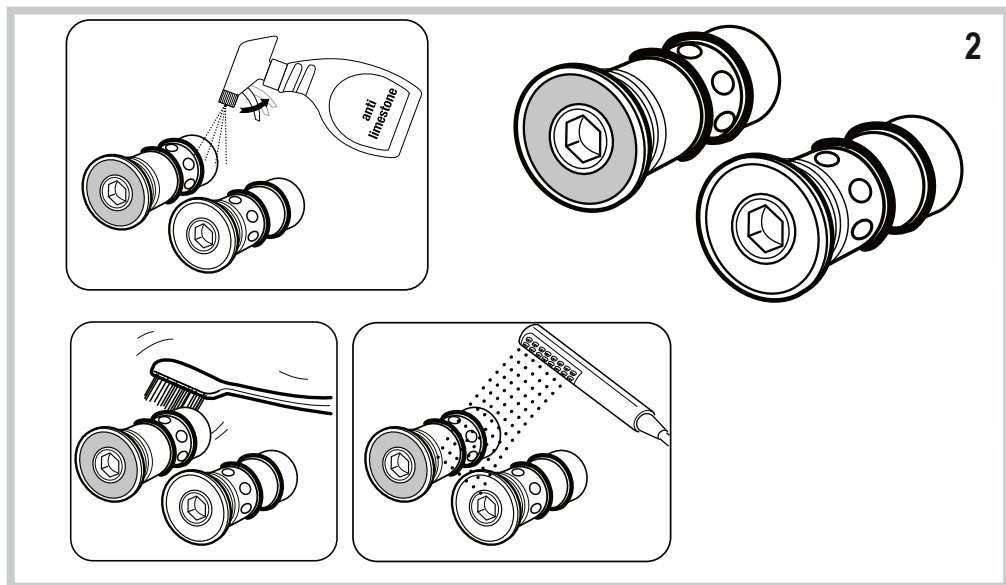
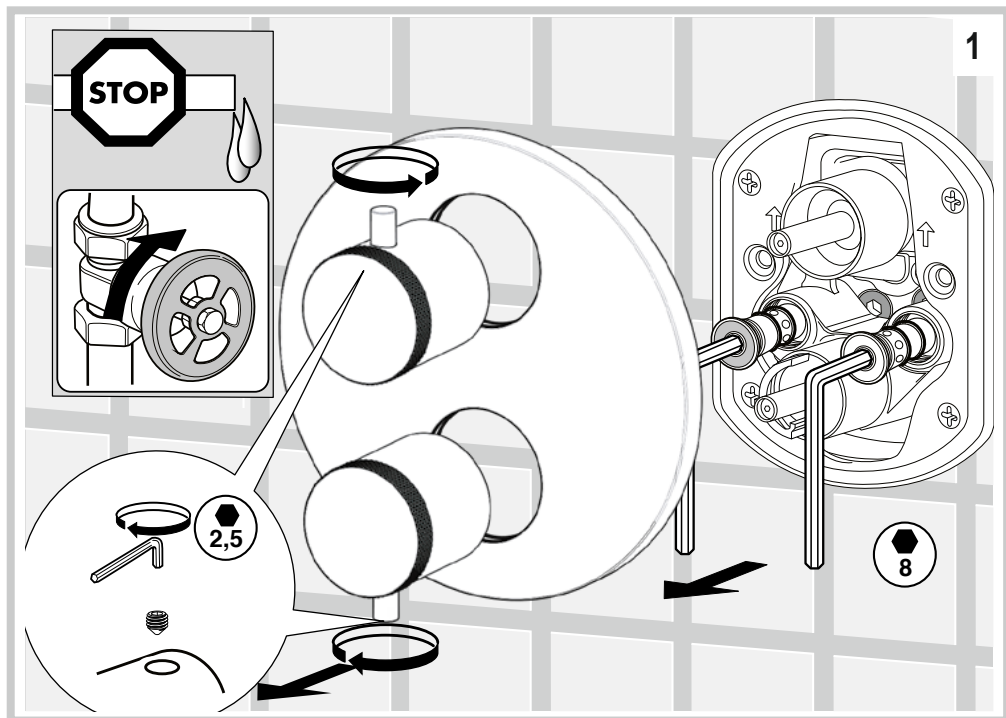
1

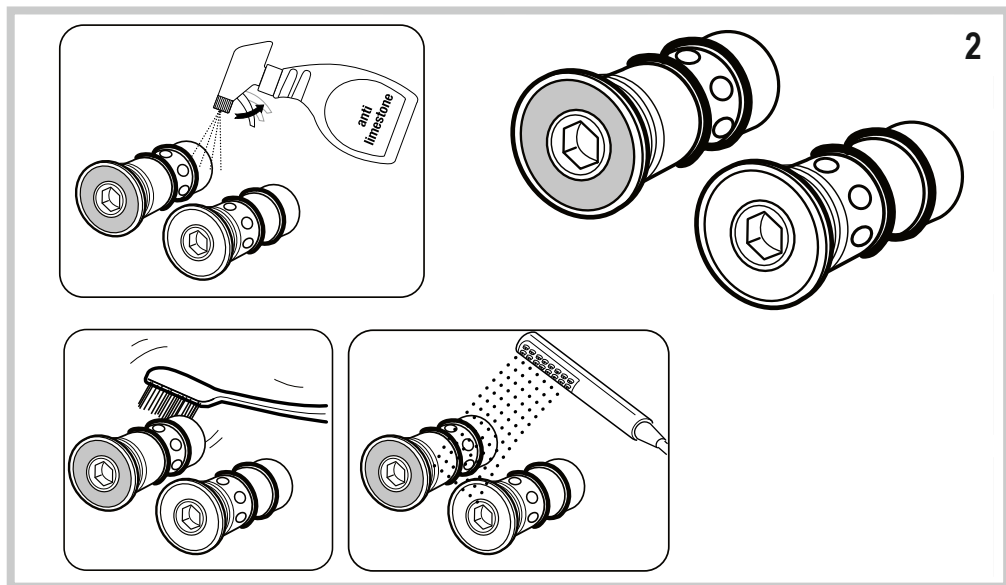
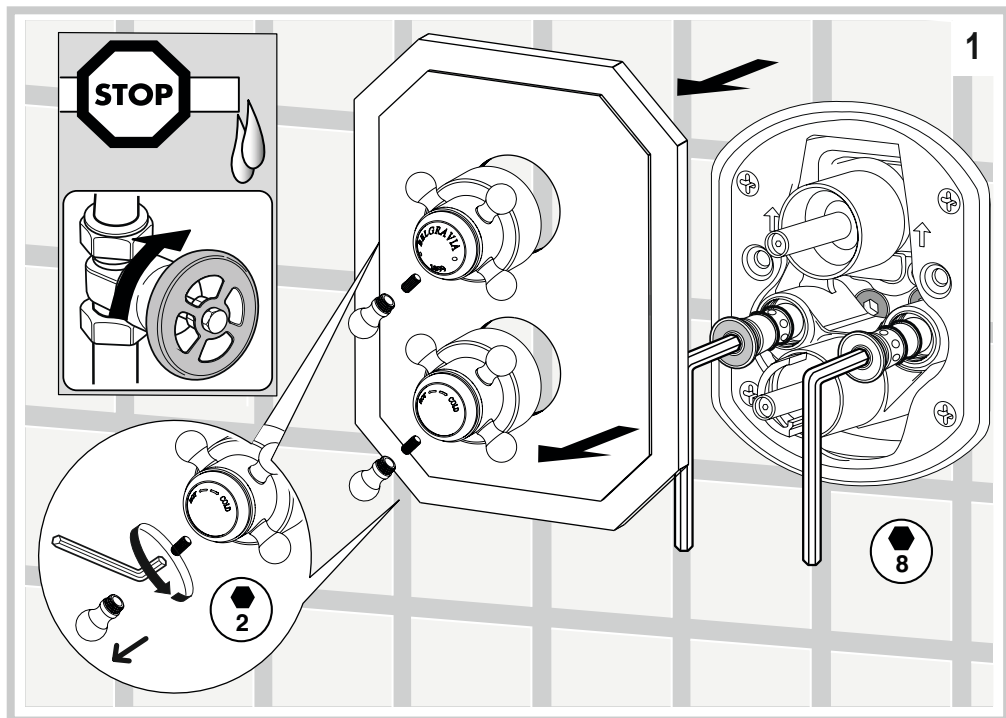


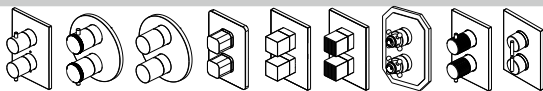
2



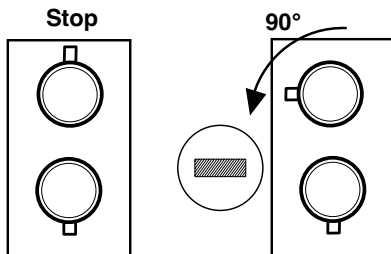




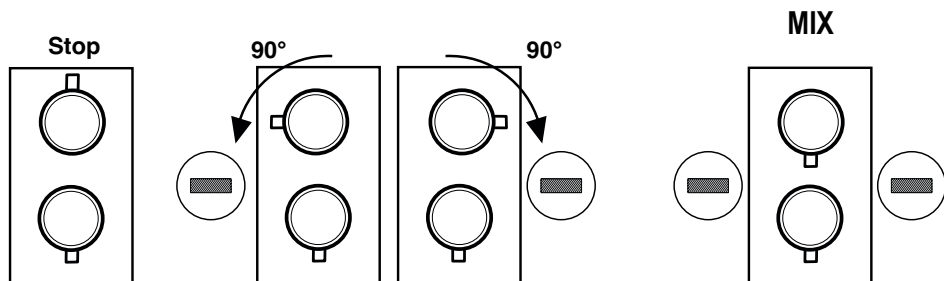




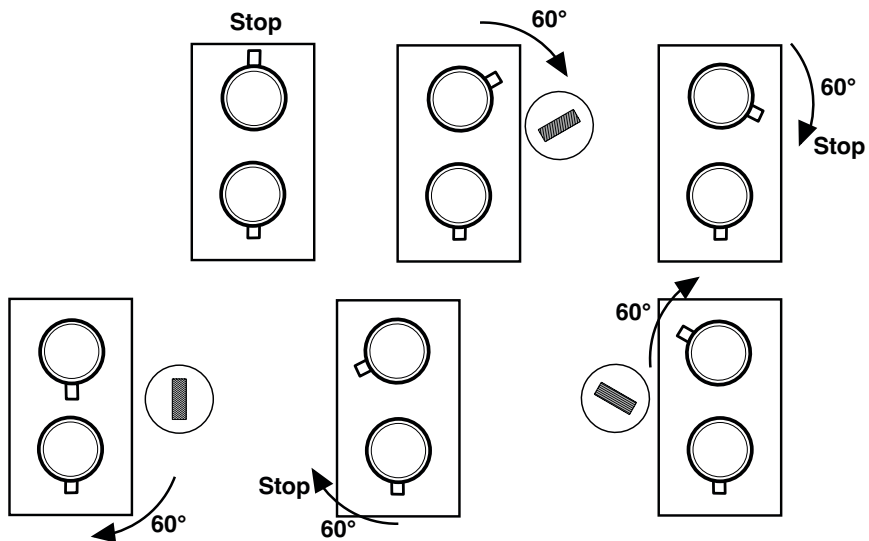
**THERMOSTATIC 1 WAY**



**THERMOSTATIC 2 WAYS**



**THERMOSTATIC 3 WAYS**



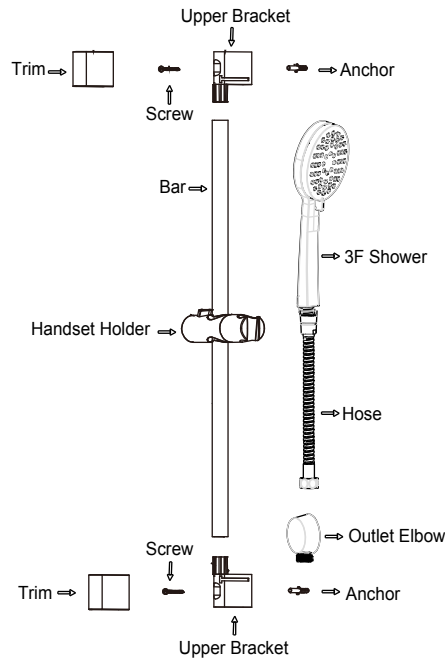








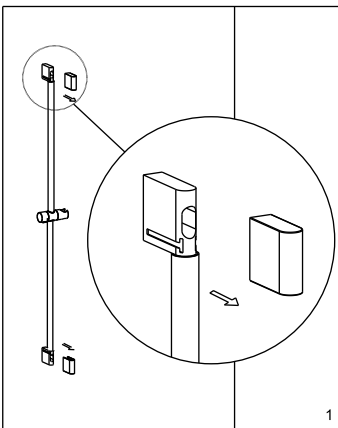
## Dimension



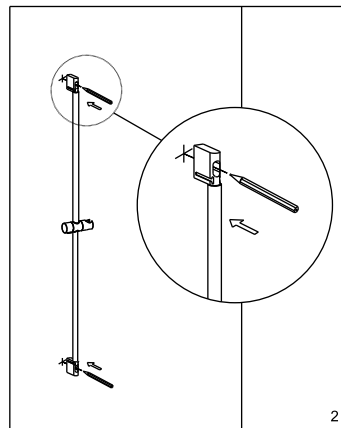
## Tools Required (Not Supplied)

Drill, 6mm Masonry drill bit, Cross-head screwdriver, Spirit level, Pencil, Wrench.

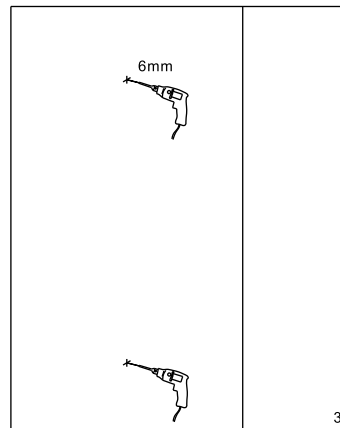
## Installation



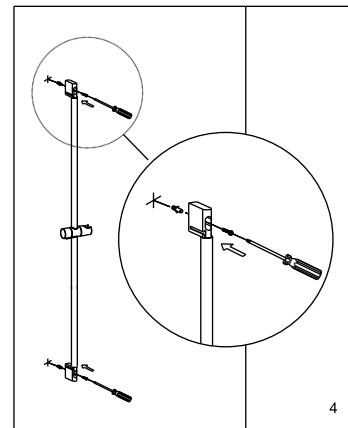
1. Loosen two trims but do not remove them. Place the bar to the wall vertically.



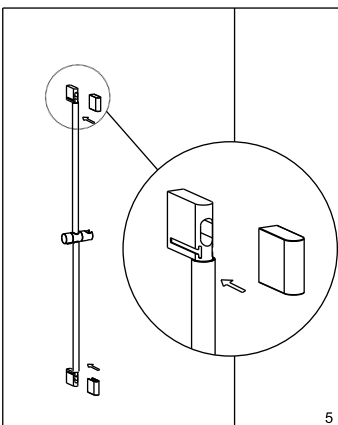
2. Mark two fitting holes.



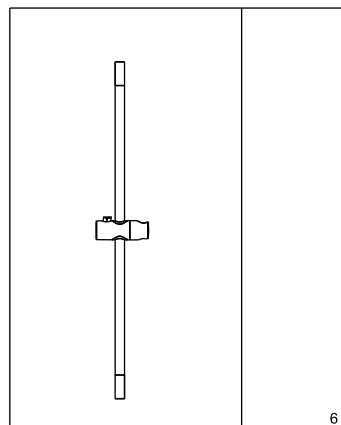
3. Drill two fitting holes by using a 6mm masonry drill bit.



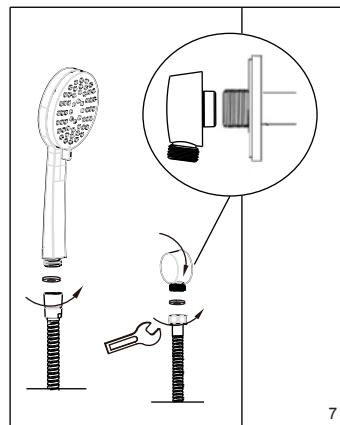
4. Fix the bar to the wall with anchors and screws.



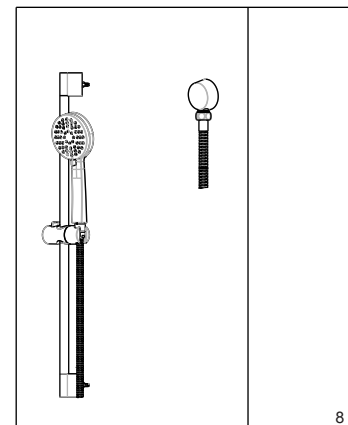
5. Assemble two trims back to brackets.



6. Complete the assembly of bar set.



7. Tighten the elbow into the outlet. Connect two ends of shower hose to the elbow and the handset.



8. Done.