

PRODUCT DATA SHEET



PRODUCT CODE

PRO110DNF_XL

RANGE

MPRO

DESCRIPTION

MPRO Basin Monobloc XL Brushed Brass

WEBSITE LINK

[Click Here](#)

CATEGORY	Brassware
WARRANTY DETAILS	15 Years
COLOUR	Brushed Brass
FINISH APPLICATION	PVD
PRIMARY MATERIAL	Brass
INSTALL TYPE	Basin Mounted
PRODUCT WIDTH MM	52
PRODUCT HEIGHT MM	175
PRODUCT DEPTH MM	155.5
PRODUCT NET WEIGHT KG	1.1
MINIMUM PRESSURE (BAR)	0.5
MAX WORKING PRESSURE (BAR)	5

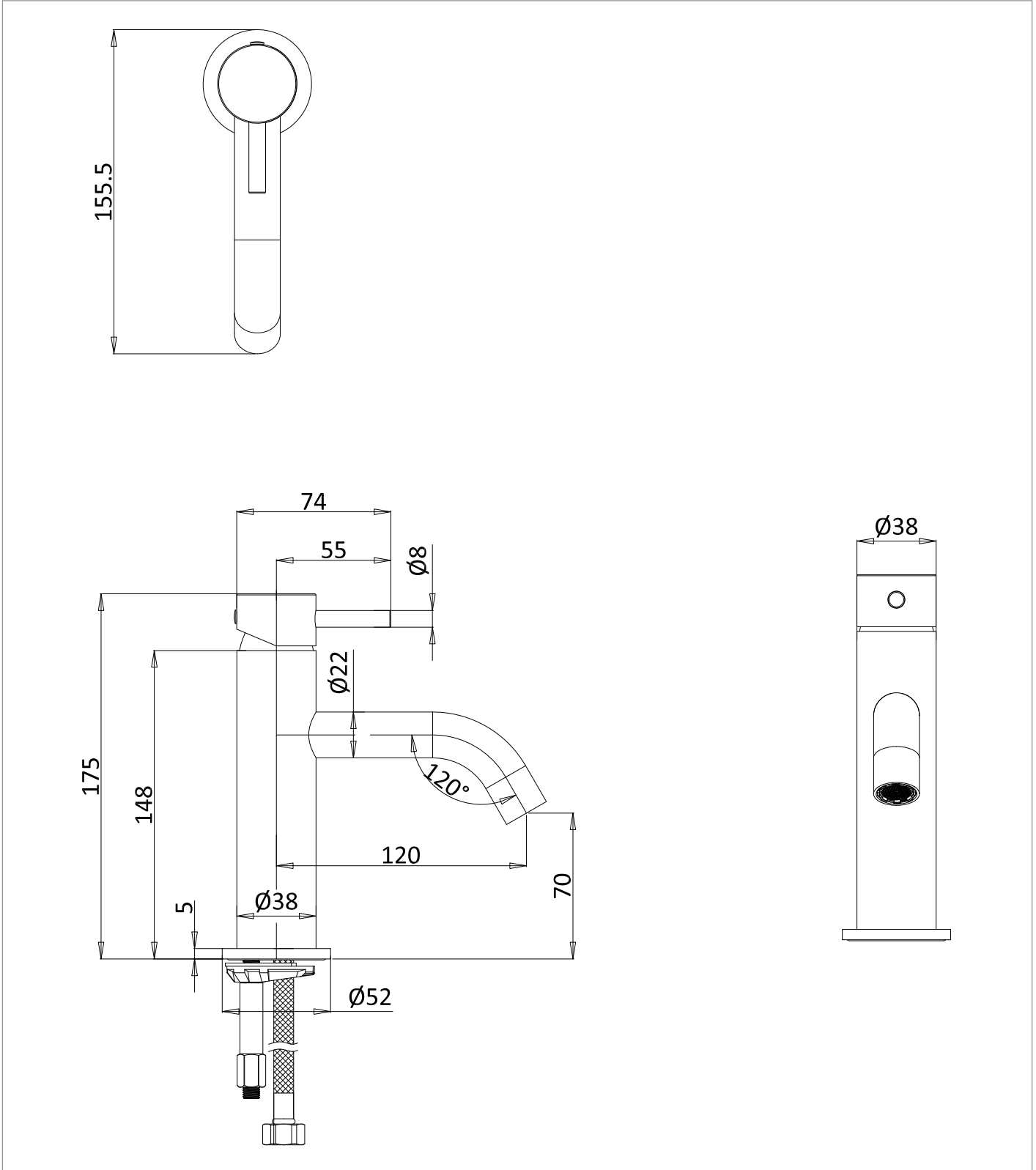
STANDARDS	BS EN 817:2008
APPROVAL	WRAS - 2401903
NUMBER OF OUTLETS	1
NUMBER OF FUNCTIONS	1
HEADWORK	D25PK4
SPOUT PROJECTION	120MM
SWIVEL SPOUT	No
FLOW REGULATOR	Cache M18x1
WASTE INCLUDED	No
ANTI-SCALD	No
ENERGY SAVING	Yes

PRESSURE (BAR)	0.2	0.5	1	2	3	4	5
PRIMARY FLOWRATE		2.74	3.8	4.5	4.8	4.93	5
HANDSET FLOWRATE							
MASSAGE FLOW RATE							
AIR FLOW RATE							
WIRE FLOW RATE							
WATERFALL FLOW RATE							
MIST FLOW RATE							
HANDSPRAY FLOW RATE							

TECHNICAL DIMENSIONS

Dimensions in mm unless otherwise specified.

Tolerances (per material type) apply.



SPARES LIST

Only the parts labelled are available as spares.

NUMBER	PART CODE	DESCRIPTION
1	CGPRO114M	Mixer Cartridge
2	PROXL00002	Flexible Hose
3	PROXL00003L	Handle for PRO110DNL_XL Brushed Nickel
	PROXL00003T	Handle for PRO110DNT_XL Slate
	PROXL00003BZ	Handle for PRO110DNBZ_XL Brushed Bronze
	PROXL00003F	Handle for PRO110DNF_XL Brushed Brass
	PROXL00003M	Handle for PRO110DNM_XL Matt Black
	PROXL00003C	Handle for PRO110DNC_XL Chrome
4	PROXL00004L	Base Plate for PRO110DNL_XL Slate
	PROXL00004T	Base Plate for PRO110DNT_XL Slate
	PROXL00004BZ	Base Plate for PRO110DNBZ_XL Brushed Bronze
	PROXL00004F	Base Plate for PRO110DNF_XL Brushed Brass
	PROXL00004M	Base Plate for PRO110DNM_XL Matt Black
	PROXL00004C	Base Plate for PRO110DNC_XL Chrome