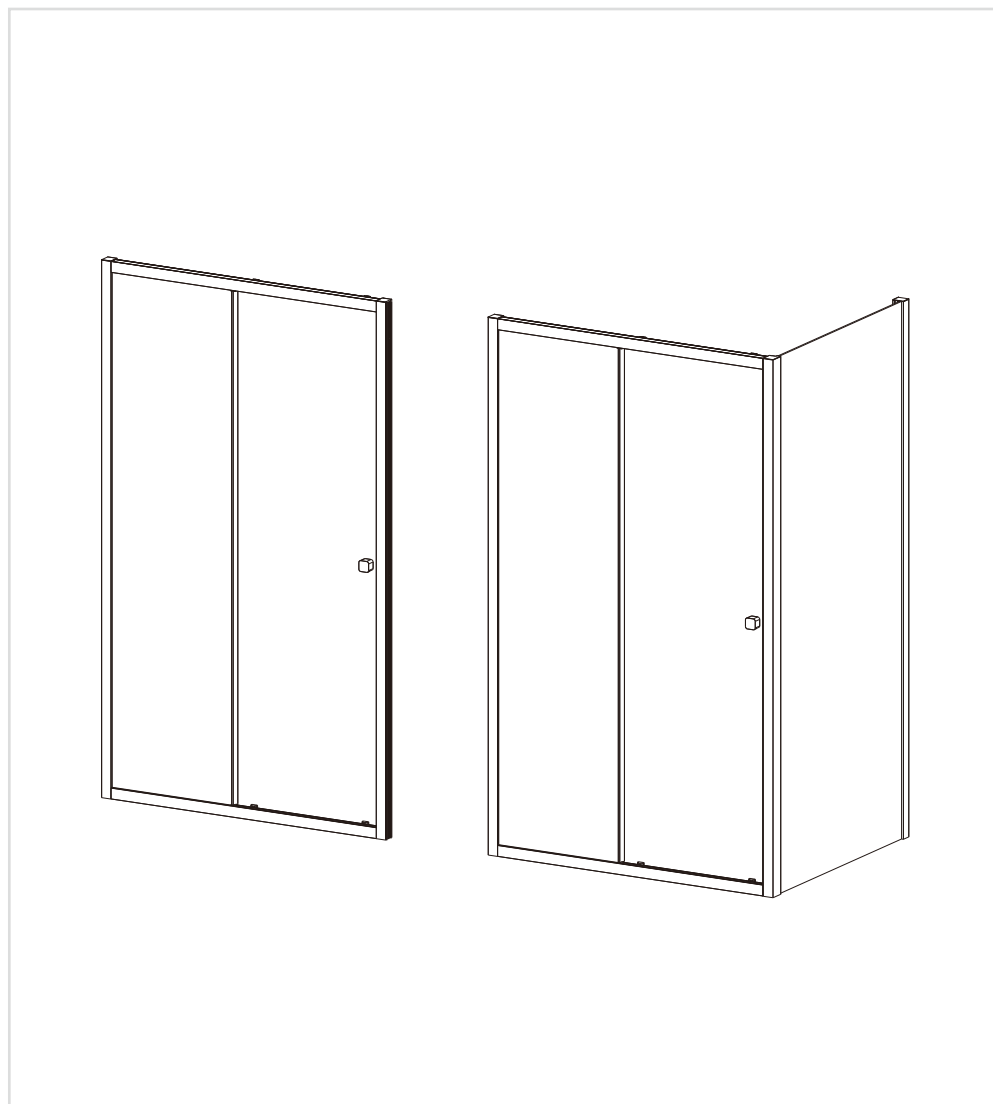


Slider Single & Side Panel



PRODUCT CODES:

CASLSC1200_V2	CASPSC0700_V2
CASLSC1400_V2	CASPSC0760_V2
CASLSC1500_V2	CASPSC0800_V2
CASLBC1200_V2	CASPSC0900_V2
CASLBC1400_V2	CASPBC0700_V2
CASLBC1500_V2	CASPBC0760_V2
CASLFC1200_V2	CASPBC0800_V2
CASLFC1400_V2	CASPBC0900_V2
CASLFC1500_V2	CASFBC0700
CASLVC1200	CASFBC0760_V2
CASLVC1400	CASFBC0800_V2
CASLVC1500	CASFBC0900_V2
CASLBZC1200	CASPVC0700
CASLBZC1400	CASPVC0760
CASLBZC1500	CASPVC0800
CASLTC1200	CASPVC0900
CASLTC1400	CASPBZC0700
CASLTC1500	CASPBZC0760
HXSLSC1200	CASPBZC0800
HXSLSC1400	CASPBZC0900
HXSLBC1200	CASPTC0700
HXSLBC1400	CASPTC0760
HXSLBC1500	CASPTC0800
HXSLFC1200	CASPTC0900
HXSLFC1400	HXSPSC0700
HXSLFC1500	HXSPSC0760
	HXSPSC0800
	HXSPSC0900
	HXSPBC0700
	HXSPBC0760
	HXSPBC0800
	HXSPBC0900
	HXSFBC0700
	HXSFBC0760
	HXSFBC0800
	HXSFBC0900

1. Pre-Installation Checklist

☑ Before You Begin:

- Ensure all tiling/grouting is complete.
- Shower tray **must be level and sealed** to tiles.
- Verify door dimensions match your space (see Section 3).
- Check for hidden pipes/cables before drilling.

⚠ Safety Notes:

- **Two people required** for installation (glass is heavy!).
- Wear gloves when handling glass edges.

2. Unpacking & Components

Confirm all parts are present:

- Please refer to all components included on following page titled “COMPONENTS”

Missing/Damaged Parts?

Contact Bathroom Brands immediately: ☎0345 873 8840.

3. Step-by-Step Installation

A. Frame Assembly

1) Mark Drill Points:

- Use a spirit level to mark vertical lines for wall profiles.
- Drill 6mm holes at marked points; insert wall plugs.

2) Attach Wall Profiles:

- Secure profiles with ST4x50mm screws (×8 total).
- Cover ends with profile caps if any.

B. Door Installation

3) Hang the Door:

- Following the instruction to assemble the door, ensure door is fully secured.
- Make necessary adjustment if door doesn't close smoothly.

4) Apply Seals:

- Install necessary seals provided on door and side panel if any.

C. Final Checks

5) Level & Secure:

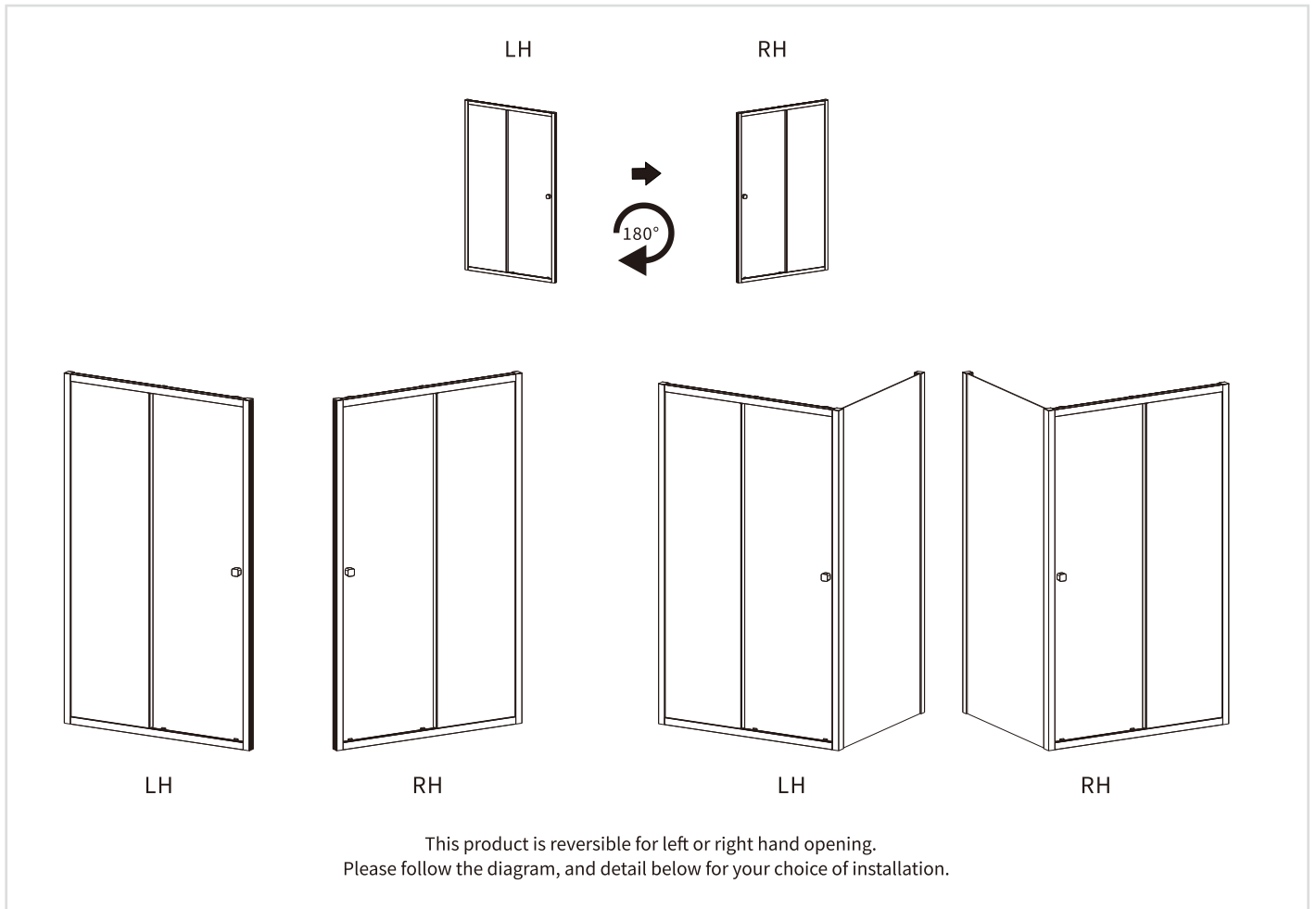
- Confirm door is level; tighten all screws.
- Let silicone cure for 24 hours before use.

4. Care & Maintenance










- **Cleaning:** Use only **pH-neutral soapy water** (pH 6.8–7.2).
- **Avoid:** Abrasives, solvents, or acidic cleaners.

Ensure seals are flush to prevent leaks.

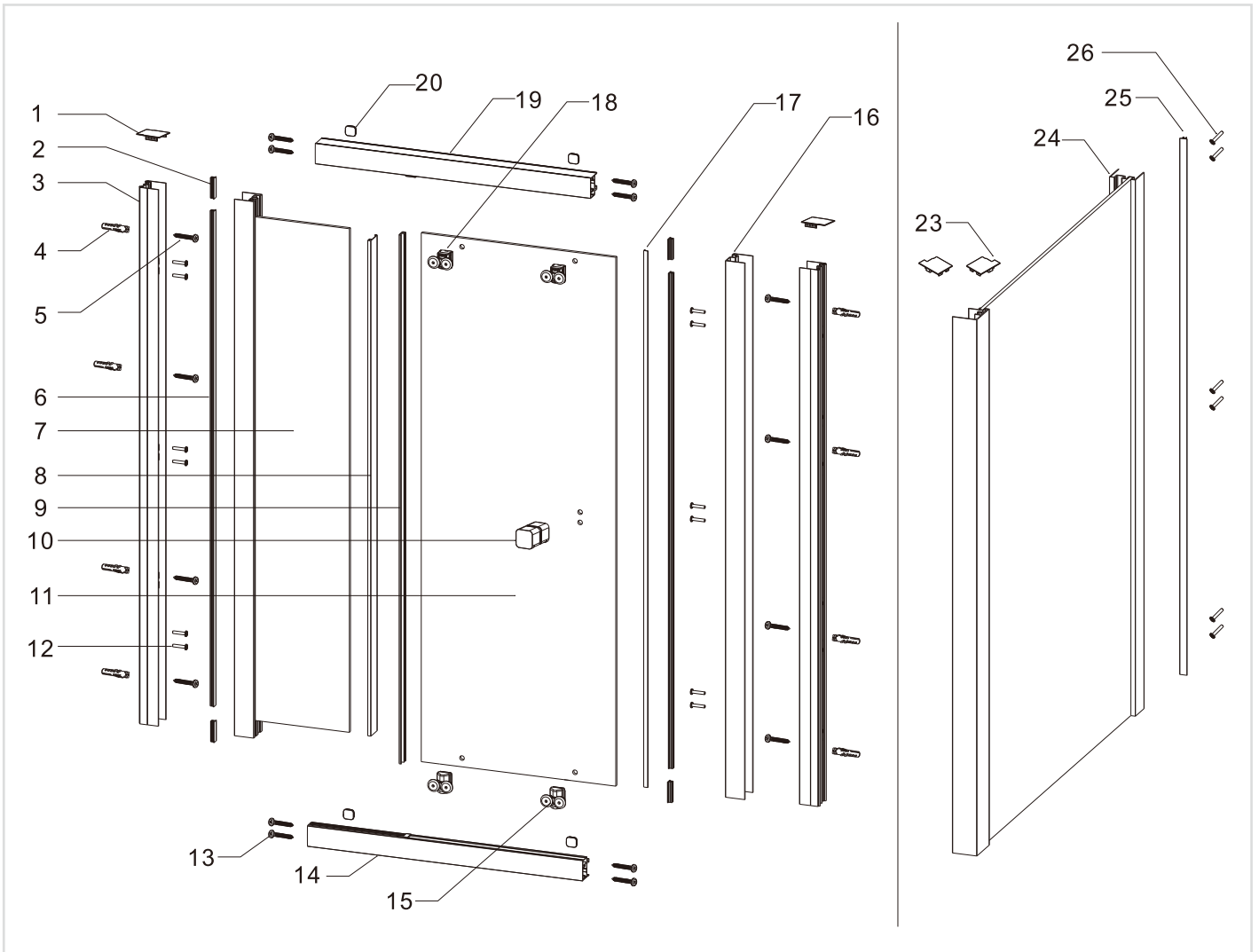
ORIENTATION




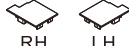




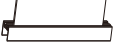





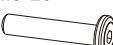













Tools Required (not supplied):

Spirit Level		Torque Screw Driver	
Pencil		Snips	
Drill		6mm Drill Bit	
Silicone		Measuring Tape	
Knife			

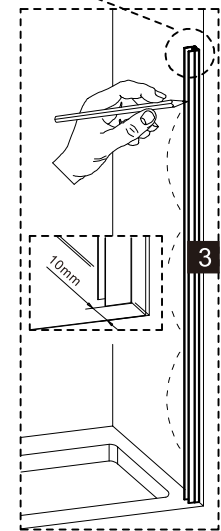
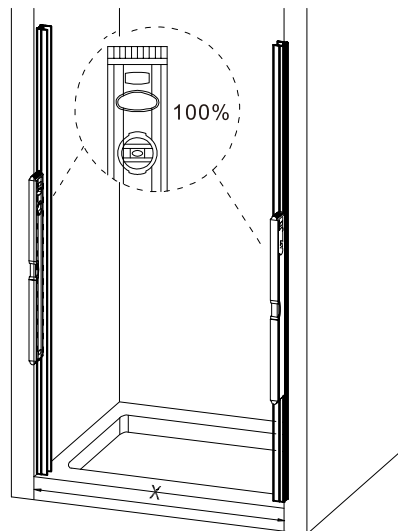
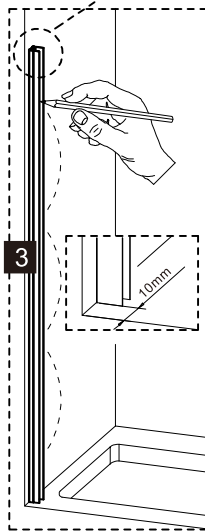
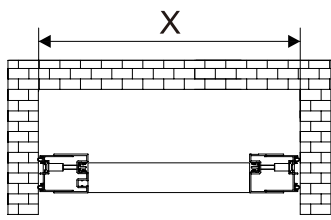
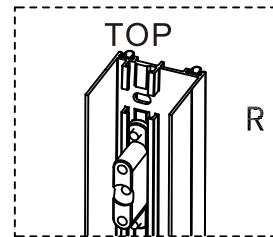
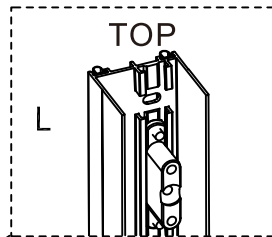
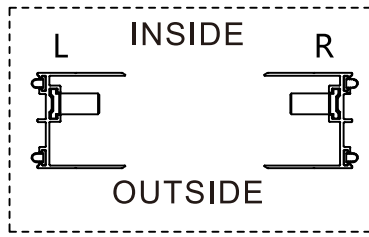
COMPONENTS



1	Wall Profile Cap		x2	2	Wall Profile Cover Strip (short)		x4	3	Wall Profile		x2	23	Corner profile cap		x1
4	Wall Plug		x8	5	Screw ST4*50		x8	6	Wall Profile Cover Strip (long) L=1870mm		x2	24	Side Panel		x1
7	Fixed Panel		x1	8	Fixed Panel Seal L=1883mm		x1	9	Moving Panel Seal L=1935mm		x1	25	Wall Profile Cover Strip L=1950mm		x1
10	Handle		x1	11	Moving Panel		x1	12	Screw M5*25		x12	26	Screw M5*25		x6
13	Screw ST4*30		x8	14	Rail A		x1	15	Bottom Roller		x2				
16	Adjusting Profile		x1	17	Adjusting profile seal		x1	18	Top Roller		x2				
19	Rail B		x1	20	Buffer cap		x4	21	Wrench		x1				
22	Allen Key														

INSTALLATION

1

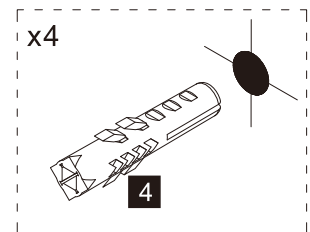
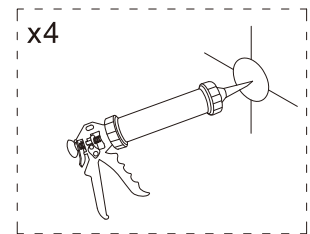
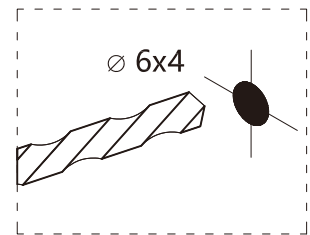
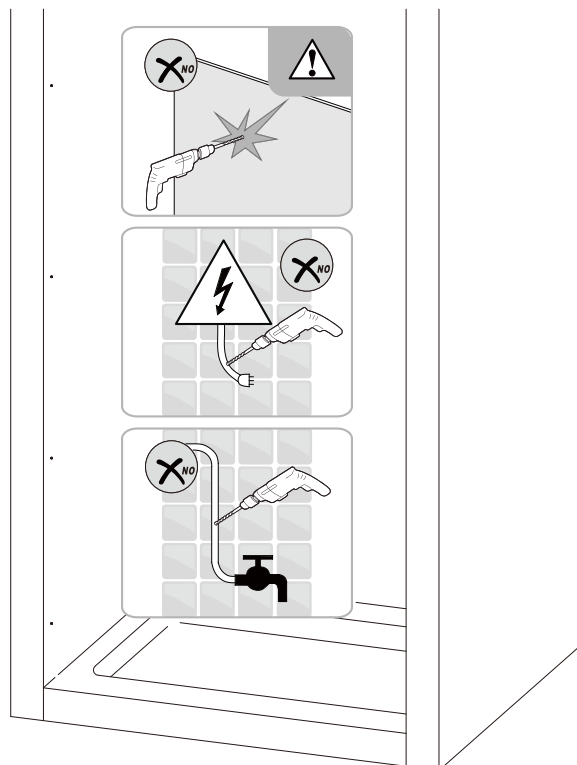
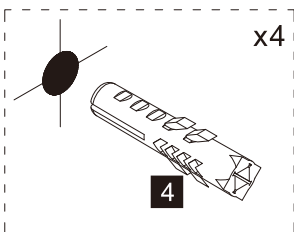
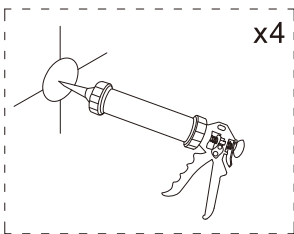
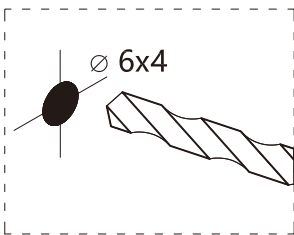


Product	X(mm)
Slider Single 1200	1150-1180
Slider Single 1400	1350-1380
Slider Single 1500	1450-1480

2

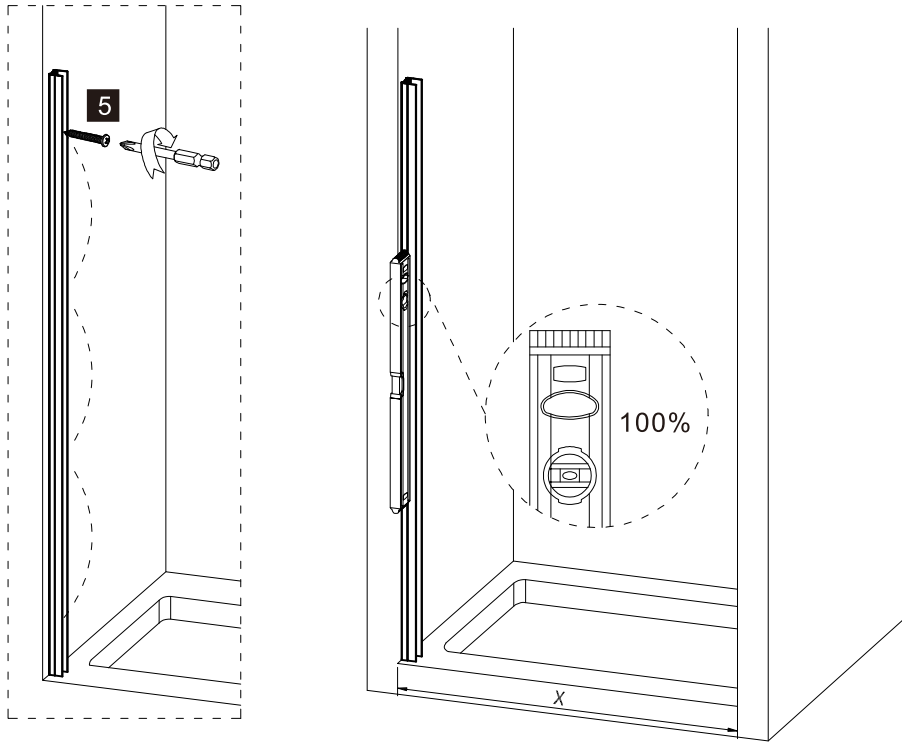
LH

RH

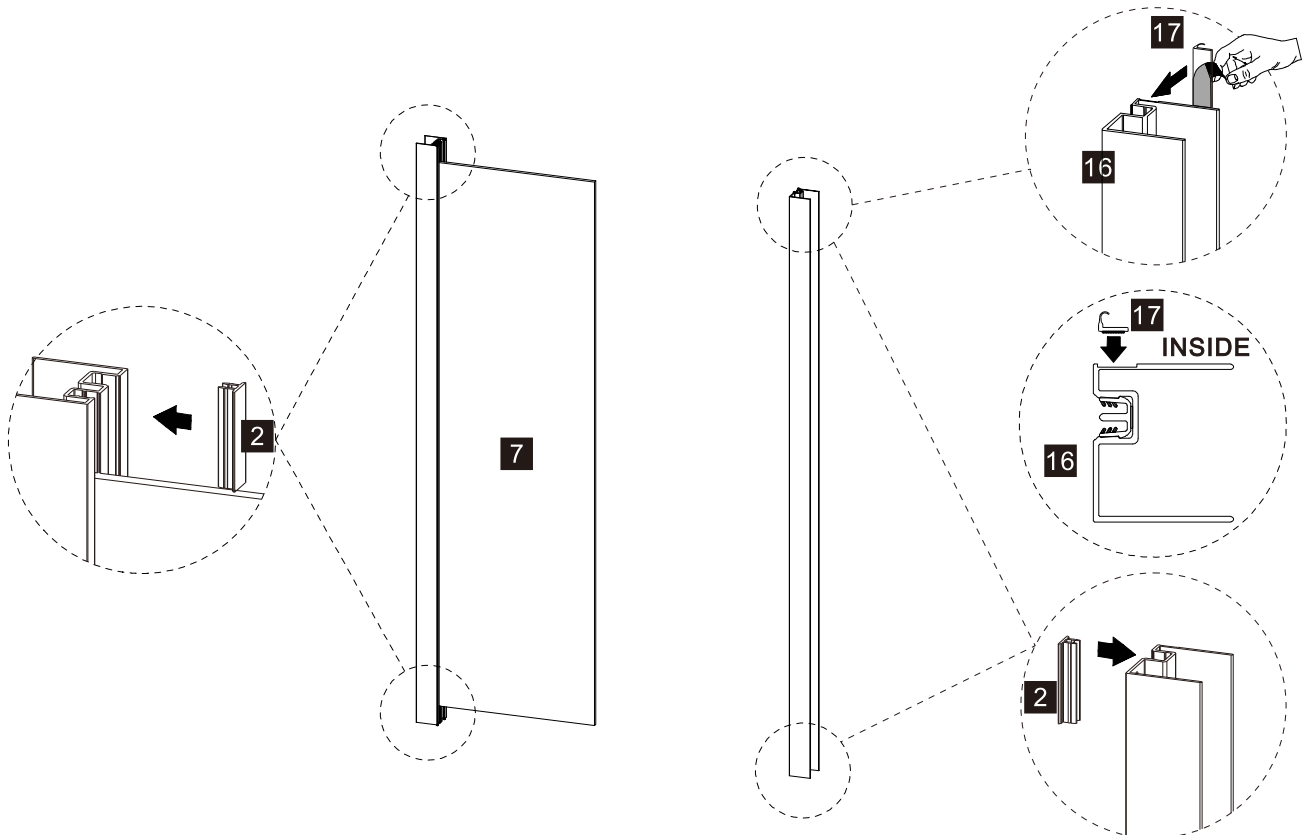


INSTALLATION

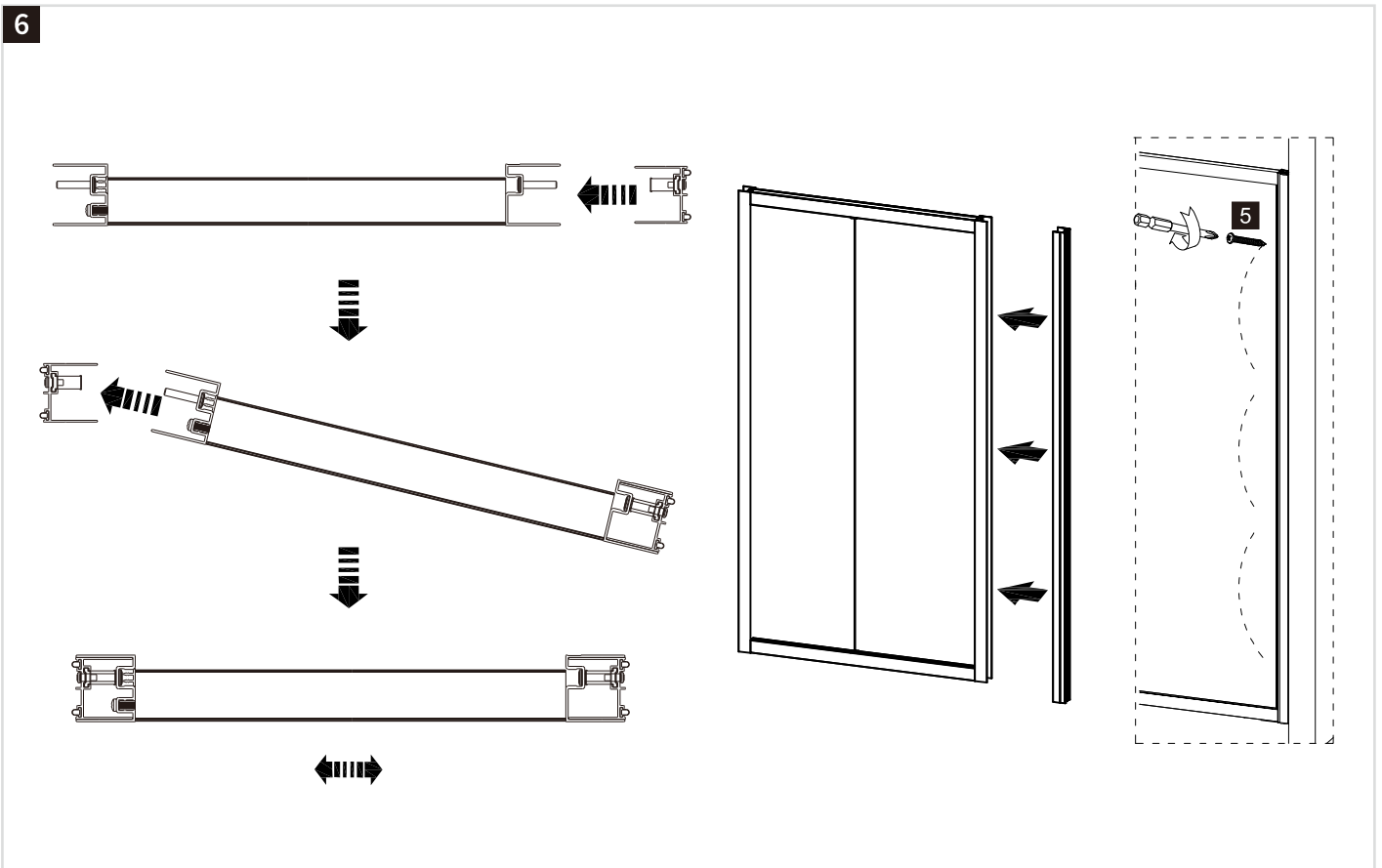
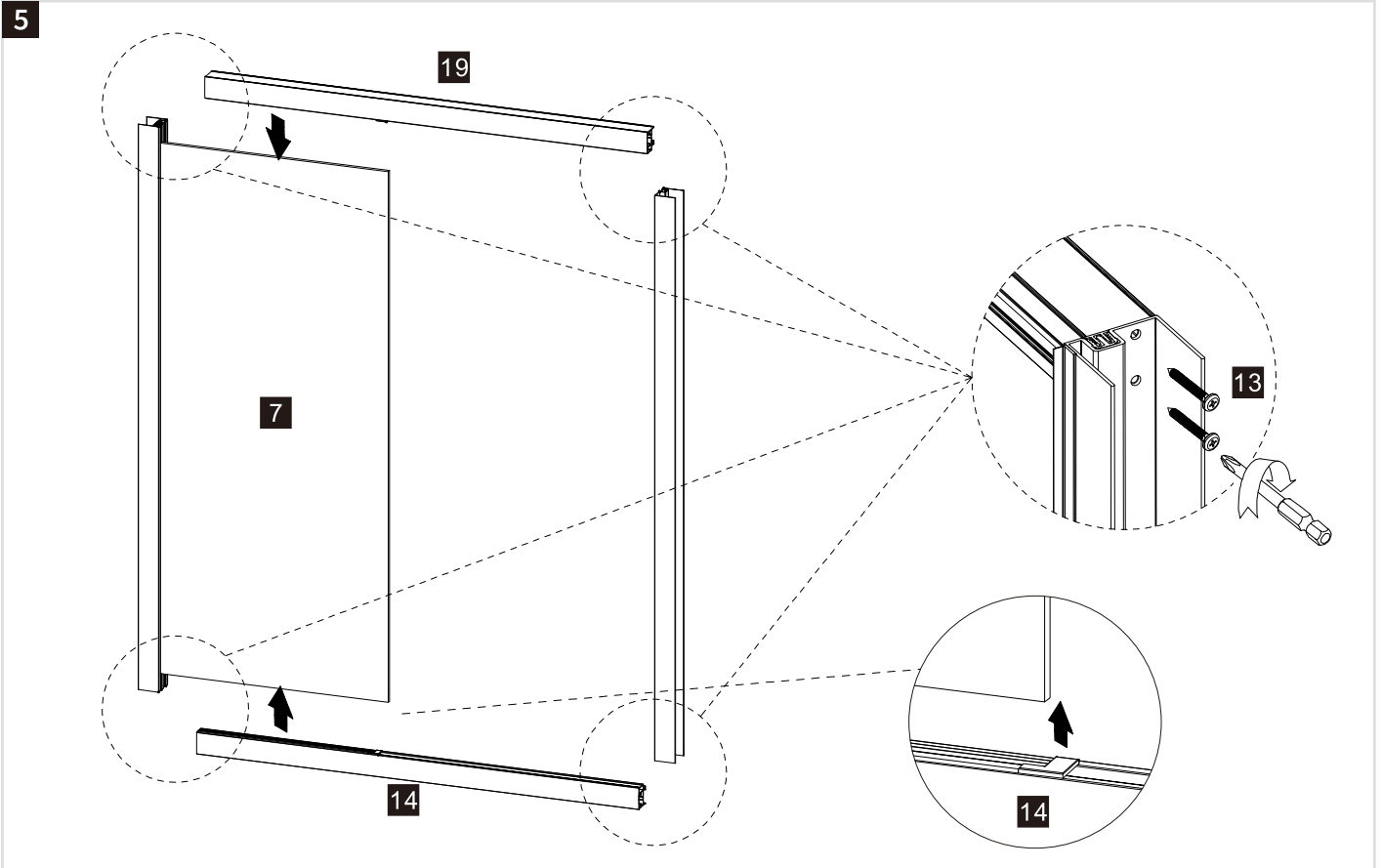
3



4

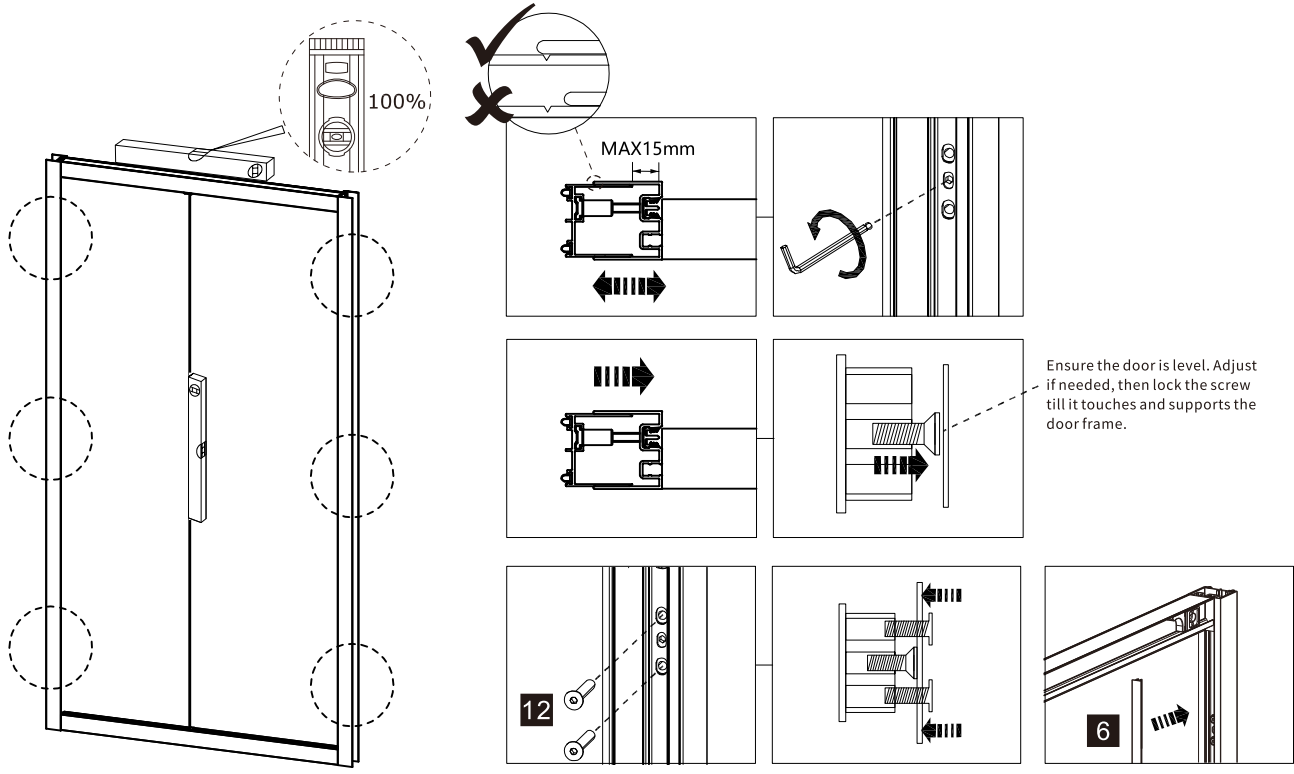


INSTALLATION

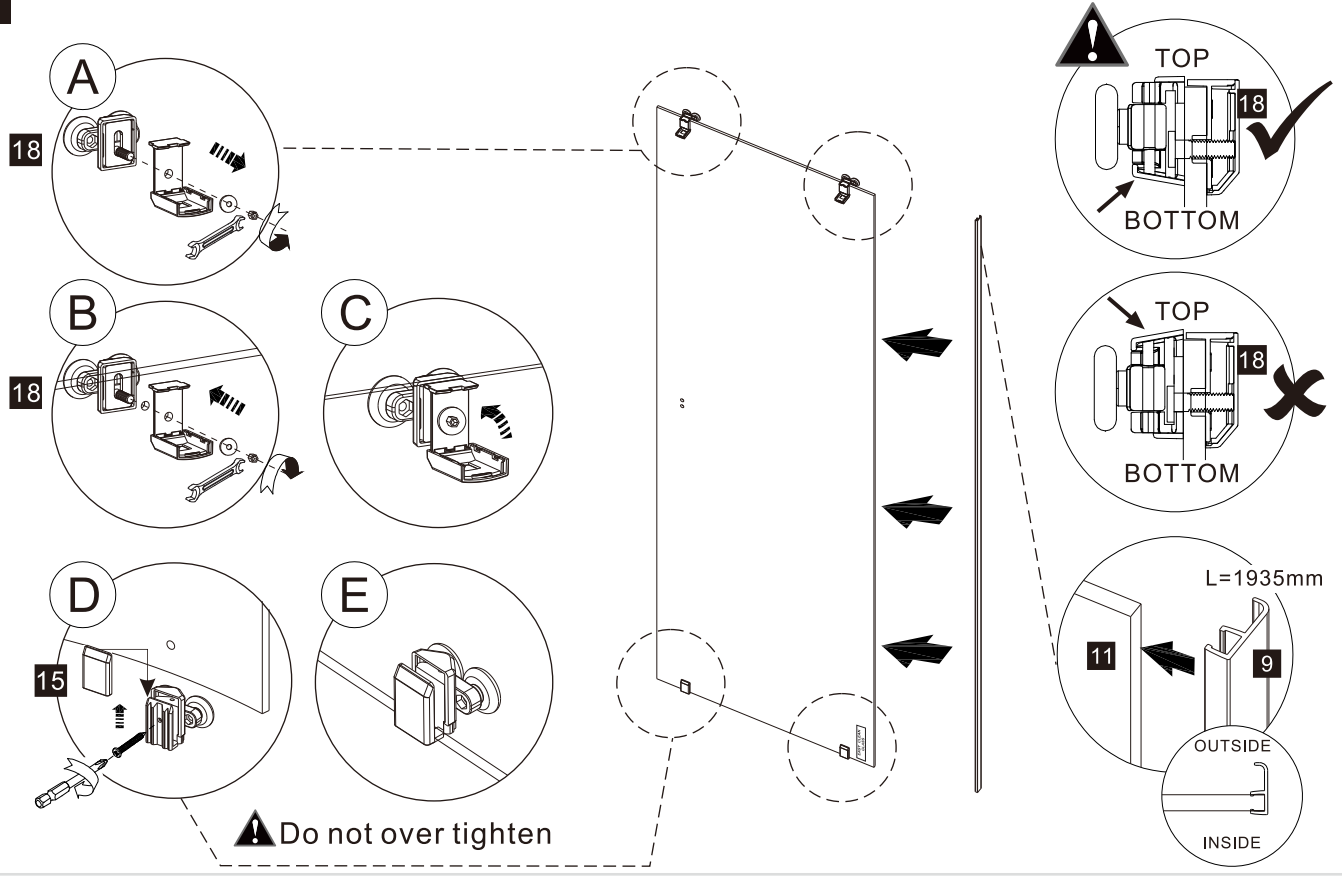


INSTALLATION

7

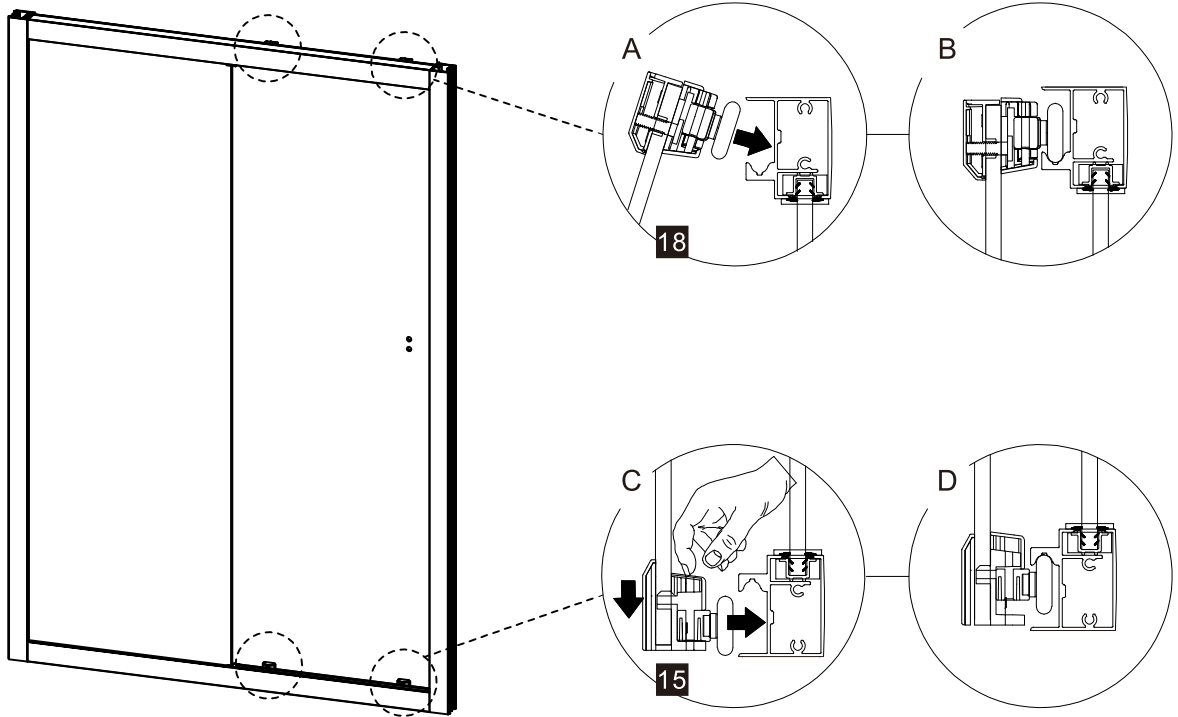


8

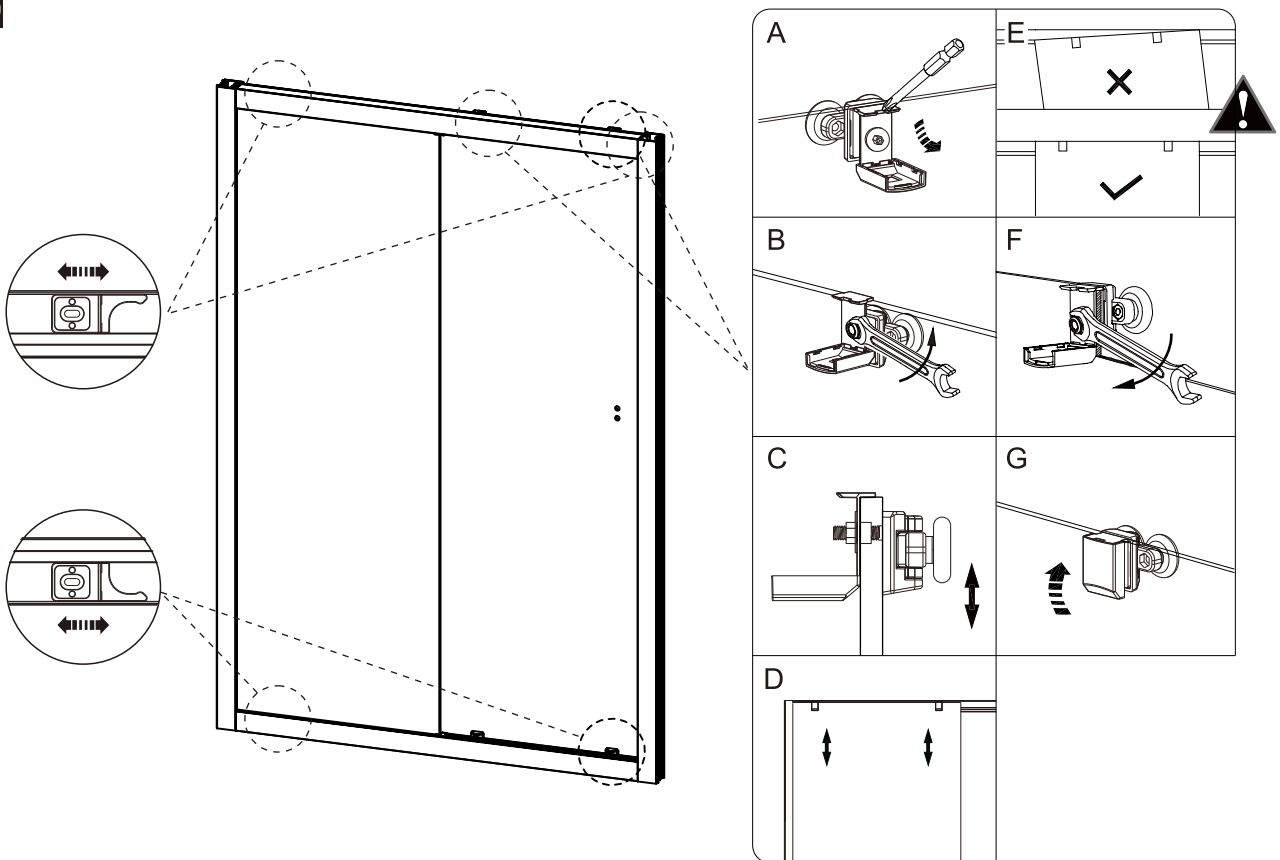


INSTALLATION

9

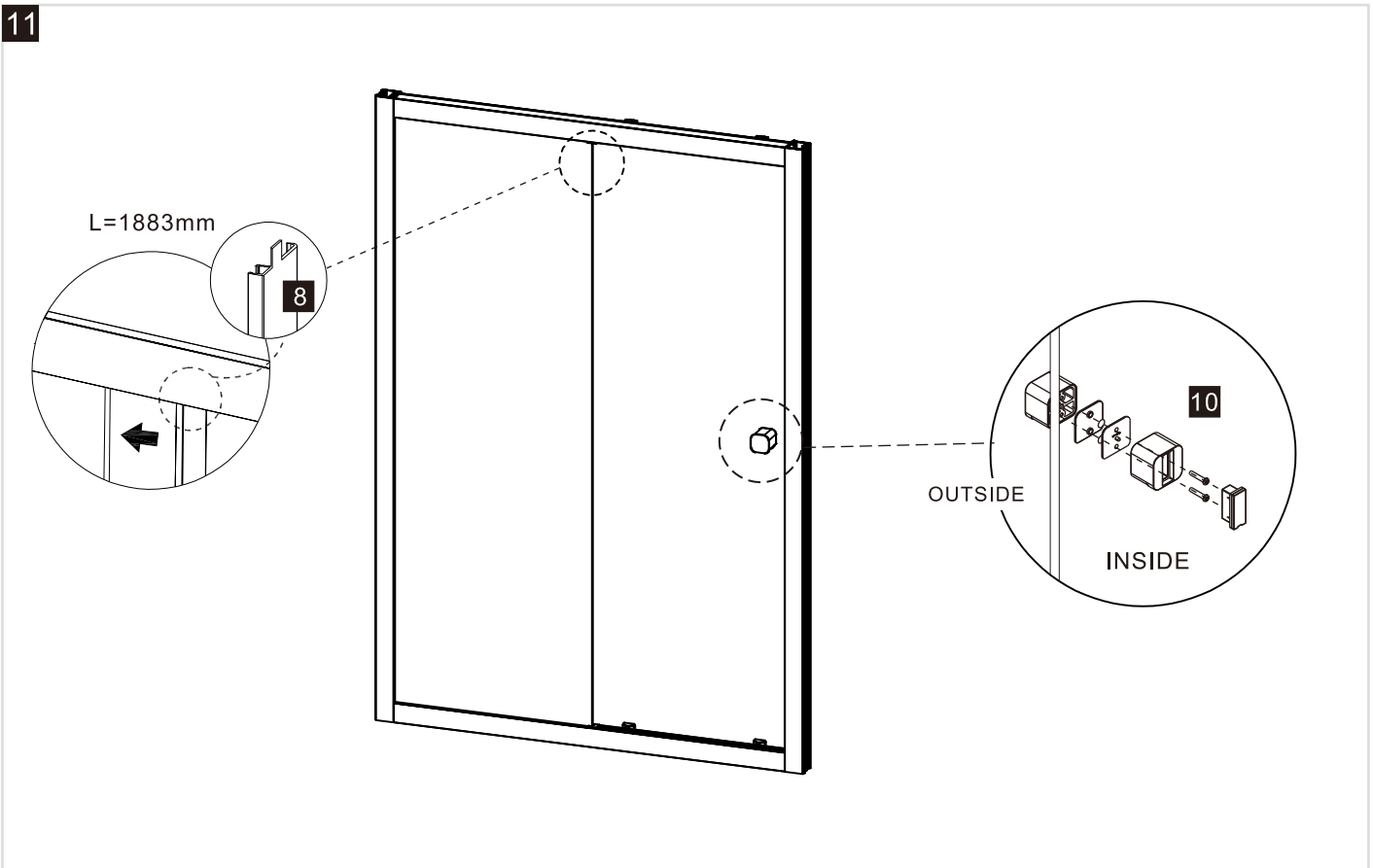


10

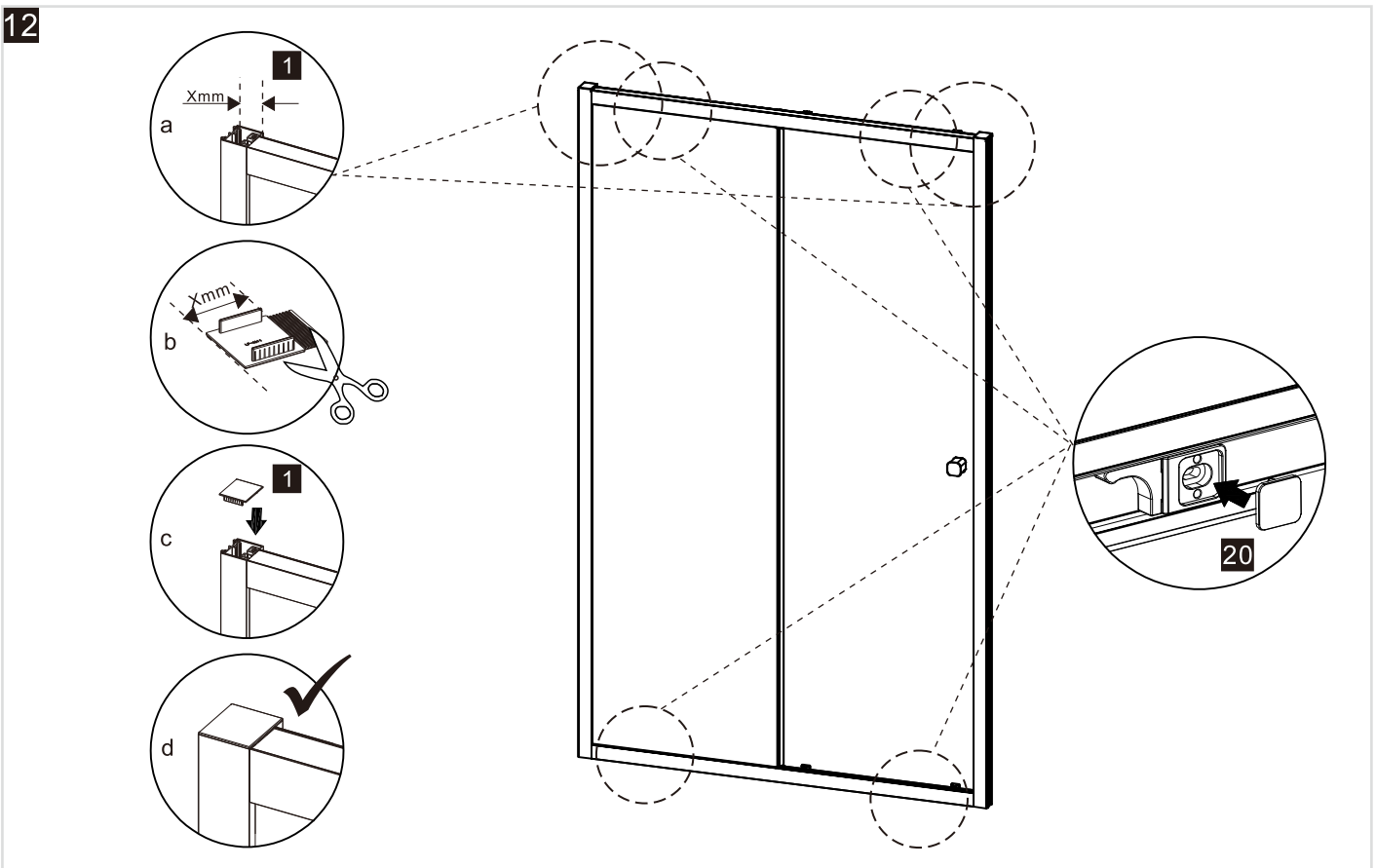


INSTALLATION

11

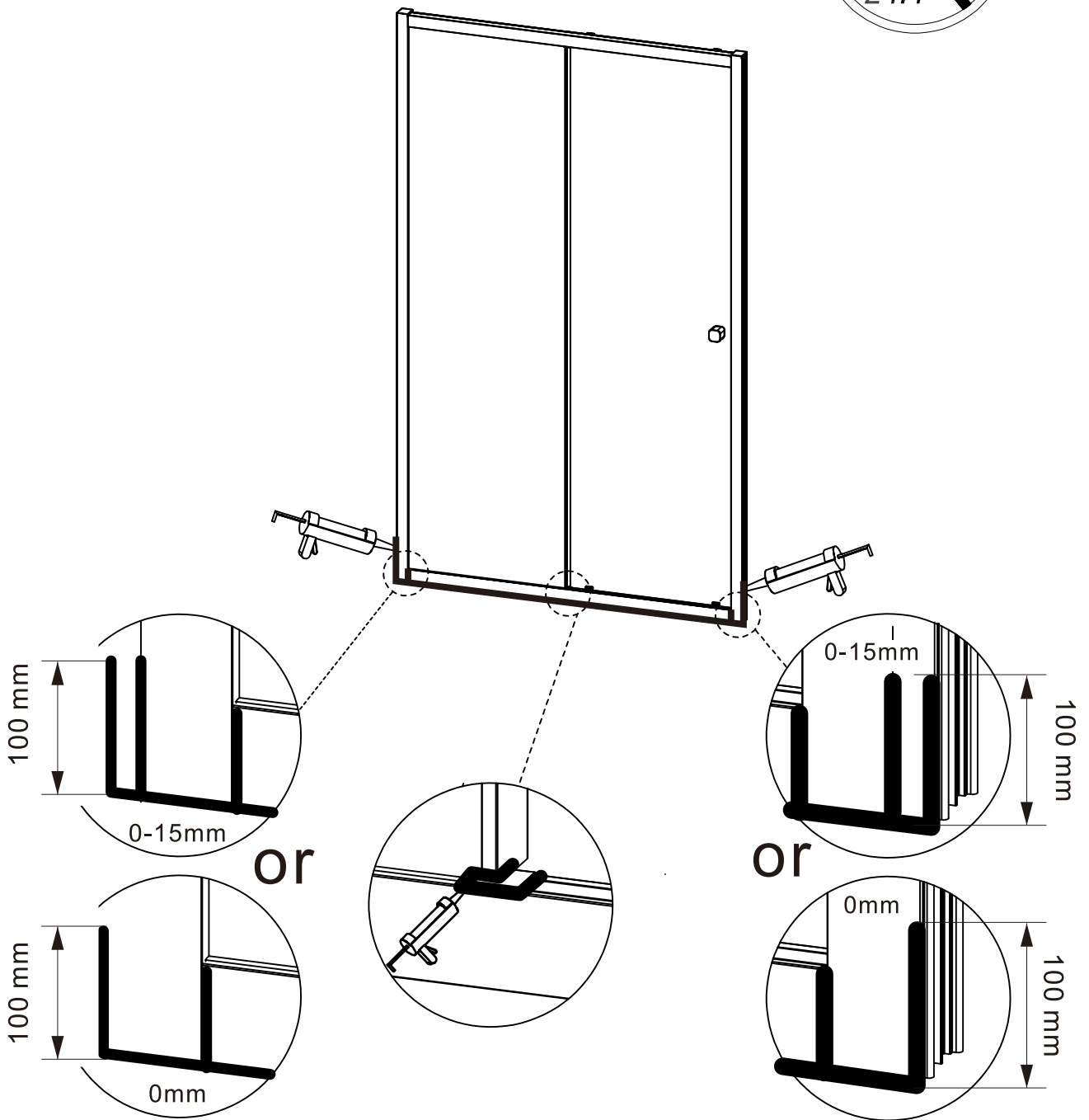


12



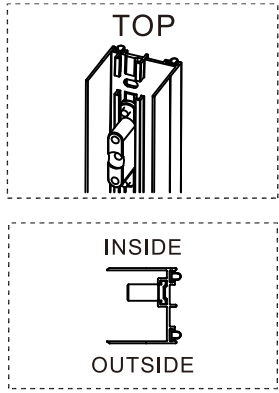
INSTALLATION

13



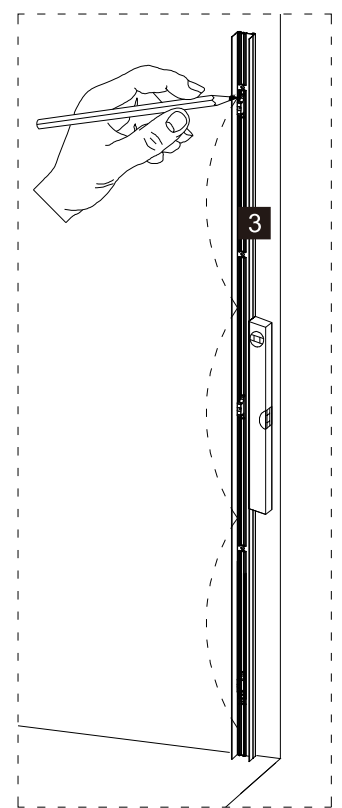
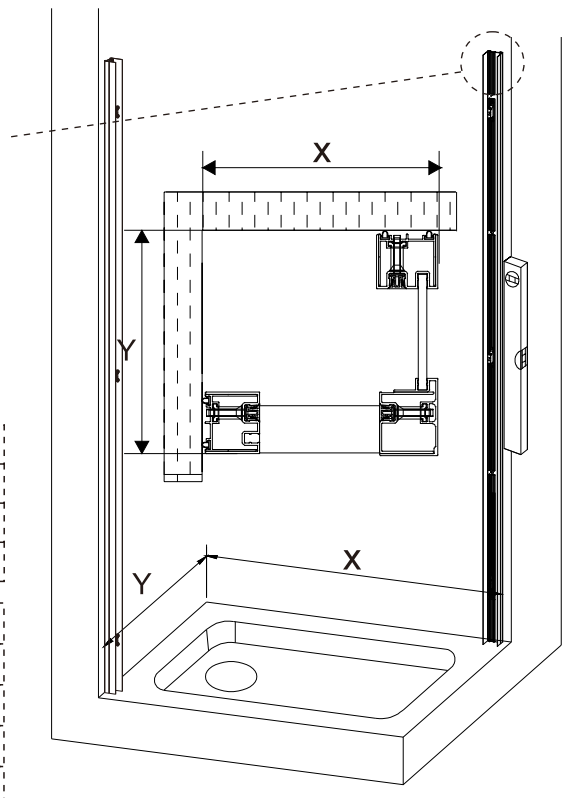
INSTALLATION

14

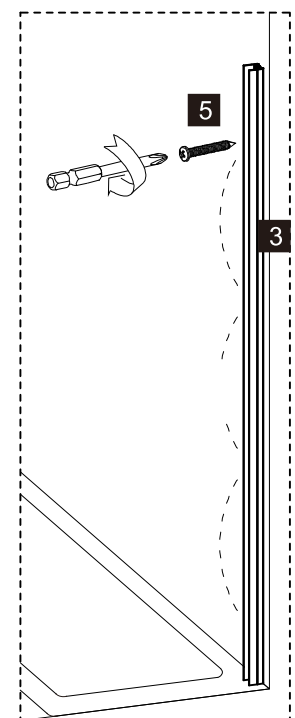
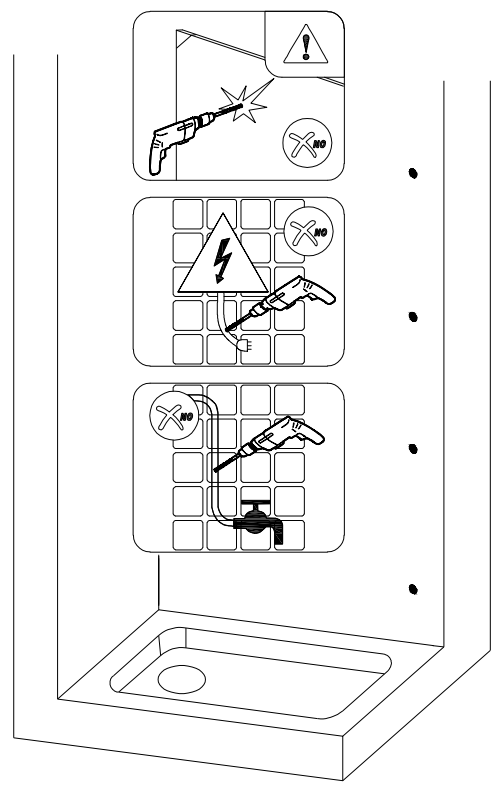
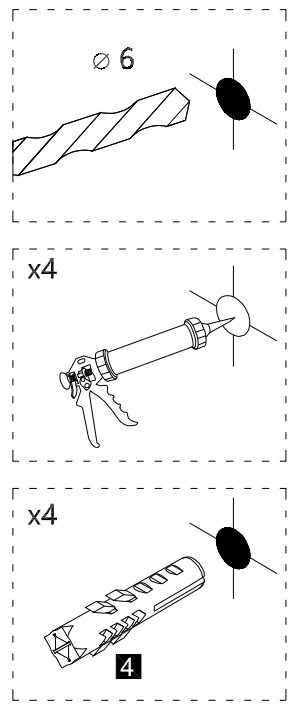


Product	X(mm)
Slider Single 1200	1150-1180
Slider Single 1400	1350-1380
Slider Single 1500	1450-1480

Product	Y(mm)
Side Panel 700	653-668
Side Panel 760	713-728
Side Panel 800	753-768
Side Panel 900	853-868

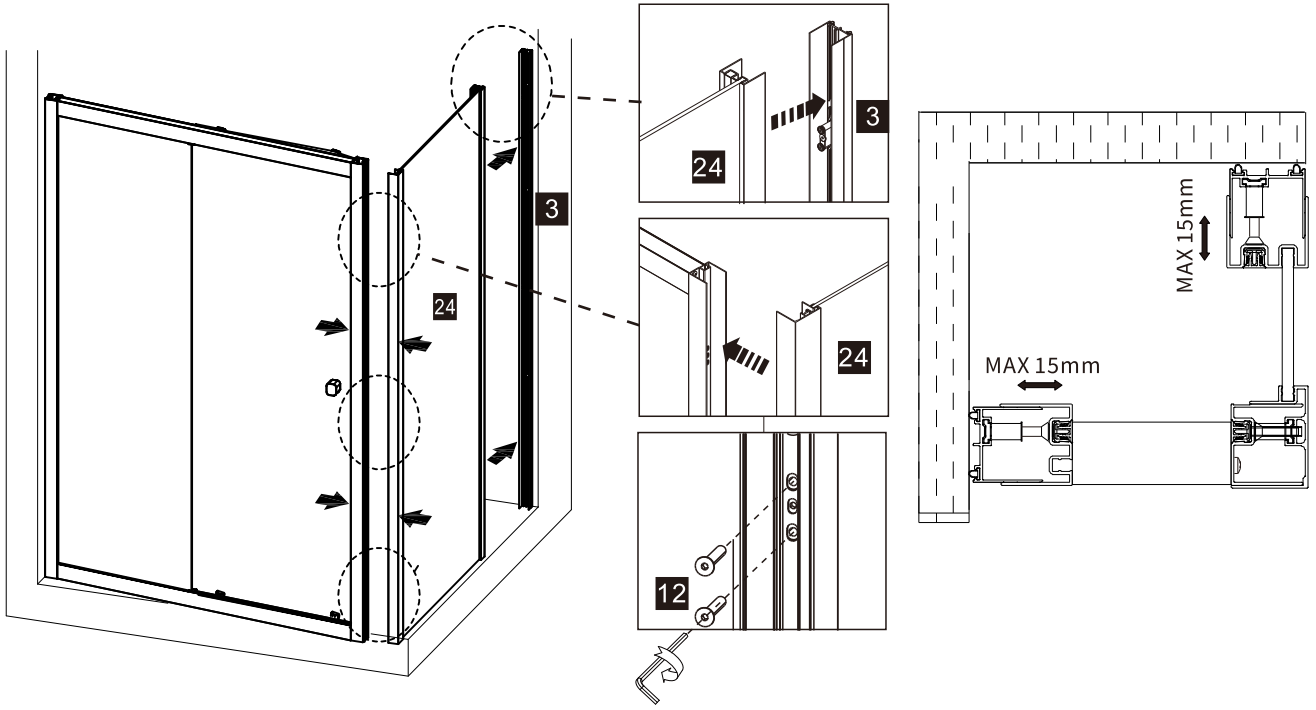


15

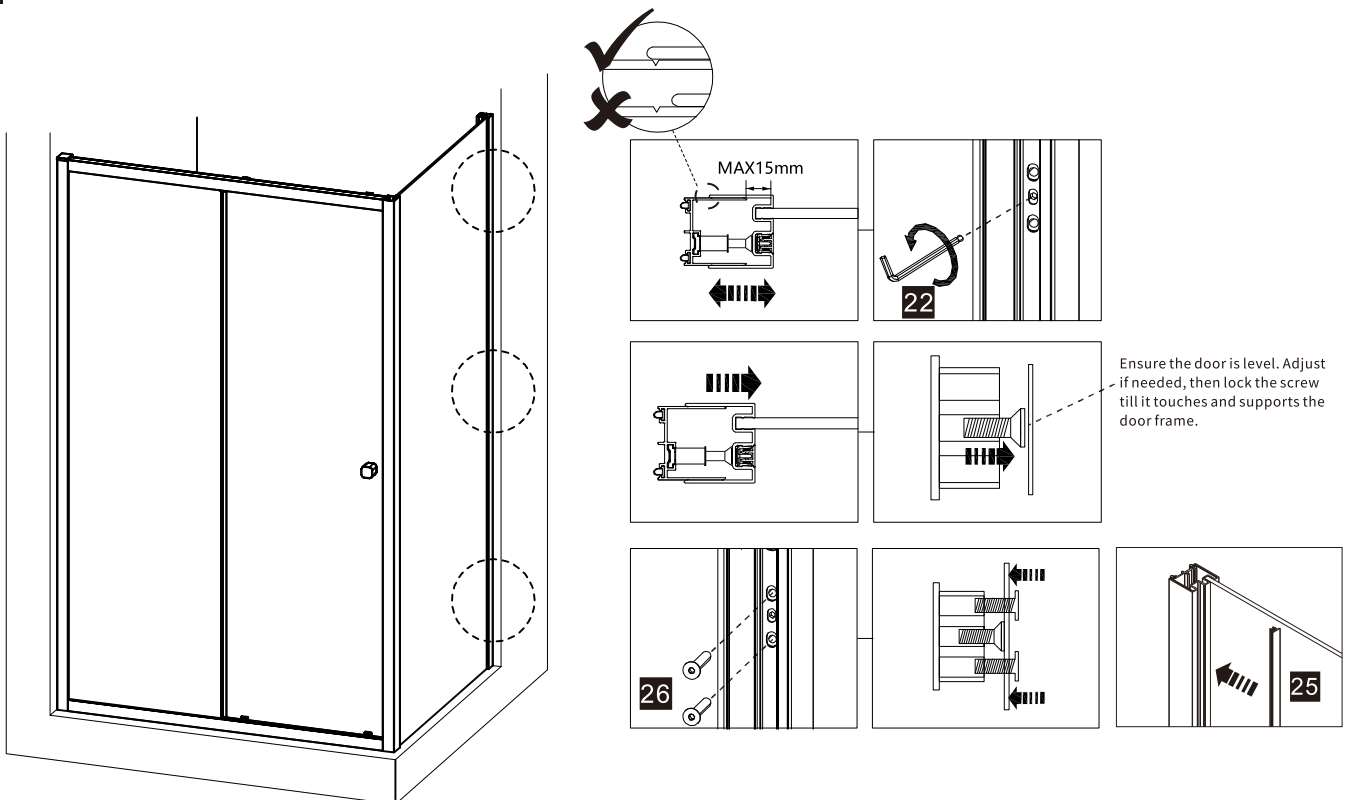


INSTALLATION

16

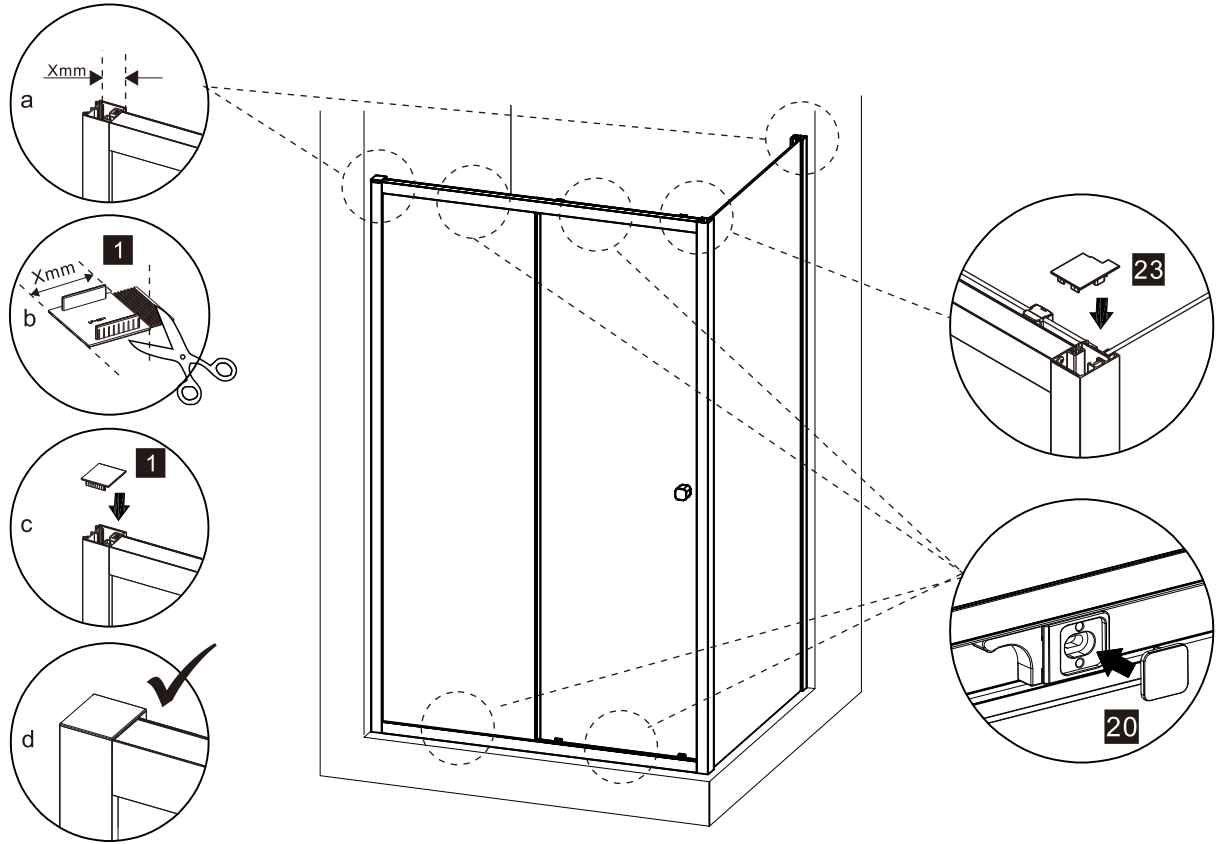


17



INSTALLATION

18



19

