

# PRODUCT DATA SHEET



## PRODUCT CODE

WCC46X39R

## RANGE

Toilet Cisterns

## DESCRIPTION

Dual Flush Concealed Cistern (with discharge pipe & installation kit)

## WEBSITE LINK

[Click Here](#)

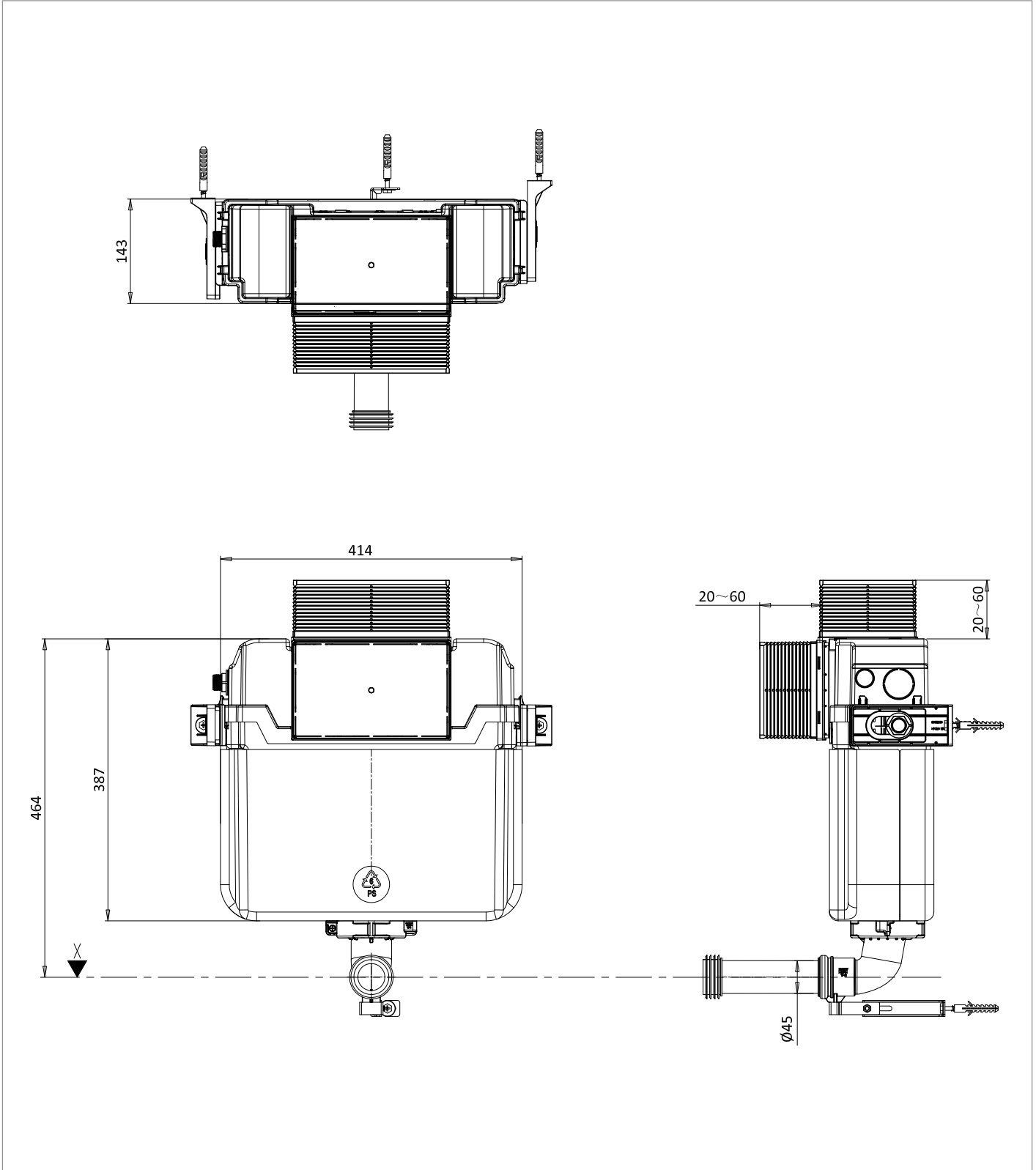
|                       |              |
|-----------------------|--------------|
| CATEGORY              | Sanitaryware |
| WARRANTY DETAILS      | 5 Years      |
| PRIMARY MATERIAL      | Plastic      |
| INSTALL TYPE          | Wall Mounted |
| PRODUCT WIDTH MM      | 414          |
| PRODUCT HEIGHT MM     | 387          |
| PRODUCT LENGTH MM     | 143          |
| PRODUCT NET WEIGHT KG | 2.93         |

|                         |  |
|-------------------------|--|
| STANDARDS               | BS EN 14055:2018                       |
| APPROVAL                | WRAS - 2303396                         |
| FIXINGS INCLUDED        | Yes                                    |
| FLUSH VOLUME            | 6/4L                                   |
| FIXING TYPE             | Wall Mounted fixing                    |
| CISTERN FLUSH MECHANISM | Dual Flush with Mechanical Flush Plate |
| NOISE CLASS             | Group I                                |

## TECHNICAL DIMENSIONS

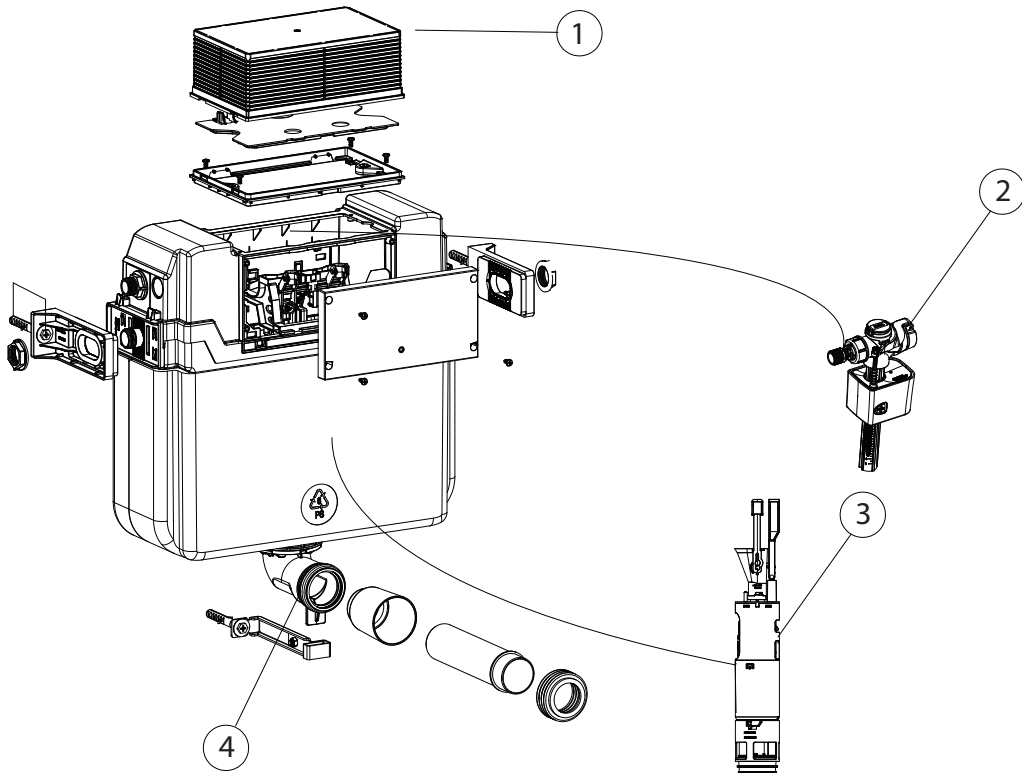
Dimensions in mm unless otherwise specified.

Tolerances (per material type) apply.



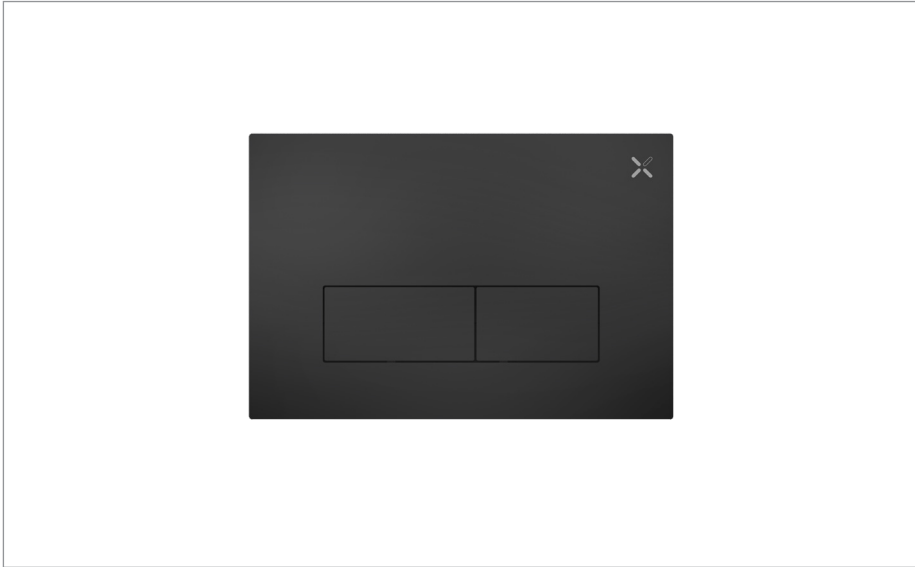
## SPARES LIST

Only the parts labelled are available as spares.



| NUMBER | PART CODE | DESCRIPTION   |
|--------|-----------|---|
| 1      | CWSP008   | Flush plate mounting assembly for WCC46X39R/WCF80X45R/WCF98X45R |
| 2      | CWSP020   | Replacement fill valve for WCC46X39R/WCF80X45R/WCF98X45R        |
| 3      | CWSP024   | Replacement flush valve for WCC46X39R/WCF80X45R/WCF98X45R       |
| 4      | CWSP028   | Replacement waste pipe for concealed frames                     |

# PRODUCT DATA SHEET



## PRODUCT CODE

MPROSPLATEMB

## RANGE

MPRO

## DESCRIPTION

MPRO Stainless Steel Flush Plate Matt Black

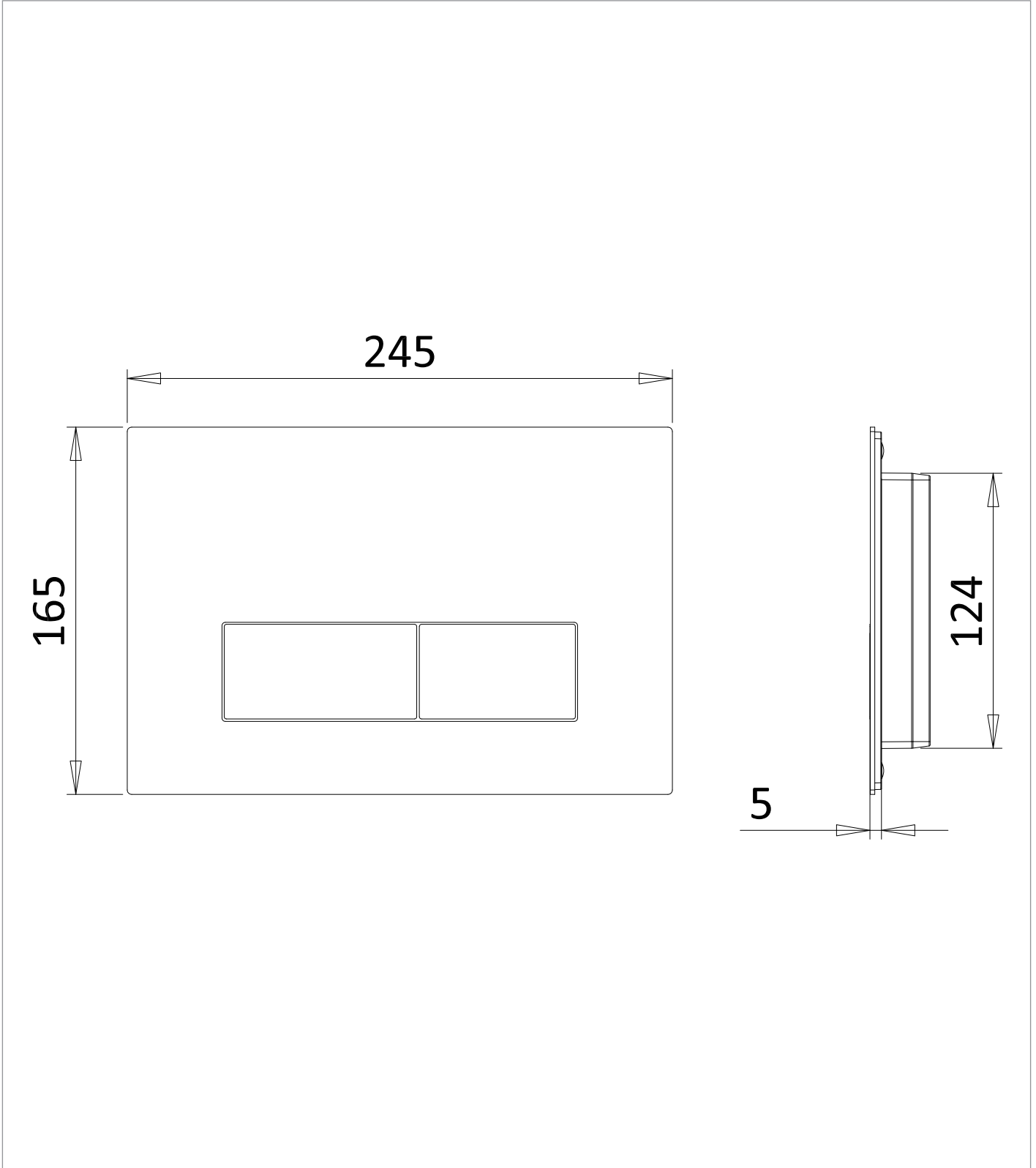
|                       |                     |
|-----------------------|---------------------|
| CATEGORY              | Sanitaryware        |
| WARRANTY DETAILS      | 2 Years             |
| COLOUR                | Matt Black          |
| FINISH APPLICATION    | Lacquered           |
| PRIMARY MATERIAL      | 304 Stainless Steel |
| SECONDARY MATERIAL    | ABS                 |
| INSTALL TYPE          | Wall Mounted        |
| PRODUCT WIDTH MM      | 245.3               |
| PRODUCT HEIGHT MM     | 27.1                |
| PRODUCT LENGTH MM     | 165.3               |
| PRODUCT NET WEIGHT KG | 0.85                |

|                         |                       |
|-------------------------|-----------------------|
| FIXINGS INCLUDED        | Yes                   |
| CISTERN FLUSH MECHANISM | Dual Flush Mechanical |

## TECHNICAL DIMENSIONS

Dimensions in mm unless otherwise specified.

Tolerances (per material type) apply.



## SPARES LIST

Only the parts labelled are available as spares.

**NO SPARES AVAILABLE**