

PRODUCT DATA SHEET



PRODUCT CODE

CROSSBOX

RANGE

Crossbox

DESCRIPTION

Crossbox In Universal Rough

WEBSITE LINK

[Click Here](#)

| | |
|-----------------------|--------------|
| CATEGORY | Brassware |
| WARRANTY DETAILS | 15 Years |
| FINISH APPLICATION | Raw/Natural |
| PRIMARY MATERIAL | Brass |
| INSTALL TYPE | Wall Mounted |
| PRODUCT WIDTH MM | 166 |
| PRODUCT HEIGHT MM | 199 |
| PRODUCT NET WEIGHT KG | 1.86 |

| | |
|---------------------------|----------------|
| APPROVAL | KIWA - 2501751 |
| NUMBER OF OUTLETS | 1-3 |
| INLET CONNECTIONS THREAD | G1/2" |
| OUTLET CONNECTIONS THREAD | G1/2" |

| PRESSURE (BAR) | 0.2 | 0.5 | 1 | 2 | 3 | 4 | 5 |
|---------------------|-----|-----|---|---|---|---|---|
| PRIMARY FLOWRATE | | | | | | | |
| HANDSET FLOWRATE | | | | | | | |
| MESSAGE FLOW RATE | | | | | | | |
| AIR FLOW RATE | | | | | | | |
| WIRE FLOW RATE | | | | | | | |
| WATERFALL FLOW RATE | | | | | | | |
| MIST FLOW RATE | | | | | | | |
| HANDSPRAY FLOW RATE | | | | | | | |

TECHNICAL DIMENSIONS

Dimensions in mm unless otherwise specified.

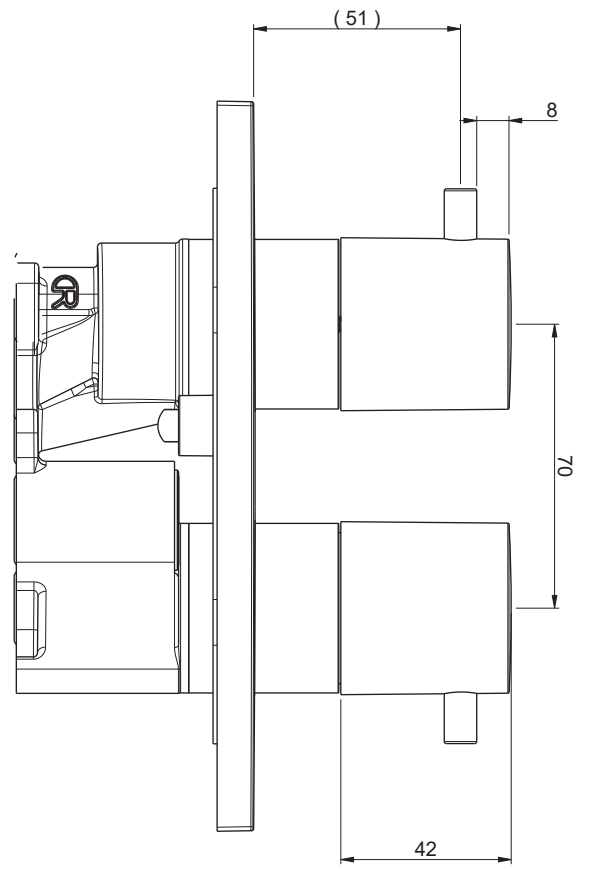
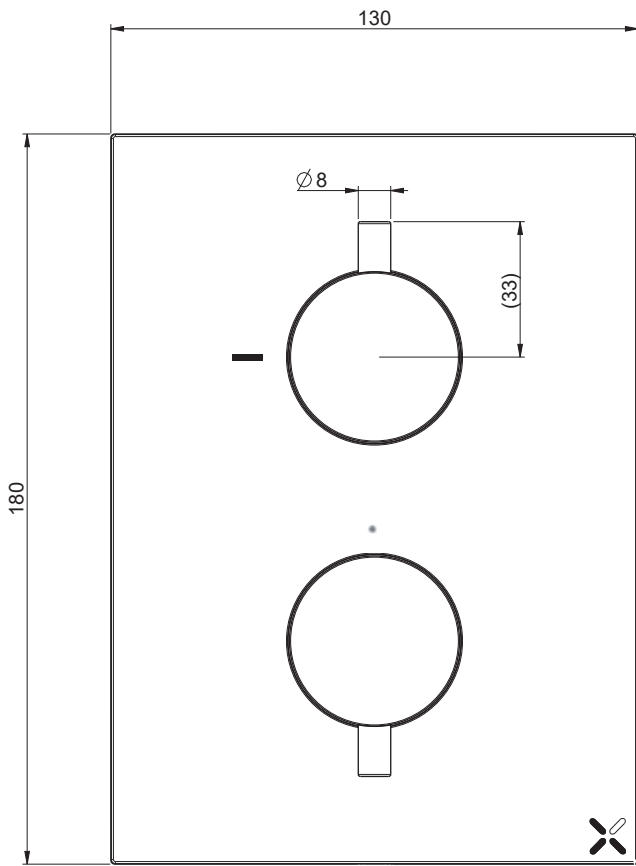
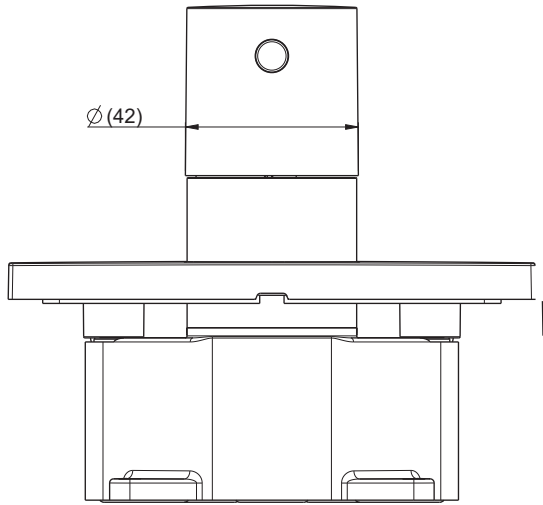
Tolerances (per material type) apply.



SPARES LIST

Only the parts labelled are available as spares.

| NUMBER | PART CODE | DESCRIPTION |
|--------|----------------|------------------------------|
| 1 | E00309000000SA | Crossbox Spare Fitting Kit |
| 2 | E25000700000SA | Crossbox Frame for Backplate |
| 3 | E25000800000SA | Crossbox Screw Kit |



PRODUCT DATA SHEET



PRODUCT CODE

FH684T_V2

RANGE

Shower Arm

DESCRIPTION

Shower Arm 350mm Slate

WEBSITE LINK

[Click Here](#)

| | |
|-----------------------|--------------|
| CATEGORY | Brassware |
| WARRANTY DETAILS | 15 Years |
| COLOUR | Slate |
| FINISH APPLICATION | PVD |
| PRIMARY MATERIAL | Brass |
| INSTALL TYPE | Wall Mounted |
| PRODUCT WIDTH MM | 340 |
| PRODUCT HEIGHT MM | 60 |
| PRODUCT LENGTH MM | 110 |
| PRODUCT DEPTH MM | 20 |
| PRODUCT NET WEIGHT KG | 0.1 |

| | |
|---------------------------|-----------------|
| STANDARDS | BS EN 1112:2008 |
| APPROVAL | KIWA - 2302755 |
| NUMBER OF OUTLETS | 1 |
| NUMBER OF FUNCTIONS | 1 |
| SWIVEL SPOUT | No |
| INLET CONNECTIONS THREAD | G1/2" |
| OUTLET CONNECTIONS THREAD | G1/2" |
| WASTE INCLUDED | No |
| ANTI-SCALD | No |
| ENERGY SAVING | No |

| PRESSURE (BAR) | 0.2 | 0.5 | 1 | 2 | 3 | 4 | 5 |
|---------------------|-----|-----|---|---|---|---|---|
| PRIMARY FLOWRATE | | | | | | | |
| HANDSET FLOWRATE | | | | | | | |
| MASSAGE FLOW RATE | | | | | | | |
| AIR FLOW RATE | | | | | | | |
| WIRE FLOW RATE | | | | | | | |
| WATERFALL FLOW RATE | | | | | | | |
| MIST FLOW RATE | | | | | | | |
| HANDSPRAY FLOW RATE | | | | | | | |

TECHNICAL DIMENSIONS

Dimensions in mm unless otherwise specified.

Tolerances (per material type) apply.

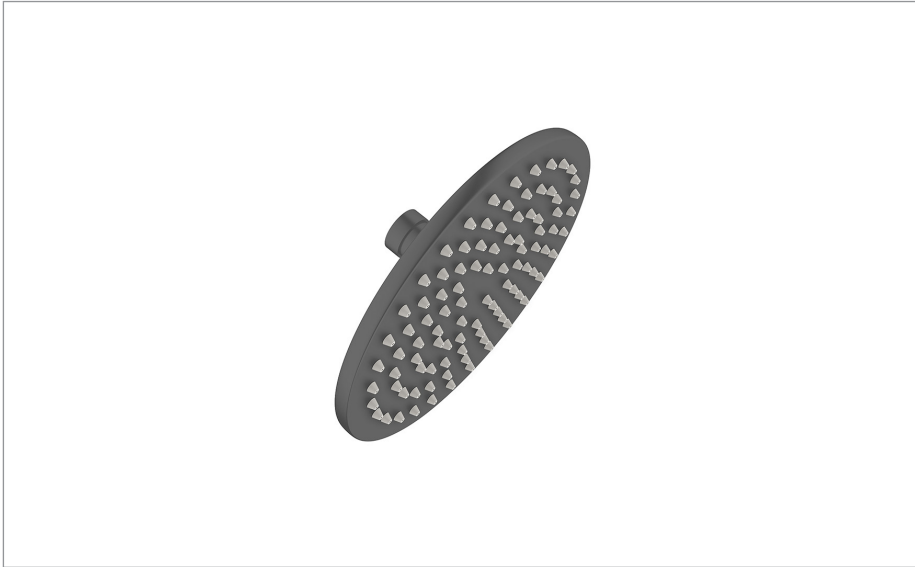


SPARES LIST

Only the parts labelled are available as spares.

NO SPARES AVAILABLE

PRODUCT DATA SHEET



PRODUCT CODE

PRO200T

RANGE

MPRO

DESCRIPTION

MPRO 200mm Fixed Head Slate

| | |
|----------------------------|------------------------------|
| CATEGORY | Brassware |
| WARRANTY DETAILS | 15 Years |
| COLOUR | Slate |
| FINISH APPLICATION | PVD |
| PRIMARY MATERIAL | Brass |
| INSTALL TYPE | Wall Mounted/Ceiling Mounted |
| PRODUCT WIDTH MM | 200 |
| PRODUCT HEIGHT MM | 58 |
| PRODUCT LENGTH MM | 200 |
| PRODUCT NET WEIGHT KG | 0.9 |
| MINIMUM PRESSURE (BAR) | 0.5 |
| MAX WORKING PRESSURE (BAR) | 5 |

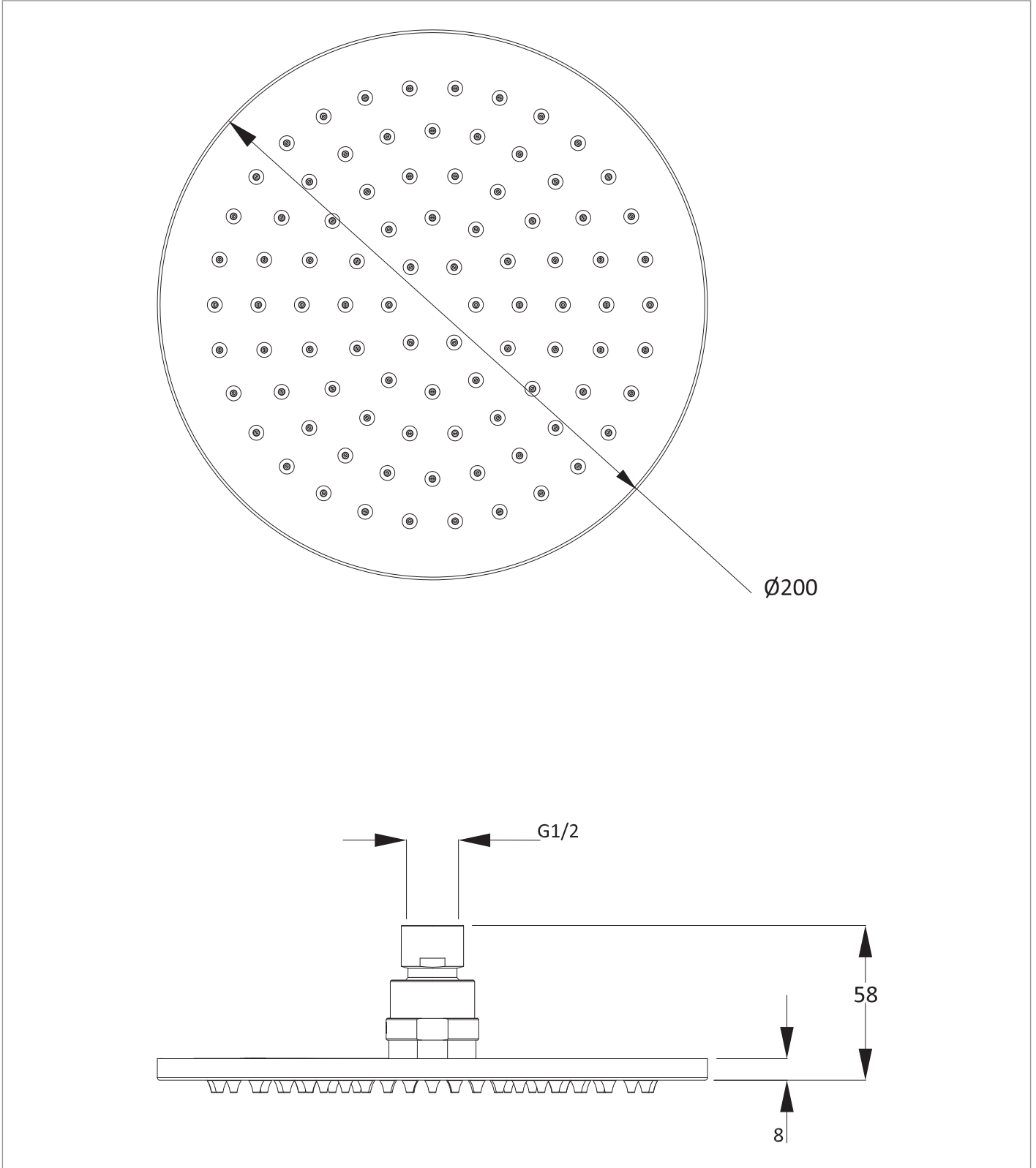
| | |
|--------------------------|---------------|
| APPROVAL | KIWA -2312748 |
| NUMBER OF OUTLETS | 1 |
| NUMBER OF FUNCTIONS | 1 |
| SWIVEL SPOUT | No |
| INLET CONNECTIONS THREAD | G1/2" |
| WASTE INCLUDED | No |
| ANTI-SCALD | No |
| ENERGY SAVING | No |

| PRESSURE (BAR) | 0.2 | 0.5 | 1 | 2 | 3 | 4 | 5 |
|---------------------|-------|-------|-------|-------|-------|-------|-------|
| PRIMARY FLOWRATE | 11.16 | 12.75 | 16.48 | 23.31 | 26.58 | 31.36 | 35.39 |
| HANDSET FLOWRATE | | | | | | | |
| MESSAGE FLOW RATE | | | | | | | |
| AIR FLOW RATE | | | | | | | |
| WIRE FLOW RATE | | | | | | | |
| WATERFALL FLOW RATE | | | | | | | |
| MIST FLOW RATE | | | | | | | |
| HANDSPRAY FLOW RATE | | | | | | | |

TECHNICAL DIMENSIONS

Dimensions in mm unless otherwise specified.

Tolerances (per material type) apply.

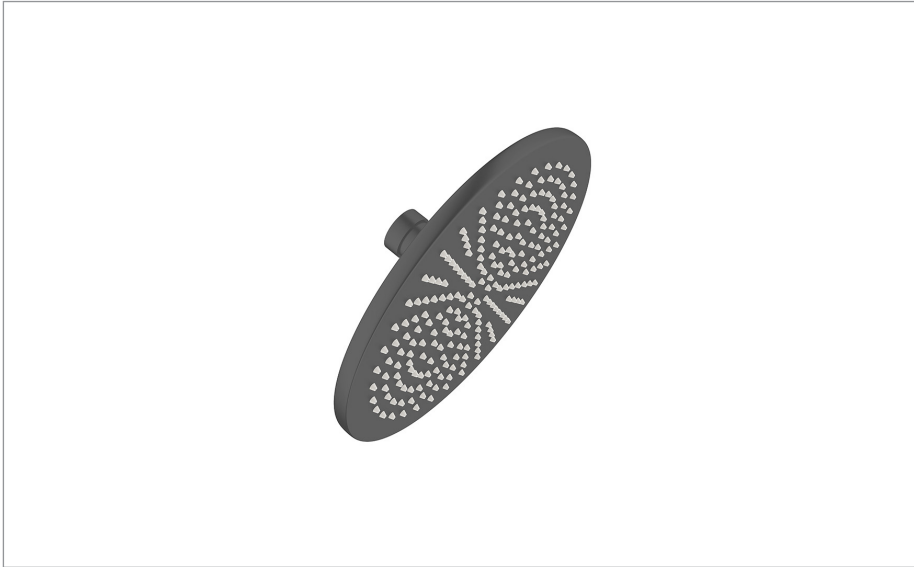


SPARES LIST

Only the parts labelled are available as spares.

NO SPARES AVAILABLE

PRODUCT DATA SHEET



PRODUCT CODE

PRO300T

RANGE

MPRO

DESCRIPTION

MPRO 300mm Fixed Head Slate

WEBSITE LINK

[Click Here](#)

| | |
|----------------------------|------------------------------|
| CATEGORY | Brassware |
| WARRANTY DETAILS | 15 Years |
| COLOUR | Slate |
| FINISH APPLICATION | PVD |
| PRIMARY MATERIAL | Brass |
| INSTALL TYPE | Wall Mounted/Ceiling Mounted |
| PRODUCT WIDTH MM | 300 |
| PRODUCT HEIGHT MM | 58 |
| PRODUCT LENGTH MM | 300 |
| PRODUCT DEPTH MM | 300 |
| PRODUCT NET WEIGHT KG | 2.4 |
| MINIMUM PRESSURE (BAR) | 0.5 |
| MAX WORKING PRESSURE (BAR) | 5 |

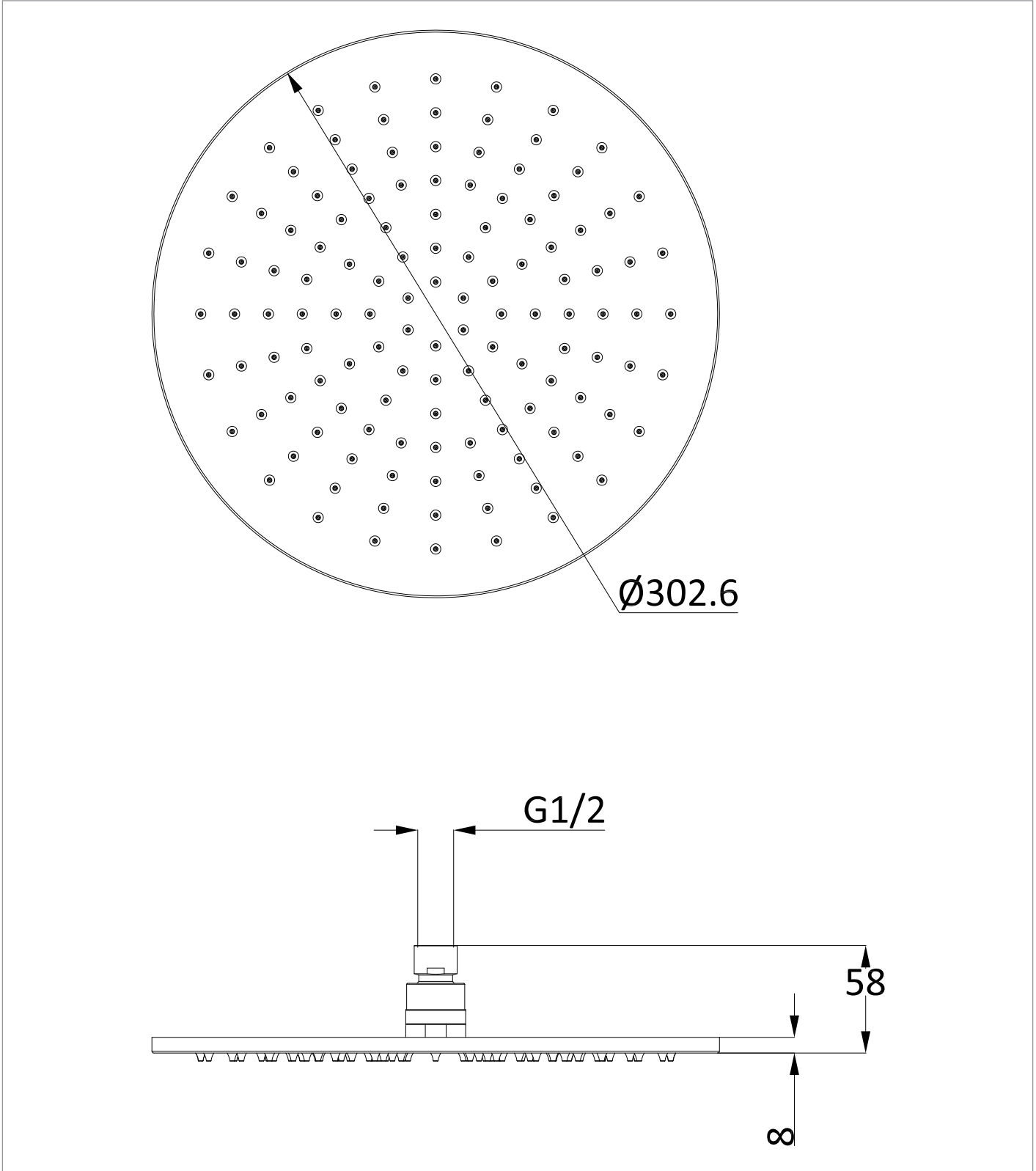
| | |
|--------------------------|----------------|
| APPROVAL | KIWA - 2312748 |
| NUMBER OF OUTLETS | 1 |
| NUMBER OF FUNCTIONS | 1 |
| INLET CONNECTIONS THREAD | G1/2" |
| WASTE INCLUDED | No |
| ANTI-SCALD | No |
| ENERGY SAVING | No |

| PRESSURE (BAR) | 0.2 | 0.5 | 1 | 2 | 3 | 4 | 5 |
|---------------------|-----|-------|------|-------|-------|-------|-------|
| PRIMARY FLOWRATE | | 12.91 | 16.7 | 22.02 | 24.07 | 27.87 | 31.13 |
| HANDSET FLOWRATE | | | | | | | |
| MESSAGE FLOW RATE | | | | | | | |
| AIR FLOW RATE | | | | | | | |
| WIRE FLOW RATE | | | | | | | |
| WATERFALL FLOW RATE | | | | | | | |
| MIST FLOW RATE | | | | | | | |
| HANDSPRAY FLOW RATE | | | | | | | |

TECHNICAL DIMENSIONS

Dimensions in mm unless otherwise specified.

Tolerances (per material type) apply.



SPARES LIST

Only the parts labelled are available as spares.

NO SPARES AVAILABLE