

# PRODUCT DATA SHEET



## PRODUCT CODE

WCC46X39R

## RANGE

Toilet Cisterns

## DESCRIPTION

Dual Flush Concealed Cistern (with discharge pipe & installation kit)

## WEBSITE LINK

[Click Here](#)

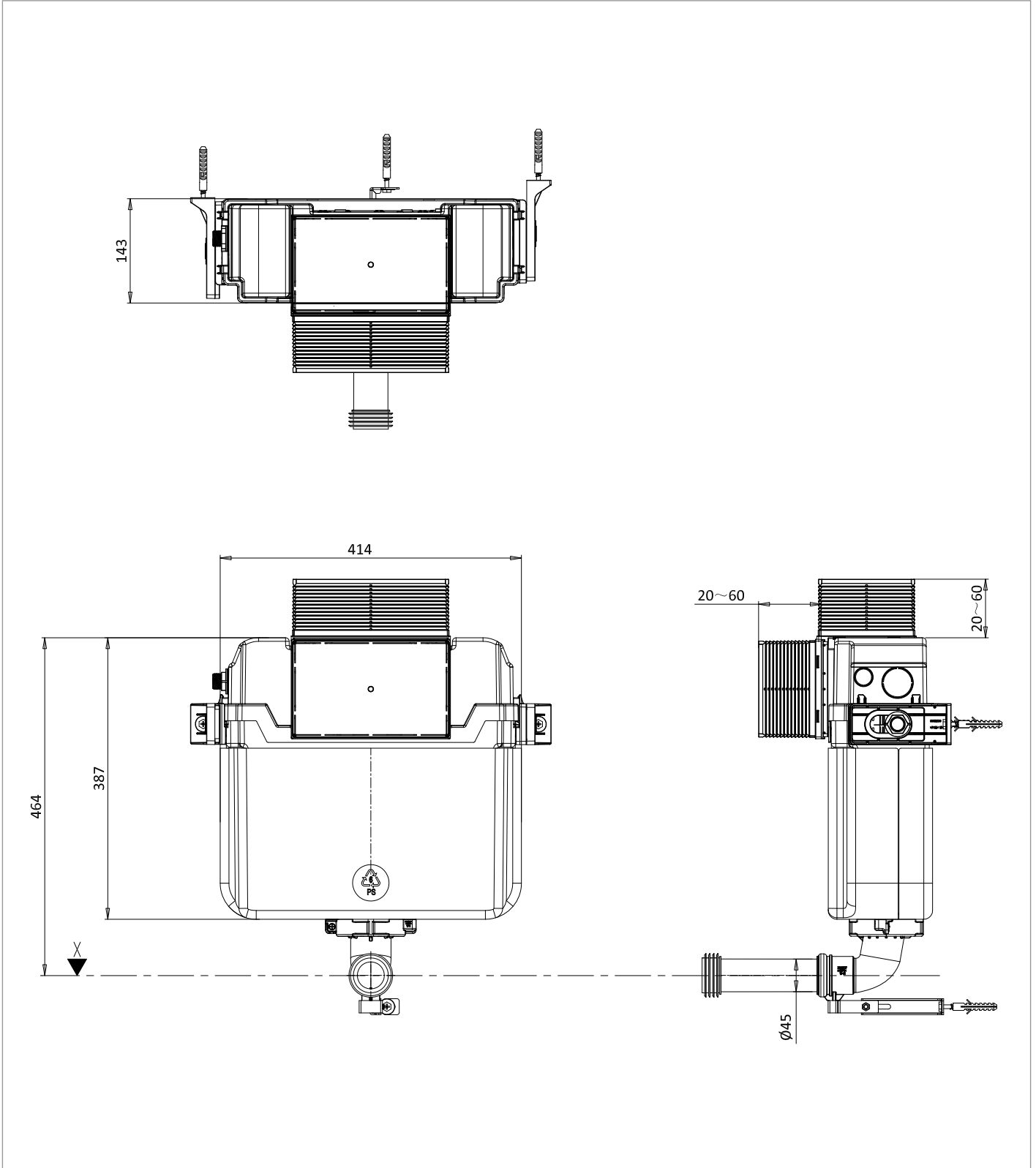
CATEGORY	Sanitaryware
WARRANTY DETAILS	5 Years
PRIMARY MATERIAL	Plastic
INSTALL TYPE	Wall Mounted
PRODUCT WIDTH MM	414
PRODUCT HEIGHT MM	387
PRODUCT LENGTH MM	143
PRODUCT NET WEIGHT KG	2.93

STANDARDS	BS EN 14055:2018
APPROVAL	WRAS - 2303396
FIXINGS INCLUDED	Yes
FLUSH VOLUME	6/4L
FIXING TYPE	Wall Mounted fixing
CISTERN FLUSH MECHANISM	Dual Flush with Mechanical Flush Plate
NOISE CLASS	Group I

## TECHNICAL DIMENSIONS

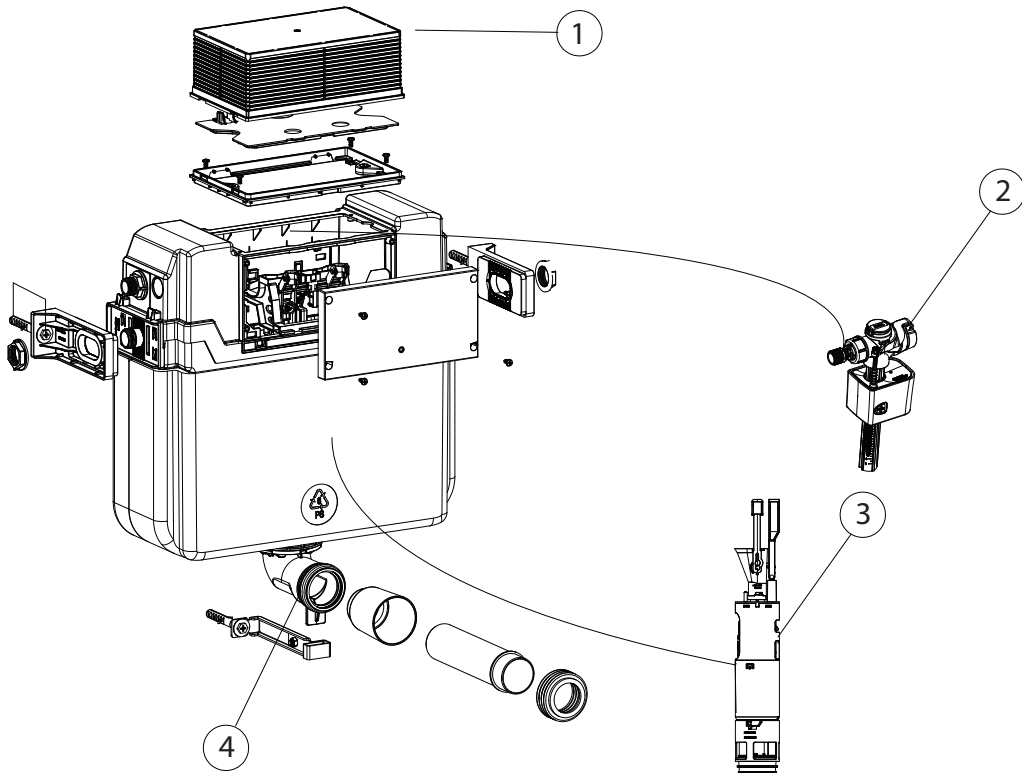
Dimensions in mm unless otherwise specified.

Tolerances (per material type) apply.



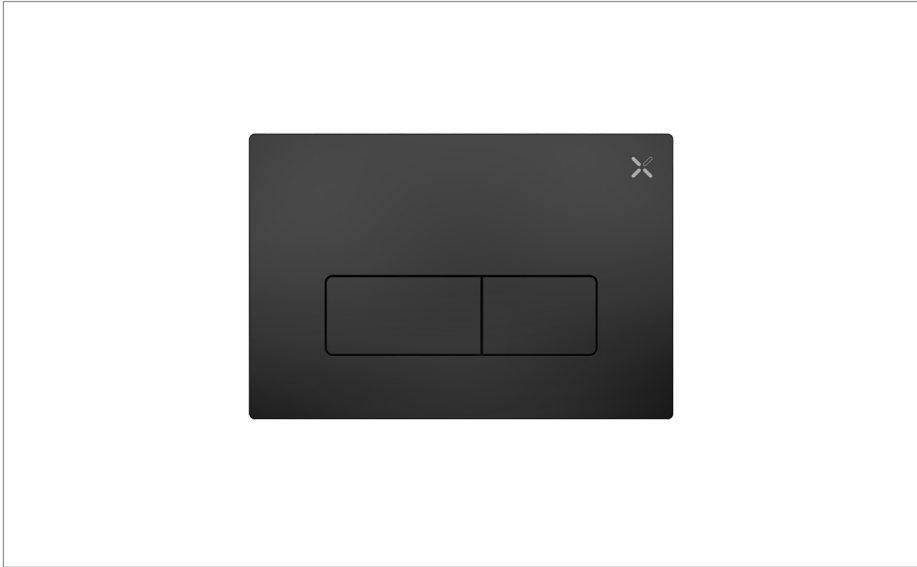
## SPARES LIST

Only the parts labelled are available as spares.



NUMBER	PART CODE	DESCRIPTION
1	CWSP008	Flush plate mounting assembly for WCC46X39R/WCF80X45R/WCF98X45R
2	CWSP020	Replacement fill valve for WCC46X39R/WCF80X45R/WCF98X45R
3	CWSP024	Replacement flush valve for WCC46X39R/WCF80X45R/WCF98X45R
4	CWSP028	Replacement waste pipe for concealed frames

# PRODUCT DATA SHEET



## PRODUCT CODE

MPROFLUSHB

## RANGE

MPRO

## DESCRIPTION

MPRO Flush Plate Matt Black

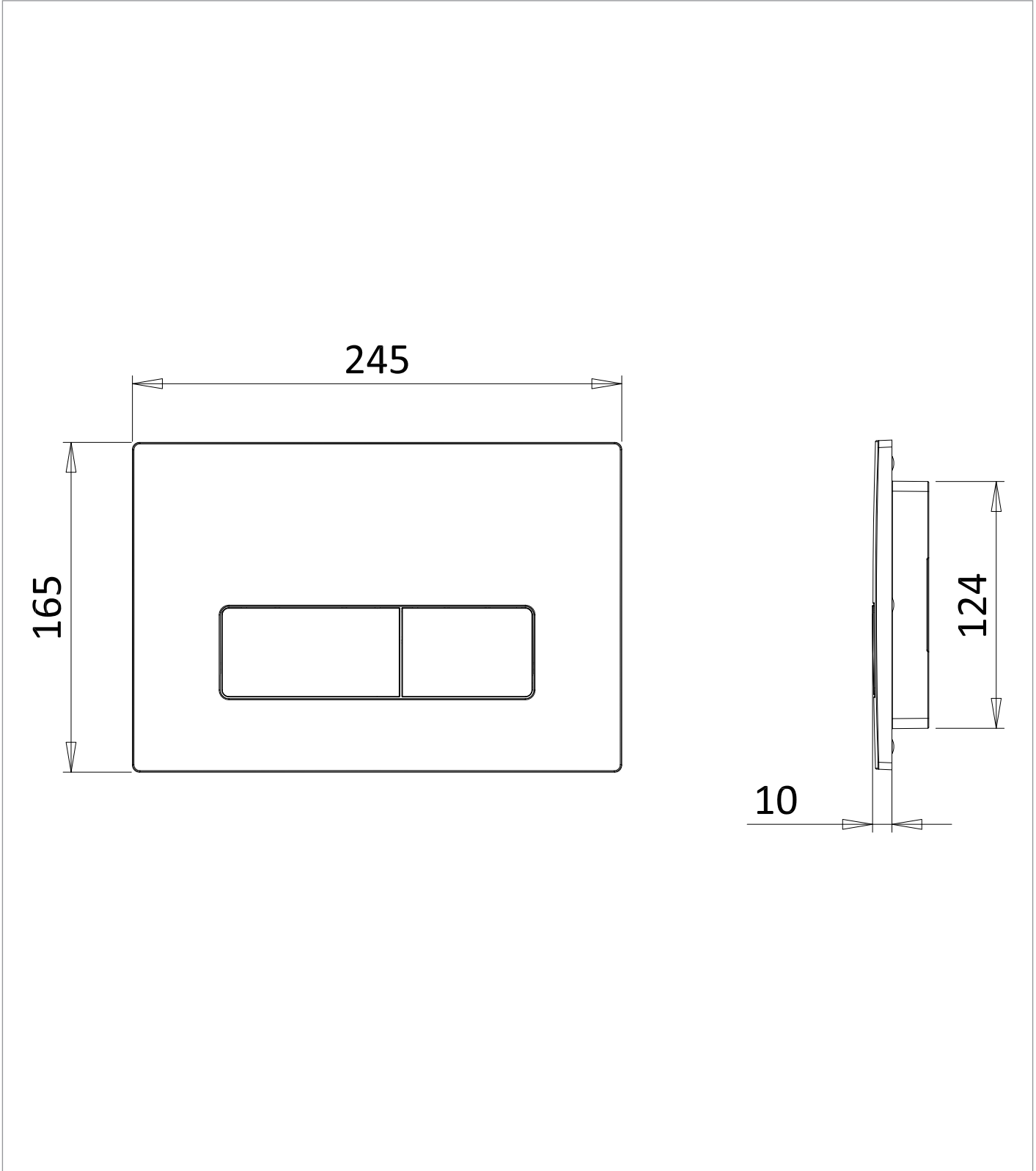
CATEGORY	Sanitaryware
WARRANTY DETAILS	2 Years
COLOUR	Matt Black
FINISH APPLICATION	Lacquered
PRIMARY MATERIAL	ABS
INSTALL TYPE	Wall Mounted
PRODUCT WIDTH MM	245.3
PRODUCT HEIGHT MM	28.2
PRODUCT LENGTH MM	165.3
PRODUCT NET WEIGHT KG	0.33

FIXINGS INCLUDED	Yes
CISTERN FLUSH MECHANISM	Dual Flush Mechanical

## TECHNICAL DIMENSIONS

Dimensions in mm unless otherwise specified.

Tolerances (per material type) apply.



## SPARES LIST

Only the parts labelled are available as spares.

NO SPARES AVAILABLE