

PRODUCT DATA SHEET



PRODUCT CODE

WCC46X39R

RANGE

Toilet Cisterns

DESCRIPTION

Dual Flush Concealed Cistern (with discharge pipe & installation kit)

WEBSITE LINK

[Click Here](#)

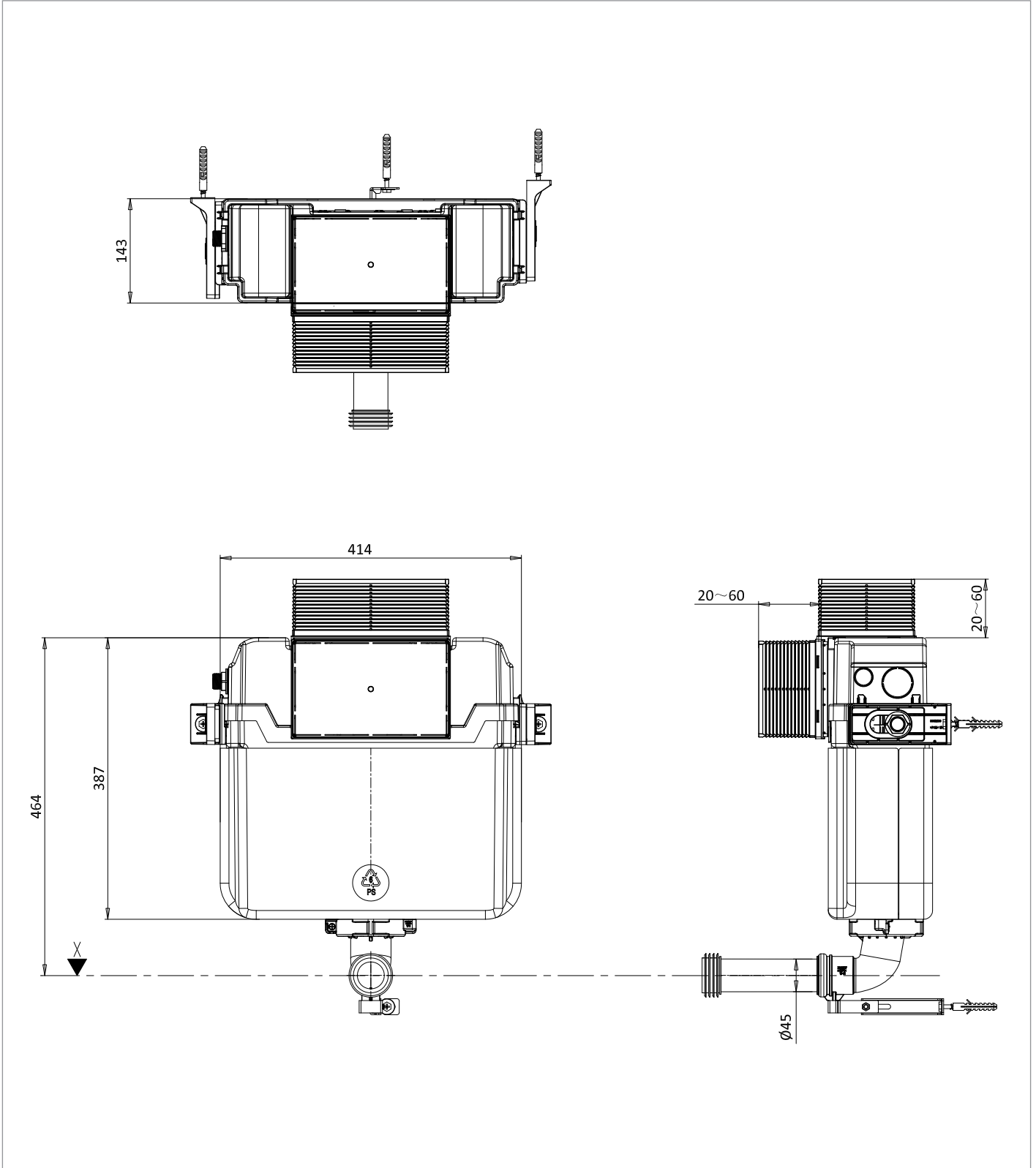
CATEGORY	Sanitaryware
WARRANTY DETAILS	5 Years
PRIMARY MATERIAL	Plastic
INSTALL TYPE	Wall Mounted
PRODUCT WIDTH MM	414
PRODUCT HEIGHT MM	387
PRODUCT LENGTH MM	143
PRODUCT NET WEIGHT KG	2.93

STANDARDS	BS EN 14055:2018
APPROVAL	WRAS - 2303396
FIXINGS INCLUDED	Yes
FLUSH VOLUME	6/4L
FIXING TYPE	Wall Mounted fixing
CISTERN FLUSH MECHANISM	Dual Flush with Mechanical Flush Plate
NOISE CLASS	Group I

TECHNICAL DIMENSIONS

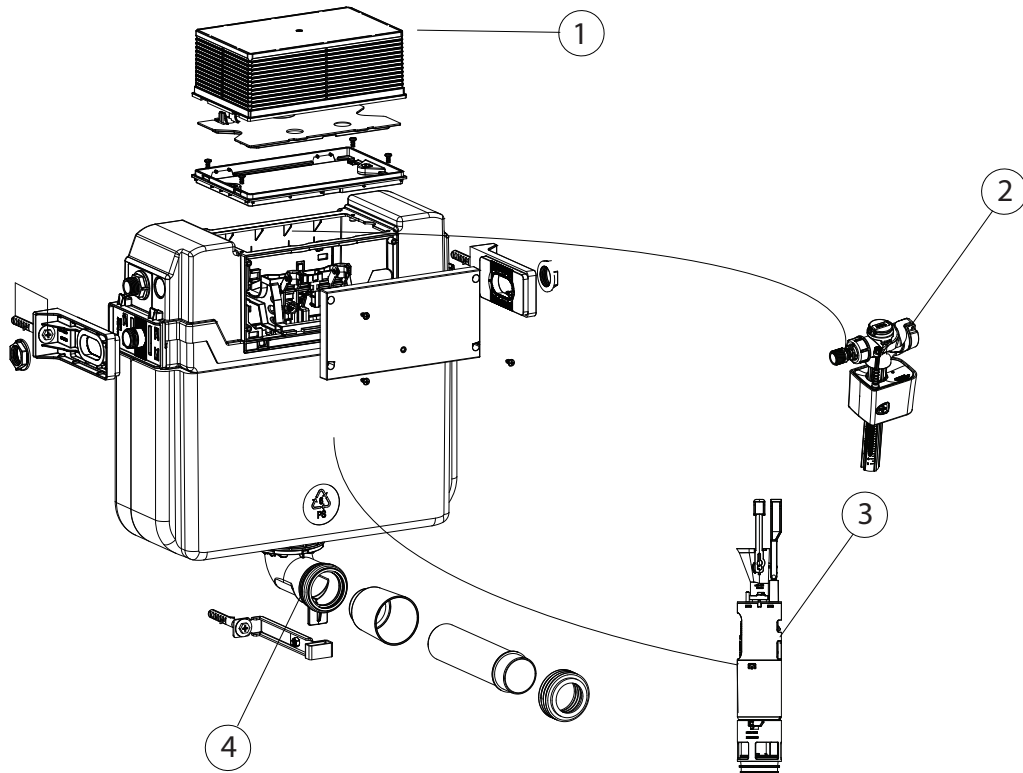
Dimensions in mm unless otherwise specified.

Tolerances (per material type) apply.



SPARES LIST

Only the parts labelled are available as spares.



NUMBER	PART CODE	DESCRIPTION
1	CWSP008	Flush plate mounting assembly for WCC46X39R/WCF80X45R/WCF98X45R
2	CWSP020	Replacement fill valve for WCC46X39R/WCF80X45R/WCF98X45R
3	CWSP024	Replacement flush valve for WCC46X39R/WCF80X45R/WCF98X45R
4	CWSP028	Replacement waste pipe for concealed frames

PRODUCT DATA SHEET



PRODUCT CODE

BLFLUSHC

RANGE

Flush Plate

DESCRIPTION

Belgravia Traditional Flush Plate
Chrome

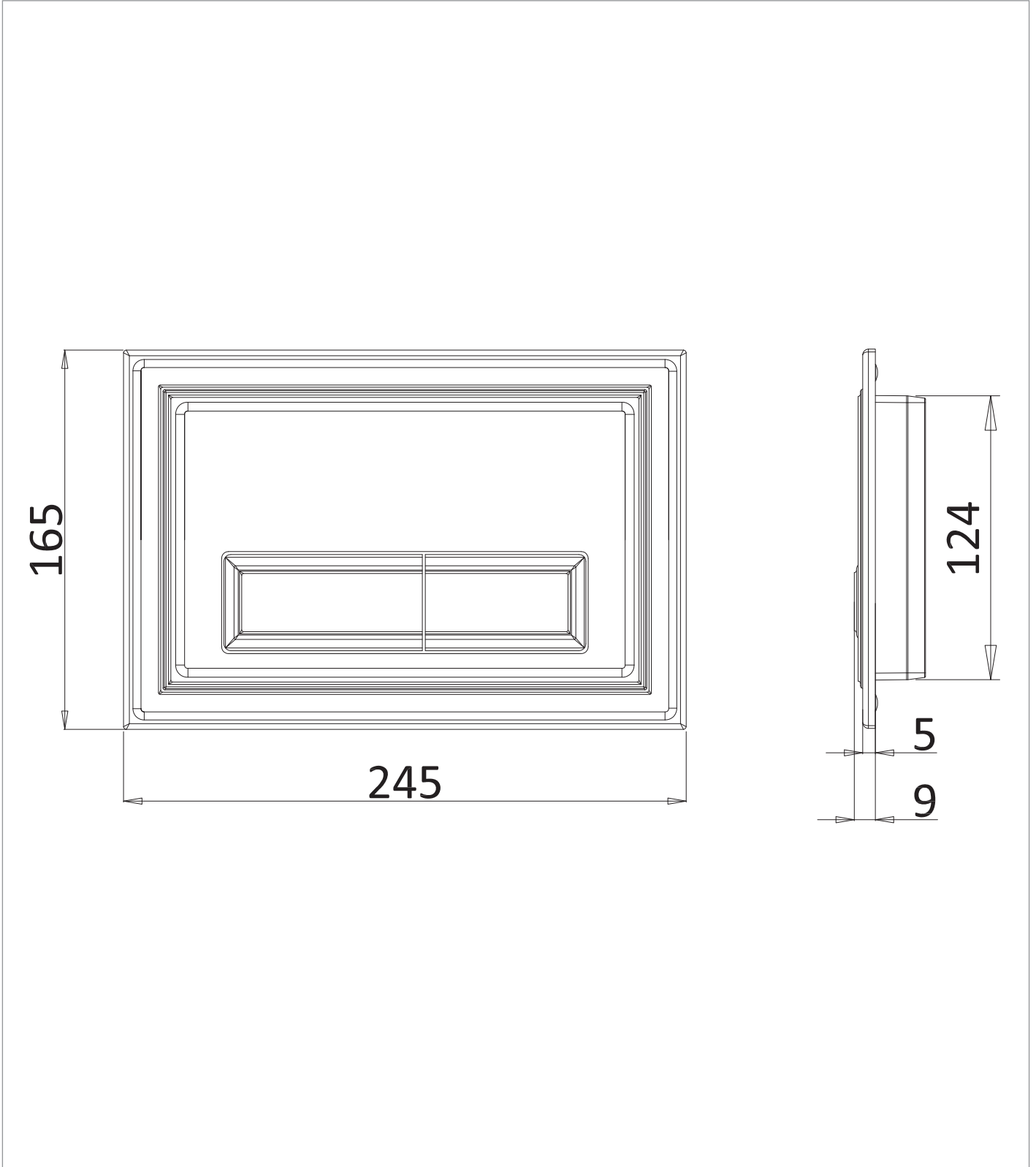
CATEGORY	Sanitaryware
WARRANTY DETAILS	5 Years
COLOUR	Chrome
FINISH APPLICATION	Electroplated
INSTALL TYPE	Wall Mounted
PRODUCT WIDTH MM	245
PRODUCT HEIGHT MM	165
PRODUCT LENGTH MM	9
PRODUCT NET WEIGHT KG	1.9

FIXINGS INCLUDED	Yes
------------------	-----

TECHNICAL DIMENSIONS

Dimensions in mm unless otherwise specified.

Tolerances (per material type) apply.



SPARES LIST

Only the parts labelled are available as spares.

NO SPARES AVAILABLE