

COMPLETION CONCEALED BOX

MOUNTING INSTRUCTIONS

Pressure range min/max 0,5/5 bar

(in case of water pressure higher than 5 bar we recommend installing pressure reducers).

Recommended pressure 3 bar.

Operation:

Either with gas or electric accumulation boilers.

Centralised systems.

The product should only be installed by a suitably qualified plumber/installer.

Safety lock at:	41° C
-----------------	-------

Min. Working temperature:	3° C
---------------------------	------

Min. recommended:	15° C
-------------------	-------

Max. Working temperature:	70° C
---------------------------	-------

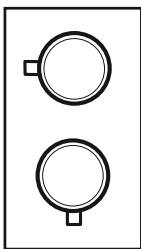
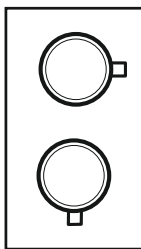
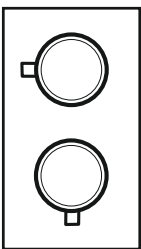
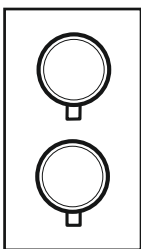
Max. recommended:	65° C
-------------------	-------

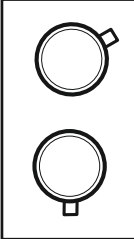
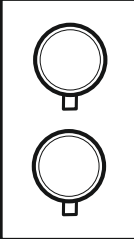
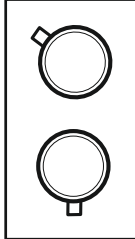
Recommended thermal differential	50° C
----------------------------------	-------

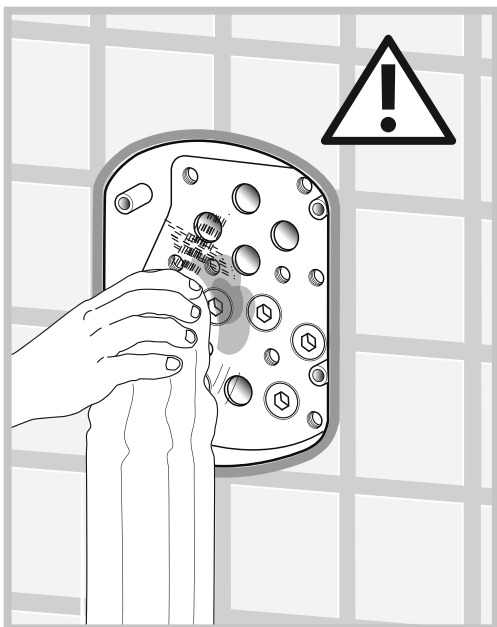
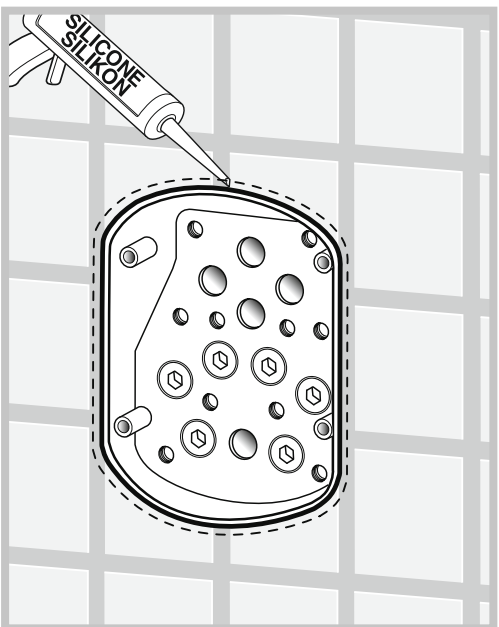
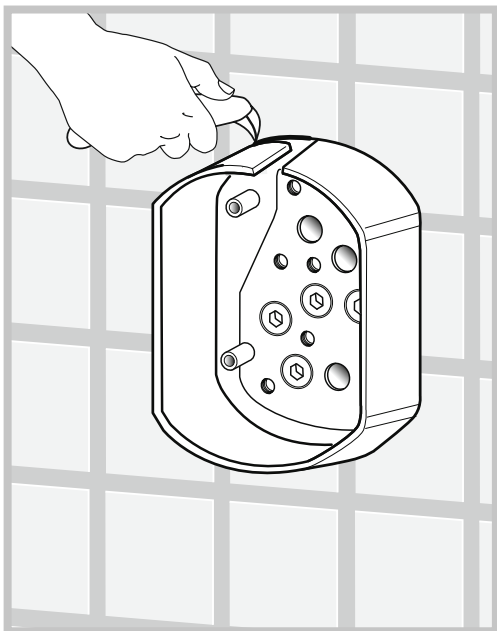
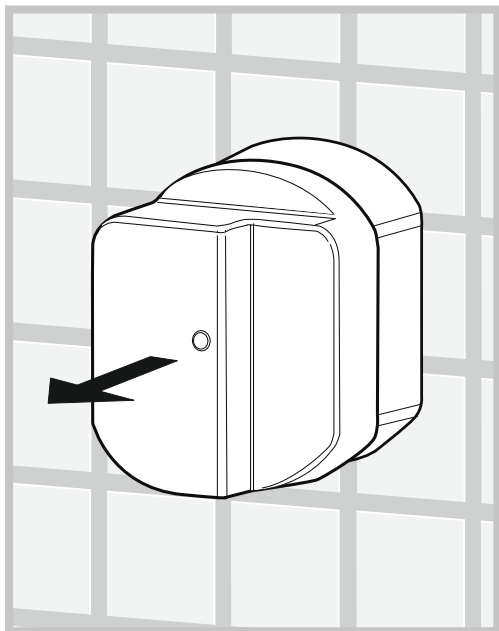
Thermal disinfection is allowed.

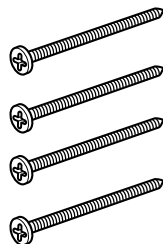
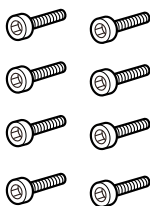
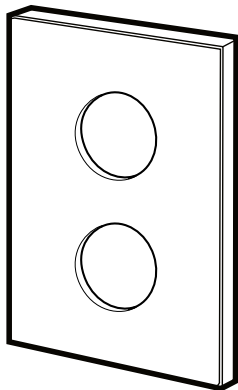
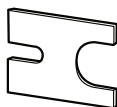
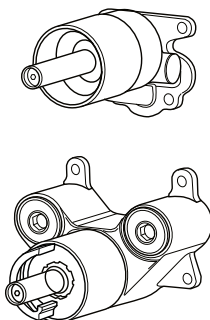
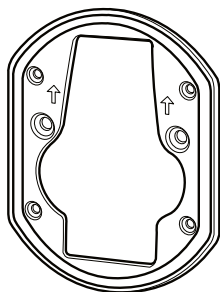
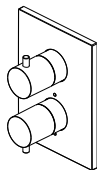
Safety system with flow stop in case of lack of one of the two waters.

Warning: contact the plumber for the choice of the best water heating device.

Press.	FLOW RATE (L/min)			
	Term. 1 way	Term. 2 way		
				
bar	Exit 1/2/3	Exit 2	Exit 3	Mix
0,5	8,2	8,2	8,2	9,2
1	11,7	11,7	11,7	13,2
2	16,7	16,4	16,4	18,7
3	20,7	20	20	22,9
4	24	23	23	26,4
5	26,6	25,8	25,8	29,5

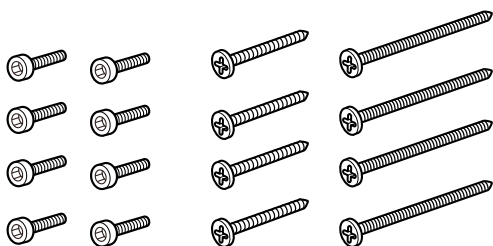
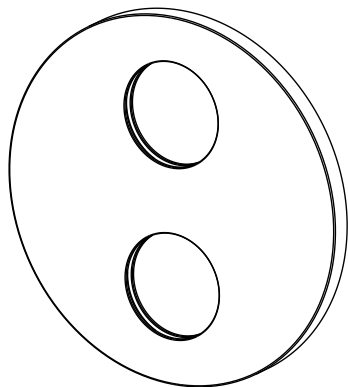
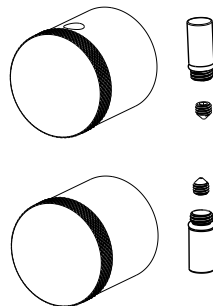
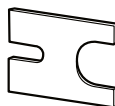
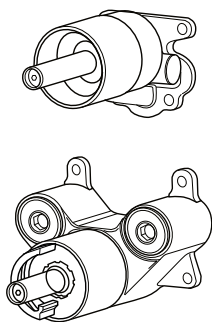
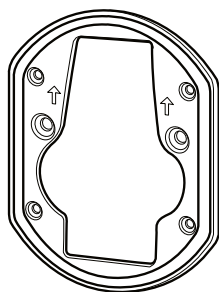
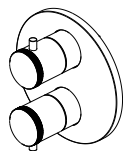
Press.	FLOW RATE (L/min)		
	Term. 3 ways		
			
bar	Exit 1	Exit 2	Exit 3
0,5	9,4	8,1	8,1
1	13,4	11,6	11,6
2	19,2	16,6	16,6
3	23,7	20,5	20,5
4	27,4	23,8	23,8
5	30,5	26,6	26,6





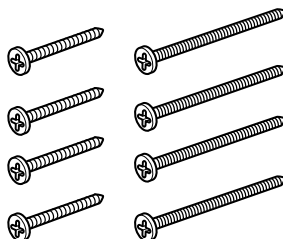
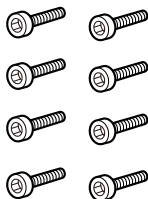
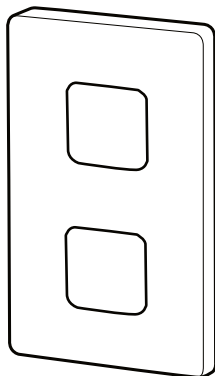
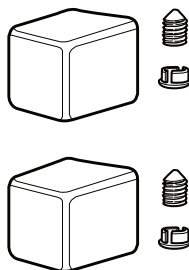
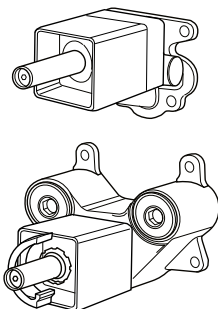
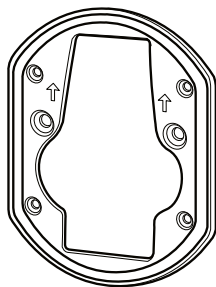
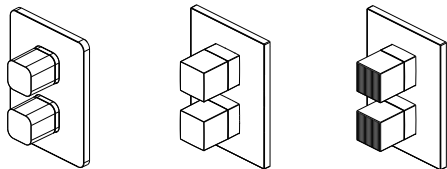
GB Mounting Instructions





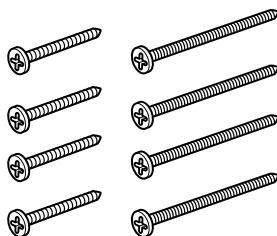
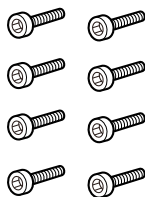
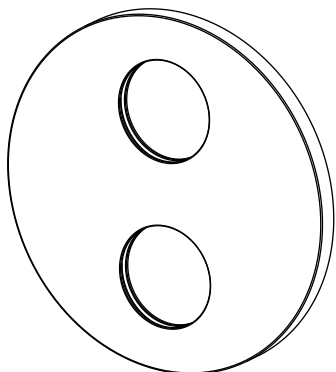
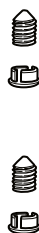
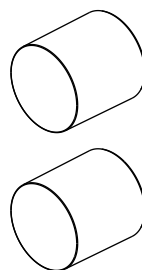
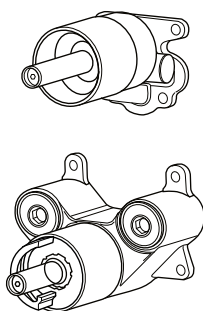
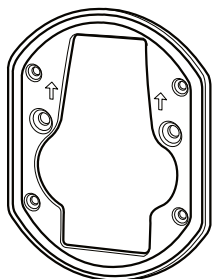
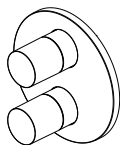
GB Mounting Instructions





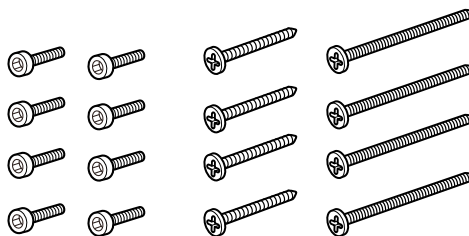
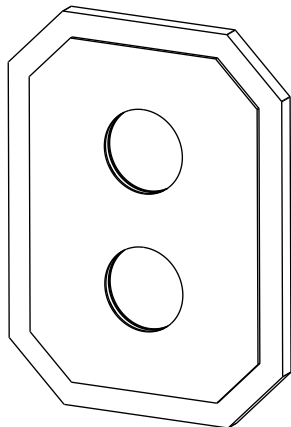
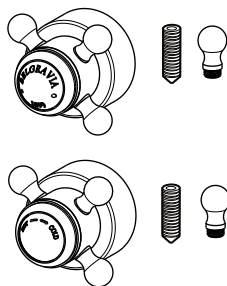
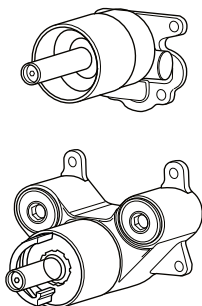
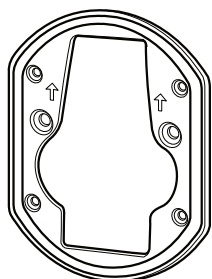
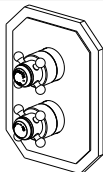
GB Mounting Instructions





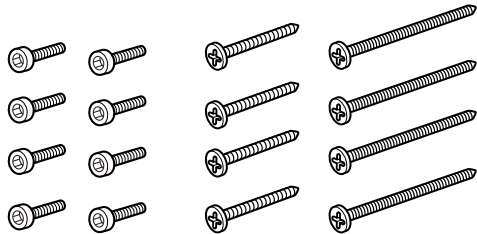
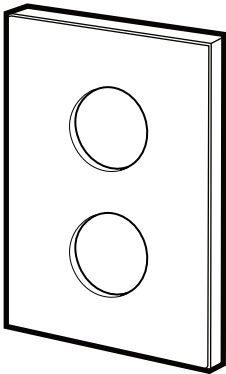
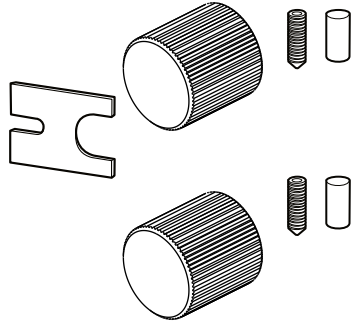
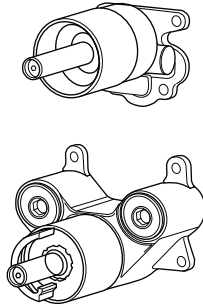
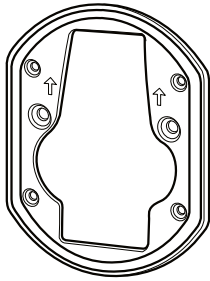
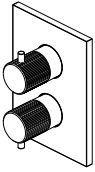
GB Mounting Instructions





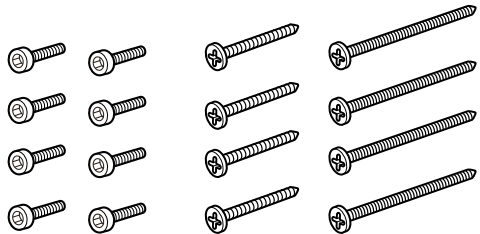
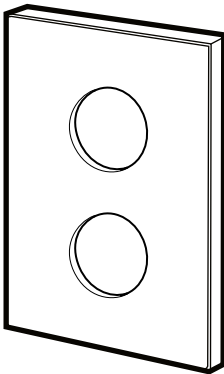
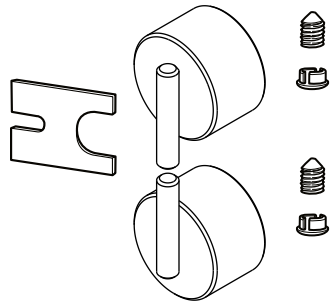
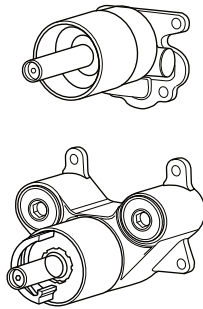
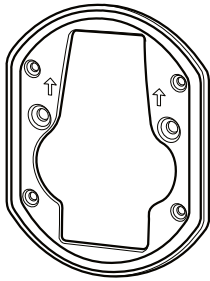
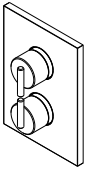
GB Mounting Instructions





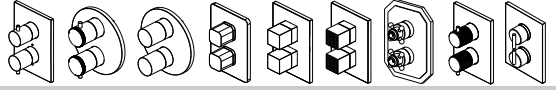
GB Mounting Instructions



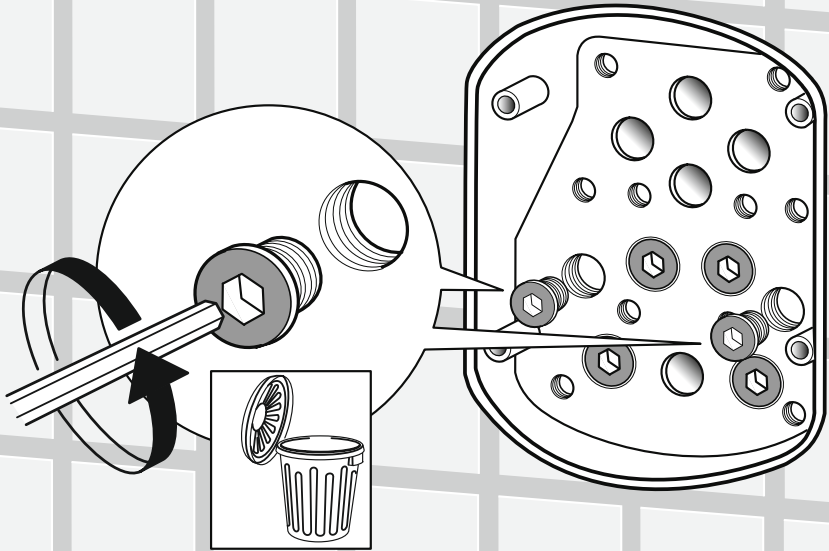


GB Mounting Instructions

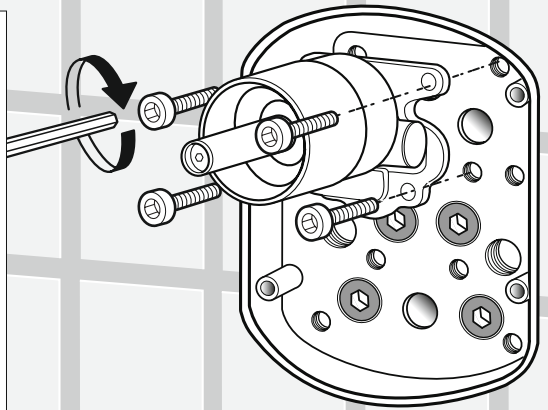
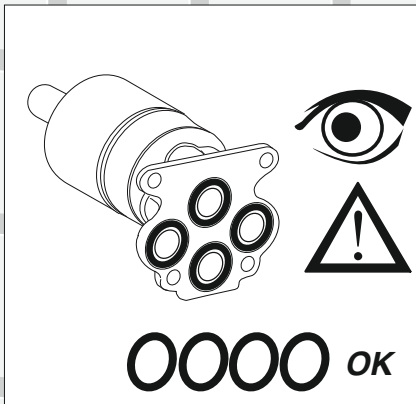




1

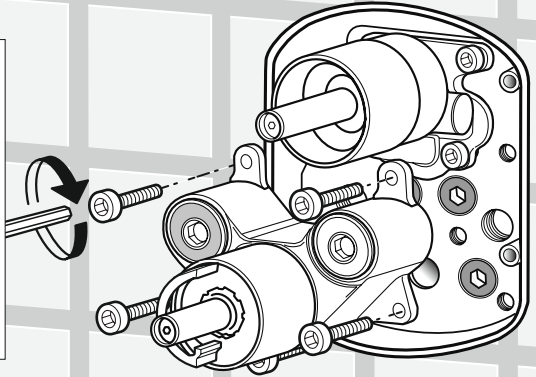
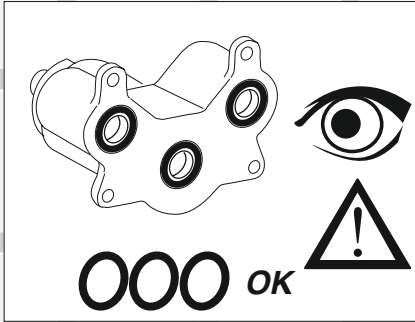


2

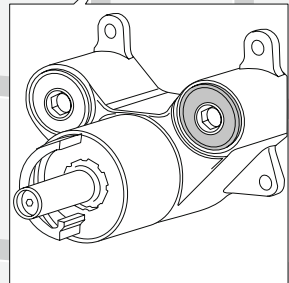
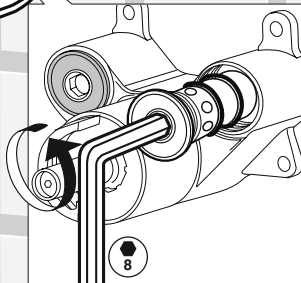
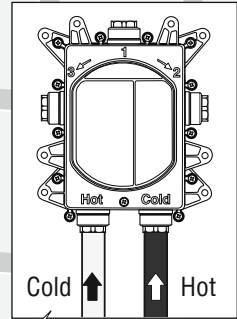
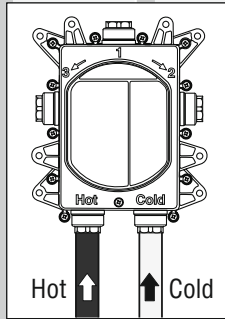
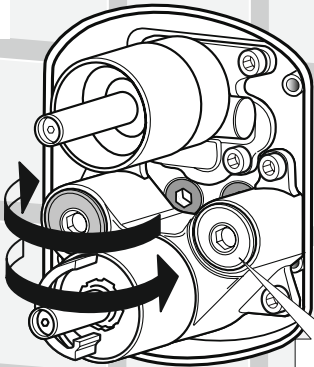




3

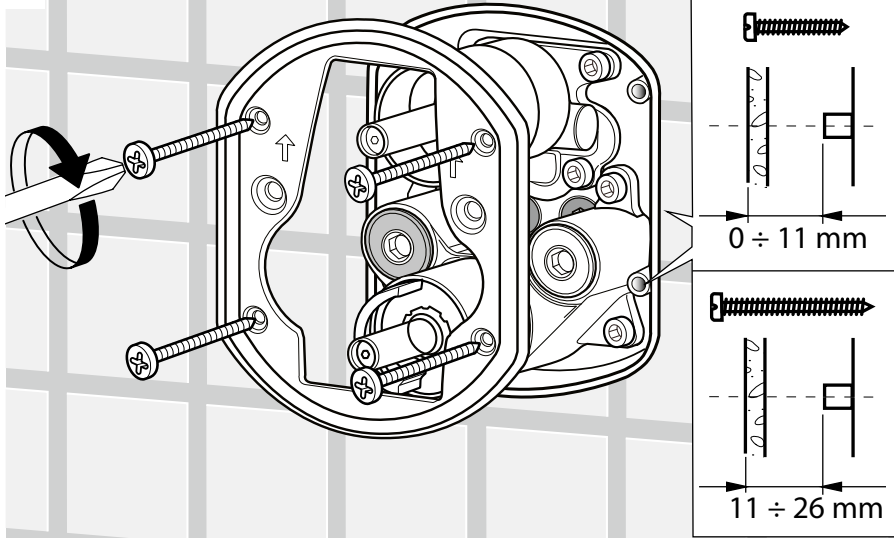


4

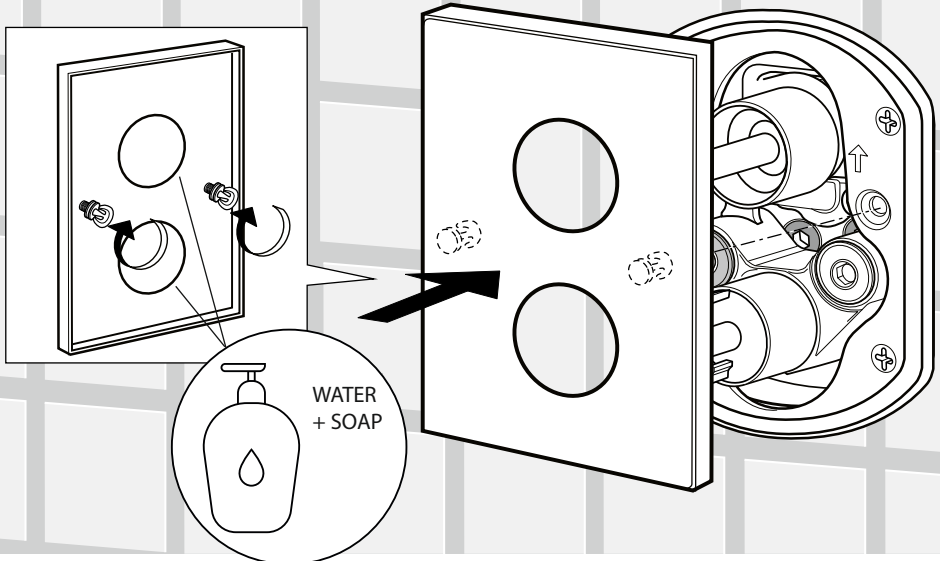




5

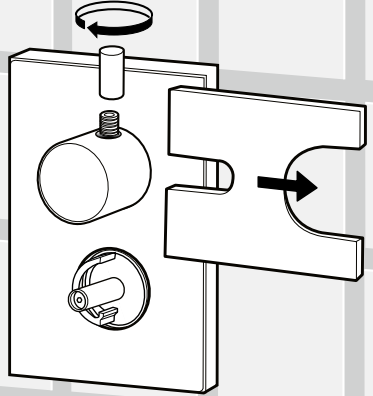
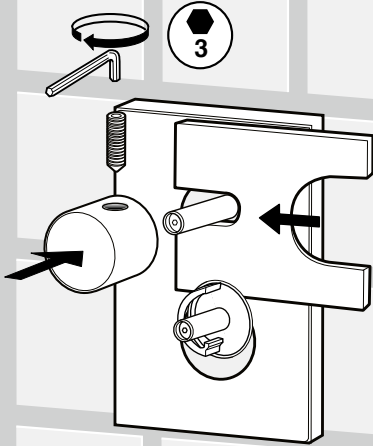


6A

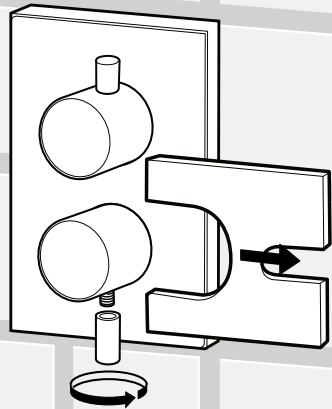
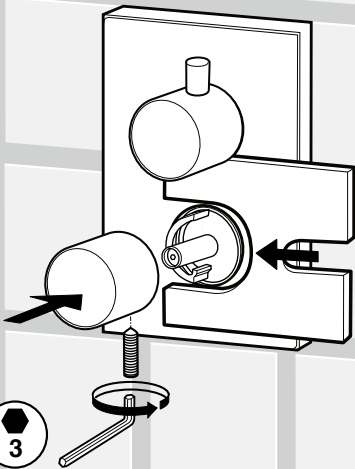




7A

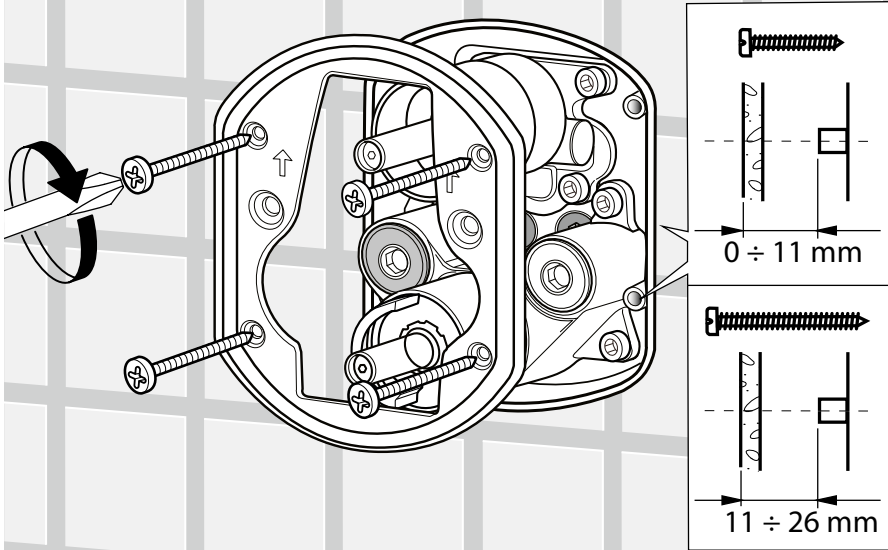


8A

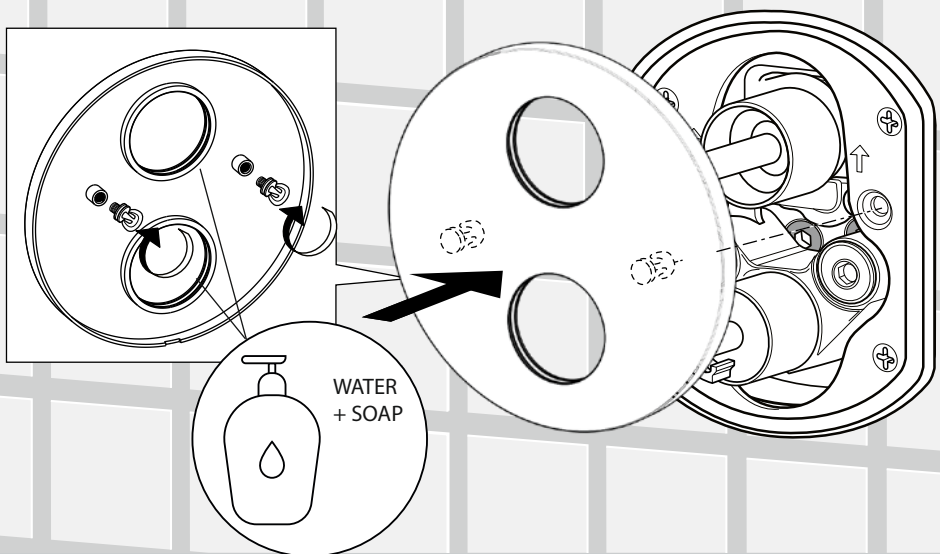




5

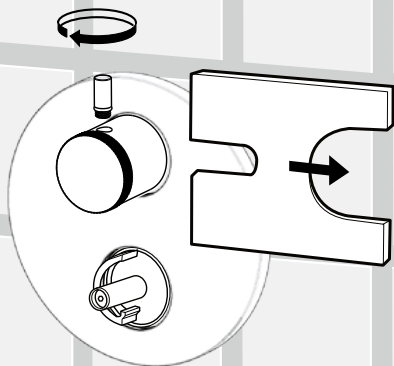
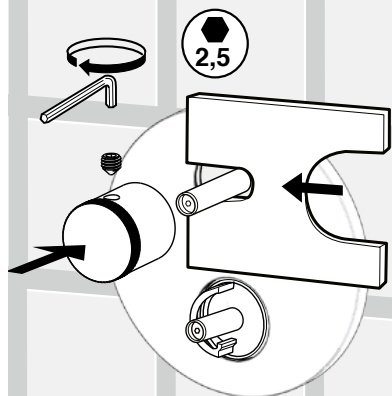


6B

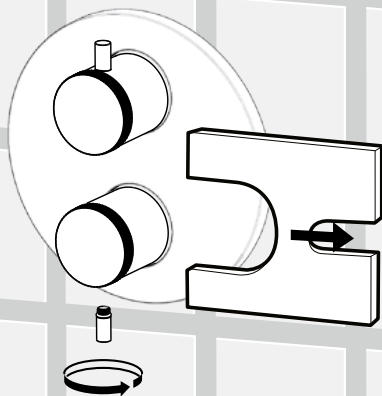
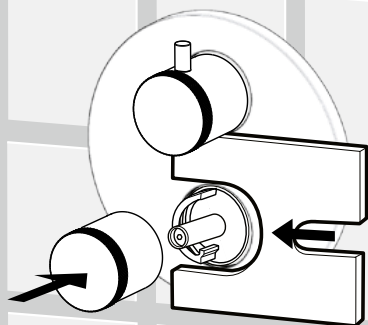




7B



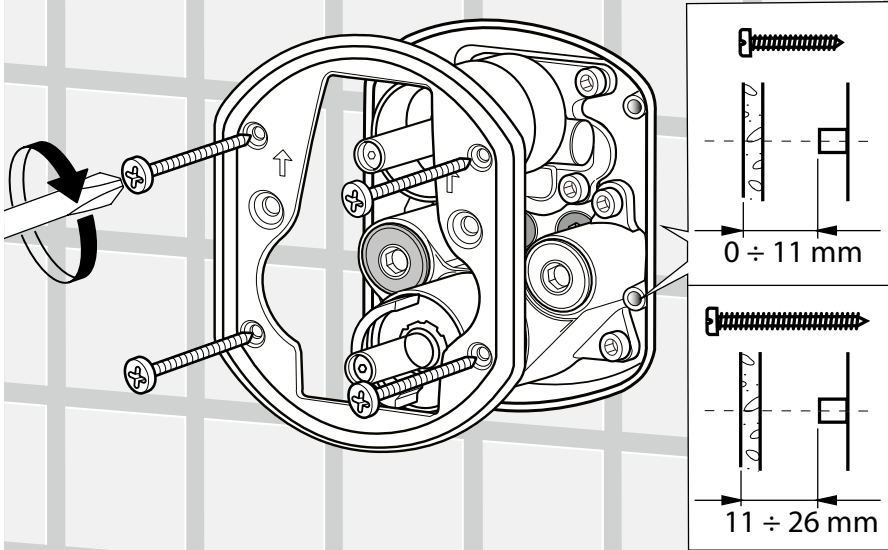
8B



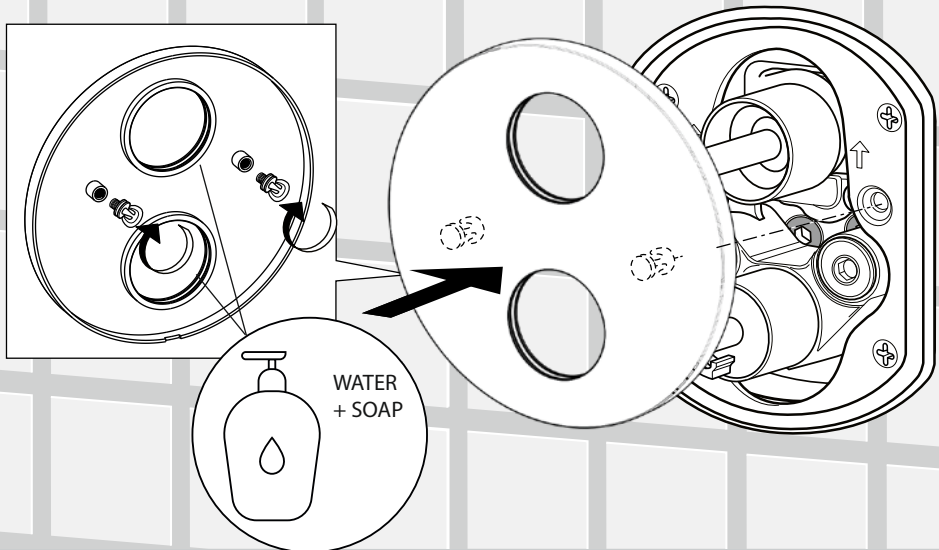
2,5



5

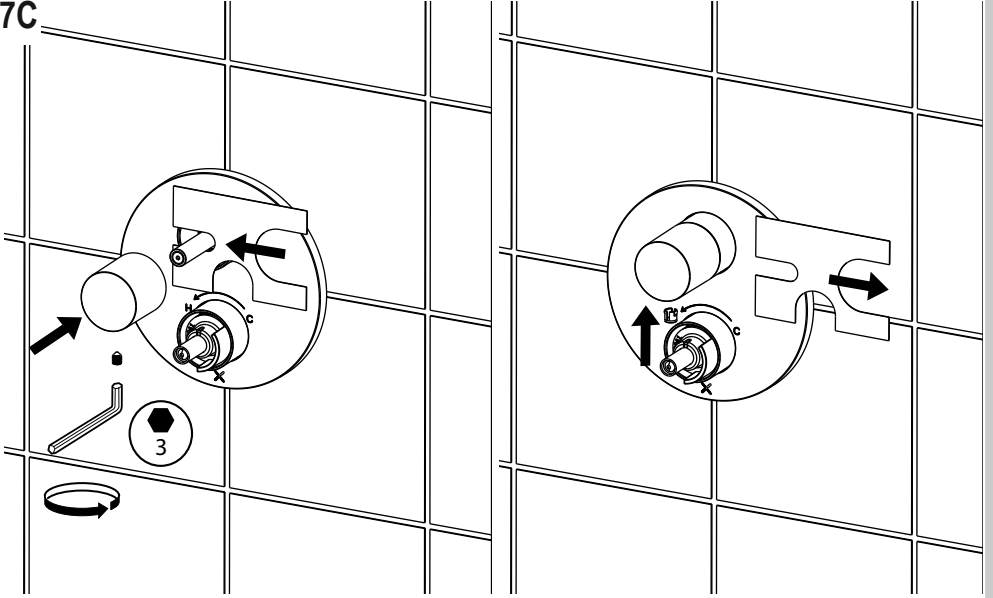


6C

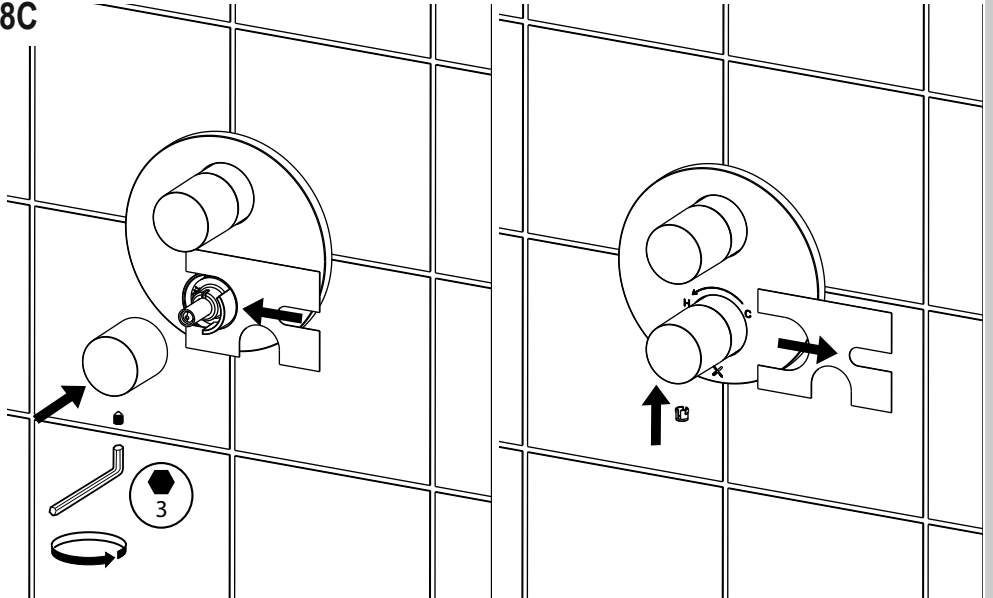




7C

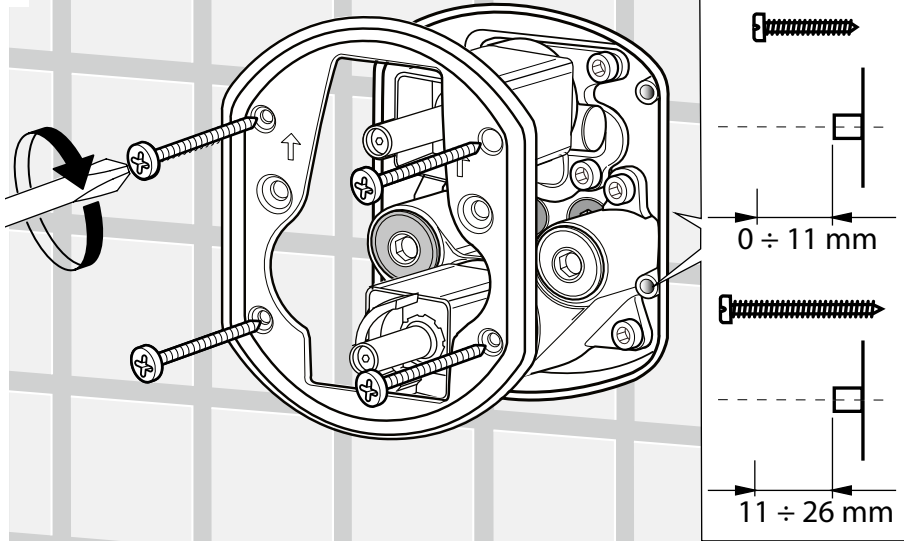


8C

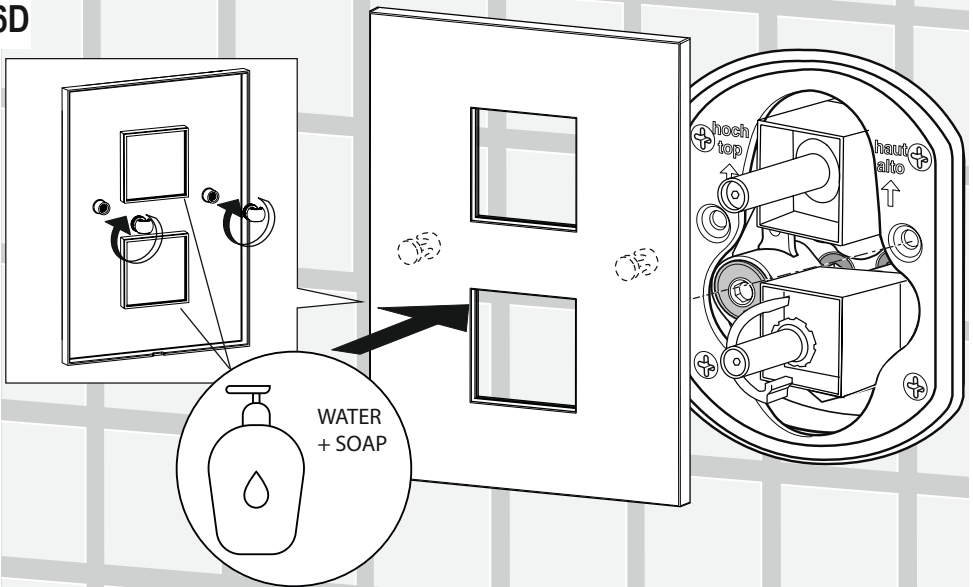




5

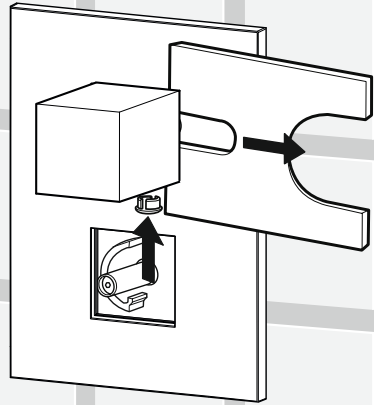
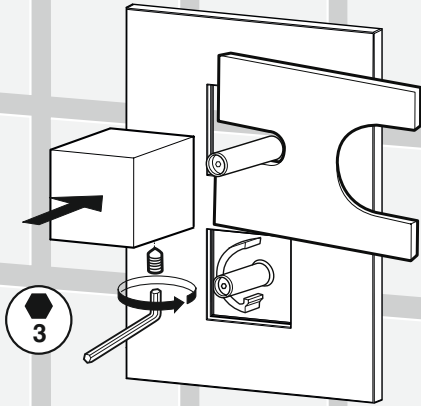


6D

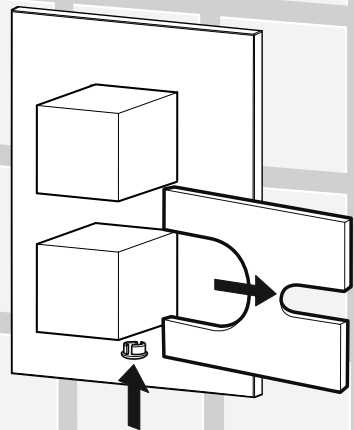
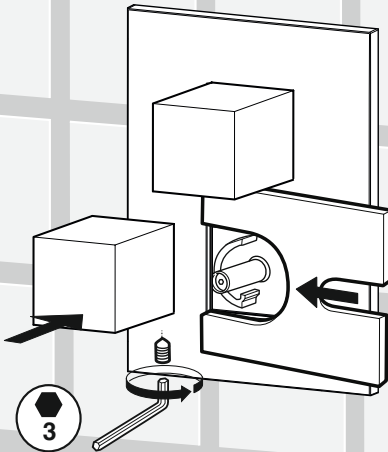




7D

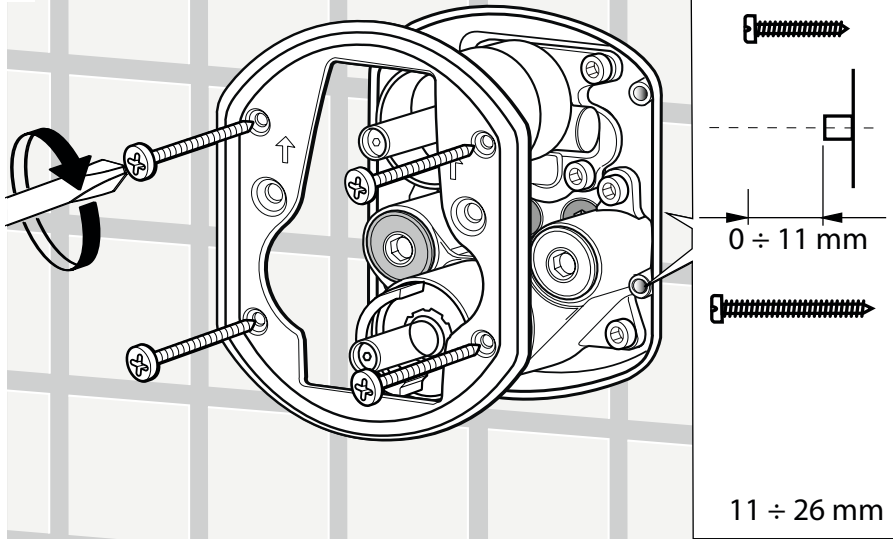


8D

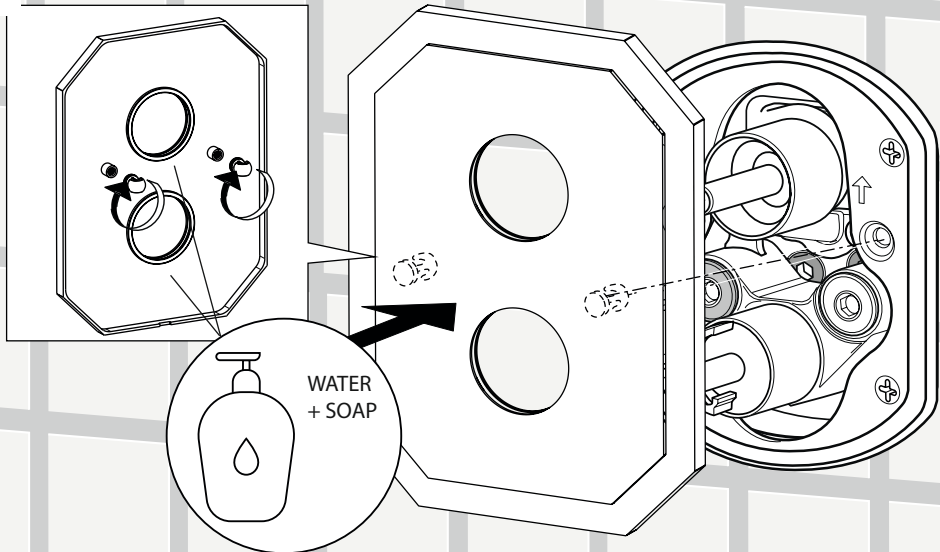




5

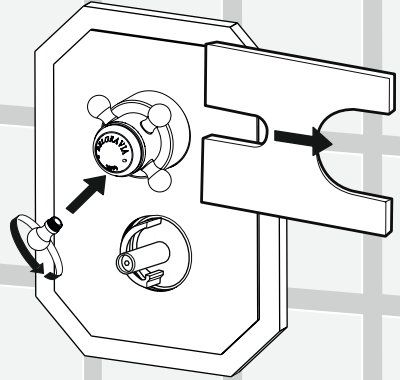
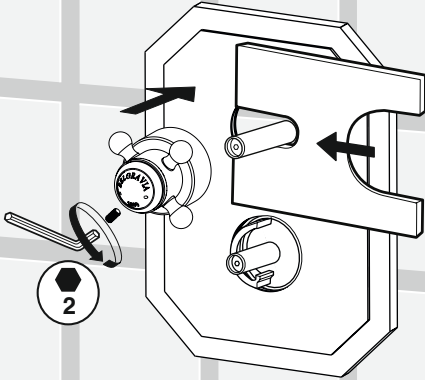


6E

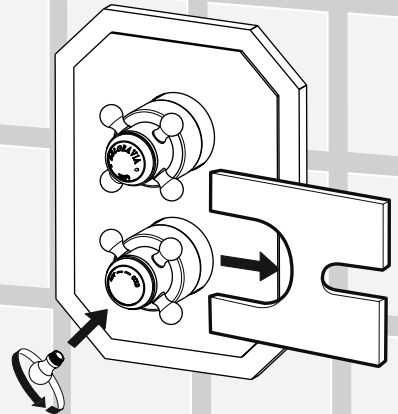
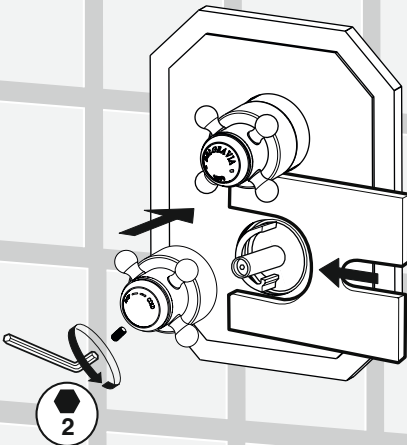




7E

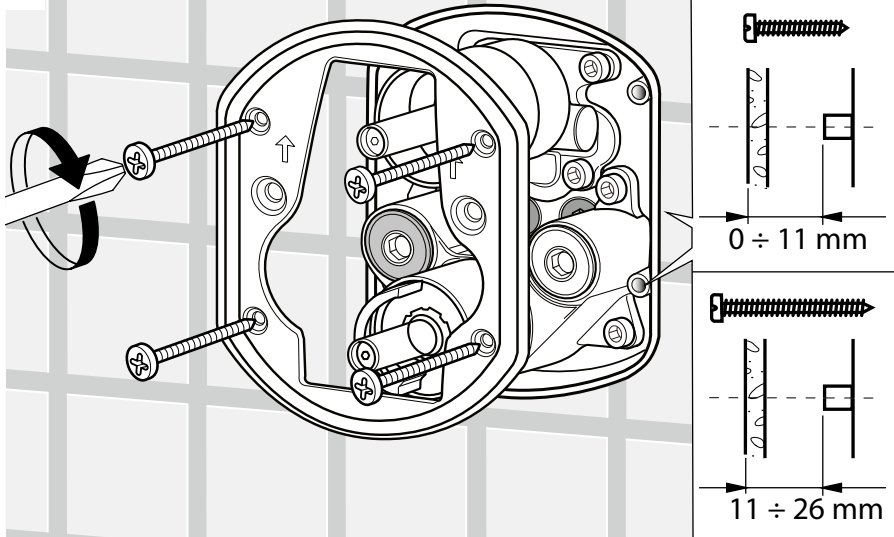


8E

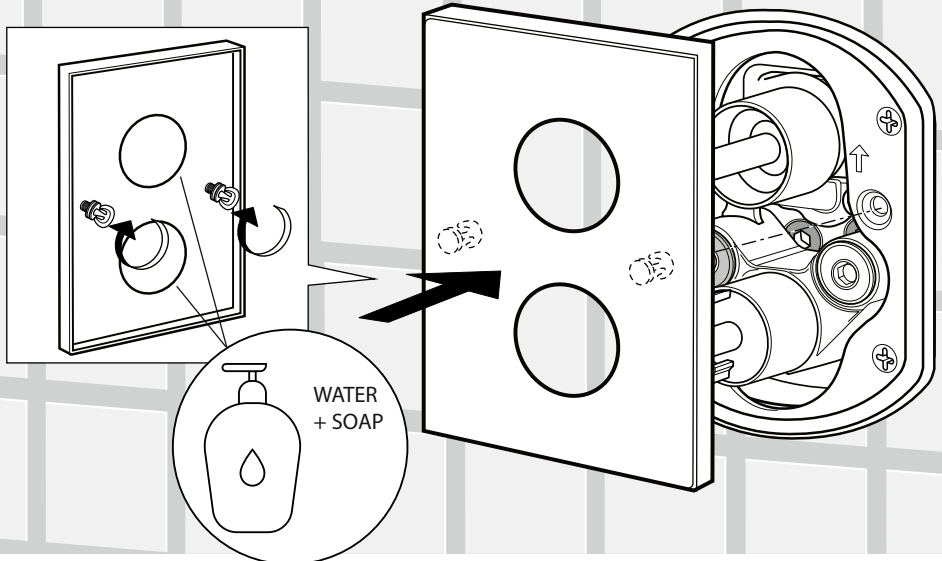




5

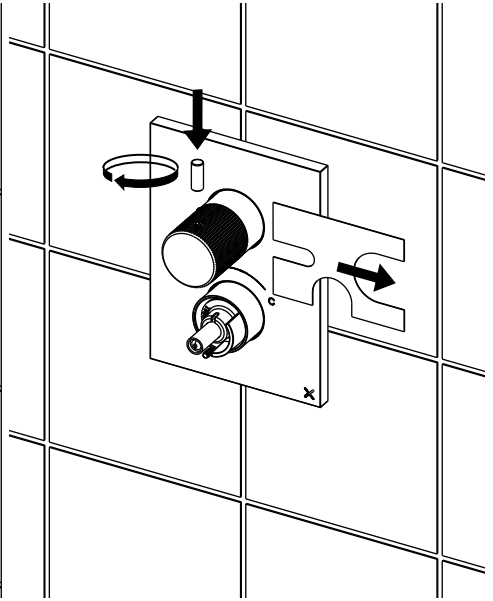
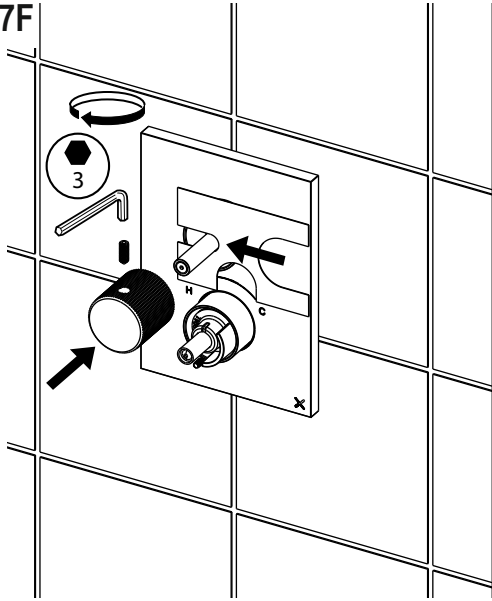


6F

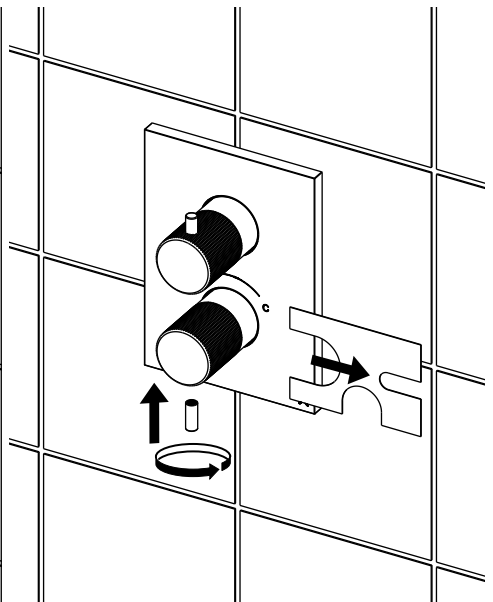
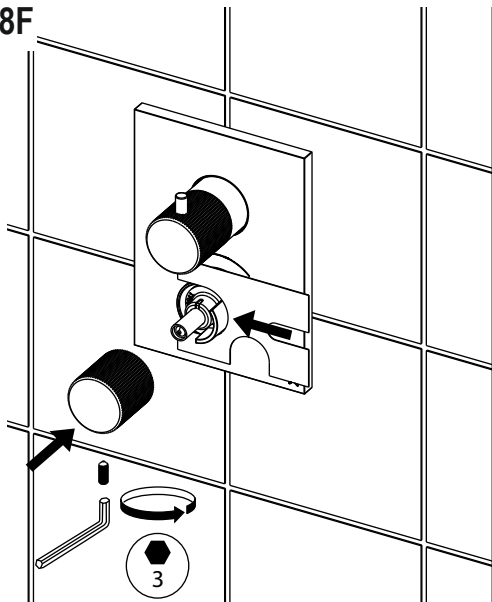




7F

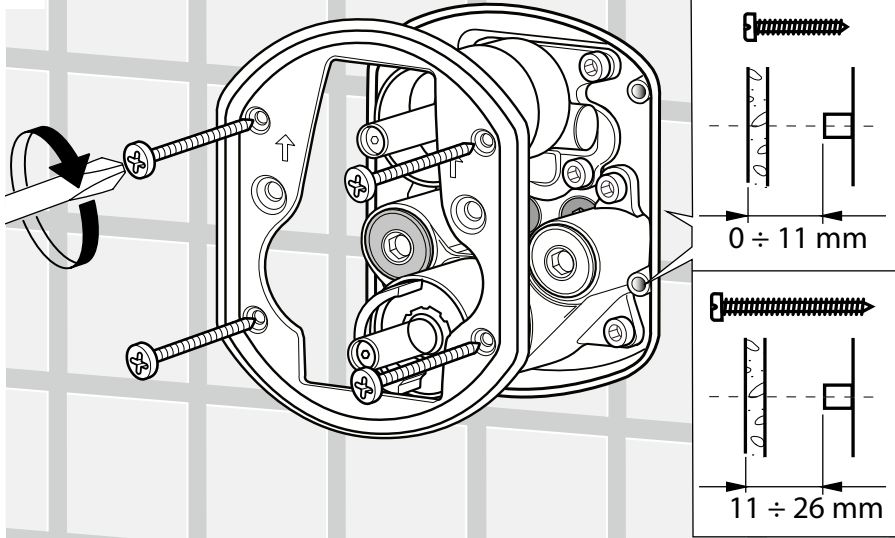


8F

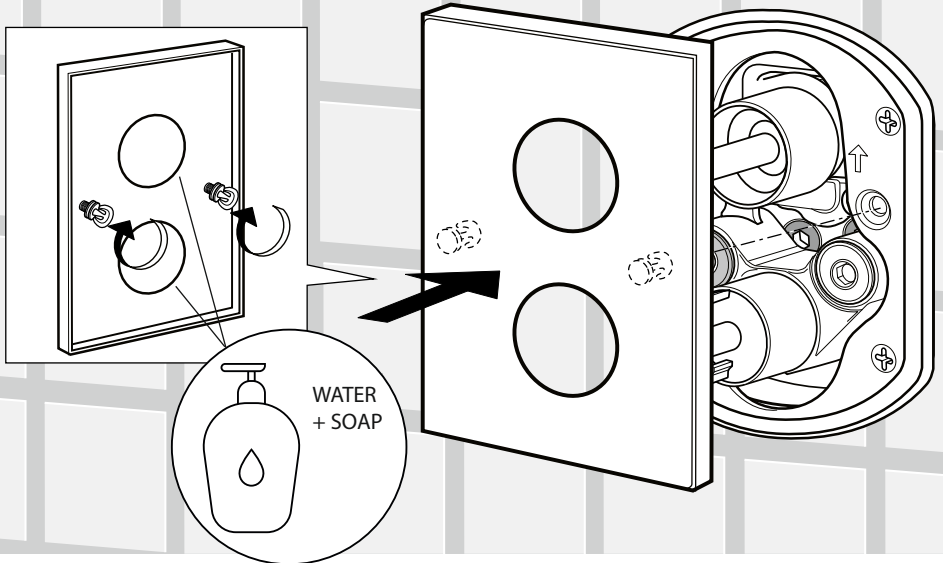




5

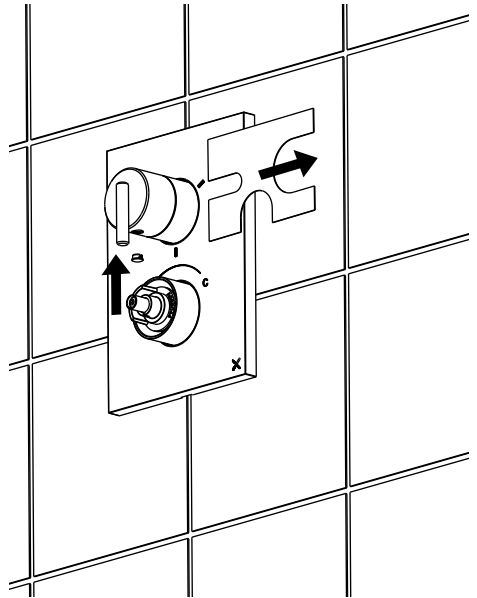
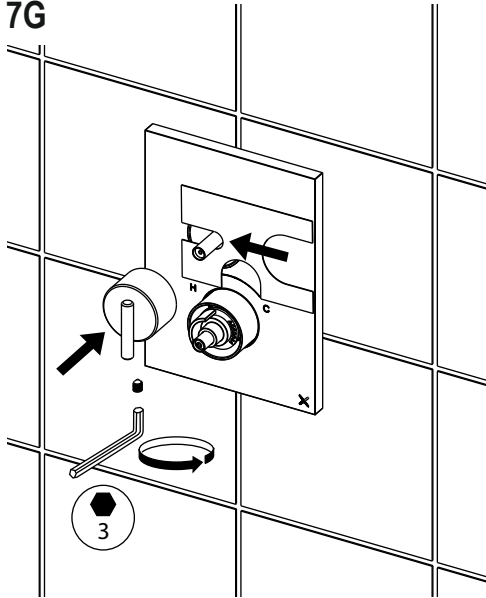


6G

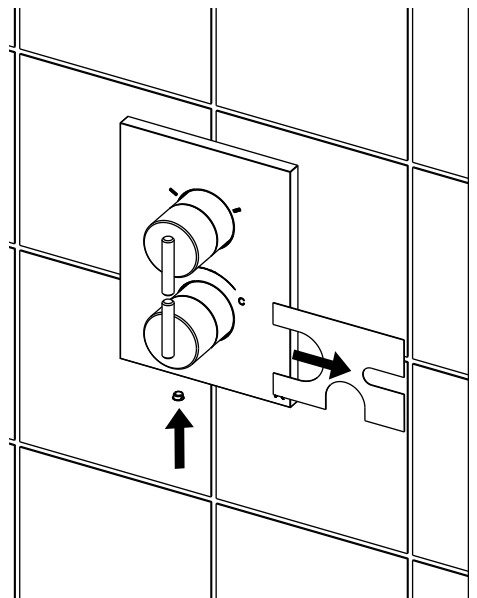
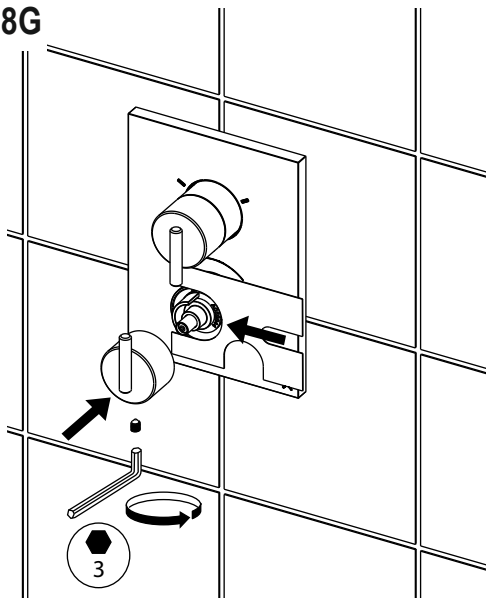




7G

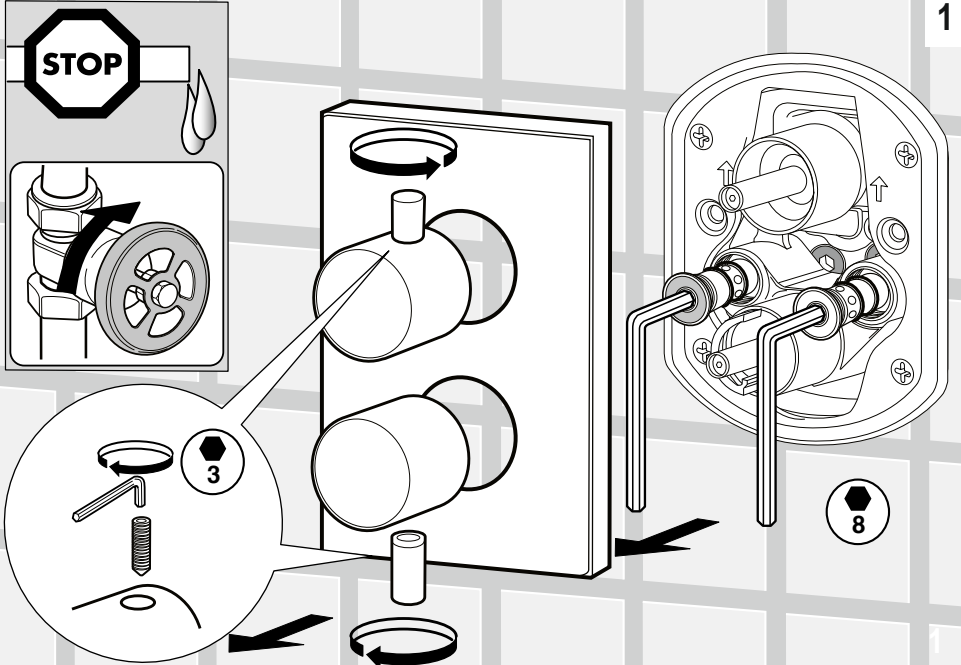


8G

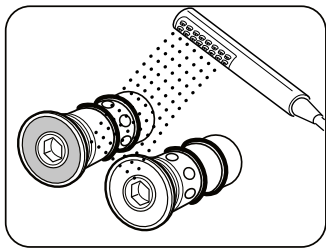
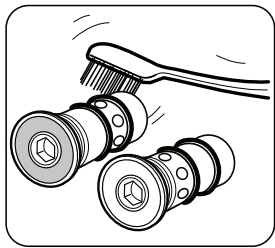
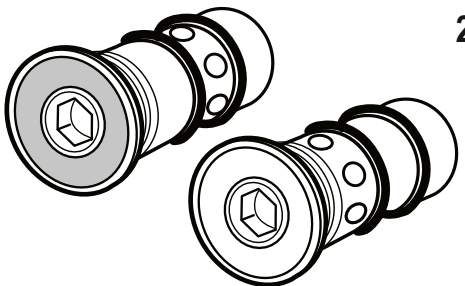
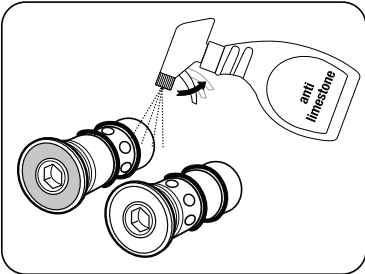


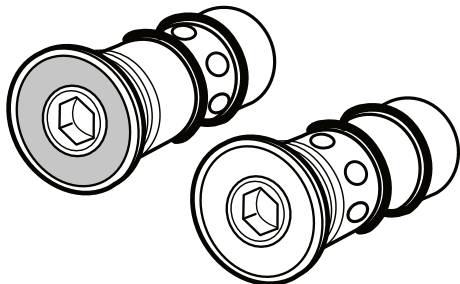
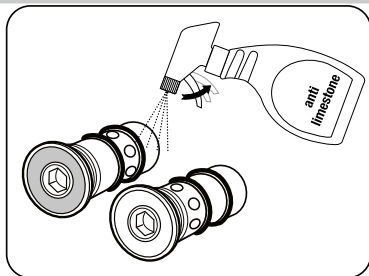
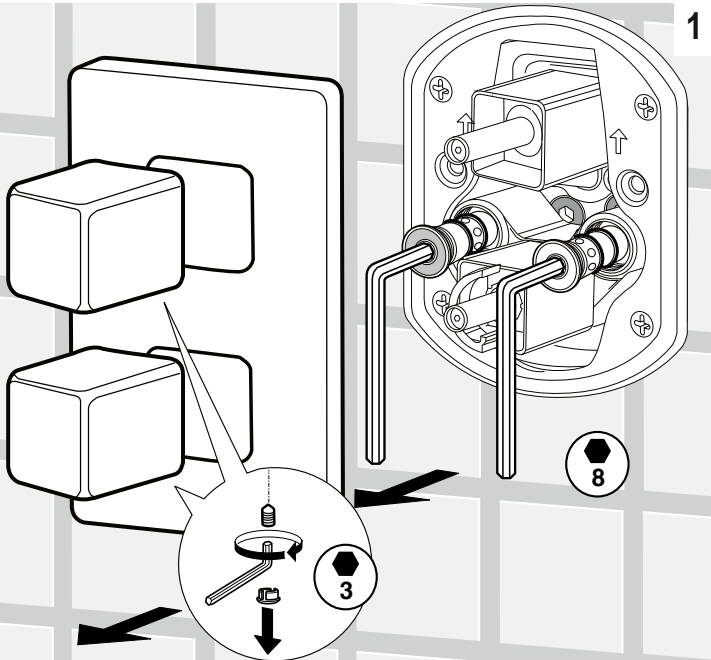
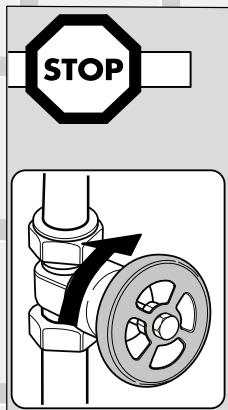
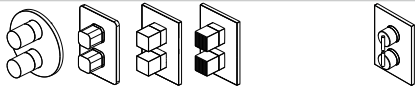


1

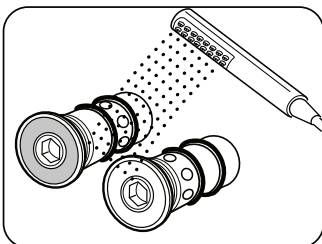
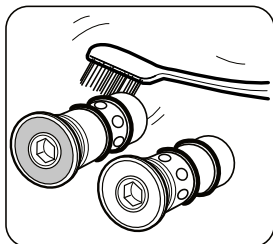


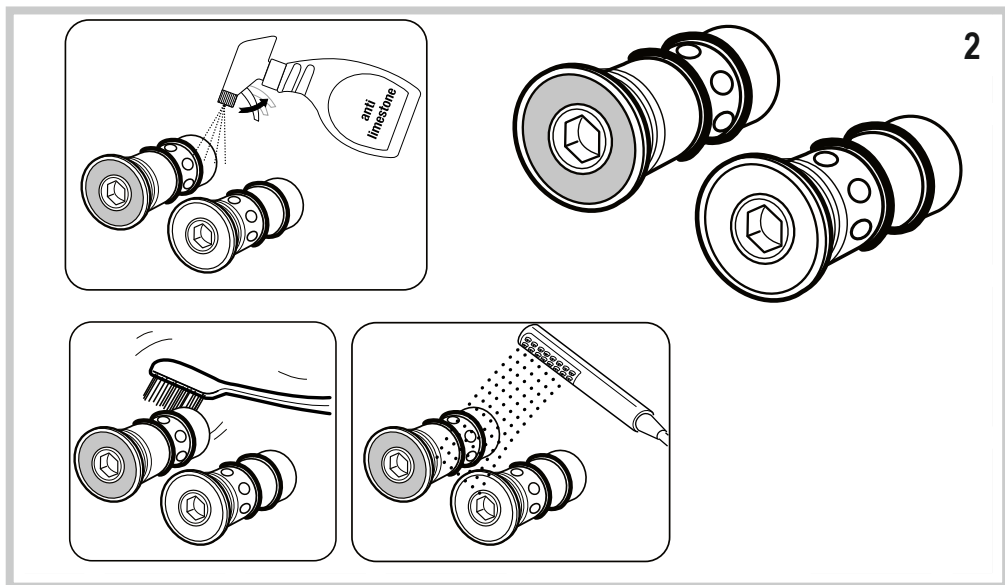
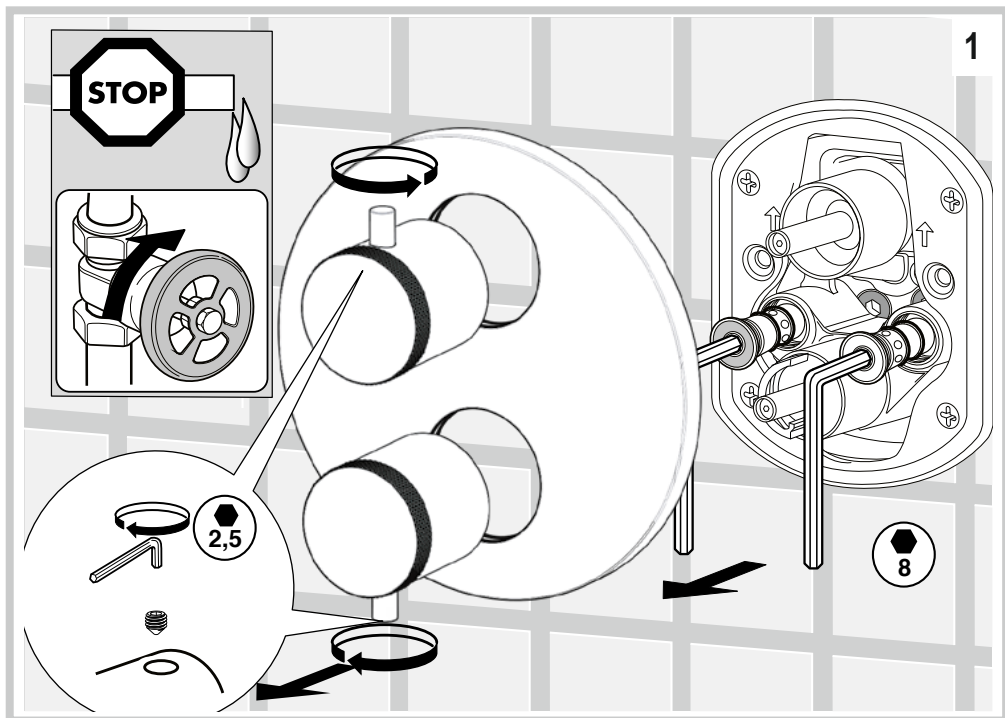
2

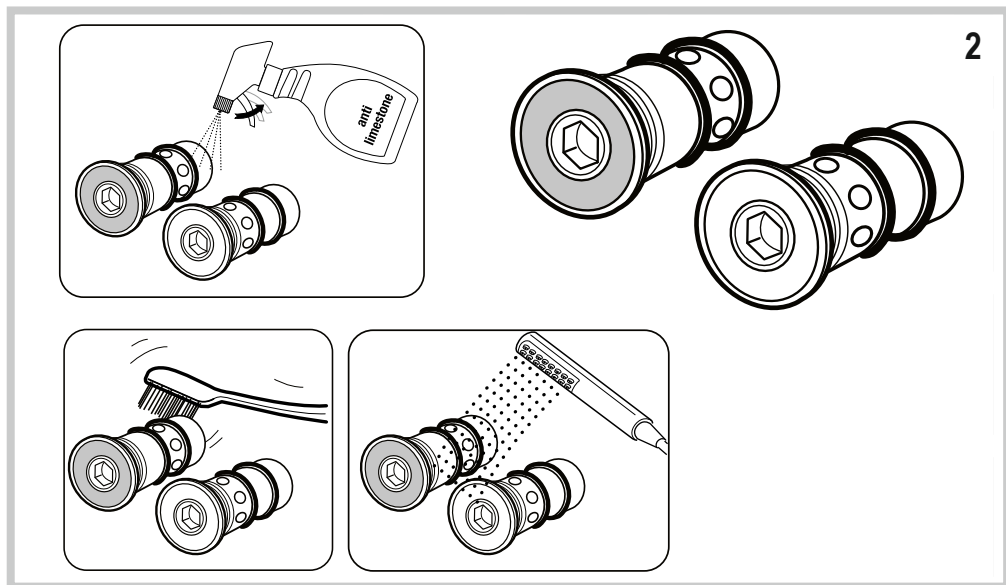
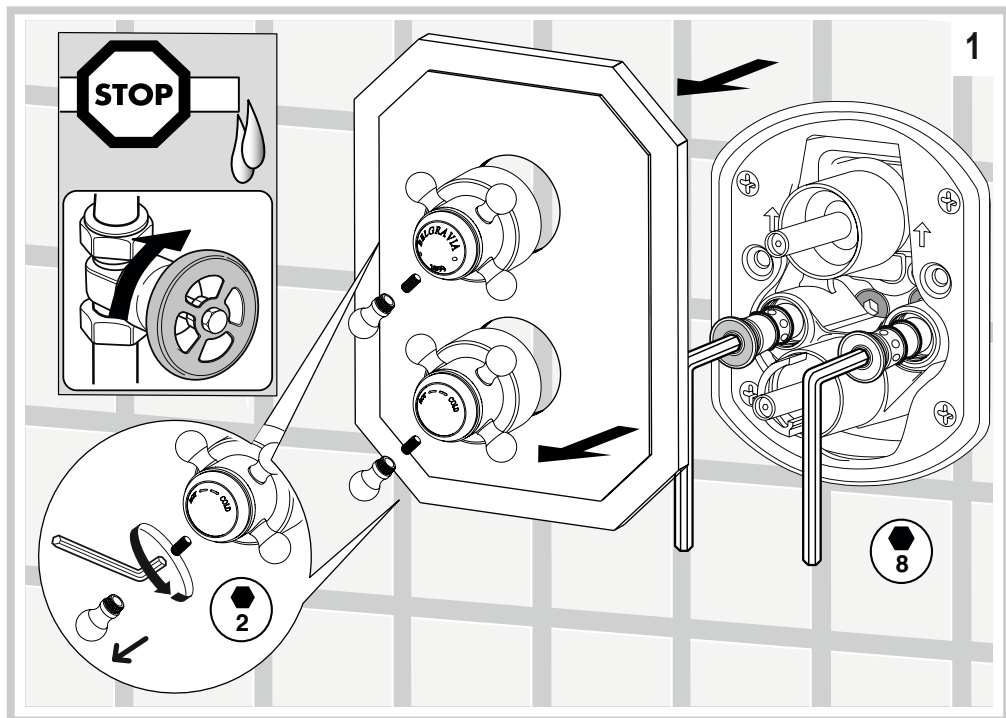




2

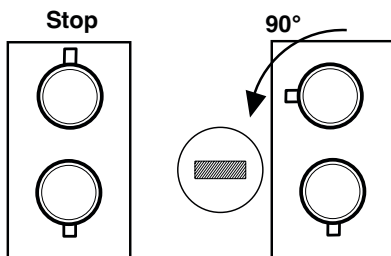




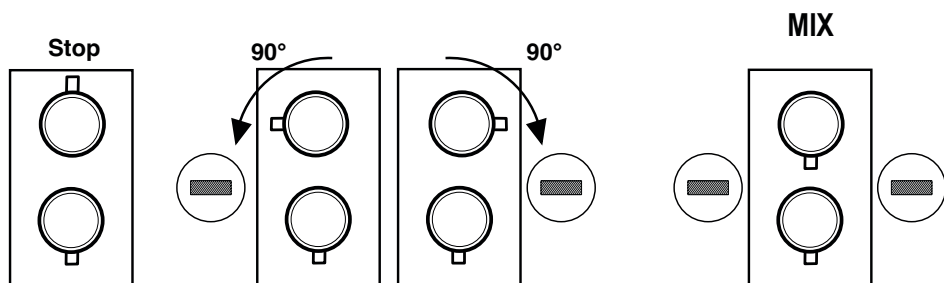




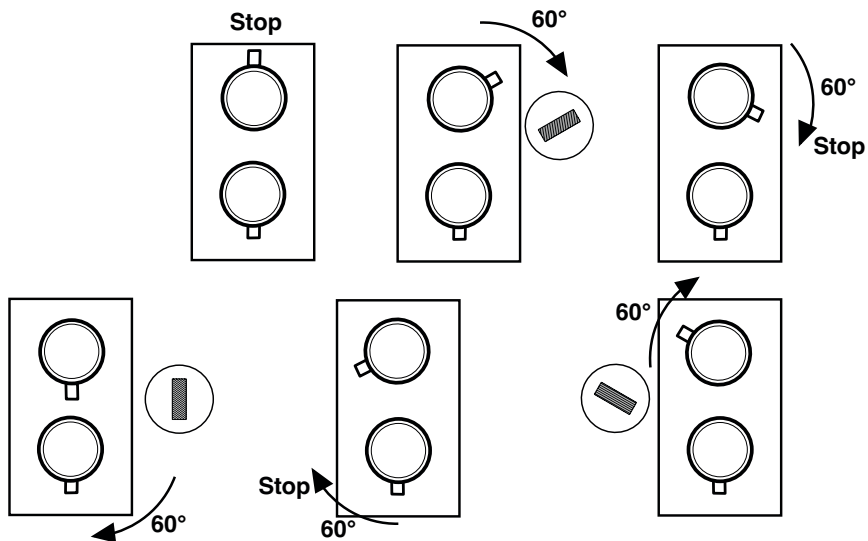
THERMOSTATIC 1 WAY

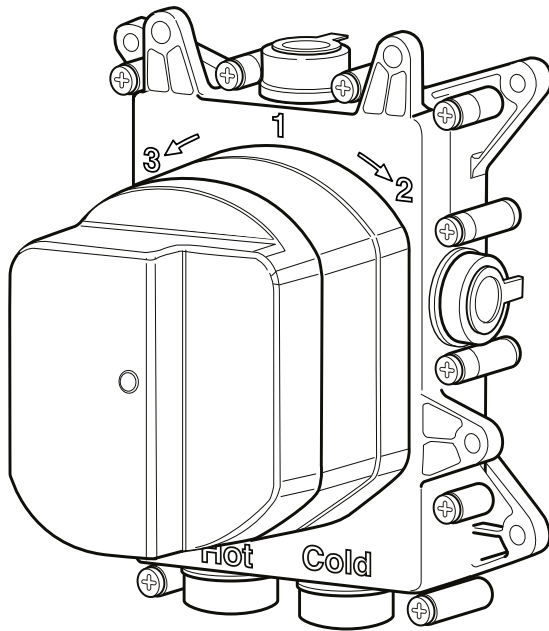


THERMOSTATIC 2 WAYS



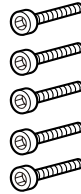
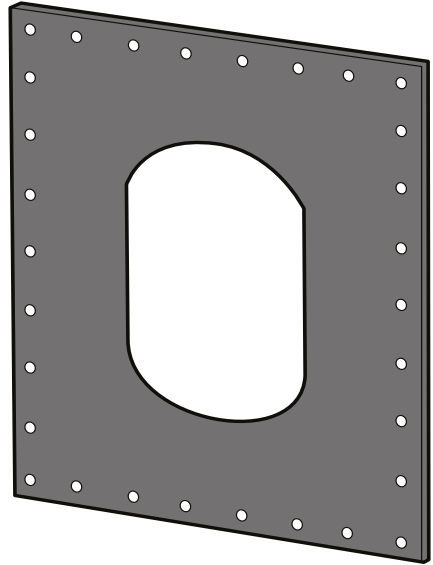
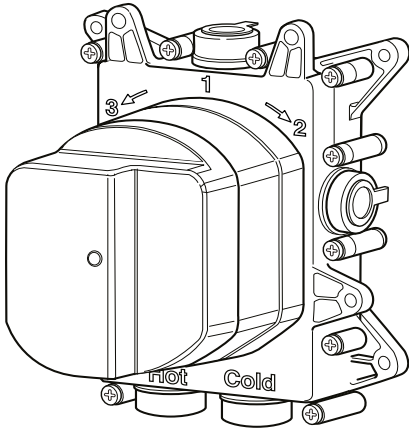
THERMOSTATIC 3 WAYS





CROSSBOX

Mounting Instructions



Mounting instructions



Pressure range min/max 0,5/5 bar
(in case of water pressure higher than 5 bar we recommend installing pressure reducers).

Recommended pressure 3 bar.

Operation:

Either with gas or electric accumulation boilers.

Centralised systems.

The product should only be installed by a suitably qualified plumber/installer.

Safety lock at: 41° C

Min. Working temperature: 3° C

Min. recommended: 15° C

Max. Working temperature: 70° C

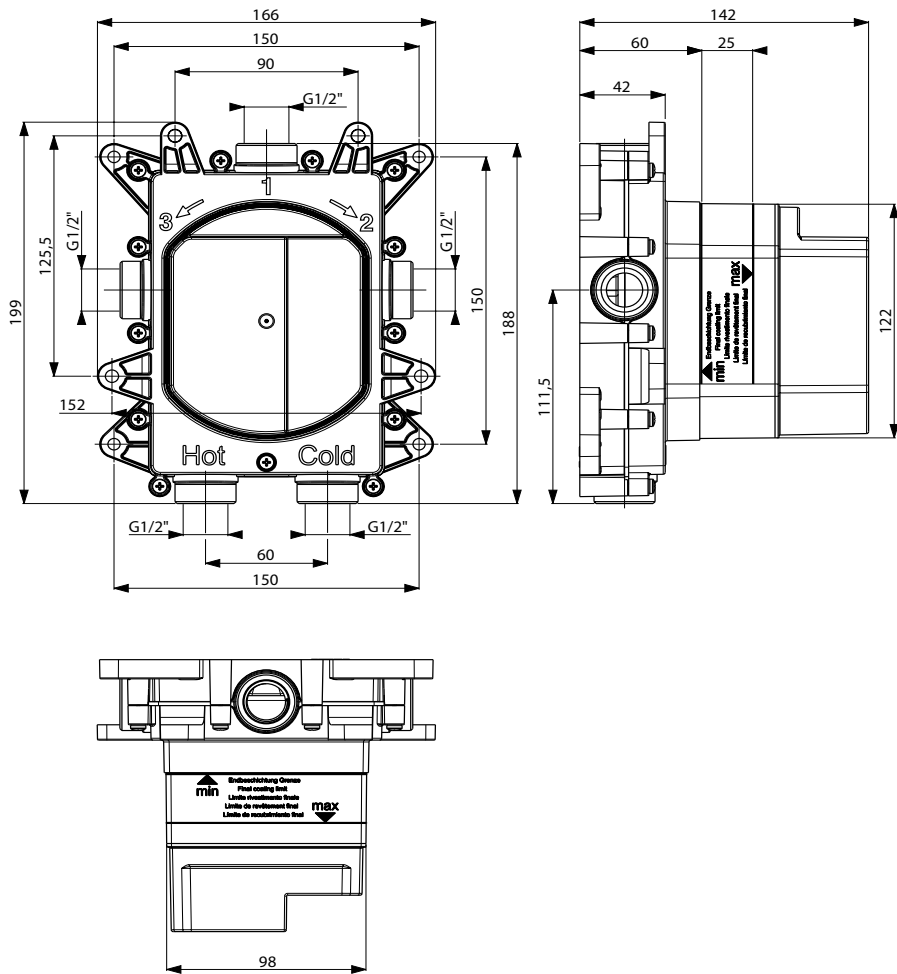
Max. recommended: 65° C

Recommended thermal differential 50° C

Thermal disinfection is allowed.

Safety system with flow stop in case of lack of one of the two waters.

Warning: contact the plumber for the choice of the best water heating device.

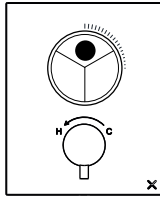


Press.	FLOW RATE (L/min)				
bar	Push button 2 ways				
	Exit 1		Exit 2		
	min.	max.	min.	max.	
	0,5	1,5	7,5	1,5	7,5
	1	2,3	11,3	2,3	11,2
	2	3,5	16,5	3,5	16
	3	4,5	20,5	4,5	20
	4	5,5	23,7	5,2	22,8
	5	5,7	26,5	5,7	25,5

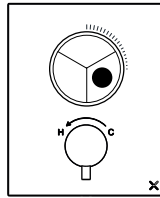
Press.

FLOW RATE (L/min)

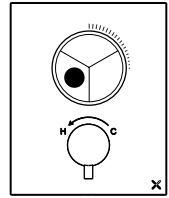
Push button 3 ways



Exit 1



Exit 2



Exit 3

bar

min. max.

min. max.

min. max.

0,5

1,8 8,1

1,8 7,7

1,8 7,7

1

2,7 11,8

2,6 11,5

2,6 11,5

2

3,9 16,8

3,9 16,7

3,9 16,7

3

4,8 20,7

4,8 20,5

4,8 20,5

4

5,5 24

5,5 23,7

5,5 23,7

5

6,2 26,7

6,2 26,6

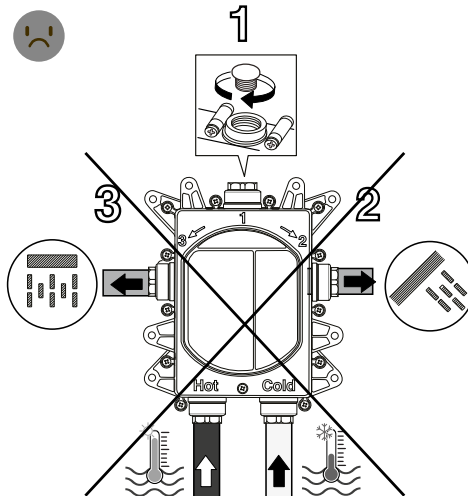
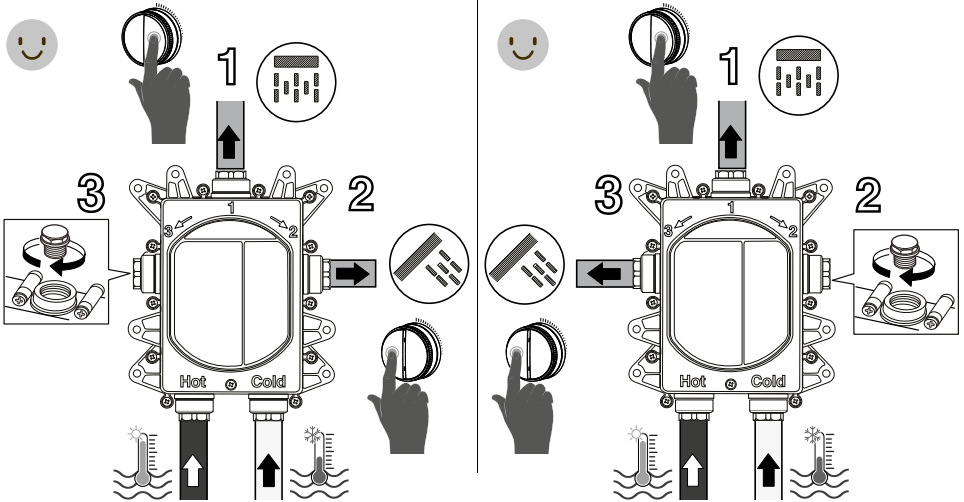
6,2 26,6



2 WAYS - ONLY PUSH VERSION



ATTENTION:
indications valid only
for PUSH VERSION!





3 WAYS - ONLY PUSH VERSION



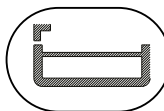
ATTENTION:
indications valid only
for PUSH VERSION!



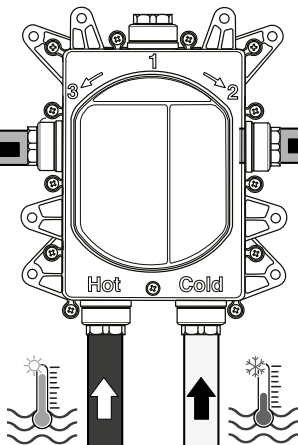
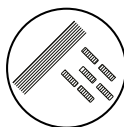
1

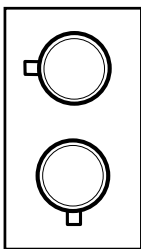
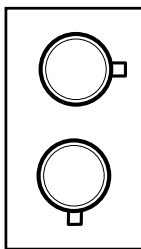
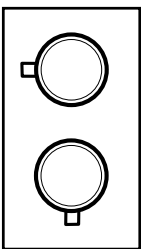
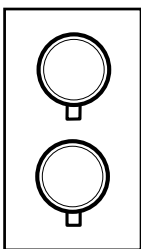


3



2

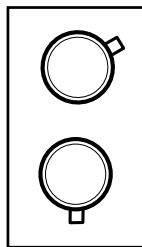


Press.	FLOW RATE (L/min)			
	Term. 1 way	Term. 2 way		
				
bar	Exit 1/2/3	Exit 2	Exit 3	Mix
0,5	8,2	8,2	8,2	9,2
1	11,7	11,7	11,7	13,2
2	16,7	16,4	16,4	18,7
3	20,7	20	20	22,9
4	24	23	23	26,4
5	26,6	25,8	25,8	29,5

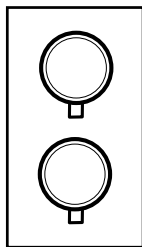
Press.

FLOW RATE (L/min)

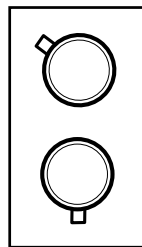
Term. 3 ways



Exit 1



Exit 2



Exit 3

bar

0,5

9,4

8,1

8,1

1

13,4

11,6

11,6

2

19,2

16,6

16,6

3

23,7

20,5

20,5

4

27,4

23,8

23,8

5

30,5

26,6

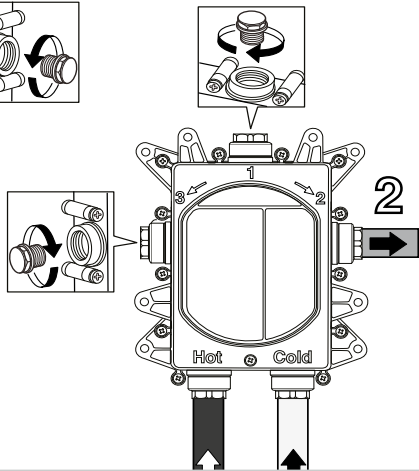
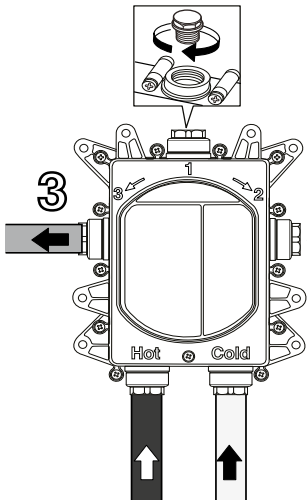
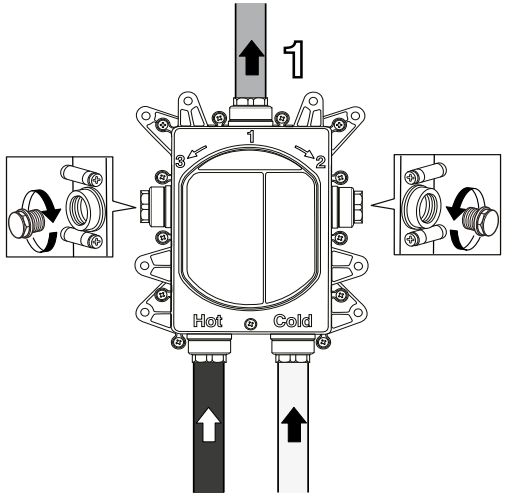
26,6



ATTENTION:
indications valid only
for **OTHER VERSIONS!**

Use hemp or teflon

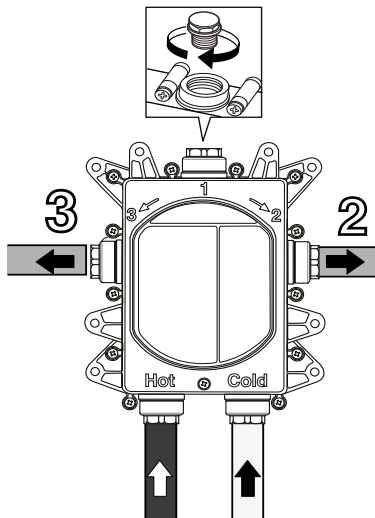
1 way



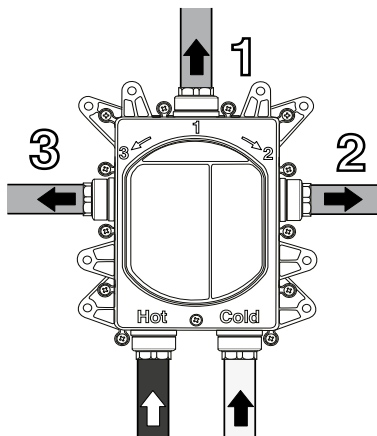


ATTENTION:
indications valid only
for **OTHER VERSIONS!**

2 ways

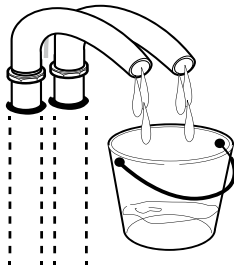
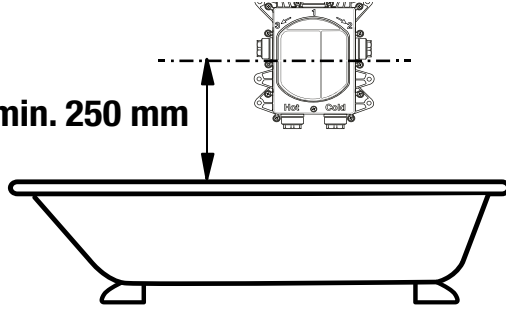


3 ways

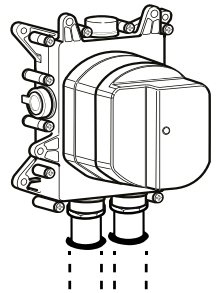
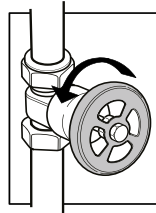


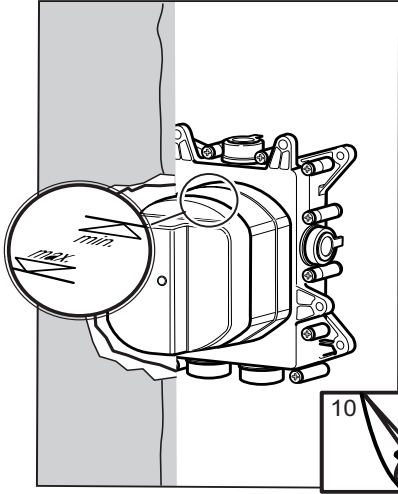


min. 250 mm

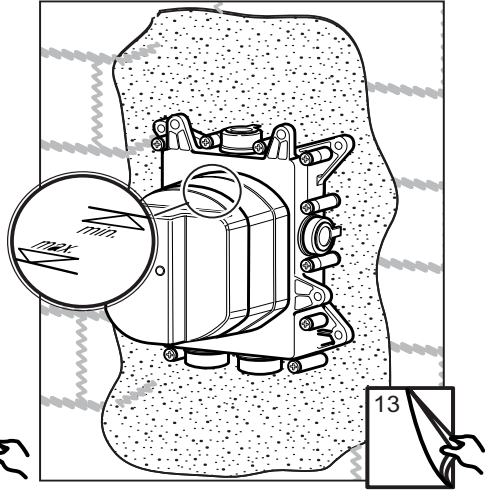


1° → 2°

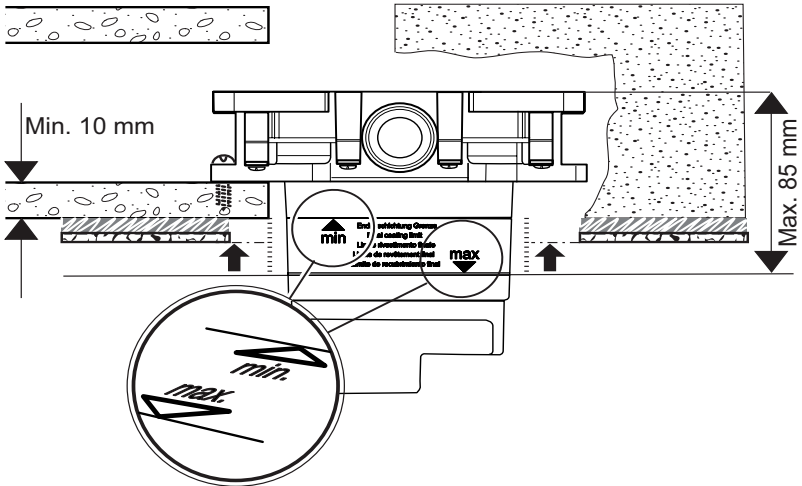


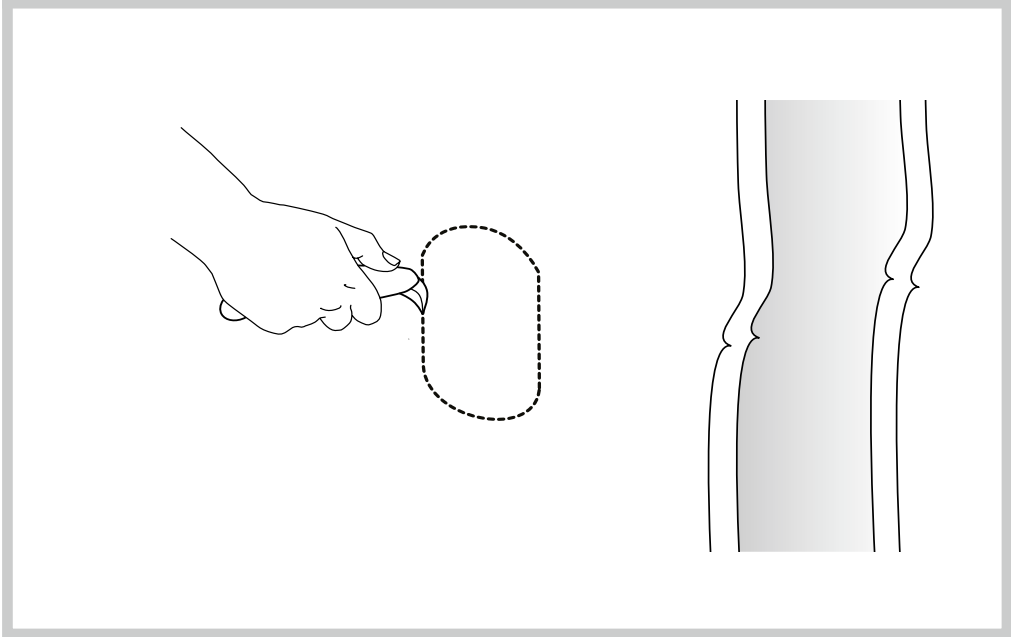
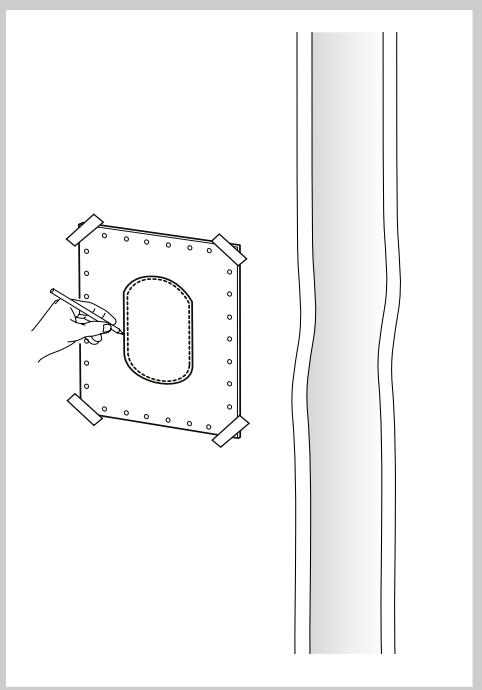
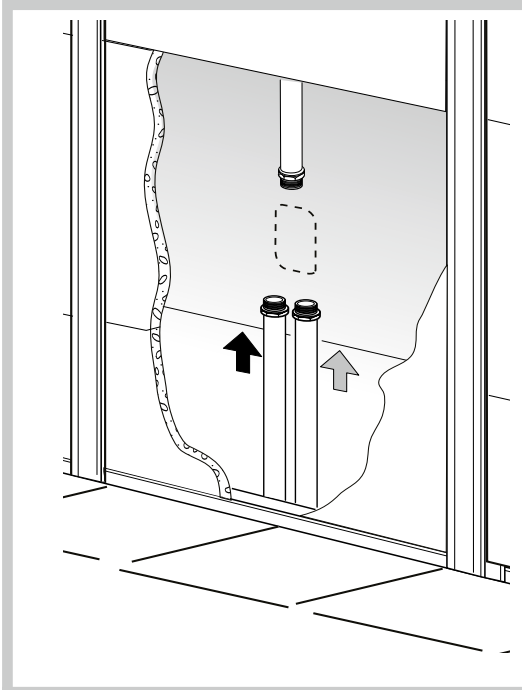


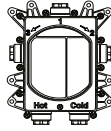
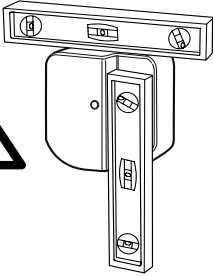
Mounting on plasterboard wall



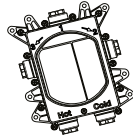
Wall mounting



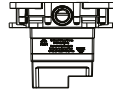




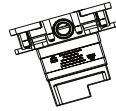
OK



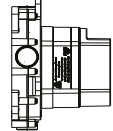
NO



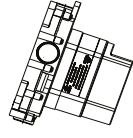
OK



NO



OK



NO

