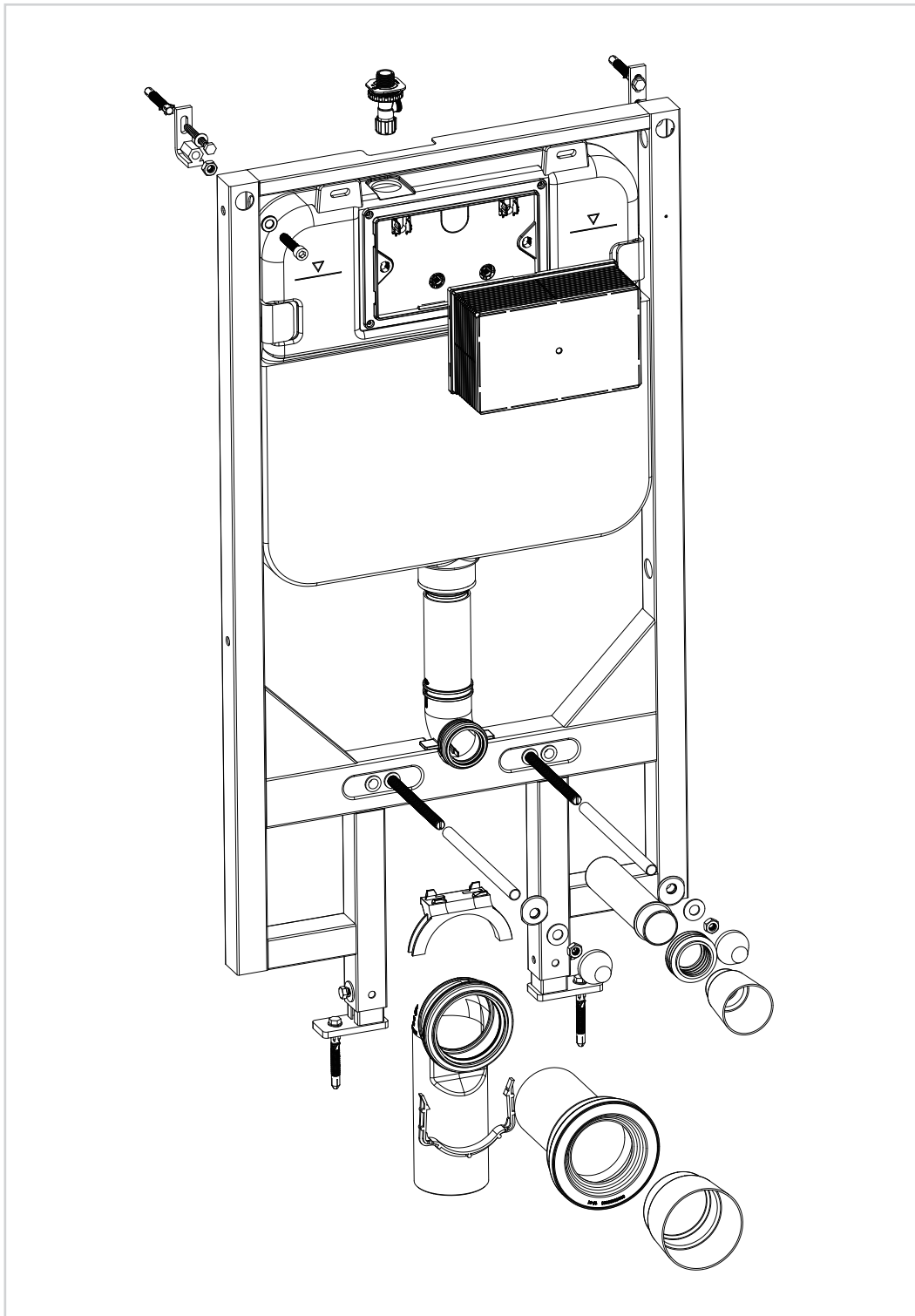


# CISTERN & FRAME

Slim Depth WC Support Frame 1.14M Height



**PRODUCT CODES:**

---

WCF114X59R

BR\_WCF114X59R



## BEFORE YOU START



### IMPORTANT INFORMATION BEFORE YOU START

Please read carefully and keep this information for reference. Thank you for buying a Bathroom Brands Product. To ensure that it works to its full potential, it needs to be fitted correctly. Check the contents of the pack carefully before installation.

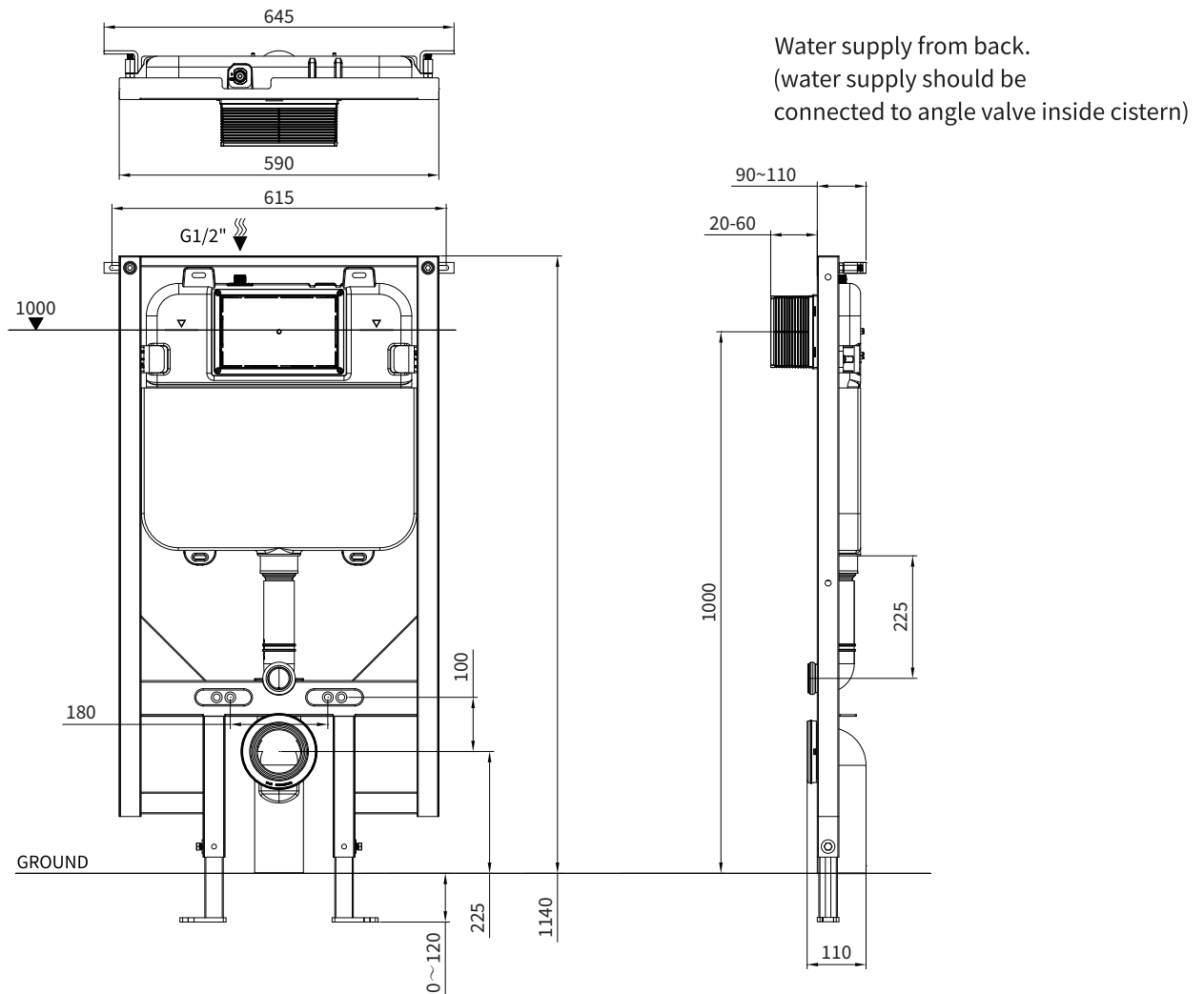
Bathroom Brands will not be held responsible for any re-fit costs where faulty product has been installed. If any fault is found with materials or workmanship, it must be reported immediately to the manufacturer. Remedial action will be taken based on information received, on condition that:

1. Full details are supplied to the manufacturer.
2. The product has not been modified or tampered with.
3. The manufacturer is informed of any damage/shortages prior to installation.
4. The product has not been installed, or attempts have been made to install.

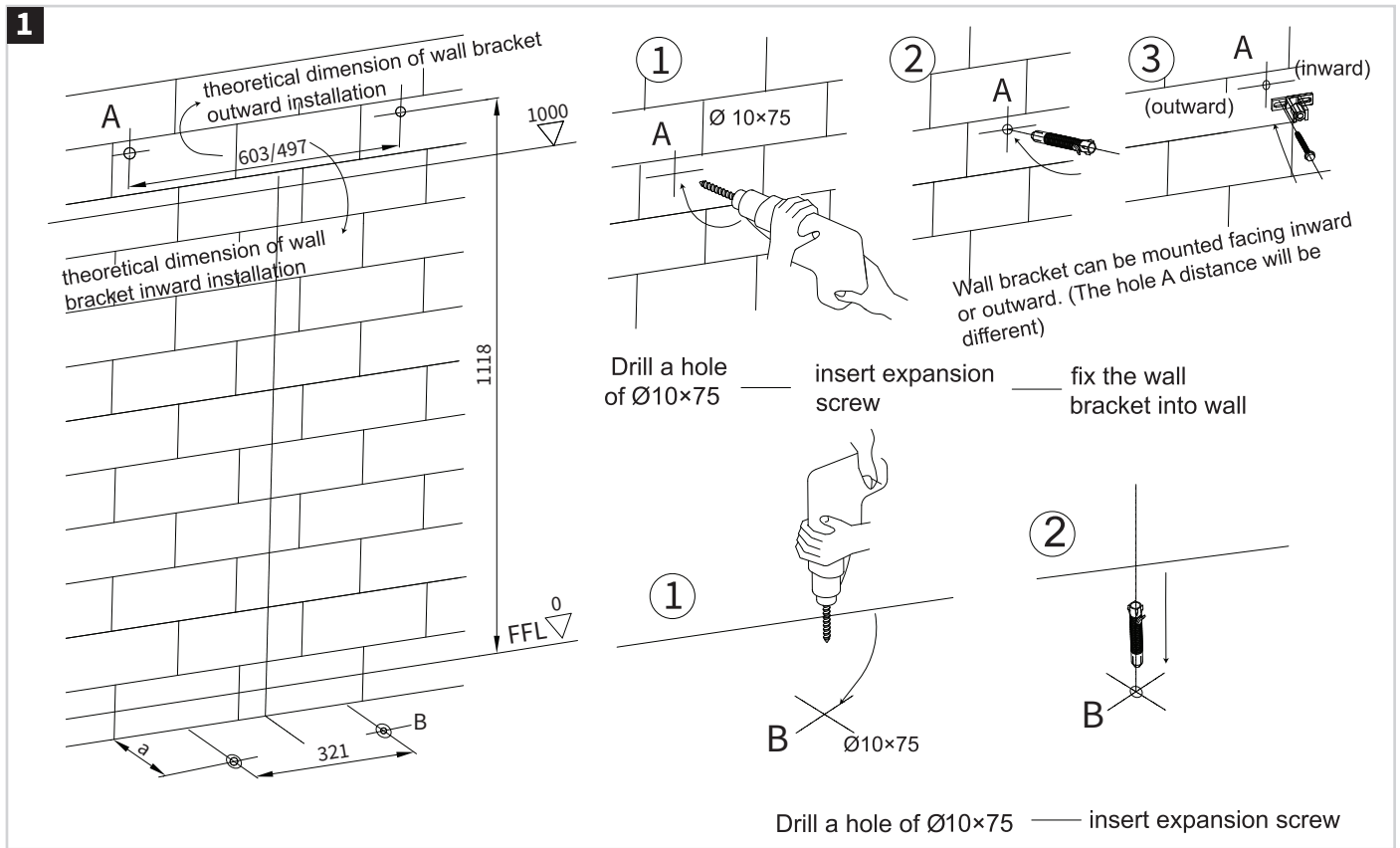
We do not accept responsibility for any problems that may occur through incorrect installation. This product should only be installed by a suitably qualified plumber/installer.

Should the installation be completed by a non-qualified person any product guarantee maybe considered invalid. .

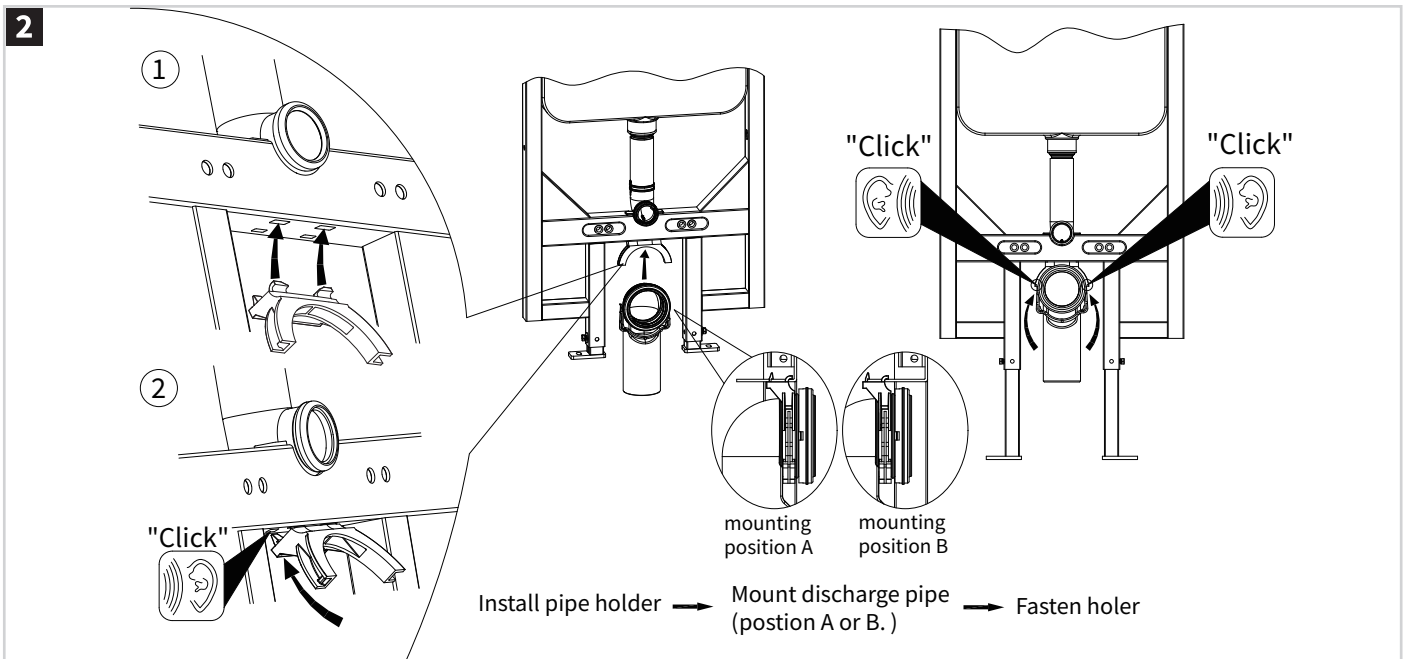
### General dimension and water supply drawing



# INSTALLATION



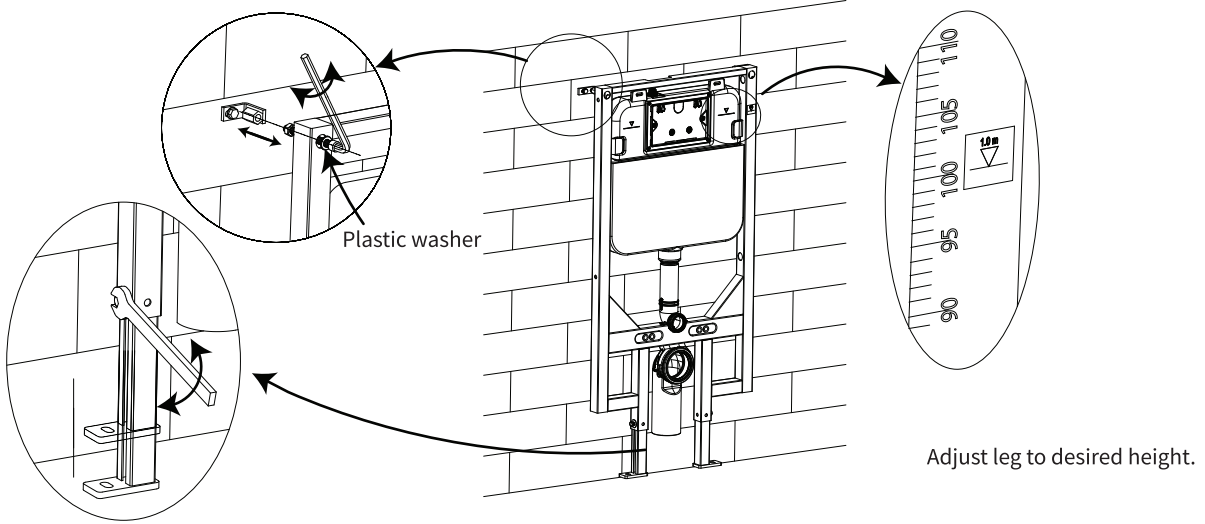
Drill the holes and insert the expansion bolt. Note: Above are theoretical dimensions of the frame, please follow the practical location of frame.



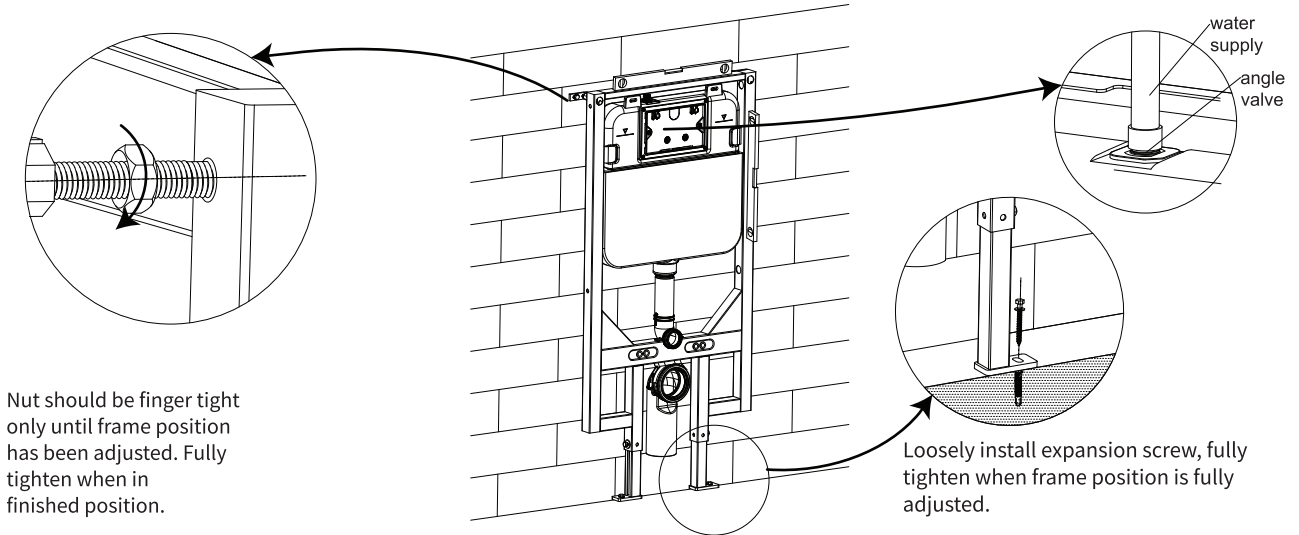
Connect the waste outlet pipe to the frame as shown.

# INSTALLATION

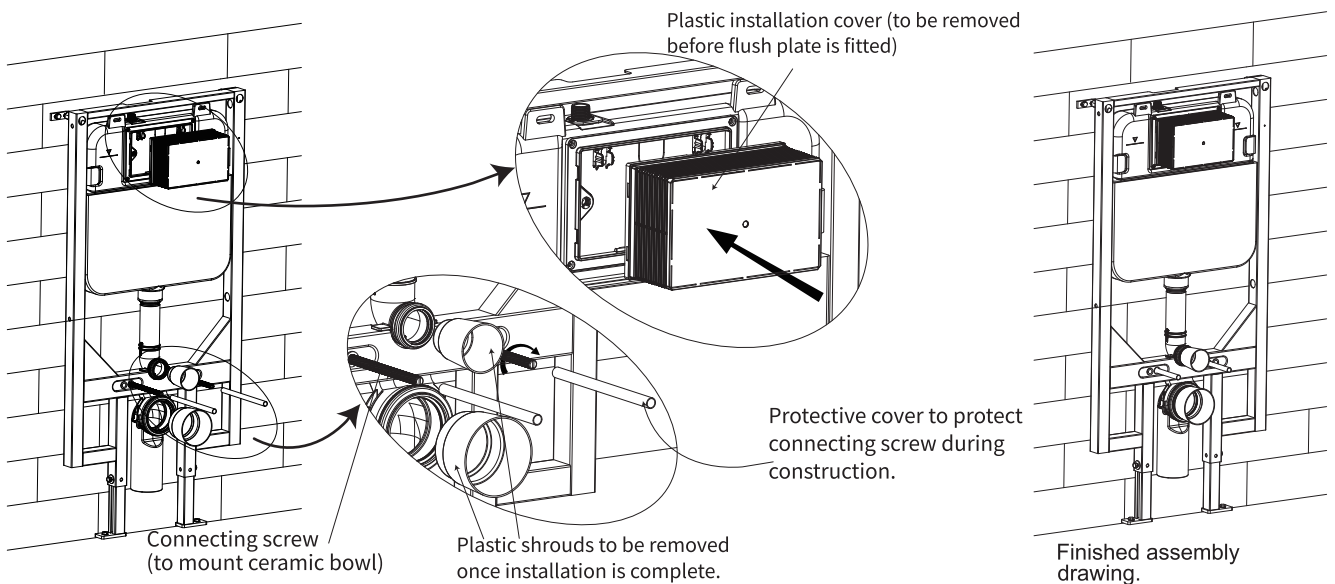
5



6

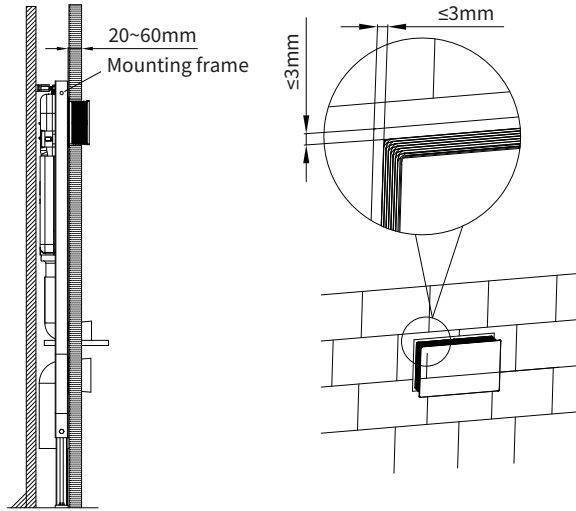
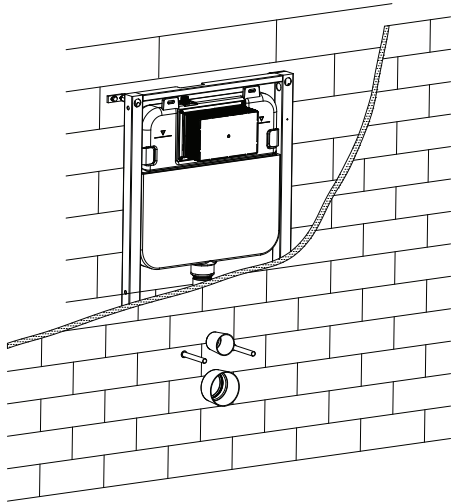


7

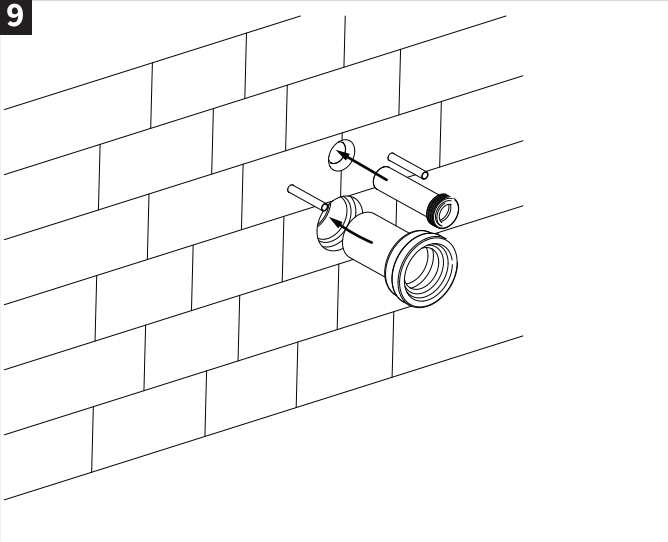


# INSTALLATION

8

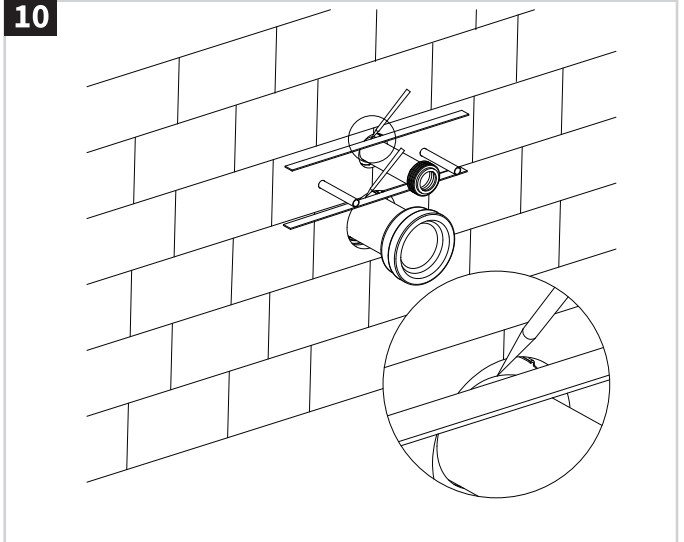


9



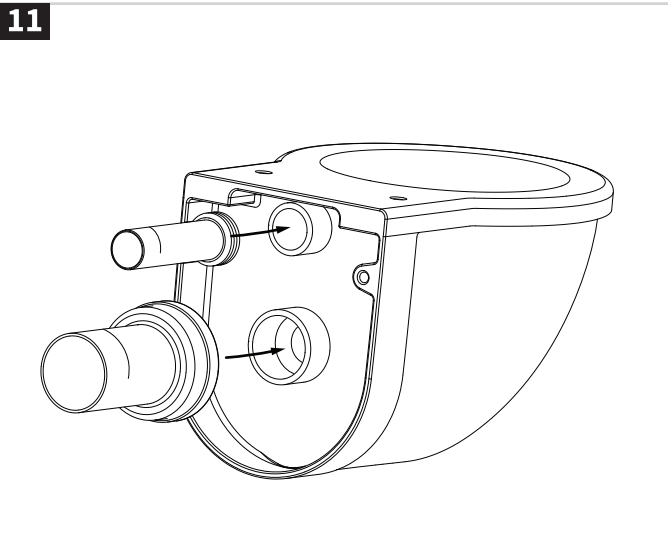
Fully insert flush and waste pipes.

10



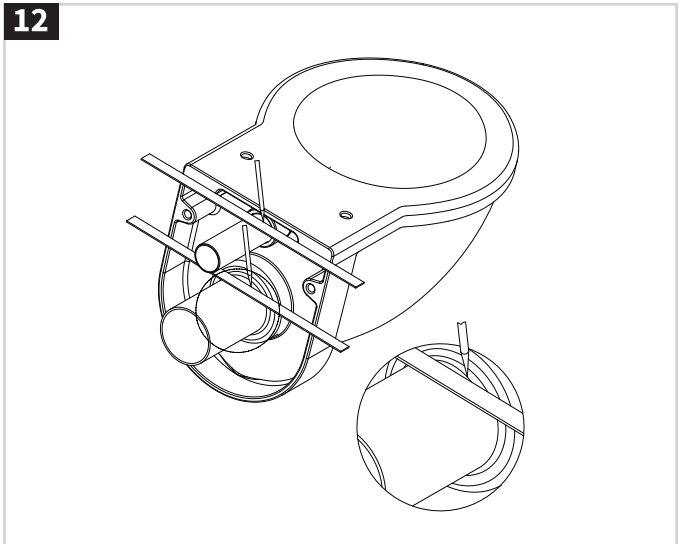
Draw line as above picture.

11



Connect flush and waste pipes to pan.

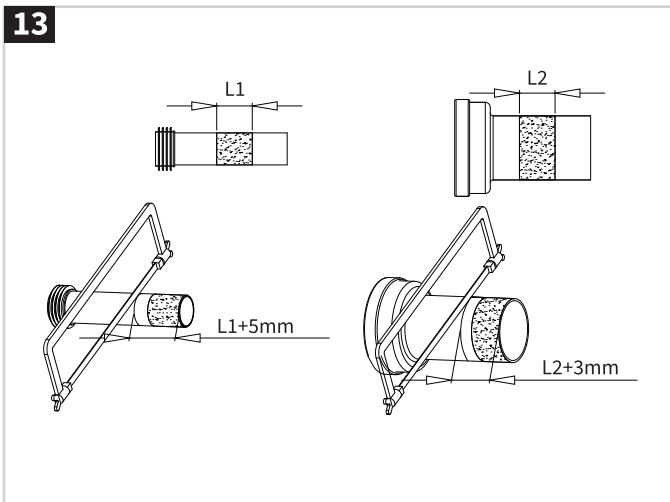
12



Draw the lines as above picture.

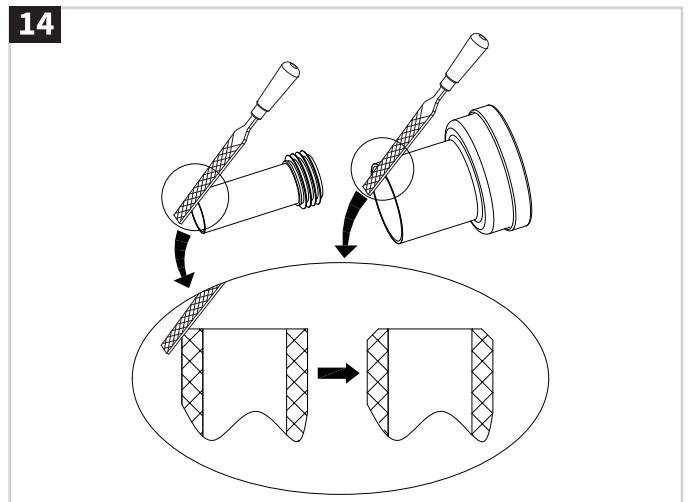
## INSTALLATION

13



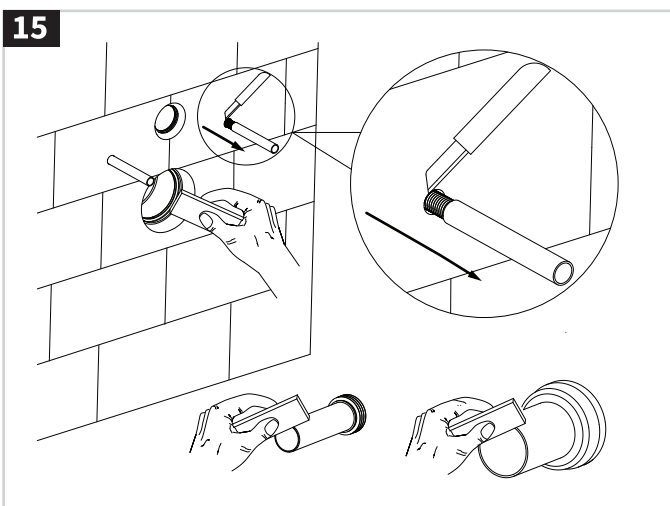
As per drawing, L1 is distance between the two lines on straight tube. L2 is the distance between the two lines on connecting pipe. Cut the flush and waste pipes per drawing

14



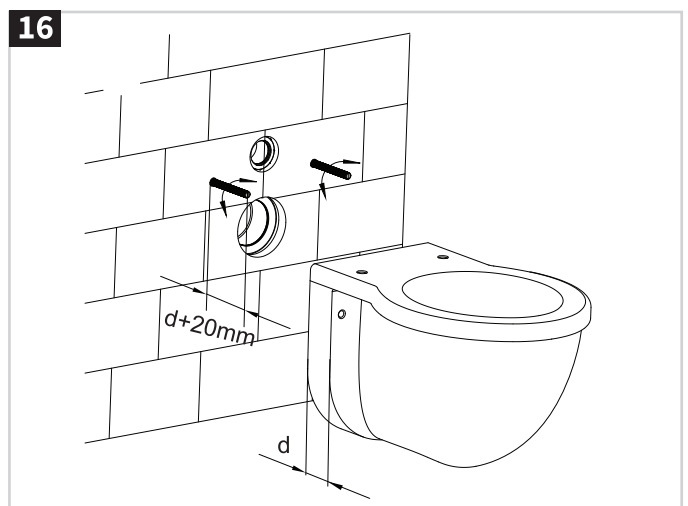
Chamfer and deburr pipe ends as appropriate.

15



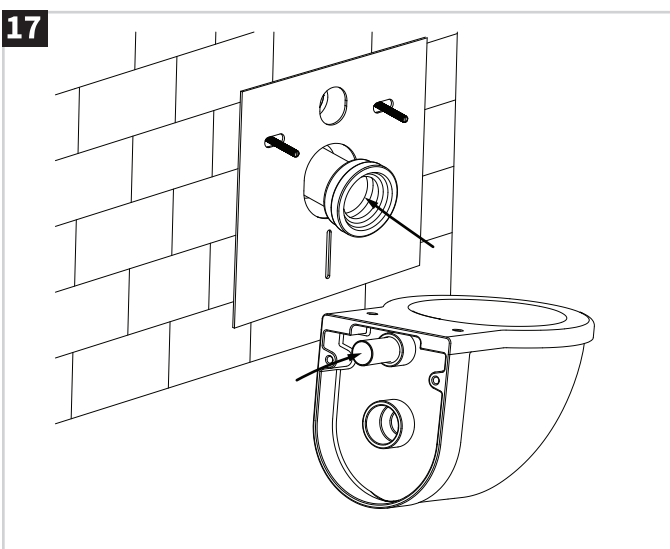
Cut the protection sleeve outside of the wall with a knife.

16



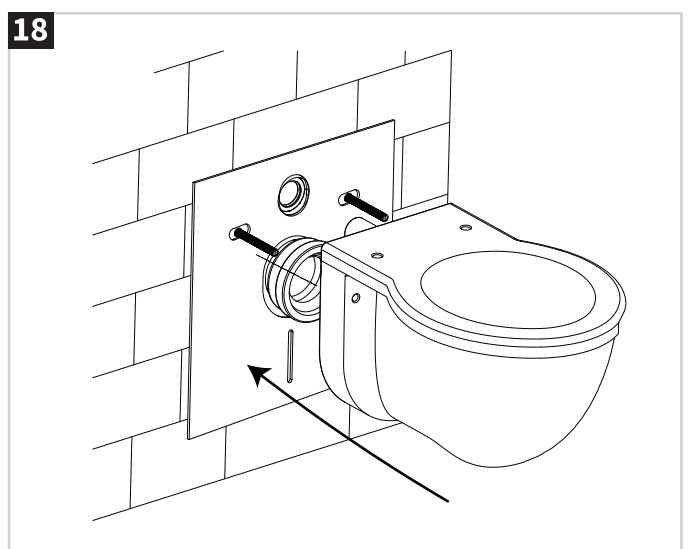
Adjust length of connecting bolt to be  $d+20\text{mm}$

17



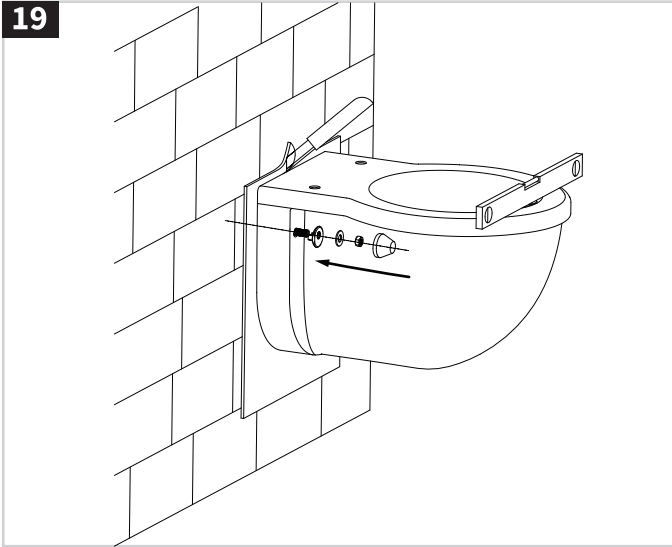
Insert flush pipe connector in pan and waste pipe connector to frame.

18

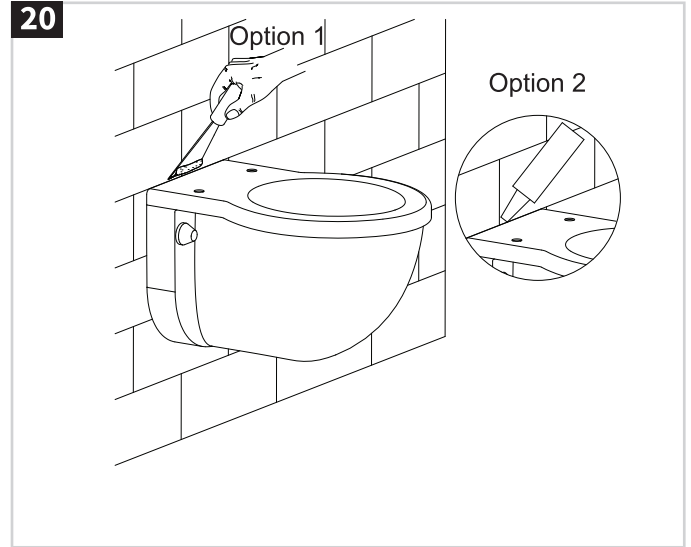


Mounting the wall hung pan.

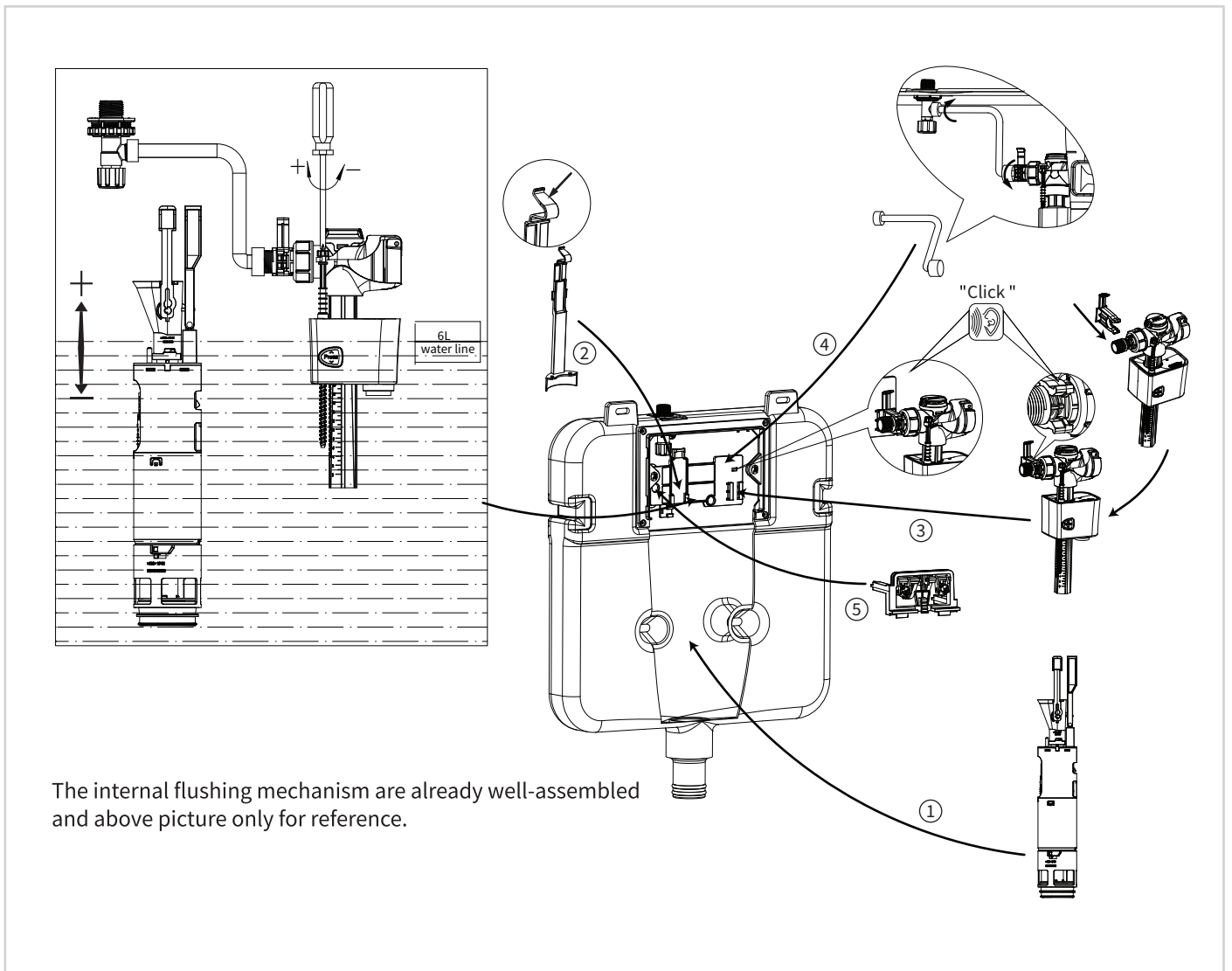
## INSTALLATION



Once flush and waste pipes are properly seated secure the pan to the wall/frame with fixings supplied.

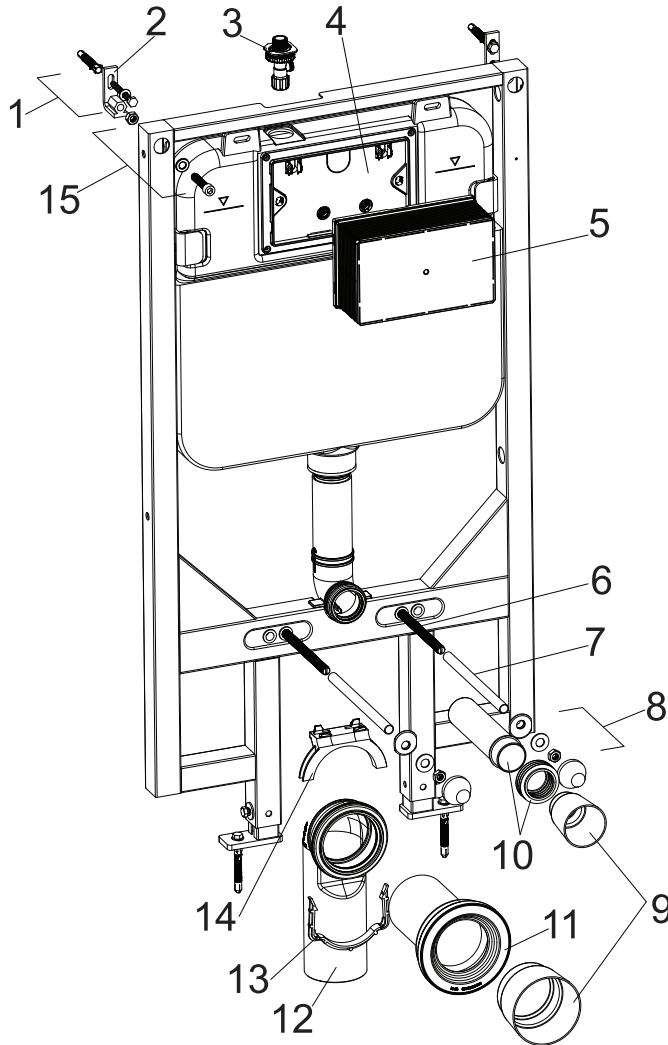


Once pan is installed, check for function and leaks. Once complete seal the joint between the pan and wall as appropriate.



The internal flushing mechanism are already well-assembled and above picture only for reference.

## INSTALLATION



Compatible with following flush plates :

VENFLUSHC	BR_VENFLUSHC
VENFLUSHB	BR_VENFLUSHB
VENFLUSHF	BR_VENFLUSHF
VENFLUSHV	BR_VENFLUSHV
VENFLUSHT	
VENFLUSHBZ	BURPLATEC
MPROFLUSHC	BURPLATEG
MPROFLUSHB	BURPLATEL
MPROFLUSHF	
MPROFLUSHV	
MPROFLUSHT	
MPROFLUSHBZ	
MPROSPLATEC	
MPROSPLATEB	
MPROSPLATEF	
MPROSPLATEV	
MPROSPLATET	
MPROSPLATEBZ	

### List of main installation accessories

NO.	Description	Qty	Function
1	Expansion screw	4	Mounting of frame and wall bracket
2	Wall bracket	2	Fixation of frame
3	Angle valve	1	Fill valve inlet and shut-off
4	Cistern cover	1	Airproof tank and mounting of locking bracket
5	Plastic holder	1	To reserve space for installation of actuator at wall building To prevent dust and impurities into tank at wall building
6	Connecting screw	2	To mount ceramic bowl
7	Protective cover	2	To protect connecting screw at wall building
8	Ceramic bowl fixing accessories	2	To mount ceramic bowl
9	Piping stopper	2	To reserve space for straight tube and connecting pipe
10	Straight tube	1	To joint cistern into ceramic bowl
11	Connecting pipe	1	(cutting in accordance with wall thickness)
12	Discharge pipe	1	To discharge liquid and solid waste from ceramic bowl
13	Mounting bracket	1	To mount draining syphon
14	Discharge pipe holder	1	
15	Socket head screw	2	Mounting of frame and locking into wall bracket



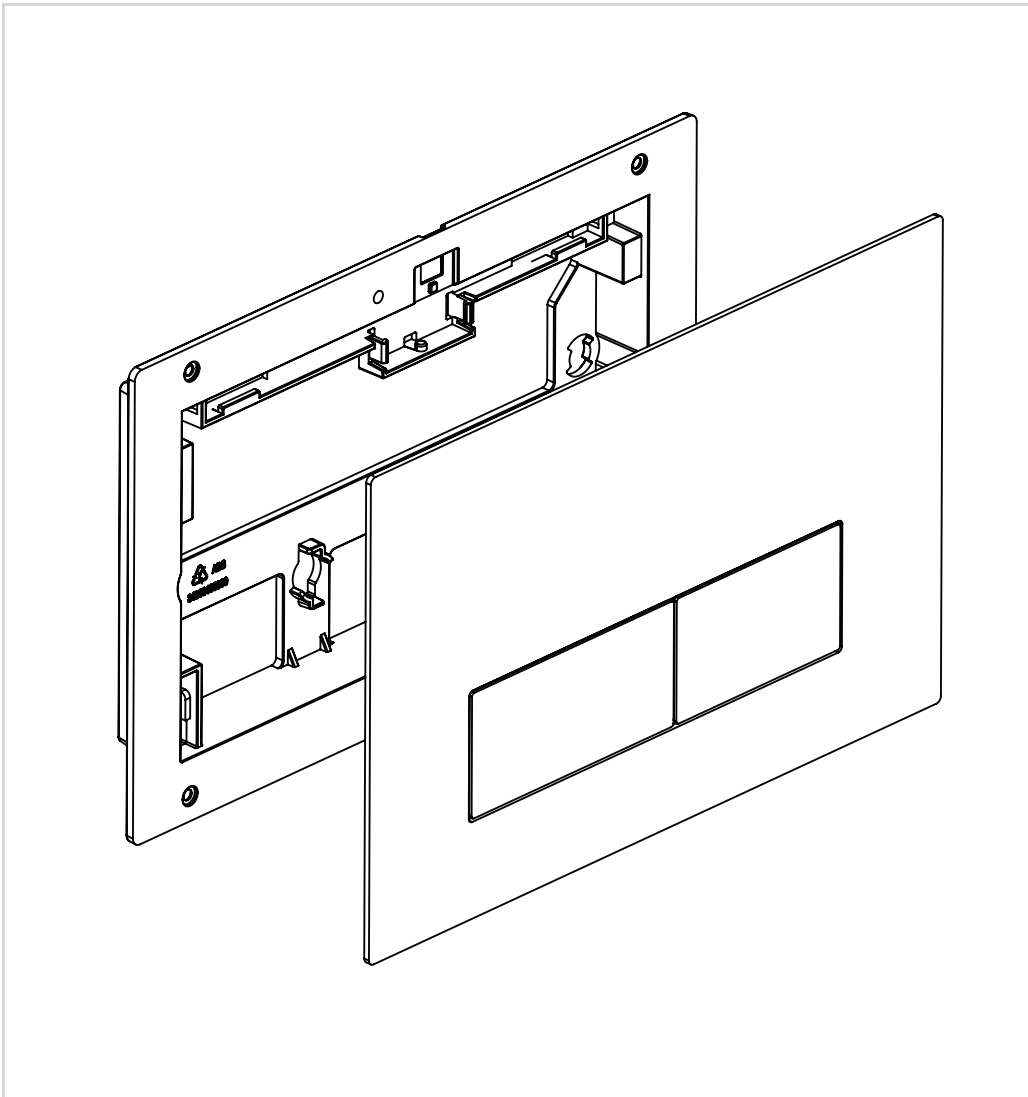


## CARE & MAINTENANCE

Do not use cleaning agents containing chlorine, acids or abrasive agents which could damage the surface.  
Clean only with a soft cloth using a mild detergent and dry with a micro fibre cloth or similar.

# CISTERN & FRAME

FLUSH PLATE



**PRODUCT CODES:**

---

MPROSPLATEC  
MPROSPLATEMB  
MPROSPLATEF  
MPROSPLATEV  
MPROSPLATET  
MPROSPLATEBZ

Actuation force <20N



## BEFORE YOU START



### IMPORTANT INFORMATION BEFORE YOU START

Please read carefully and keep this information for reference. Thank you for buying a Crosswater Product. To ensure that it works to its full potential, it needs to be fitted correctly. Check the contents of the pack carefully before installation.

Bathroom Brands will not be held responsible for any re-fit costs where faulty product has been. If any fault is found with materials or workmanship, it must be reported immediately to the manufacturer. Remedial action will be taken based on information received, on condition that:

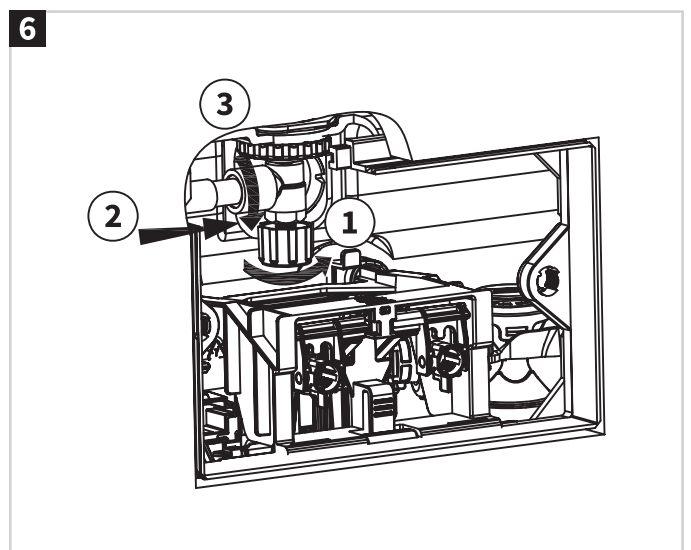
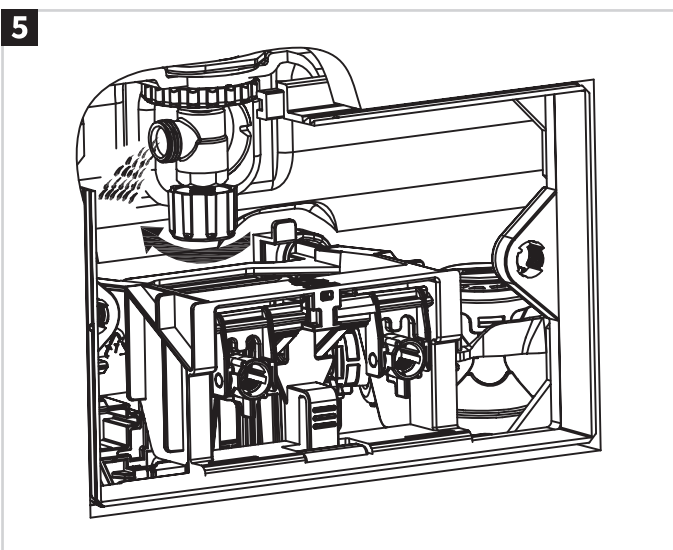
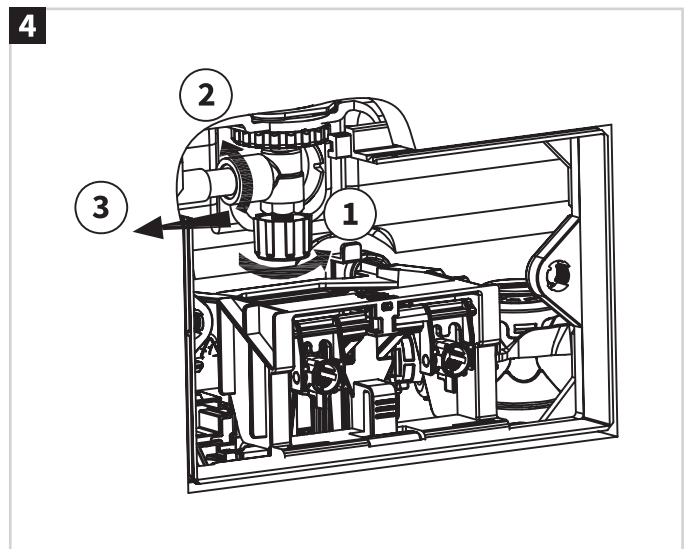
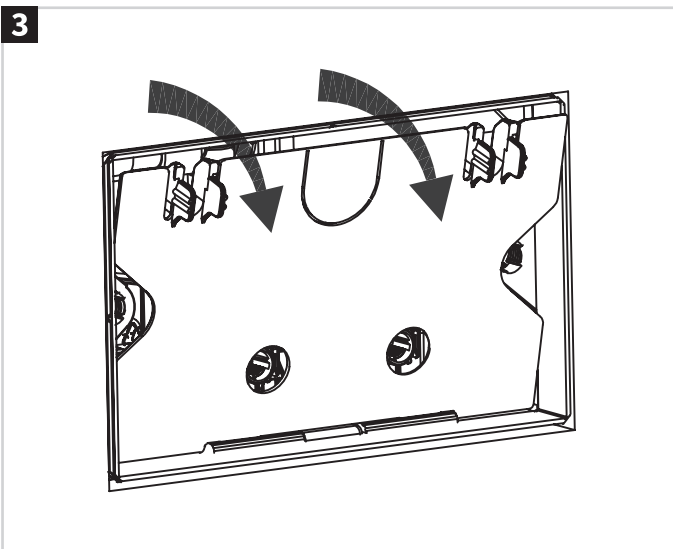
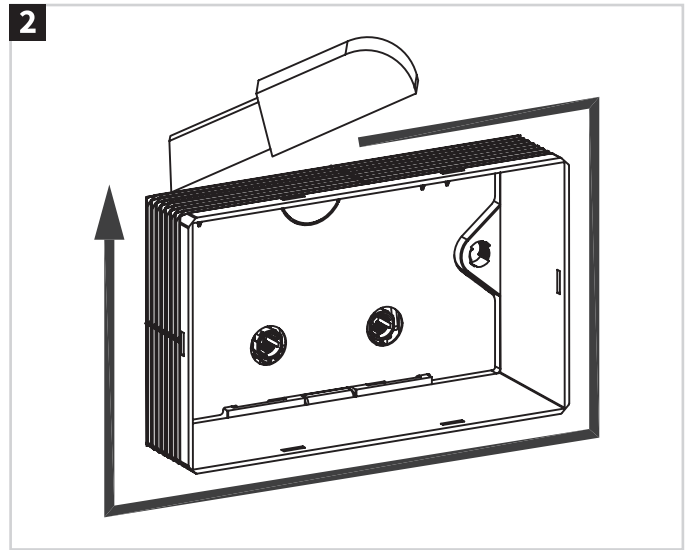
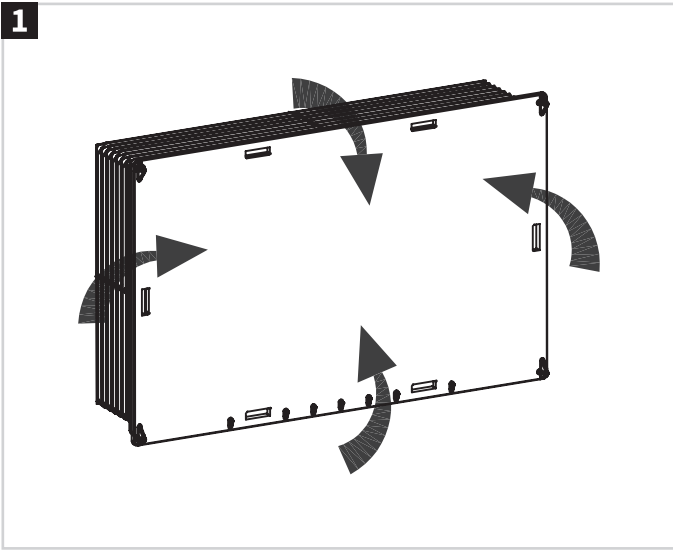
1. Full details are supplied to the manufacturer.
2. The product has not been modified or tampered with.
3. The manufacturer is informed of any damage/shortages prior to installation.
4. The product has not been installed, or attempts have been made to install.

We do not accept responsibility for any problems that may occur through incorrect installation. This product should only be installed by a suitably qualified plumber/installer.

Should the installation be completed by a non-qualified person any product guarantee maybe considered invalid.

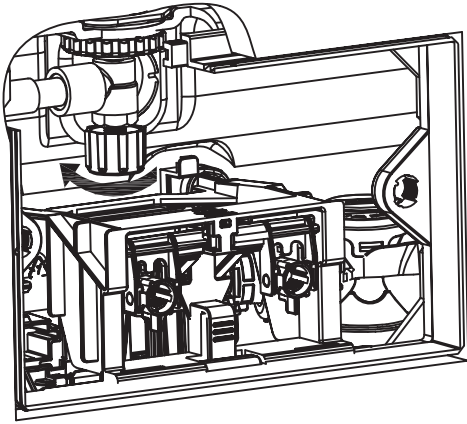
### **Tools Required (not supplied):**

INSTALLATION



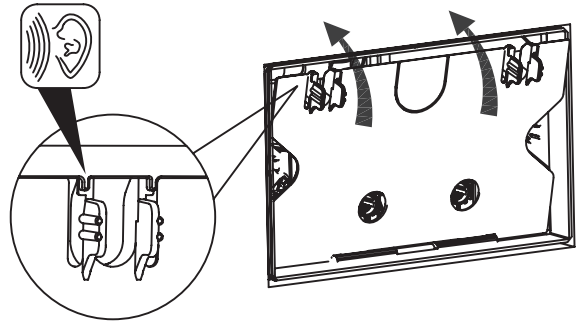
INSTALLATION

7

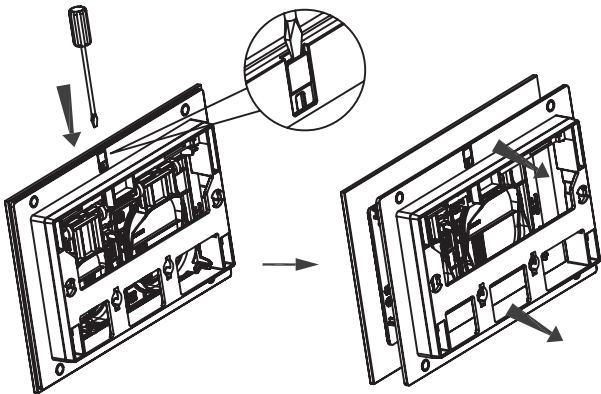


8

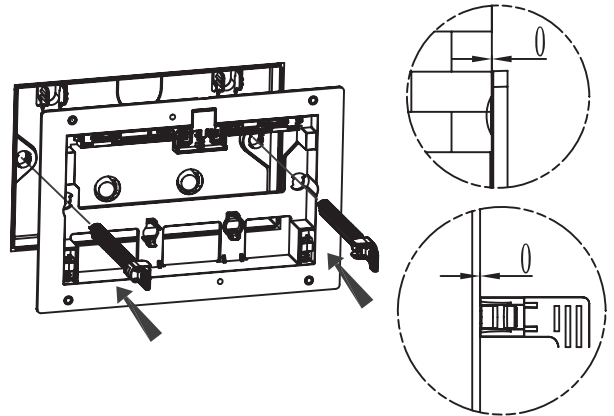
“Click”



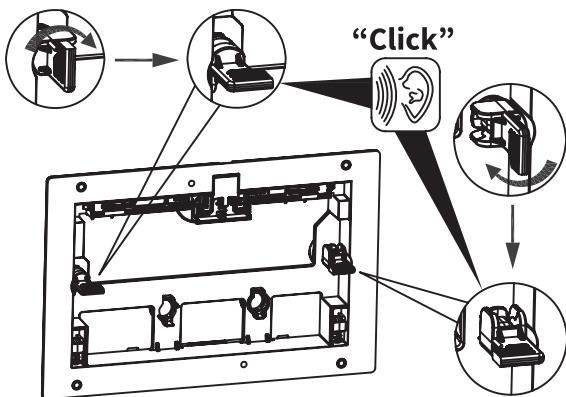
9



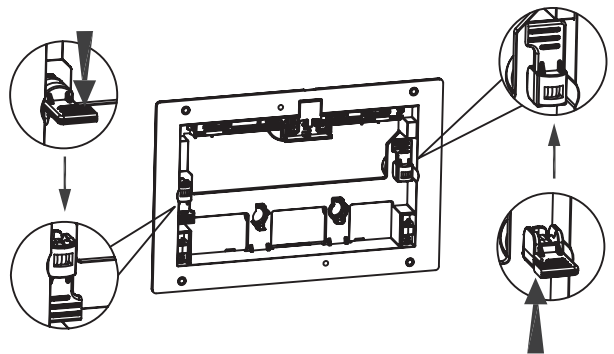
10



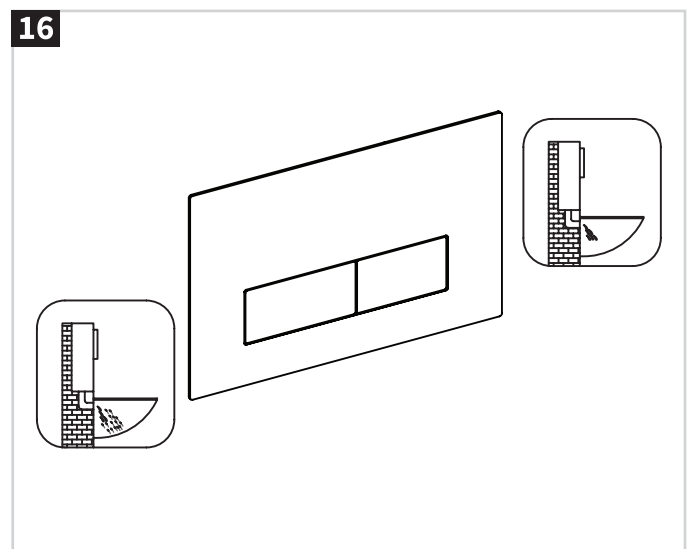
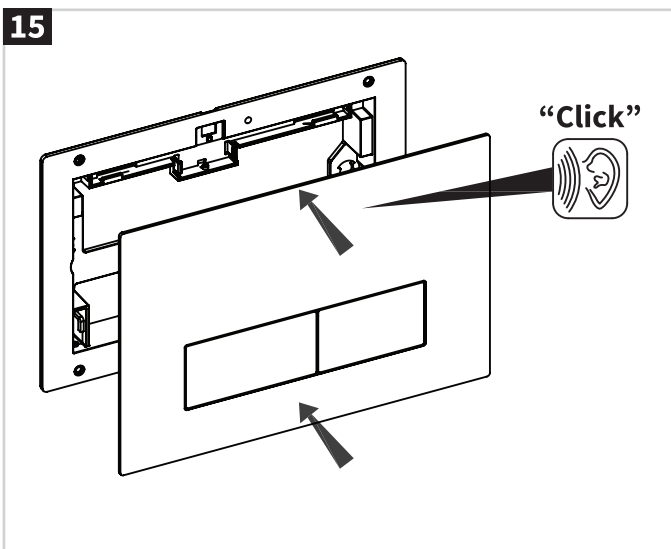
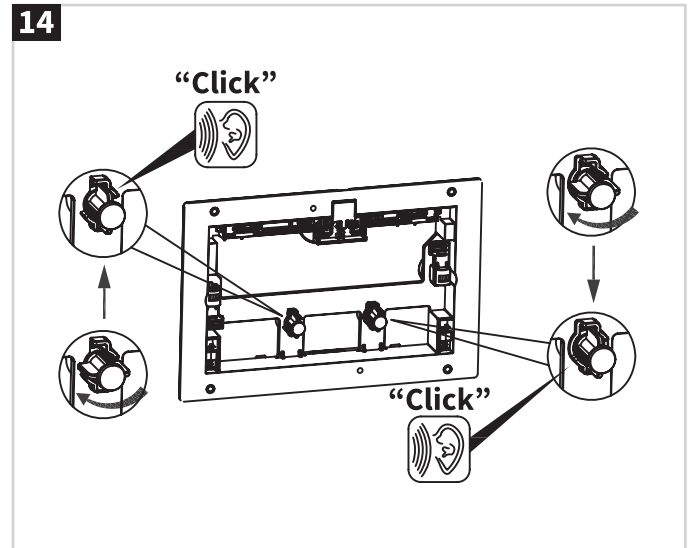
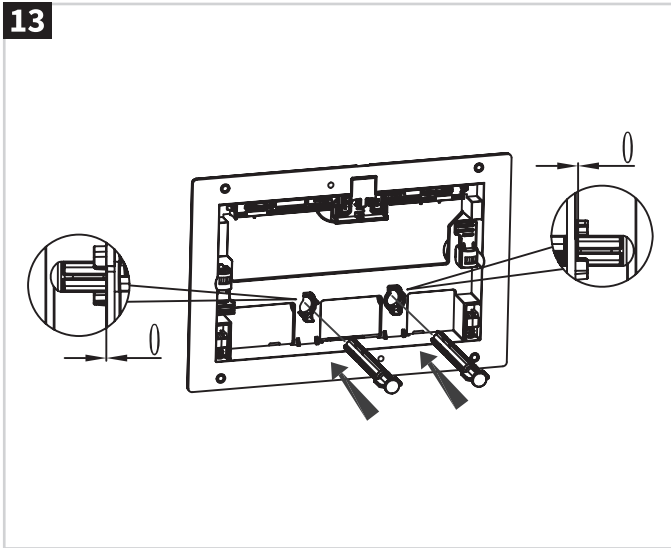
11



12



INSTALLATION



Compatible with concealed cisterns:

- WCC46X39R
- WCC51X51R
- WCF114X50R
- WCF114X51R
- WCF114X59R
- WCF80X45R
- WCF98X45R



## CARE & MAINTENANCE

Do not use cleaning agents containing chlorine, acids or abrasive agents which could damage the surface.  
Clean only with a soft cloth using a mild detergent and dry with a micro fibre cloth or similar.