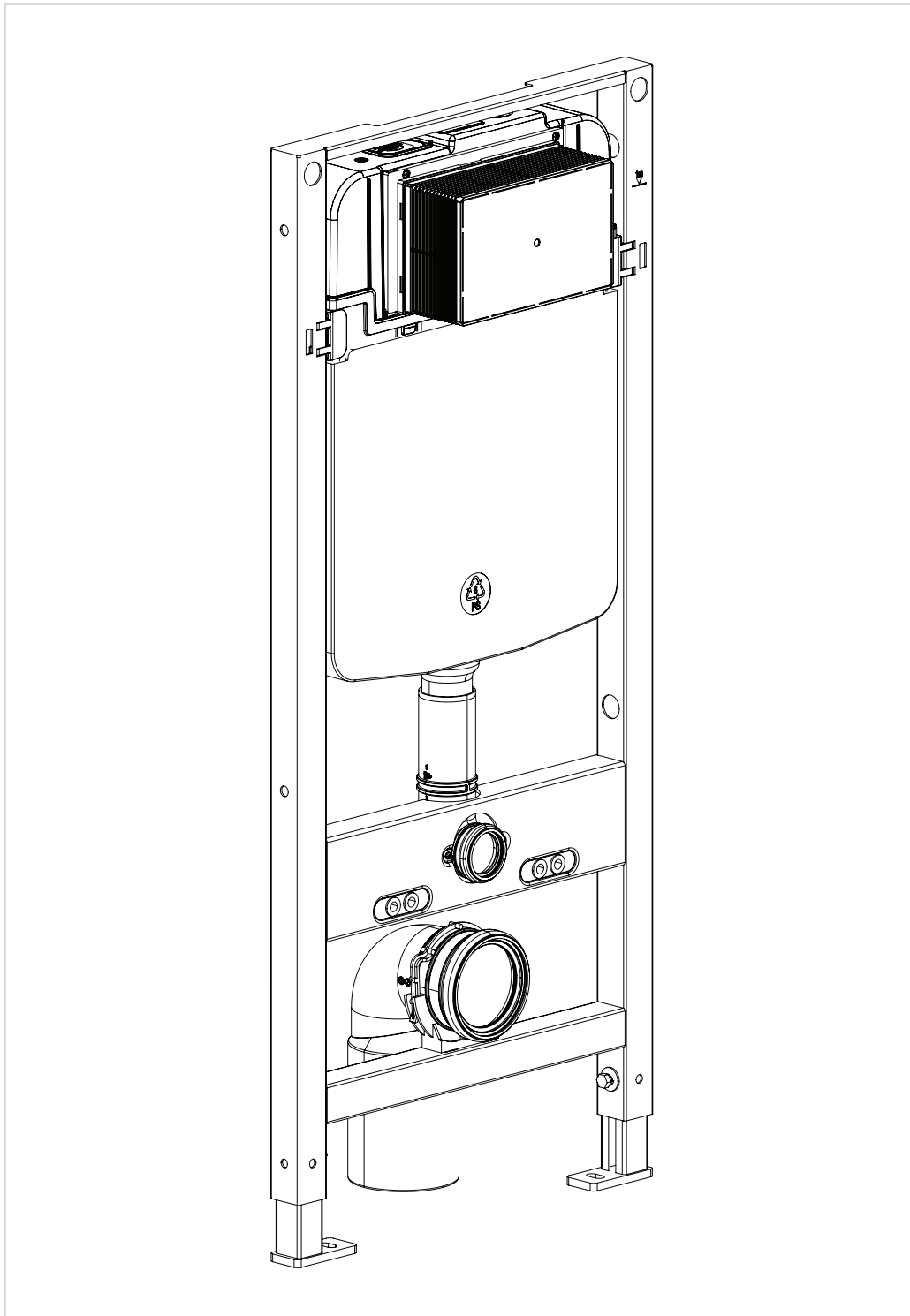


CISTERN & FRAME

Slim Depth WC Support Frame 1.12M Height



PRODUCT CODES:

WCF114X50R

BR_WCF114X50R



IMPORTANT INFORMATION BEFORE YOU START

Please read carefully and keep this information for reference. Thank you for buying a Bathroom Brands Product. To ensure that it works to its full potential, it needs to be fitted correctly. Check the contents of the pack carefully before installation.

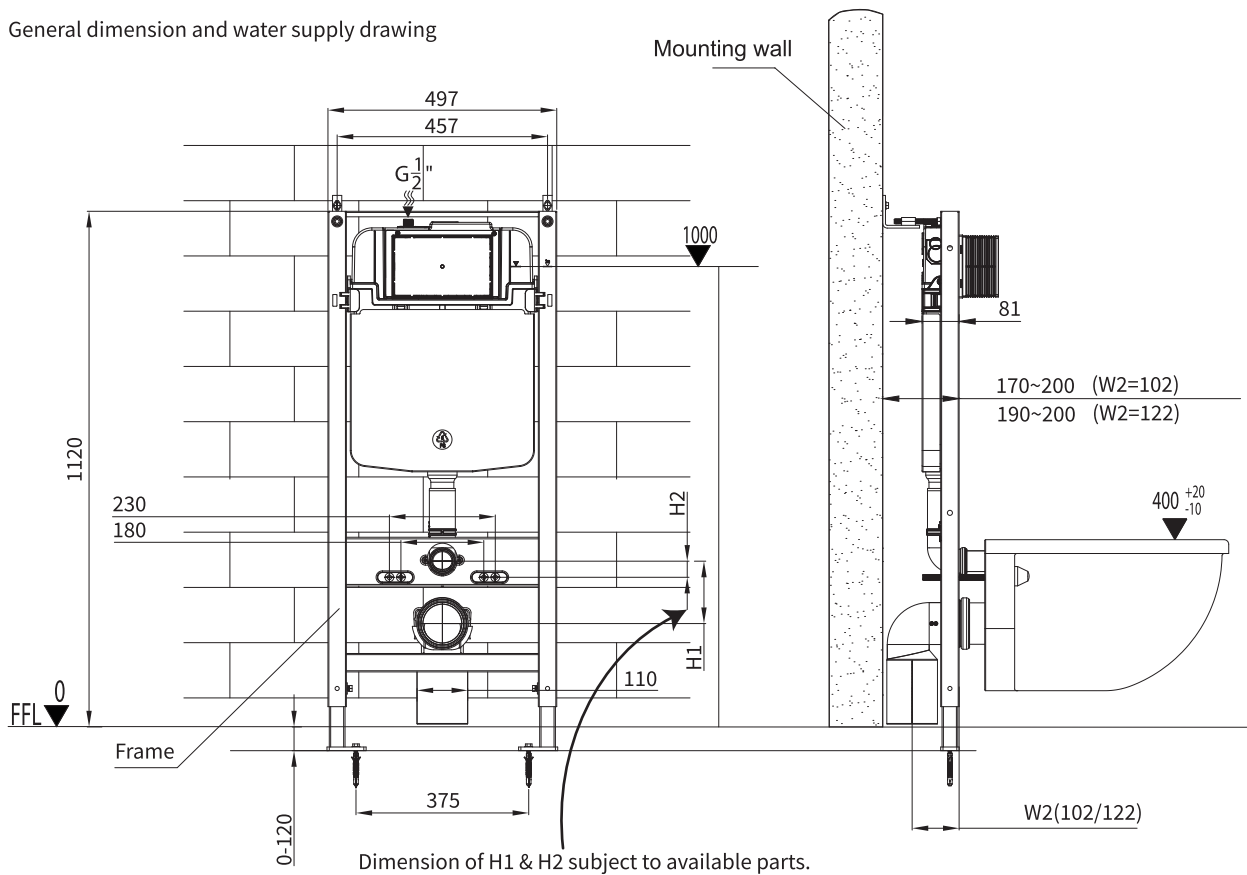
Bathroom Brands will not be held responsible for any re-fit costs where faulty product has been installed. If any fault is found with materials or workmanship, it must be reported immediately to the manufacturer. Remedial action will be taken based on information received, on condition that:

1. Full details are supplied to the manufacturer.
2. The product has not been modified or tampered with.
3. The manufacturer is informed of any damage/shortages prior to installation.
4. The product has not been installed, or attempts have been made to install.

We do not accept responsibility for any problems that may occur through incorrect installation. This product should only be installed by a suitably qualified plumber/installer.

Should the installation be completed by a non-qualified person any product guarantee maybe considered invalid.

General dimension and water supply drawing



INSTALLATION

2

Theoretical dimension of wall bracket outward installation: 510/404

Theoretical dimension of wall bracket inward installation: 510/404

1098

1000

FFL

375

A

B

Drill a hole of $\text{Ø}10 \times 75$ → insert expansion screw → fix the wall bracket into wall

Wall bracket can be mounted facing inward or outward. (The hole A distance will be different)

1

2

3

A (Inward)

A (Outward)

Drill a hole of $\text{Ø}10 \times 75$ → insert expansion screw

1

2

B

$\text{Ø}10 \times 75$

A dimension according to practical location of flushing pipe

Drill the holes and insert the expansion bolt. Note: Above are theoretical dimensions of the frame, please follow the practical location of frame.

3

"Click"

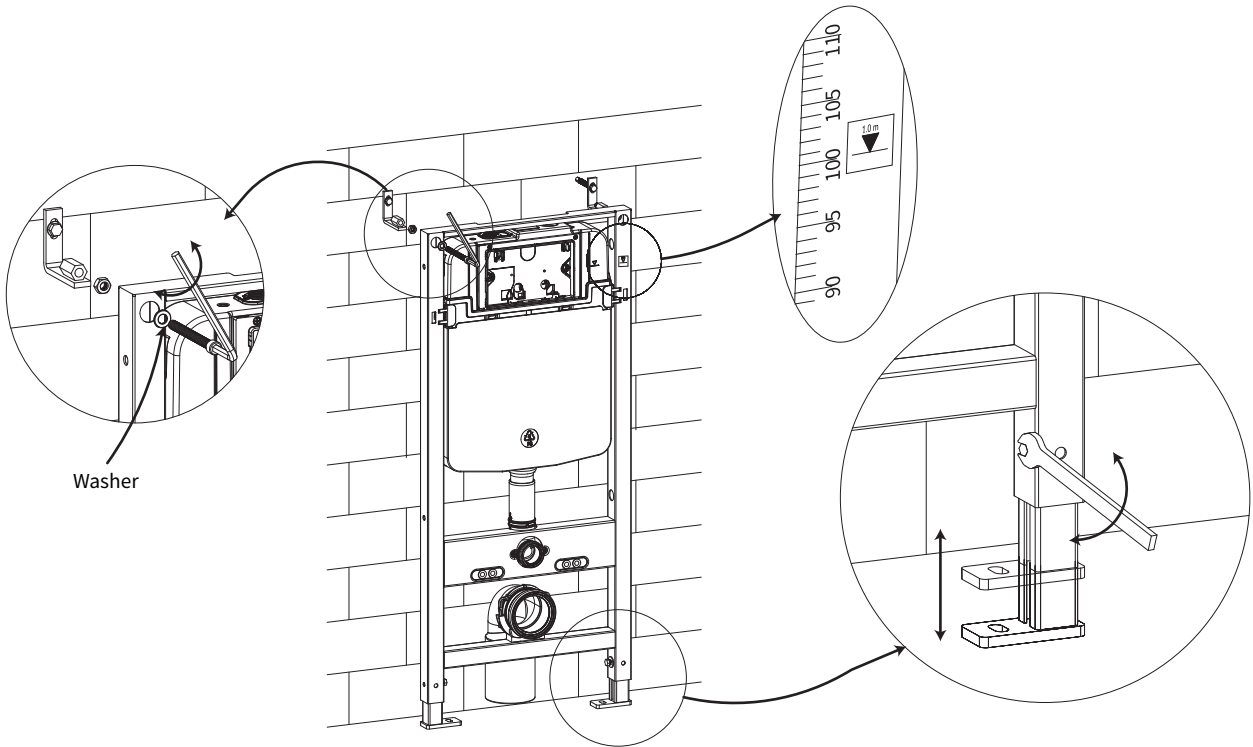
Connect the waste outlet pipe to the frame as shown

"Click"

"Click"

INSTALLATION

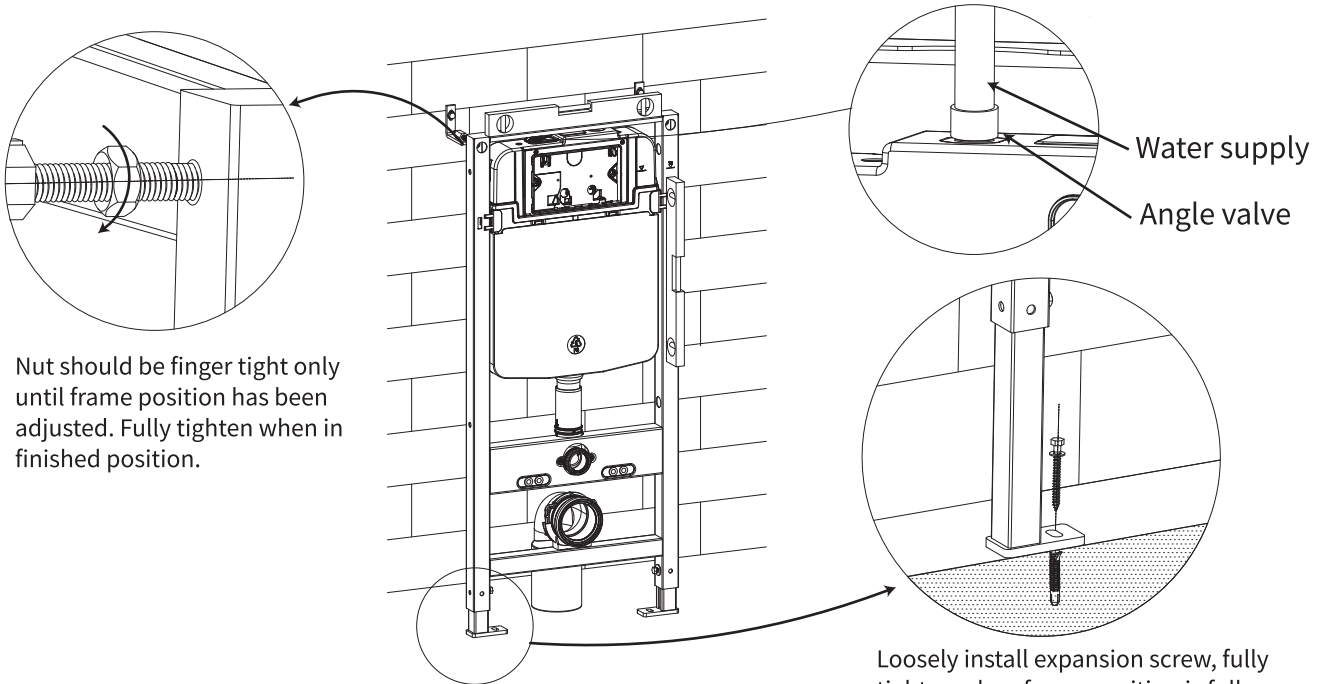
4



Washer

Adjust leg to desired height.

5



Water supply

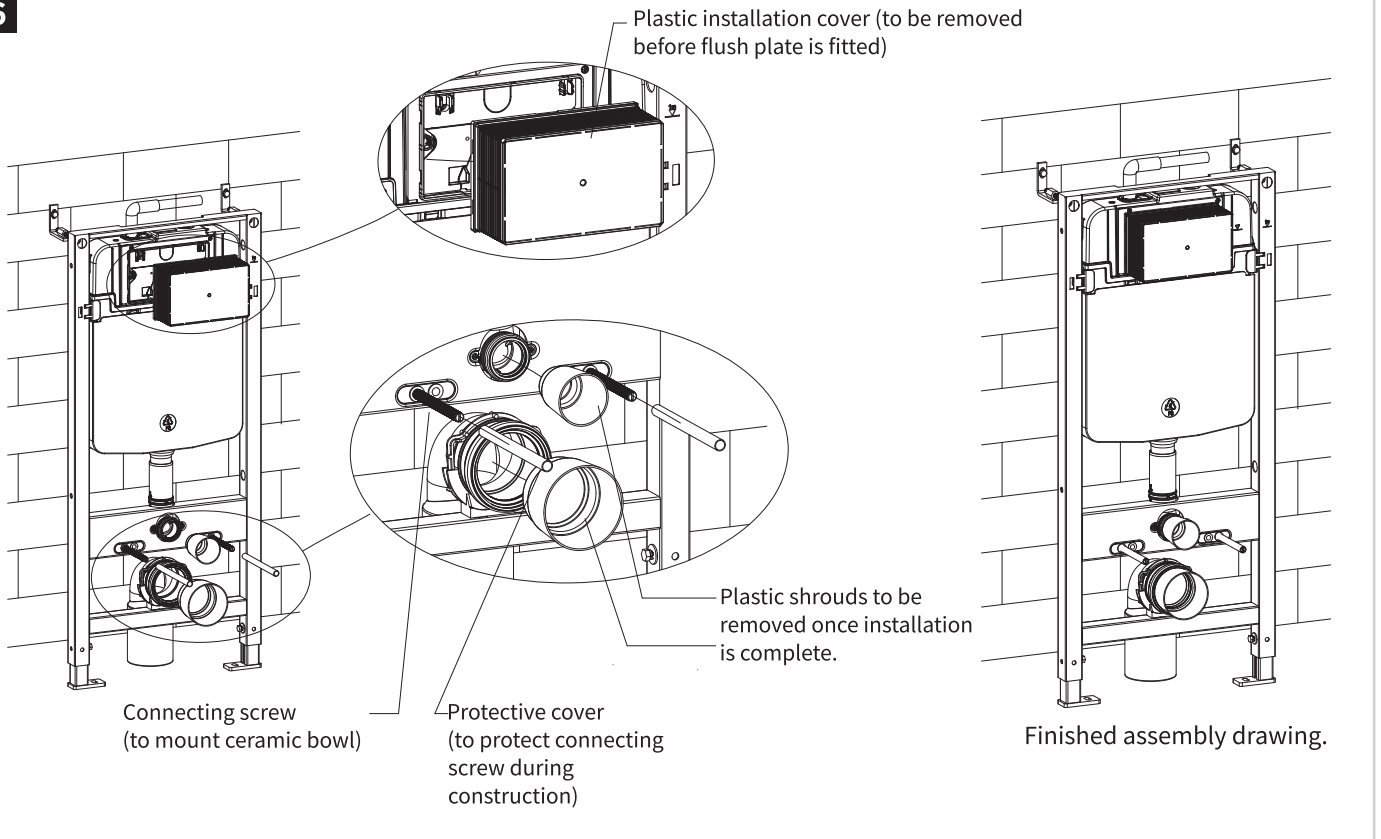
Angle valve

Nut should be finger tight only until frame position has been adjusted. Fully tighten when in finished position.

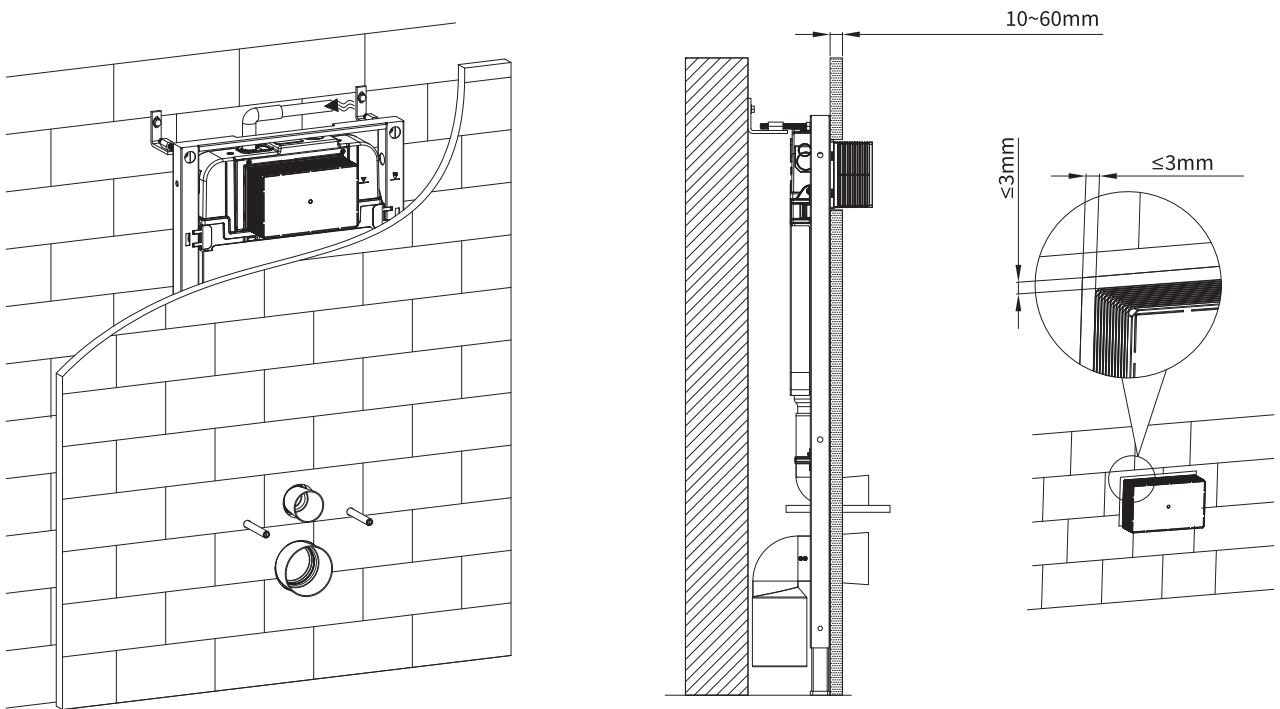
Loosely install expansion screw, fully tighten when frame position is fully adjusted.

INSTALLATION

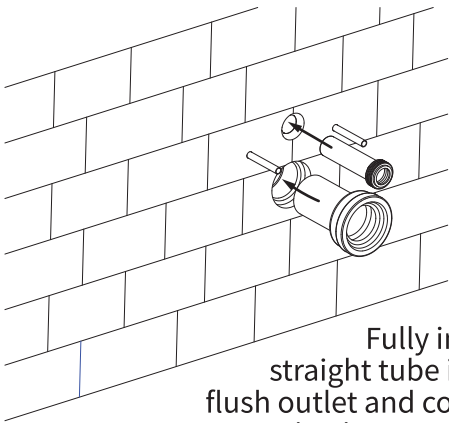
6



7

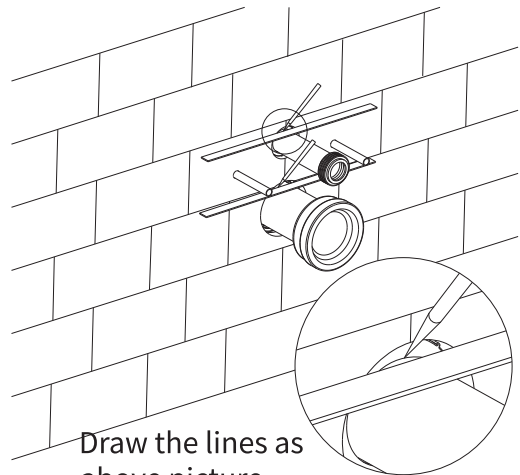


8



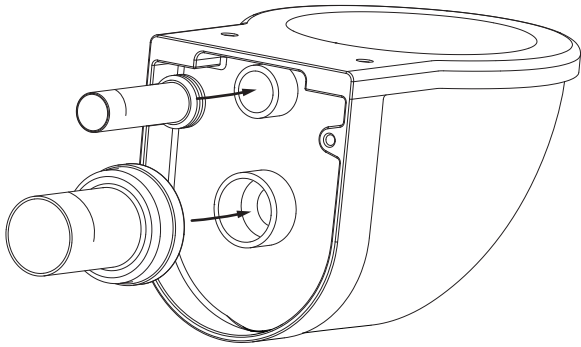
Fully insert the straight tube into cistern flush outlet and connecting pipe into waste outlet.

9



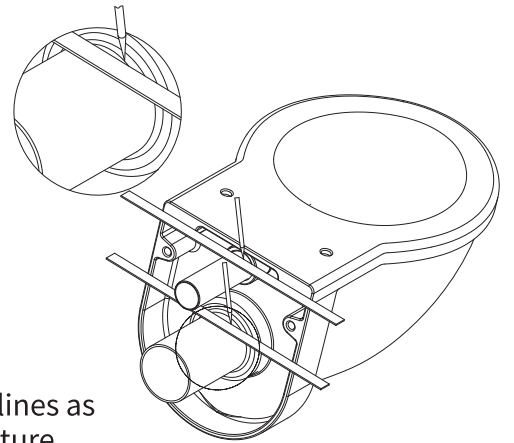
Draw the lines as above picture.

10



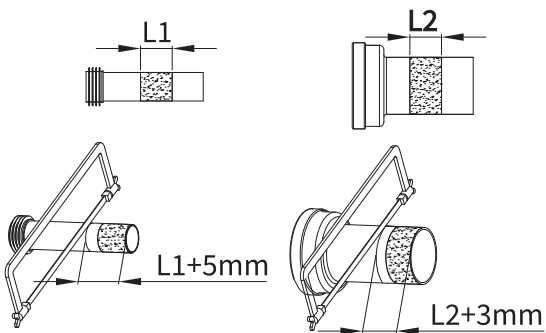
Connect flush and waste pipes to pan.

11



Draw the lines as above picture.

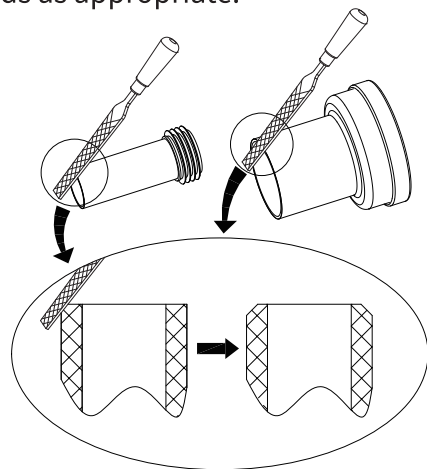
12



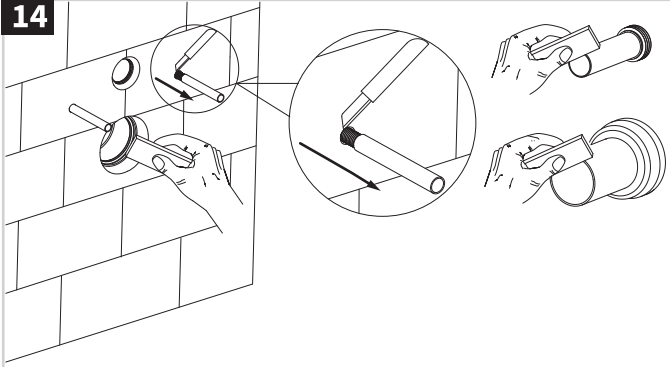
L1 is the distance between the two lines on straight tube. L2 is the distance between the two lines on connecting pipe. Cut the flush and waste pipe as per above.

13

Chamfer and deburr pipe ends as appropriate.

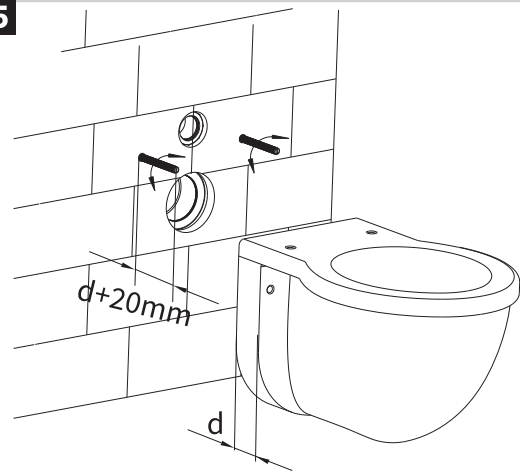


14



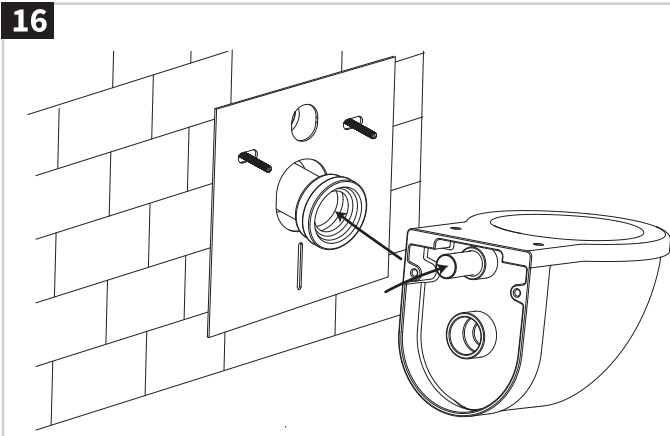
Cut the protection sleeve outside of the wall with a knife.

15



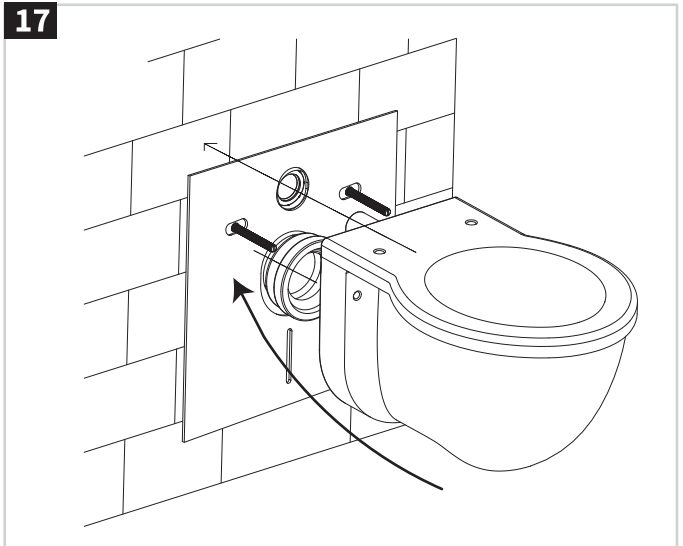
Adjust length of connecting bolt to be $d+20\text{mm}$.

16



Insert flush pipe connector in pan and waste pipe connector to frame.

17

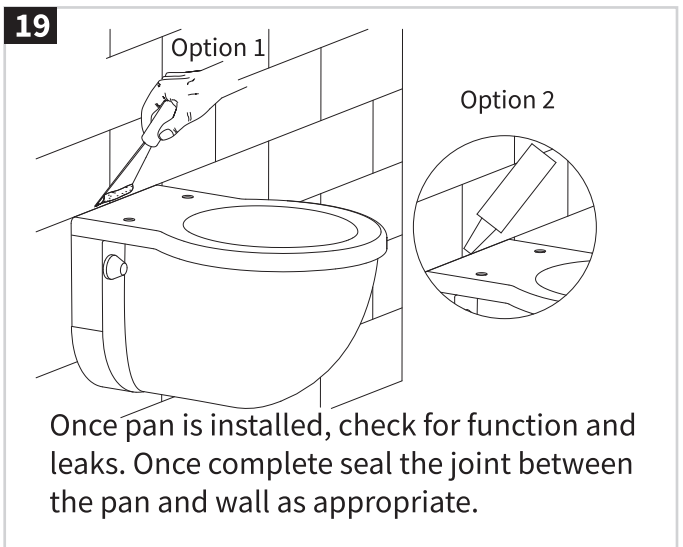


18



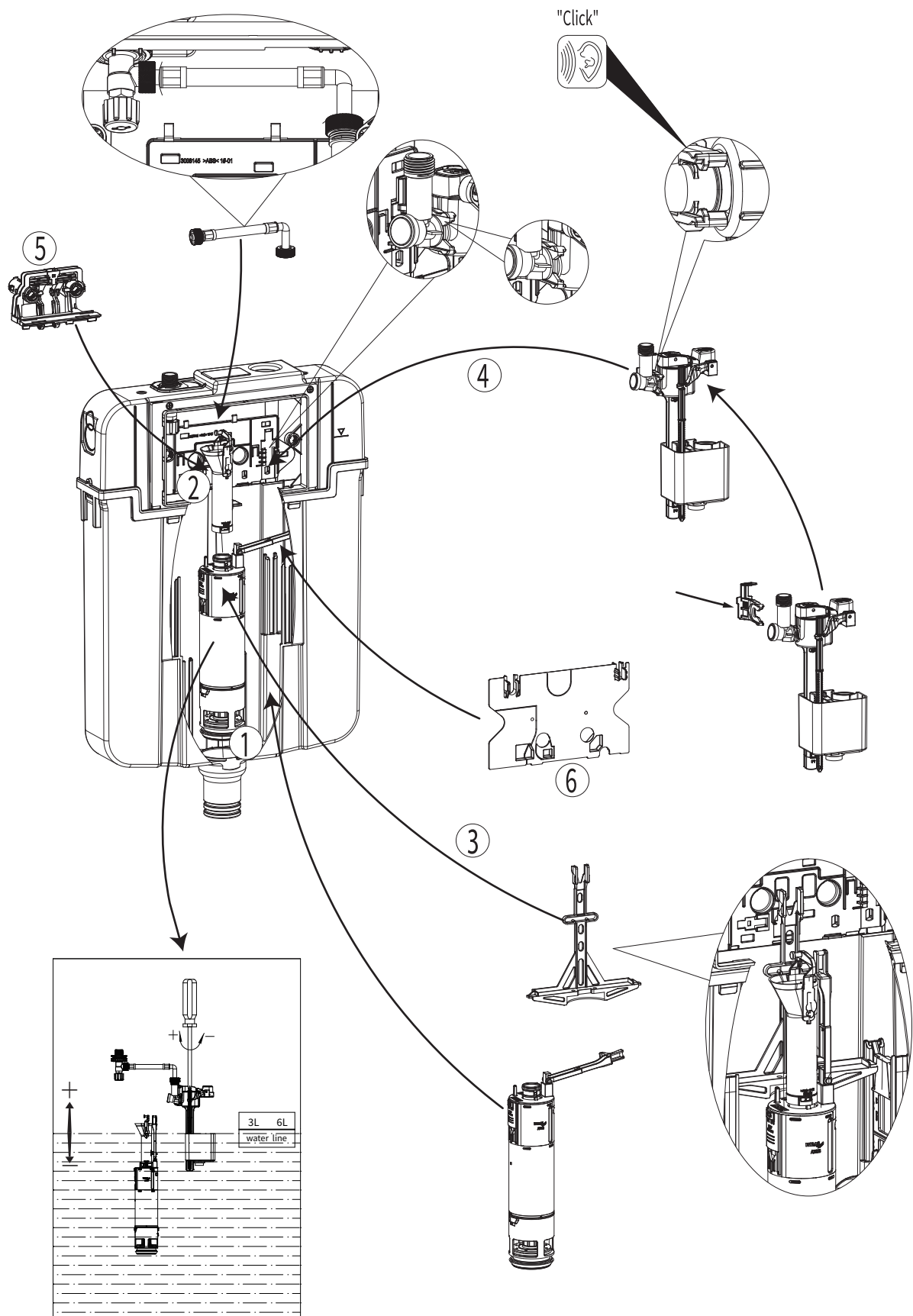
Once flush and waste pipes are properly seated secure the pan to the wall/frame with fixings supplied

19

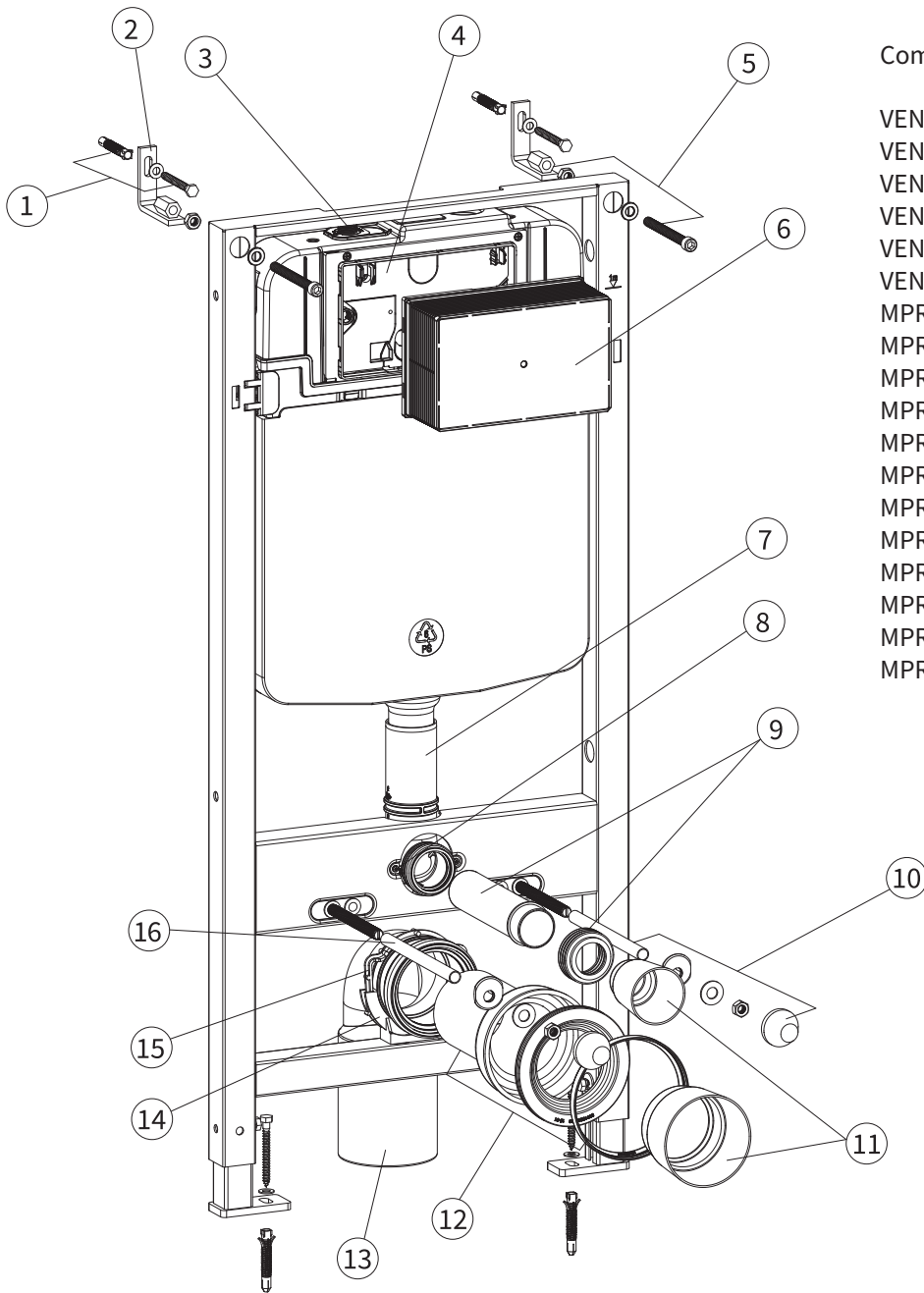


Once pan is installed, check for function and leaks. Once complete seal the joint between the pan and wall as appropriate.

Internal flushing mechanism assembly drawing



The internal flushing mechanism are already well-assembled and above picture only for reference.



Compatible with following flush plates:

- | | |
|-------------|--------------|
| VENFLUSHC | BR_VENFLUSHC |
| VENFLUSHB | BR_VENFLUSHB |
| VENFLUSHF | BR_VENFLUSHF |
| VENFLUSHV | BR_VENFLUSHV |
| VENFLUSHT | |
| VENFLUSHBZ | BURPLATEC |
| MPROFLUSHC | BURPLATEG |
| MPROFLUSHB | BURPLATEL |
| MPROFLUSHF | |
| MPROFLUSHV | |
| MPROFLUSHT | |
| MPROFLUSHBZ | |
| MPROSPATEC | |
| MPROSPATEB | |
| MPROSPATEF | |
| MPROSPATEV | |
| MPROSPATET | |
| MPROSPATEBZ | |

List of main installation accessories

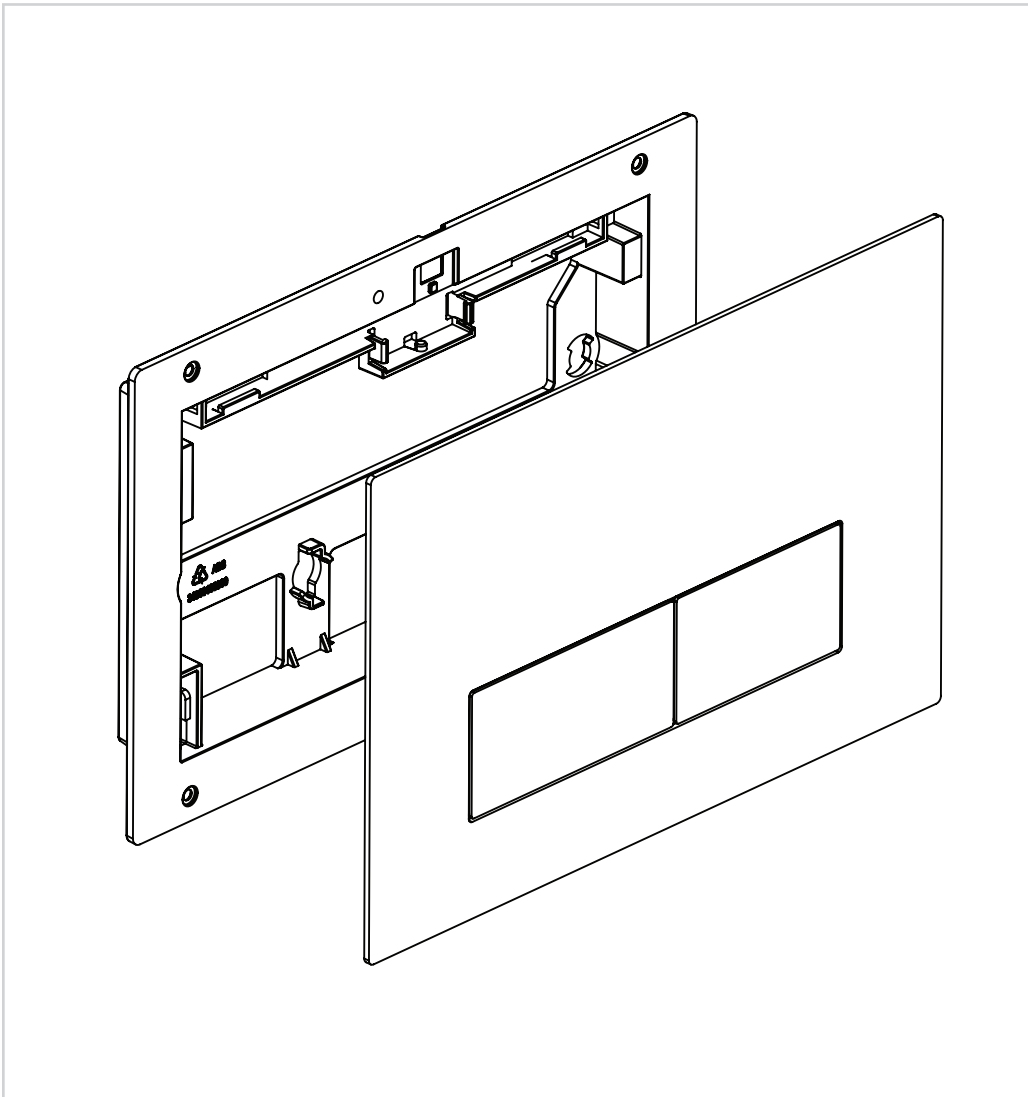
No.	Description	Qty	Function
1	Expansion screw	4	Fixation of frame
2	Wall bracket	2	
3	Angle valve	1	Fill valve inlet and shut-off
4	Cistern cover	1	Mounting of locking bracket
5	Socket head screw	2	Mounting of frame and locking into wall bracket
6	Plastic holder	1	To reserve space for installation of actuator at wall building
7	Connecting tube	1	Water inlet to ceramic bowl
8	Fixing screws	2	To fix connecting tube
9	Flushing piping	1	To joint cistern into ceramic bowl(cutting in accordance with wall thickness)
10	Connecting screw	2	To mount ceramic bowl
11	Piping stopper	2	To reserve space for flushing piping at wall building To reserve space for discharging piping at wall building
12	Connecting pipe	1	To joint drain pipe into ceramic bowl (cutting in accordance with wall thickness)
13	Draining syphon	1	To discharge liquid and solid waste from ceramic bowl
14	Mounting bracket	1	To mount draining syphon
15	Draining syphon holder	1	
16	Protective cover	2	To protect connecting screw at wall building

CARE & MAINTENANCE

Do not use cleaning agents containing chlorine, acids or abrasive agents which could damage the surface.
Clean only with a soft cloth using a mild detergent and dry with a micro fibre cloth or similar.

CISTERN & FRAME

FLUSH PLATE



PRODUCT CODES:

MPROSPLATEC
MPROSPLATEMB
MPROSPLATEF
MPROSPLATEV
MPROSPLATET
MPROSPLATEBZ

Actuation force <20N

BEFORE YOU START



IMPORTANT INFORMATION BEFORE YOU START

Please read carefully and keep this information for reference. Thank you for buying a Crosswater Product. To ensure that it works to its full potential, it needs to be fitted correctly. Check the contents of the pack carefully before installation.

Bathroom Brands will not be held responsible for any re-fit costs where faulty product has been. If any fault is found with materials or workmanship, it must be reported immediately to the manufacturer. Remedial action will be taken based on information received, on condition that:

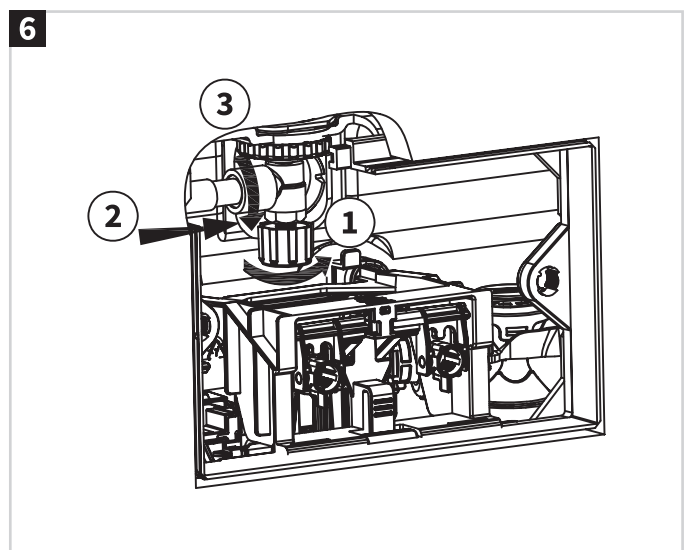
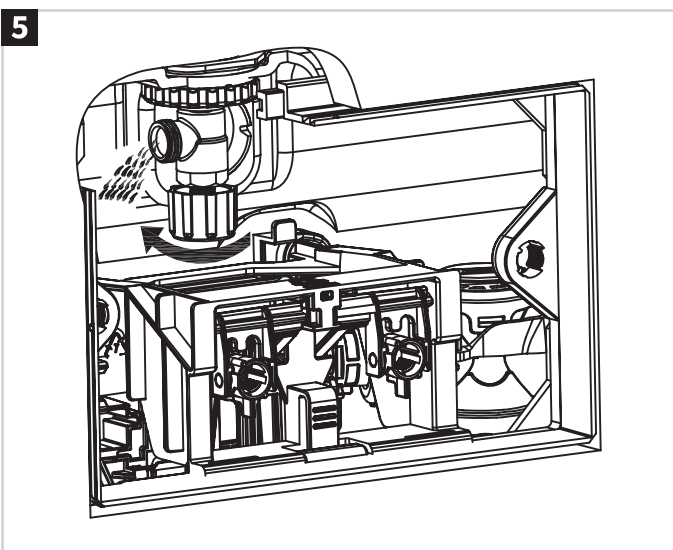
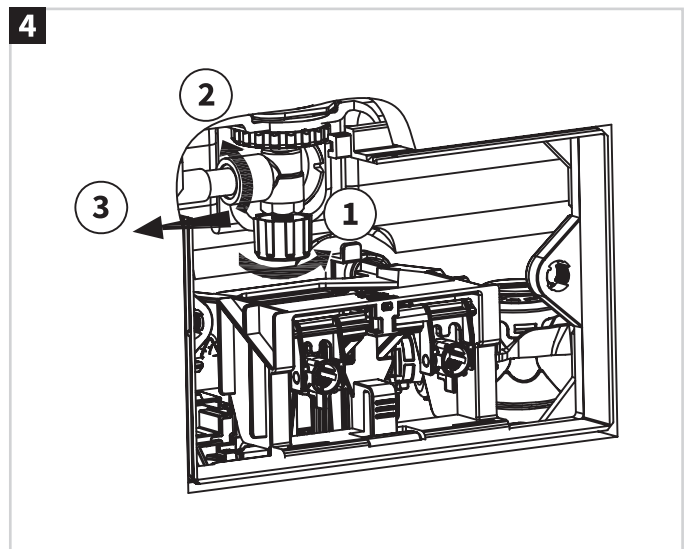
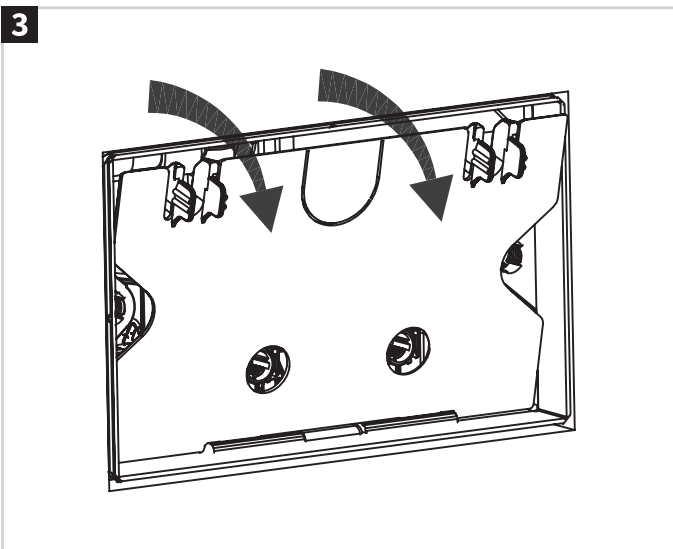
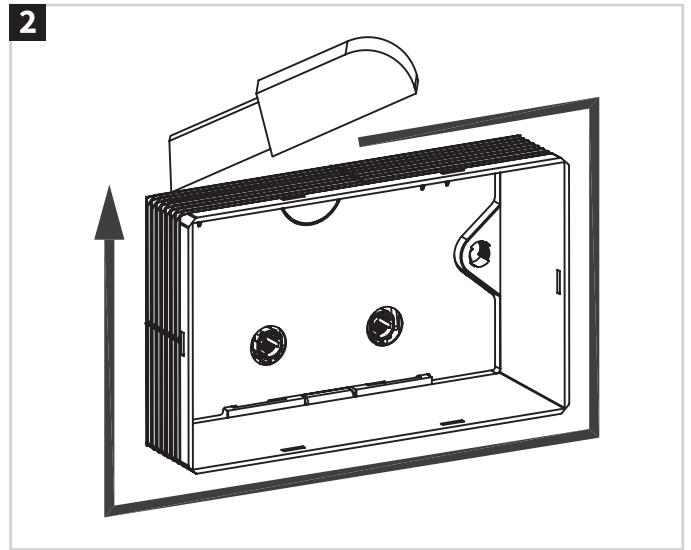
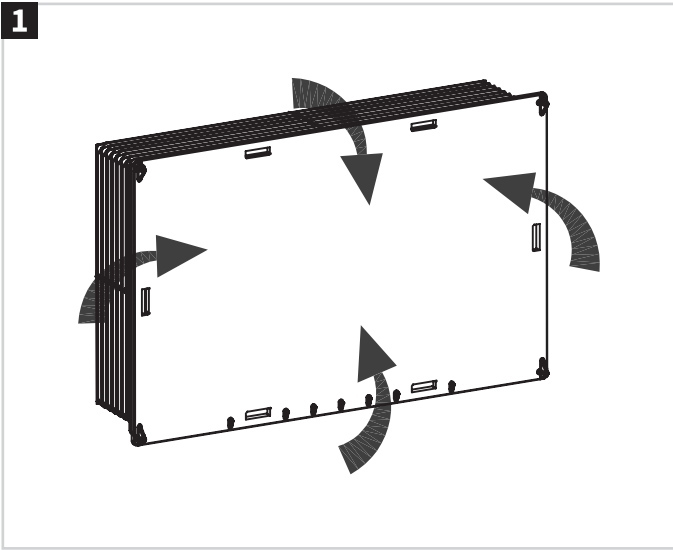
1. Full details are supplied to the manufacturer.
2. The product has not been modified or tampered with.
3. The manufacturer is informed of any damage/shortages prior to installation.
4. The product has not been installed, or attempts have been made to install.

We do not accept responsibility for any problems that may occur through incorrect installation. This product should only be installed by a suitably qualified plumber/installer.

Should the installation be completed by a non-qualified person any product guarantee maybe considered invalid.

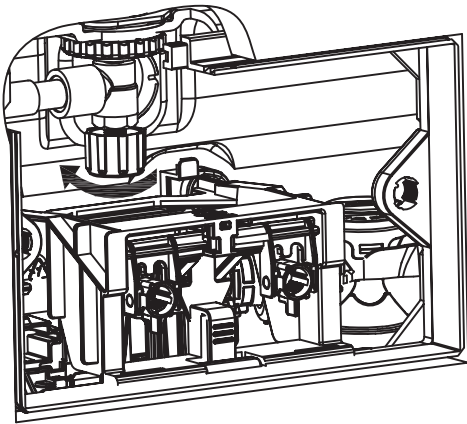
Tools Required (not supplied):

INSTALLATION

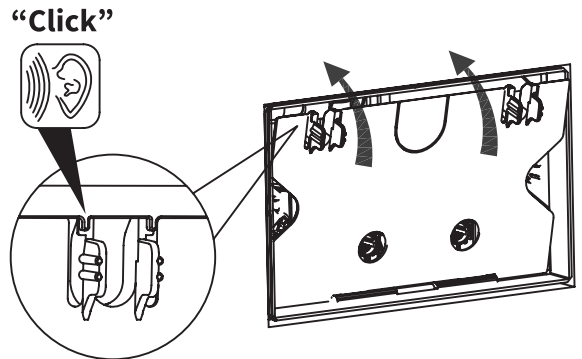


INSTALLATION

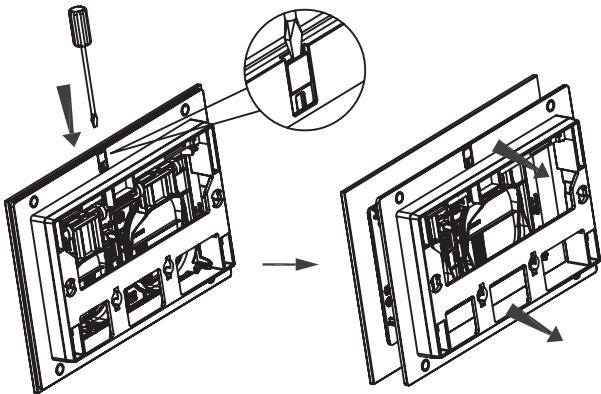
7



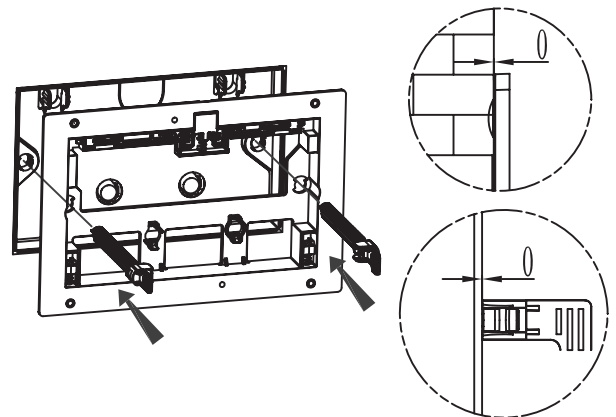
8



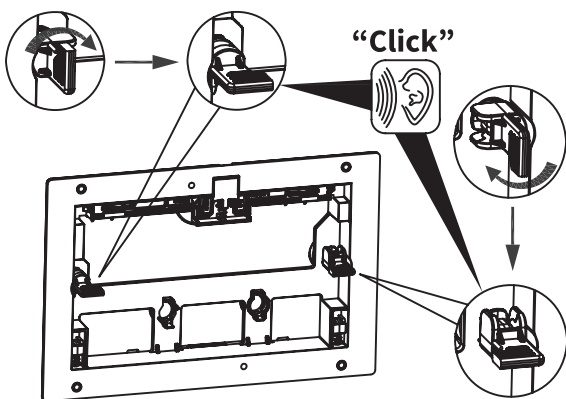
9



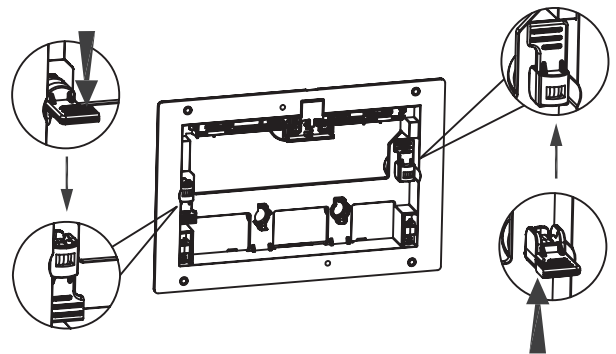
10



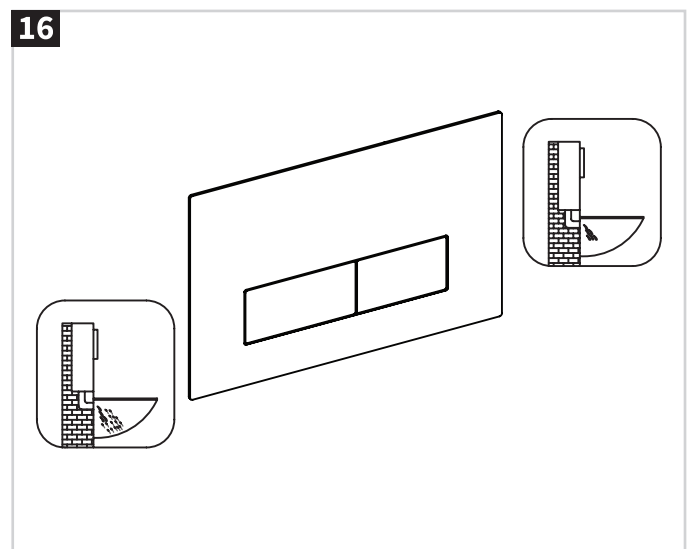
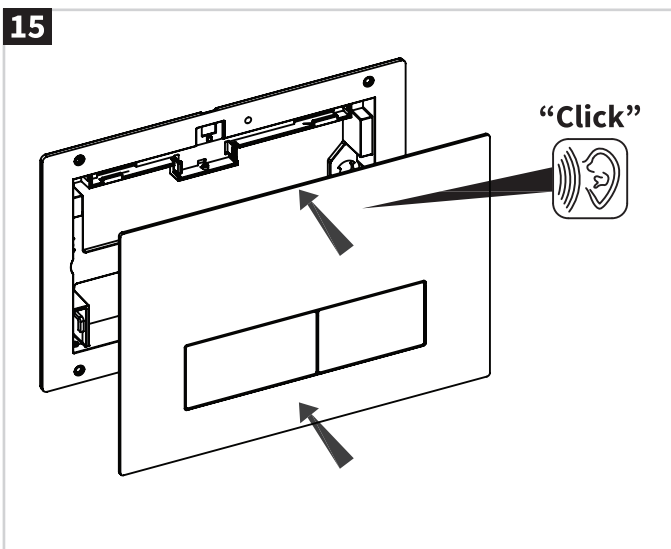
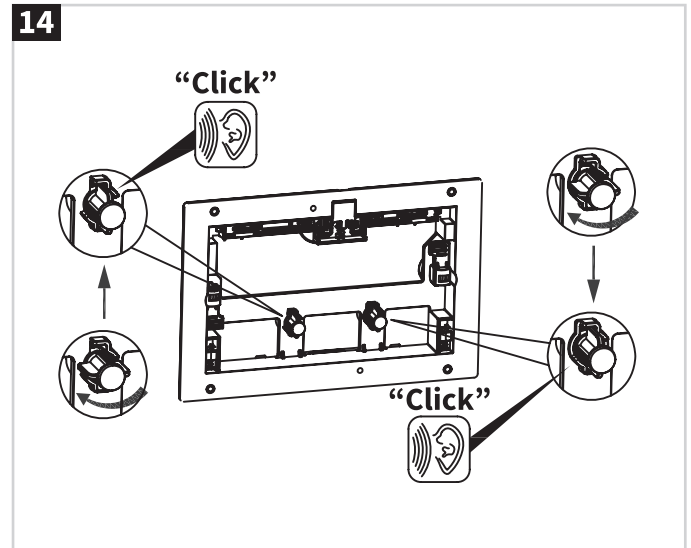
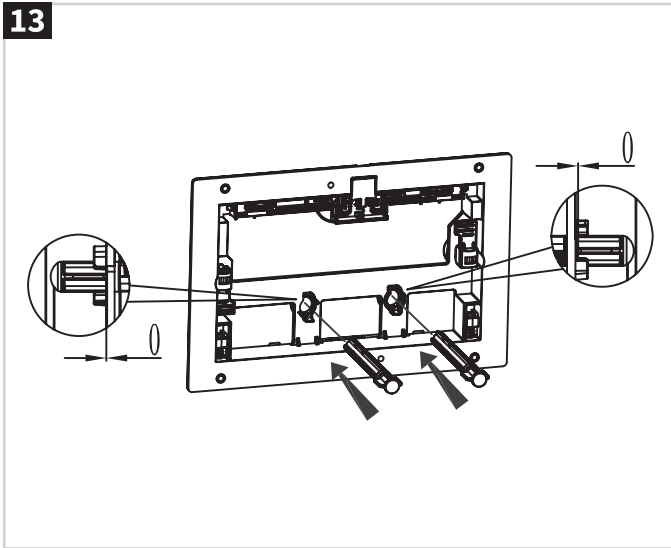
11



12



INSTALLATION



Compatible with concealed cisterns:

- WCC46X39R
- WCC51X51R
- WCF114X50R
- WCF114X51R
- WCF114X59R
- WCF80X45R
- WCF98X45R

CARE & MAINTENANCE

Do not use cleaning agents containing chlorine, acids or abrasive agents which could damage the surface.
Clean only with a soft cloth using a mild detergent and dry with a micro fibre cloth or similar.