

# PRODUCT DATA SHEET



## PRODUCT CODE

WCF114X50R

## RANGE

Toilet Cisterns

## DESCRIPTION

Slim Depth WC Support Frame 1.12M Height (with dual flush concealed cistern & installation kit)

## WEBSITE LINK

[Click Here](#)

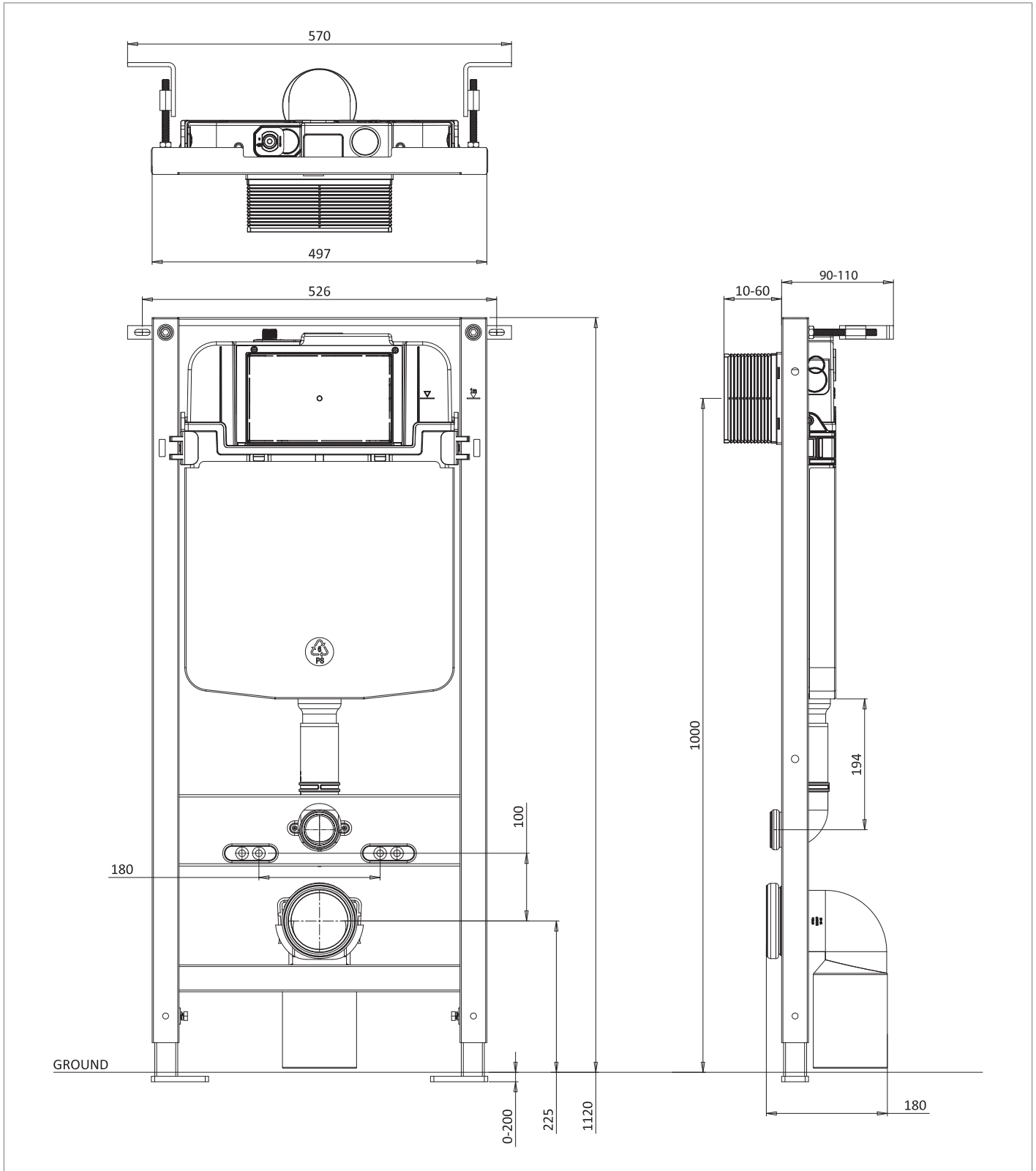
|                       |                |
|-----------------------|----------------|
| CATEGORY              | Sanitaryware   |
| WARRANTY DETAILS      | 5 Years        |
| PRIMARY MATERIAL      | Steel          |
| SECONDARY MATERIAL    | Plastic        |
| INSTALL TYPE          | Floor Standing |
| PRODUCT WIDTH MM      | 497            |
| PRODUCT HEIGHT MM     | 1120           |
| PRODUCT LENGTH MM     | 81             |
| PRODUCT NET WEIGHT KG | 13.02          |

|                         |  |
|-------------------------|--|
| STANDARDS               | BS EN 14055:2018                       |
| APPROVAL                | WRAS - 2212365                         |
| FIXINGS INCLUDED        | Yes                                    |
| FLUSH VOLUME            | 6/3L                                   |
| FIXING TYPE             | Floor fixing                           |
| CISTERN FLUSH MECHANISM | Dual Flush with Mechanical Flush Plate |
| NOISE CLASS             | Group I                                |

## TECHNICAL DIMENSIONS

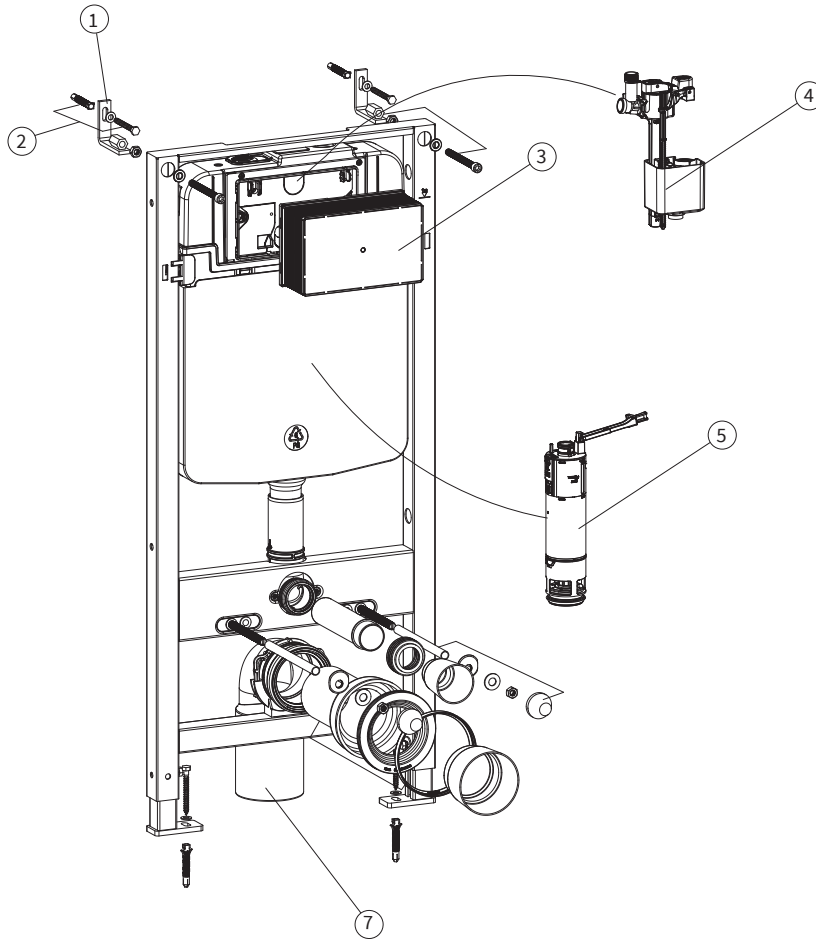
Dimensions in mm unless otherwise specified.

Tolerances (per material type) apply.



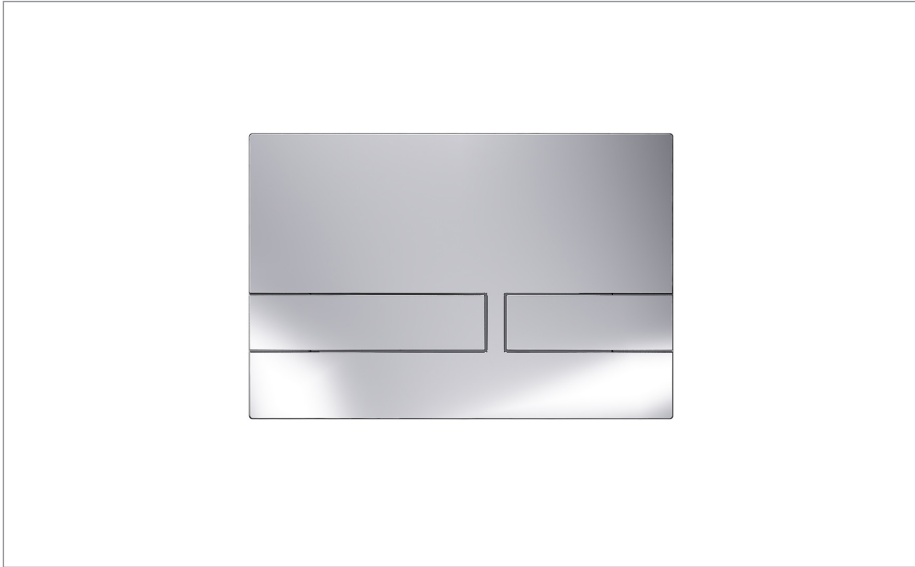
## SPARES LIST

Only the parts labelled are available as spares.



| NUMBER | PART CODE | DESCRIPTION   |
|--------|-----------|---|
| 1      | CWSP002   | Replacement fixing bracket for WCF114X50R               |
| 2      | CWSP004   | Replacement expansion bolt for concealed frames         |
| 3      | CWSP011   | Flush plate mounting assembly for WCF114X50R            |
| 4      | CWSP022   | Replacement fill valve for WCF114X50R                   |
| 5      | CWSP025   | Replacement flush valve for WCF114X50R                  |
| 6      | CWSP027   | Replacement flush rod for concealed cisterns and frames |
| 7      | CWSP028   | Replacement waste pipe for concealed frames             |

# PRODUCT DATA SHEET



## PRODUCT CODE

VENFLUSHC

## RANGE

Venue

## DESCRIPTION

Venue Flush Plate Chrome

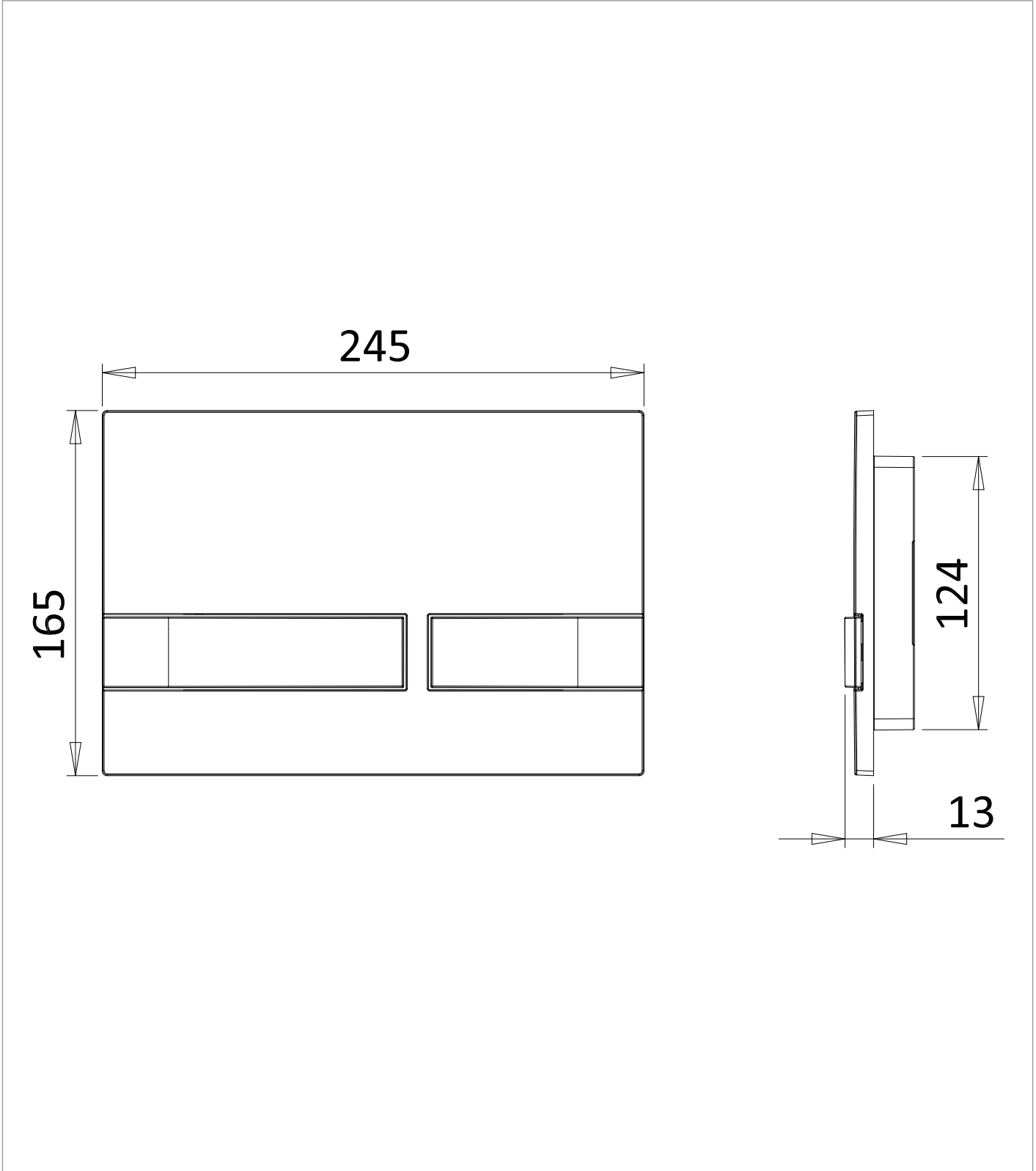
|                       |               |
|-----------------------|---------------|
| CATEGORY              | Sanitaryware  |
| WARRANTY DETAILS      | 2 Years       |
| COLOUR                | Chrome        |
| FINISH APPLICATION    | Electroplated |
| PRIMARY MATERIAL      | ABS           |
| INSTALL TYPE          | Wall Mounted  |
| PRODUCT WIDTH MM      | 245           |
| PRODUCT HEIGHT MM     | 165           |
| PRODUCT DEPTH MM      | 31            |
| PRODUCT NET WEIGHT KG | 0.34          |

|                         |                       |
|-------------------------|-----------------------|
| FIXINGS INCLUDED        | Yes                   |
| CISTERN FLUSH MECHANISM | Dual Flush Mechanical |

## TECHNICAL DIMENSIONS

Dimensions in mm unless otherwise specified.

Tolerances (per material type) apply.



## SPARES LIST

Only the parts labelled are available as spares.

NO SPARES AVAILABLE