

SPECIFICATIONS

DESCRIPTION

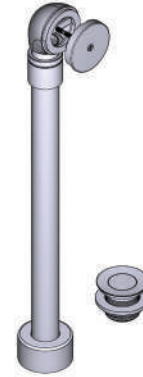
- Special bath waste kit

STANDARDS

- WMTS 040 (2022)

WARRANTY

- Visit www.houseofrohl.uk for more information

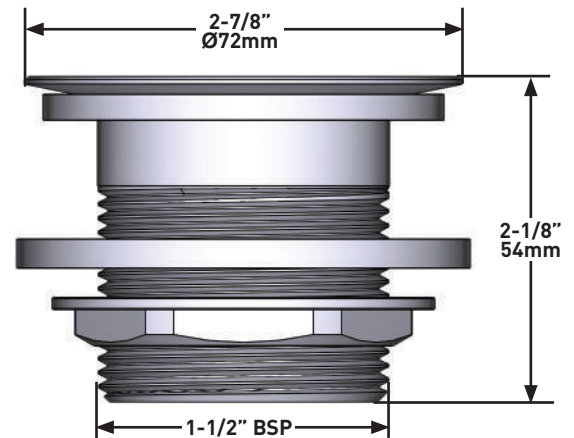
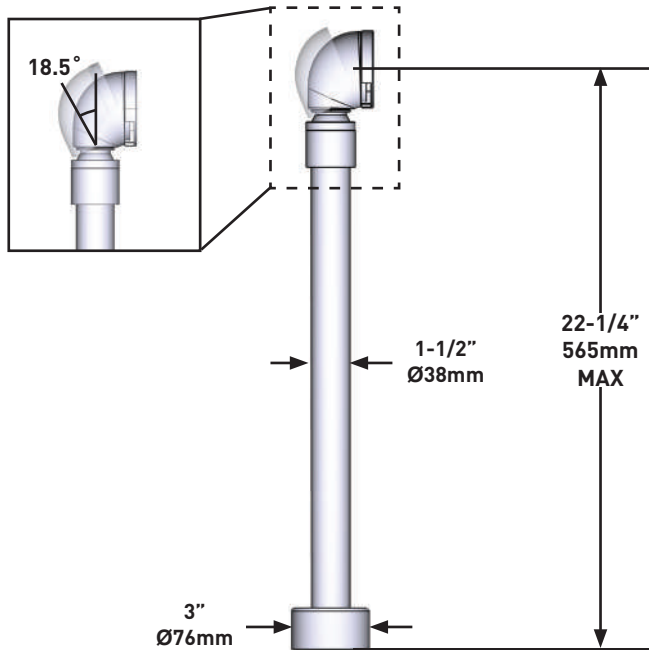


Waste Kit

MODELS: K-17 series



ATS 5200.040
WM-022679



For care and cleaning, product warranty, and additional information contact:

US Customers

U.S.A.
houseofrohl.com/support
1-800-777-9762

Canadian Customers

QUEBEC / MARITIMES / WESTERN CANADA
QUÉBEC / MARITIMES / OUEST CANADIEN
QUEBEC / MARITIMOS / CANADA OCCIDENTAL
houseofrohl.ca/support
1-866-473-8442

EMEA Customers

UNITED KINGDOM
www.houseofrohl.uk
01952 221100

