

# PRODUCT DATA SHEET



## PRODUCT CODE

PRO012V

## RANGE

MPRO

## DESCRIPTION

MPRO Freestanding Soap Dispenser  
Brushed Nickel

## WEBSITE LINK

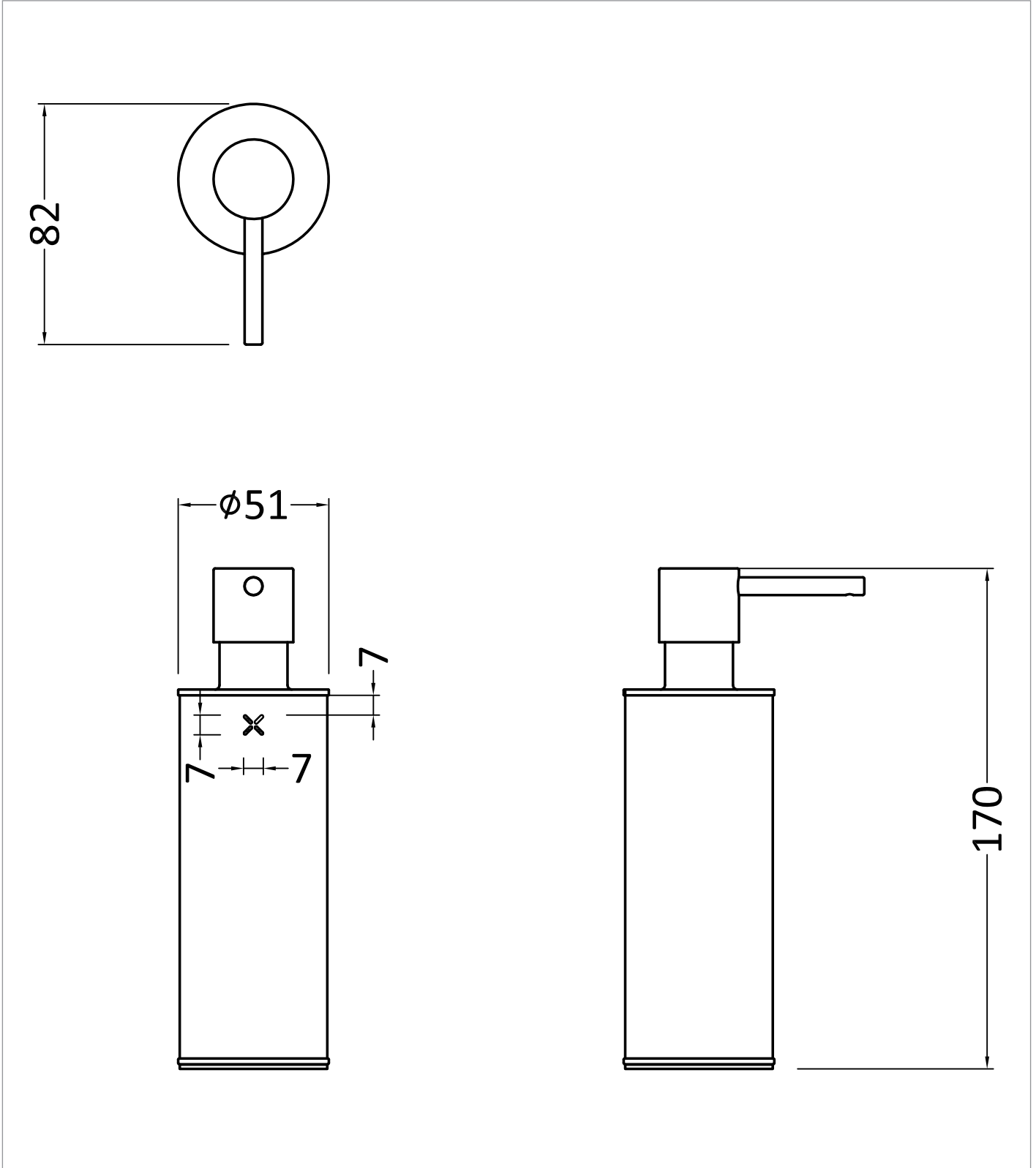
[Click Here](#)

CATEGORY	Accessories
WARRANTY DETAILS	15 Years
COLOUR	Brushed Nickel
FINISH APPLICATION	PVD
PRIMARY MATERIAL	304 Stainless Steel
SECONDARY MATERIAL	Brass
INSTALL TYPE	Floor Standing
PRODUCT WIDTH MM	51
PRODUCT HEIGHT MM	170
PRODUCT DEPTH MM	82
PRODUCT NET WEIGHT KG	0.38

## TECHNICAL DIMENSIONS

Dimensions in mm unless otherwise specified.

Tolerances (per material type) apply.



## SPARES LIST

Only the parts labelled are available as spares.

NUMBER	PART CODE	DESCRIPTION
1	PRO00007BZ	MPRO Spray Head For Soap Dispenser Brushed Bronze
	PRO00007T	MPRO Spray Head For Soap Dispenser Slate
	PRO00007V	MPRO Spray Head For Soap Dispenser Brushed Stainless
	PRO00007F	MPRO Spray Head For Soap Dispenser Brushed Brass
	PRO00007M	MPRO Spray Head For Soap Dispenser Matt Black
	PRO00007C	MPRO Spray Head For Soap Dispenser Chrome

# PRODUCT DATA SHEET



## PRODUCT CODE

PRO004V

## RANGE

MPRO

## DESCRIPTION

MPRO Freestanding Tumbler Holder  
Brushed Nickel

## WEBSITE LINK

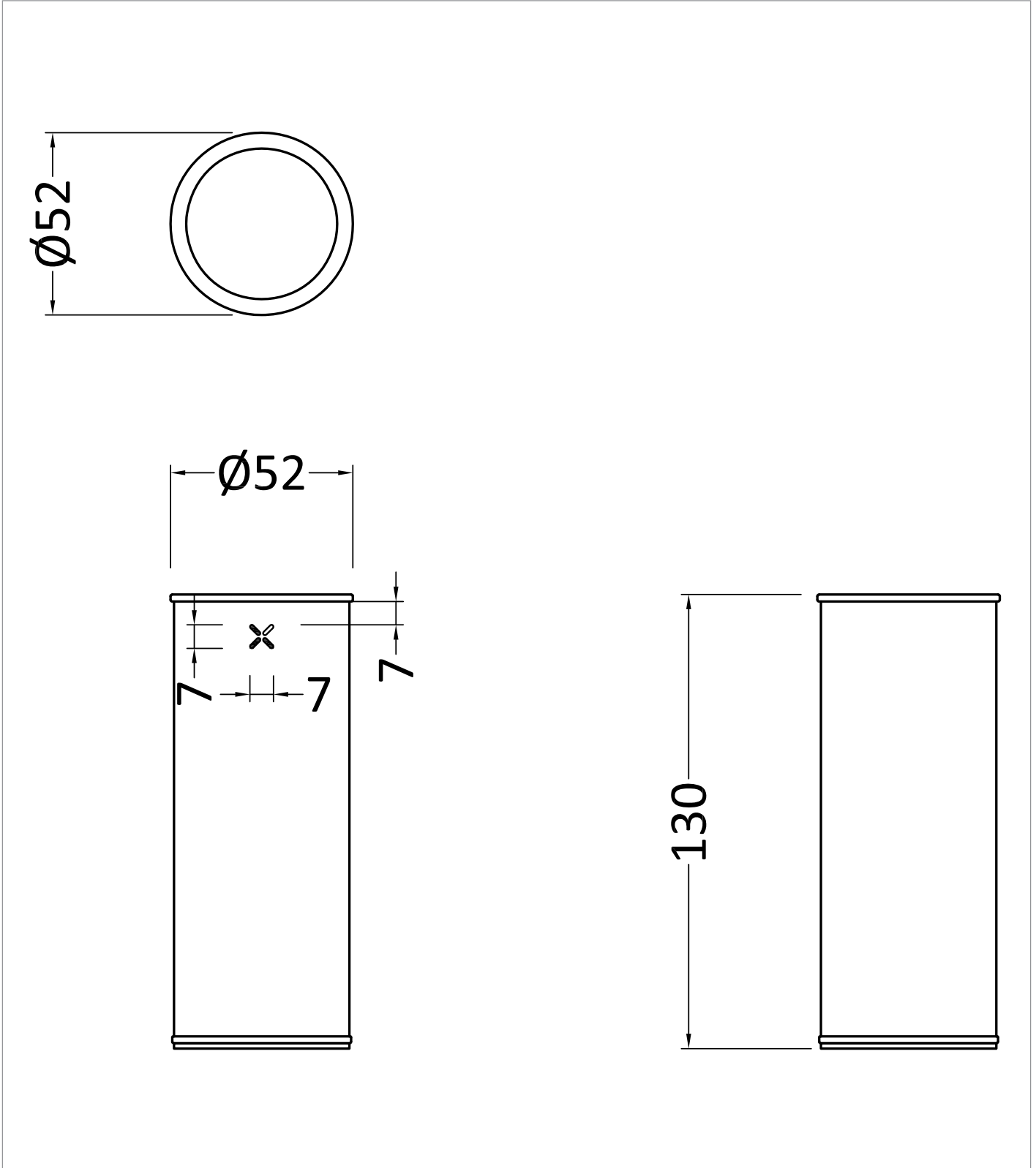
[Click Here](#)

CATEGORY	Accessories
WARRANTY DETAILS	15 Years
COLOUR	Brushed Nickel
FINISH APPLICATION	PVD
PRIMARY MATERIAL	304 Stainless Steel
SECONDARY MATERIAL	Brass
INSTALL TYPE	Floor Standing
PRODUCT WIDTH MM	52
PRODUCT HEIGHT MM	130
PRODUCT DEPTH MM	52
PRODUCT NET WEIGHT KG	0.23

## TECHNICAL DIMENSIONS

Dimensions in mm unless otherwise specified.

Tolerances (per material type) apply.



## SPARES LIST

Only the parts labelled are available as spares.

**NO SPARES AVAILABLE**

# PRODUCT DATA SHEET



## PRODUCT CODE

PRO026V

## RANGE

MPRO

## DESCRIPTION

MPRO Freestanding Toilet Brush Holder  
Brushed Nickel

## WEBSITE LINK

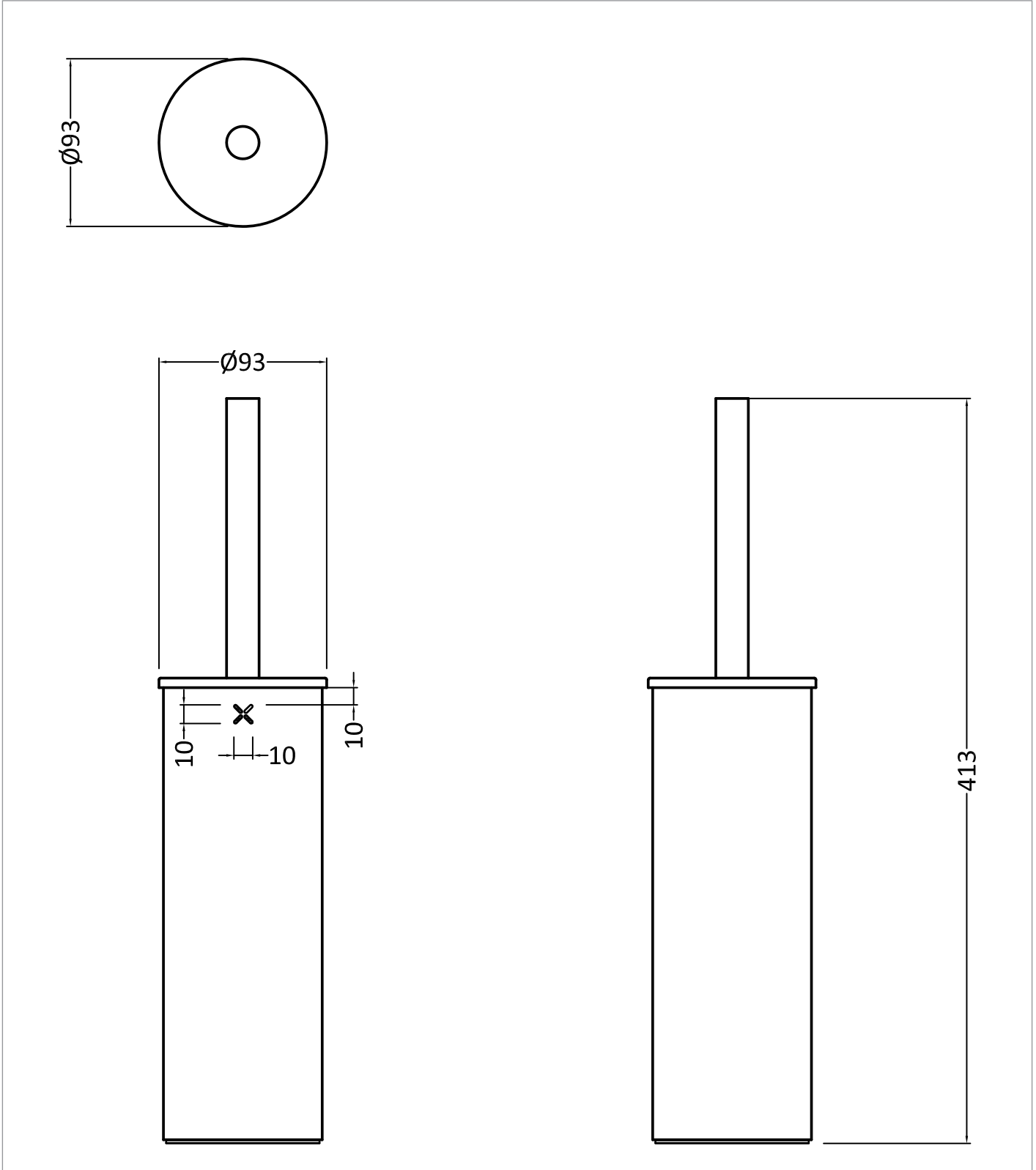
[Click Here](#)

CATEGORY	Accessories
WARRANTY DETAILS	15 Years
COLOUR	Brushed Nickel
FINISH APPLICATION	PVD
PRIMARY MATERIAL	304 Stainless Steel
SECONDARY MATERIAL	Brass
INSTALL TYPE	Floor Standing
PRODUCT WIDTH MM	93
PRODUCT HEIGHT MM	413
PRODUCT DEPTH MM	93
PRODUCT NET WEIGHT KG	1.3

## TECHNICAL DIMENSIONS

Dimensions in mm unless otherwise specified.

Tolerances (per material type) apply.



## SPARES LIST

Only the parts labelled are available as spares.

NUMBER	PART CODE	DESCRIPTION
1	PRO025BRUSHC	MPRO Wall Mount Toilet Brush Set Chrome
	PRO025BRUSHV	MPRO Wall Mount Toilet Brush Set Brushed Nickel
	PRO025BRUSHT	MPRO Wall Mount Toilet Brush Set Slate
	PRO025BRUSHM	MPRO Wall Mount Toilet Brush Set Matt Black
	PRO025BRUSHF	MPRO Wall Mount Toilet Brush Set Brushed Brass
	PRO025BRUSHBZ	MPRO Wall Mount Toilet Brush Set Brushed Brass