

PRODUCT DATA SHEET



PRODUCT CODE

PRO012F

RANGE

MPRO

DESCRIPTION

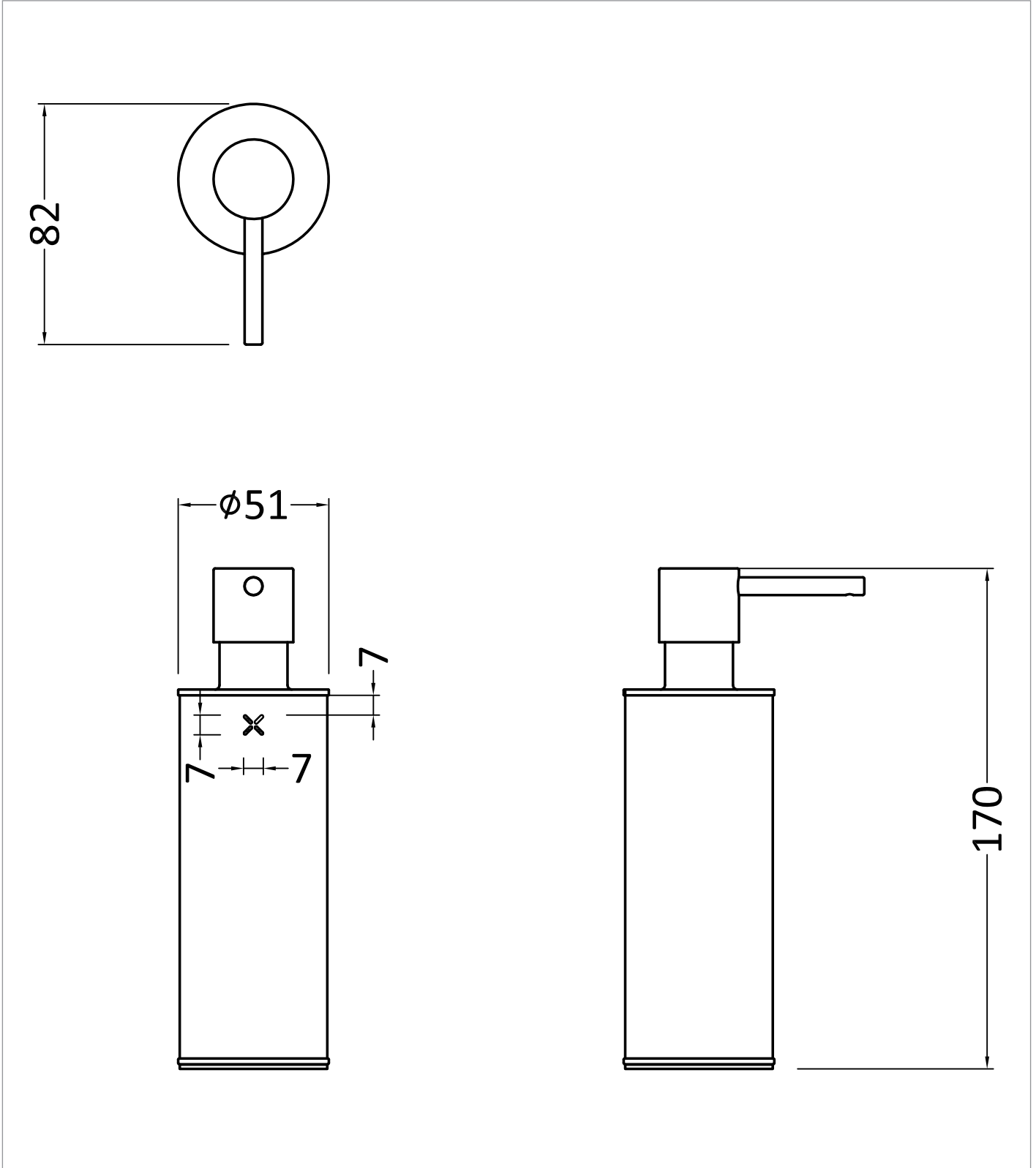
MPRO Freestanding Soap Dispenser
Brushed Brass

CATEGORY	Accessories
WARRANTY DETAILS	15 Years
COLOUR	Brushed Brass
FINISH APPLICATION	PVD
PRIMARY MATERIAL	304 Stainless Steel
SECONDARY MATERIAL	Brass
INSTALL TYPE	Floor Standing
PRODUCT WIDTH MM	51
PRODUCT HEIGHT MM	170
PRODUCT DEPTH MM	82
PRODUCT NET WEIGHT KG	0.38

TECHNICAL DIMENSIONS

Dimensions in mm unless otherwise specified.

Tolerances (per material type) apply.



SPARES LIST

Only the parts labelled are available as spares.

NUMBER	PART CODE	DESCRIPTION
1	PRO00007BZ	MPRO Spray Head For Soap Dispenser Brushed Bronze
	PRO00007T	MPRO Spray Head For Soap Dispenser Slate
	PRO00007V	MPRO Spray Head For Soap Dispenser Brushed Stainless
	PRO00007F	MPRO Spray Head For Soap Dispenser Brushed Brass
	PRO00007M	MPRO Spray Head For Soap Dispenser Matt Black
	PRO00007C	MPRO Spray Head For Soap Dispenser Chrome

PRODUCT DATA SHEET



PRODUCT CODE

PRO004F

RANGE

MPRO

DESCRIPTION

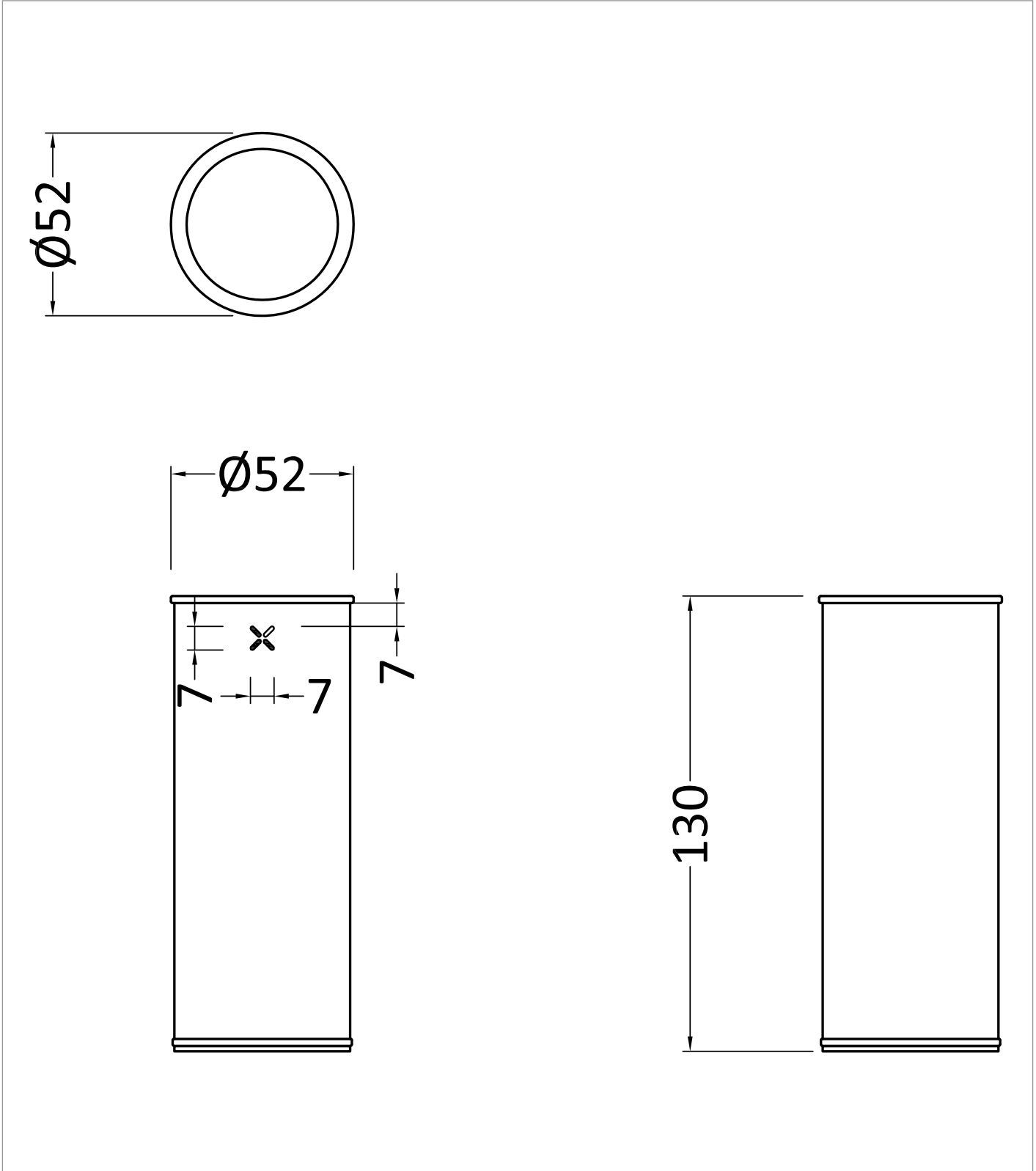
MPRO Freestanding Tumbler Holder
Brushed Brass

CATEGORY	Accessories
WARRANTY DETAILS	15 Years
COLOUR	Brushed Brass
FINISH APPLICATION	PVD
PRIMARY MATERIAL	304 Stainless Steel
SECONDARY MATERIAL	Brass
INSTALL TYPE	Floor Standing
PRODUCT WIDTH MM	52
PRODUCT HEIGHT MM	130
PRODUCT DEPTH MM	52
PRODUCT NET WEIGHT KG	0.23

TECHNICAL DIMENSIONS

Dimensions in mm unless otherwise specified.

Tolerances (per material type) apply.



SPARES LIST

Only the parts labelled are available as spares.

NO SPARES AVAILABLE

PRODUCT DATA SHEET



PRODUCT CODE

PRO026F

RANGE

MPRO

DESCRIPTION

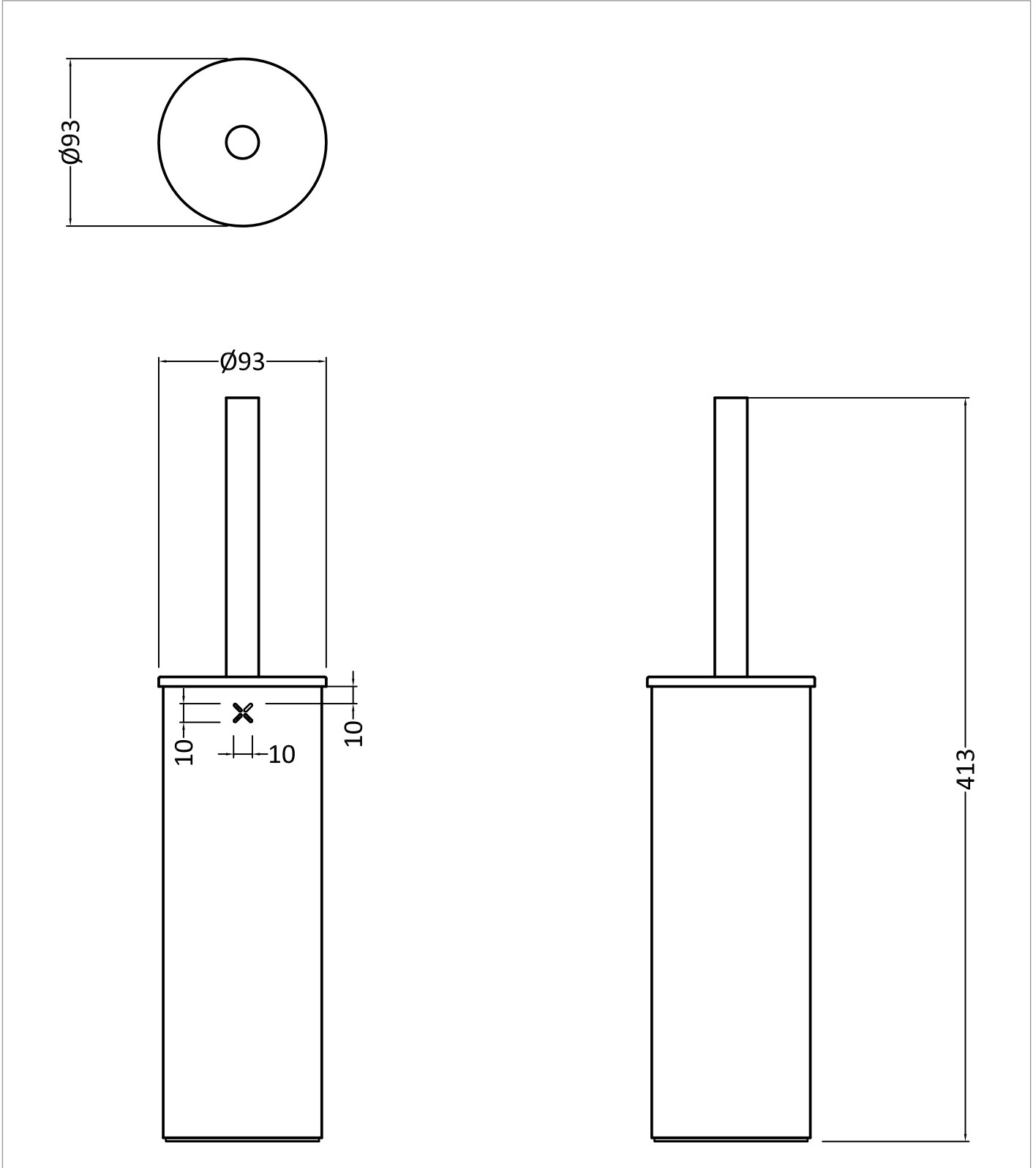
MPRO Freestanding Toilet Brush Holder
Brush Brass

CATEGORY	Accessories
WARRANTY DETAILS	15 Years
COLOUR	Brushed Brass
FINISH APPLICATION	PVD
PRIMARY MATERIAL	304 Stainless Steel
SECONDARY MATERIAL	Brass
INSTALL TYPE	Floor Standing
PRODUCT WIDTH MM	93
PRODUCT HEIGHT MM	413
PRODUCT DEPTH MM	93
PRODUCT NET WEIGHT KG	1.3

TECHNICAL DIMENSIONS

Dimensions in mm unless otherwise specified.

Tolerances (per material type) apply.



SPARES LIST

Only the parts labelled are available as spares.

NO SPARES AVAILABLE