

# SPECIFICATIONS

**DESCRIPTION**

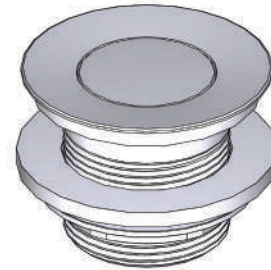
- Universal bath waste kit

**STANDARDS**

- WMTS 040 (2022)

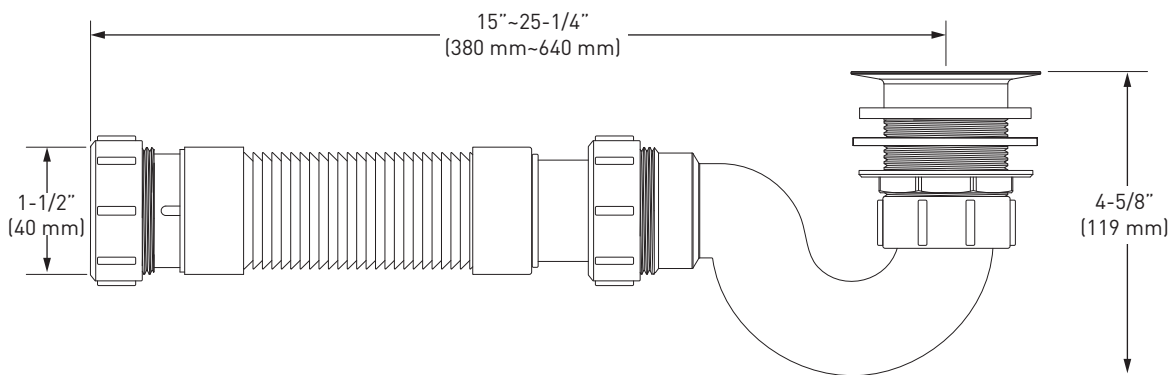
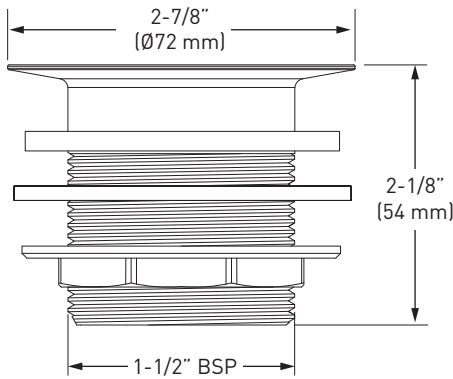
**WARRANTY**

- Visit [www.houseofrohl.uk](http://www.houseofrohl.uk) for more information



**Drain Kit**

**MODELS:** K-12 Series



For care and cleaning, product warranty, and additional information contact:

**US Customers**

U.S.A.  
[houseofrohl.com/support](http://houseofrohl.com/support)  
 1-800-777-9762

**Canadian Customers**

QUEBEC / MARITIMES / WESTERN CANADA  
 QUÉBEC / MARITIMES / OUEST CANADIEN  
 QUEBEC / MARITIMOS / CANADA OCCIDENTAL  
[houseofrohl.ca/support](http://houseofrohl.ca/support)  
 1-866-473-8442

**EMEA Customers**

UNITED KINGDOM  
[www.houseofrohl.uk](http://www.houseofrohl.uk)  
 01952 221100

