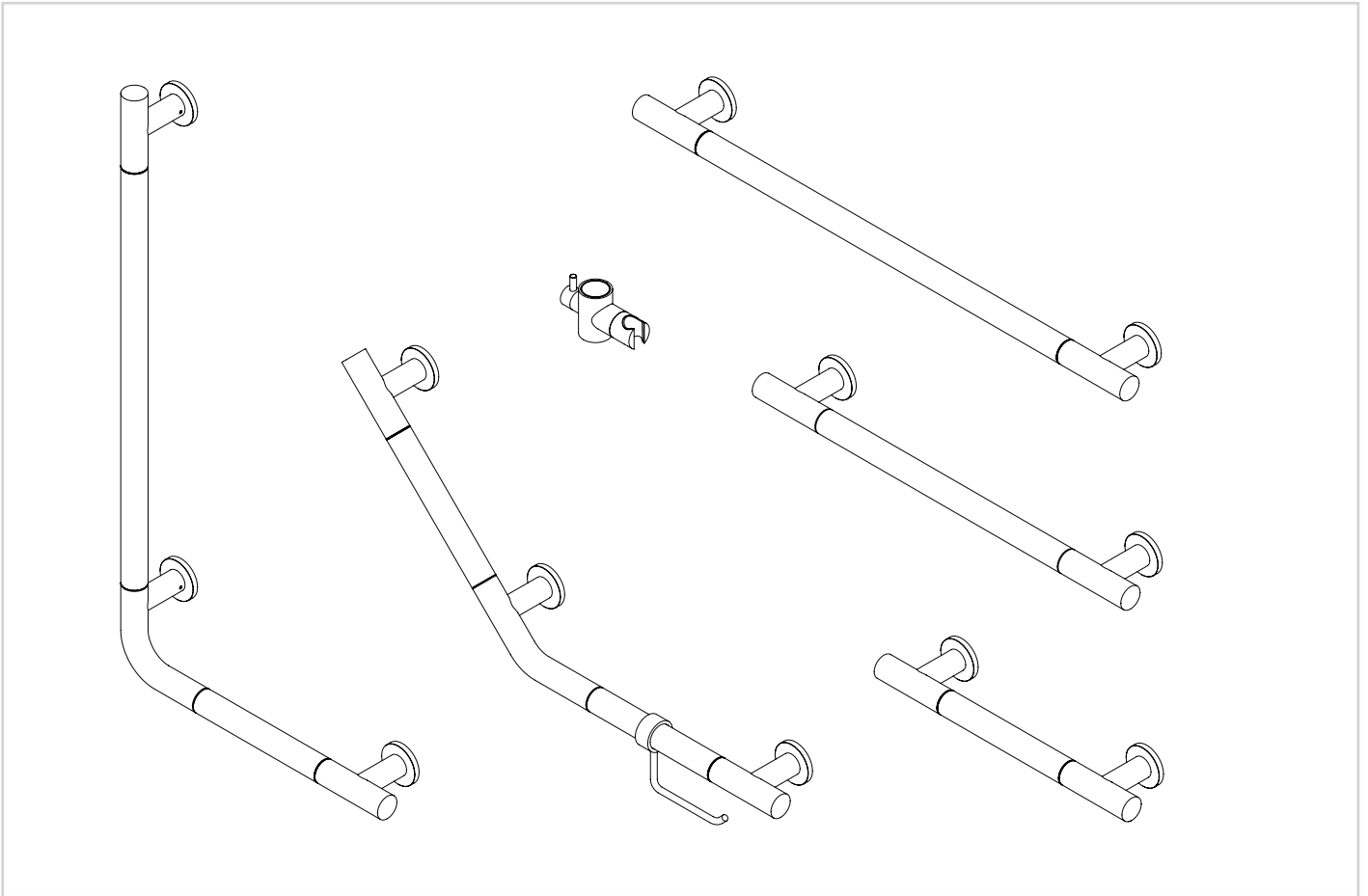


GRAB BARS

Accessories Range



PRODUCT CODES:

GBA7232x, GBH01x, GBR8343x, GBS400x, GBS600x, GBS800x,



IMPORTANT INFORMATION BEFORE YOU START

Please read carefully and keep this information for further reference.

All products manufactured and supplied by Crosswater are safe provided they are installed, used correctly and receive regular maintenance in accordance with these instructions. If you are in any doubt about your ability to install this product safely you must employ the services of an experienced qualified installer.

BEFORE YOU START

Important Pre-Installation Notes








Remove all packaging and check the fitting for damage before starting installation.

Before starting any installation please consider the following: before drilling into walls, check that there are no hidden electrical wires, cables or water supply pipes. This can be checked with the aid of an electronic detector.

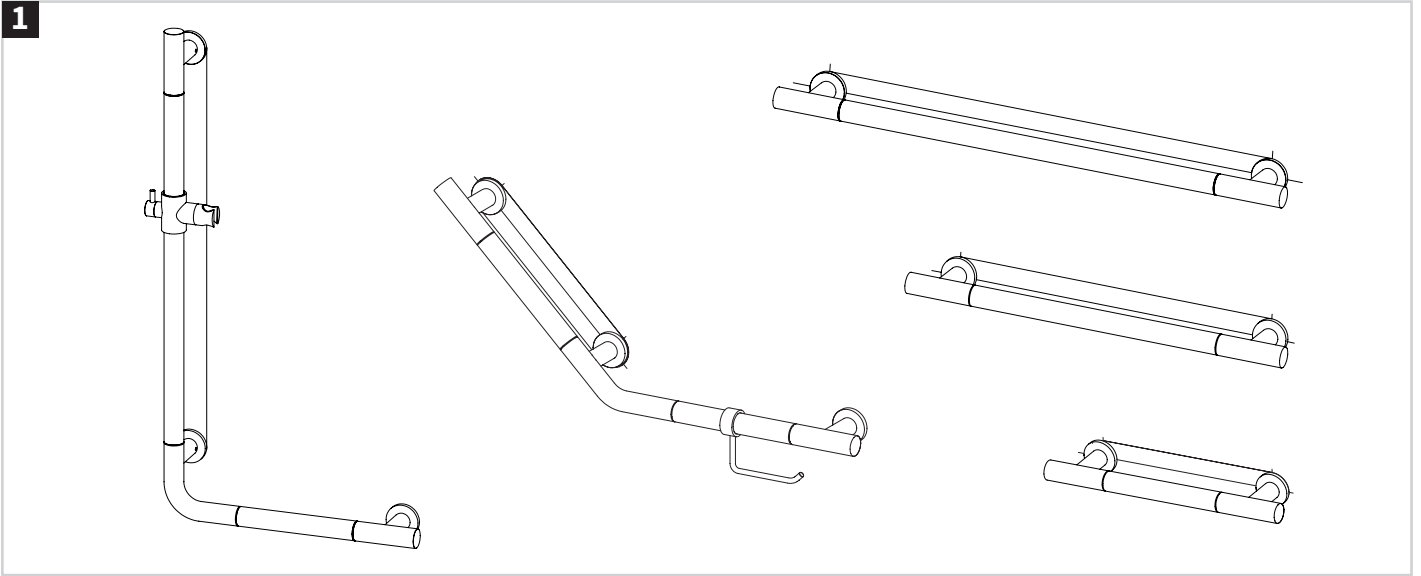
If power tools are used do not forget to:

- Wear eye protection
- Unplug equipment after use

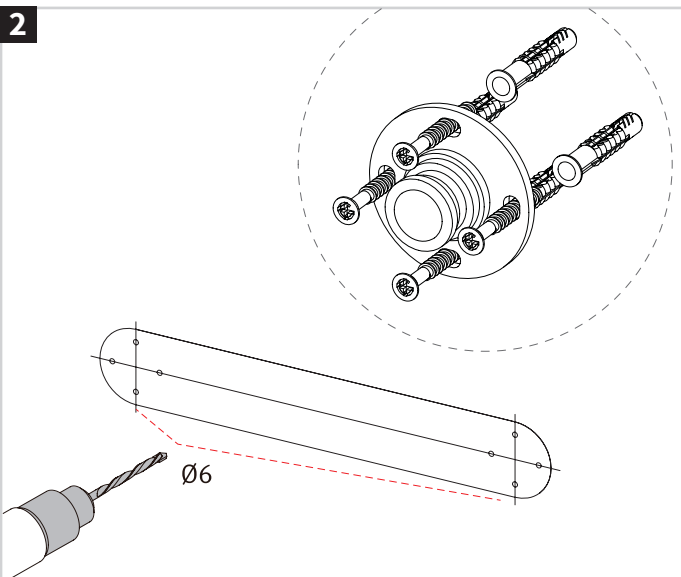
Tools Required (not supplied):

<p><u>Drill + 6mm Drill Bit</u></p>		<p><u>Pencil</u></p>	
<p><u>Tape Measure</u></p>		<p><u>Screw Driver (Phillips No2)</u></p>	
<p><u>Spirit Level</u></p>		<p><u>Safety Goggles</u></p>	
<p><u>Water Based Silicone Sealant</u></p>			

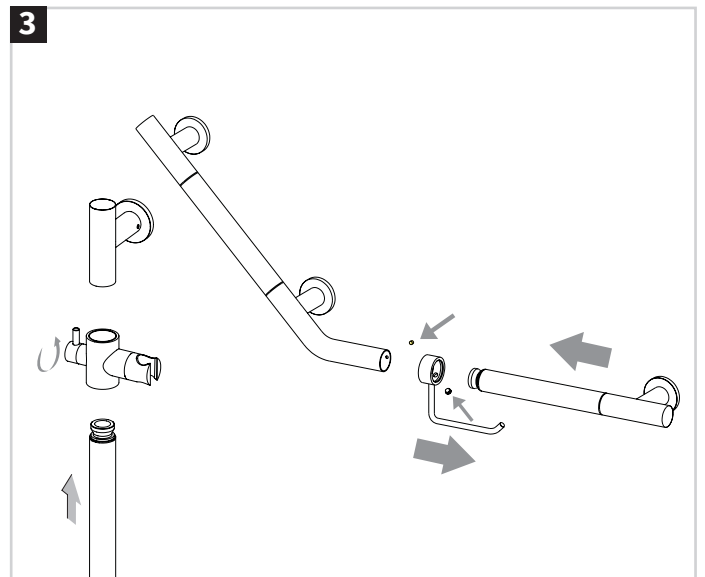
INSTALLATION



Assemble the grab rail without securing the grub screws and offer it up to wall, identifying and marking the desired position. Place the cutting template on the marked wall. For the vertical and angled Grab Bars mark the additional holes required.

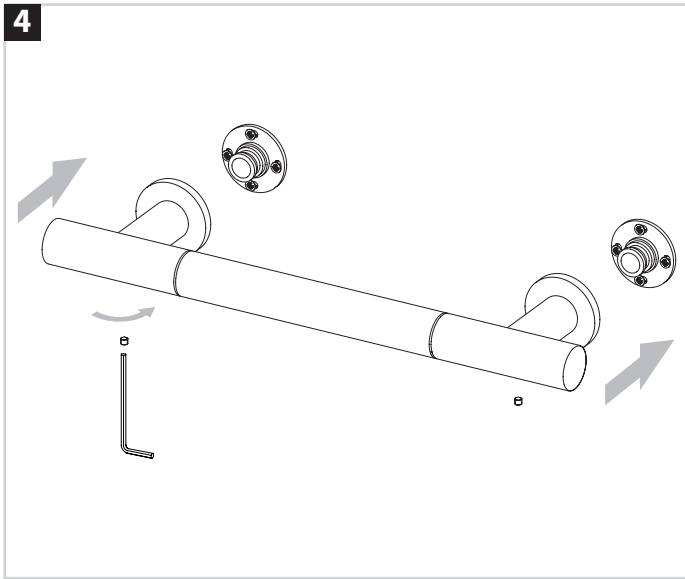


Drill the wall and secure the fixing brackets on all marked locations. It is recommended to use all 4 screw fixings on each wall bracket. The fixings provided are for solid walls. Use specialist fixings for other wall types.



Assemble any additional components before tightening the grab bar assembly via the grub screws provided.

INSTALLATION



Locate the rigid grab bar assembly onto the wall brackets and tighten the grub screws on the cover plates. Test the grab bar on the wall to ensure it is fully rigid and tight to the wall.

CARE & MAINTENANCE

CLEANING THE PRODUCT

The material we use in our taps is very durable, nevertheless care should be taken when cleaning them. They should be cleaned only with warm soapy water followed by rinsing with clean water and drying with a soft cloth. All finishes are vulnerable to acid attack and some strong substances such as household cleaners, disinfectants, denture cleaners, hair dyes, wine making, and photographic chemicals can cause the surface to go black or peel.

Note: Never use abrasive detergents or disinfectants or those containing alcohol, hydrochloric acid or phosphoric acid.