

PRODUCT DATA SHEET



PRODUCT CODE

WCF114X51R

RANGE

Toilet Cisterns

DESCRIPTION

WC Support Frame 1.12M Height (with dual flush concealed cistern & installation kit)

WEBSITE LINK

[Click Here](#)

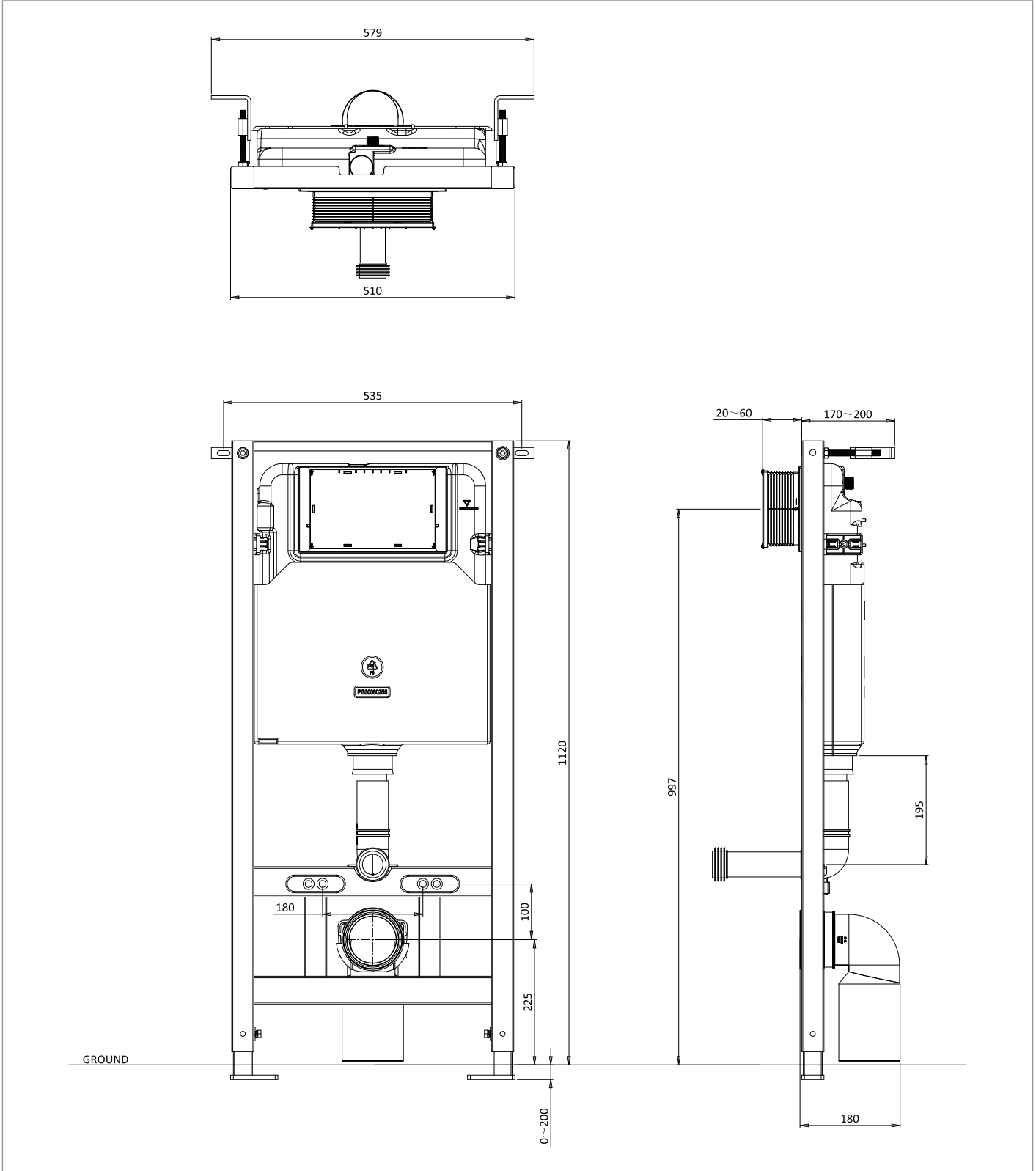
CATEGORY	Sanitaryware
WARRANTY DETAILS	5 Years
PRIMARY MATERIAL	Steel
SECONDARY MATERIAL	Plastic
INSTALL TYPE	Floor Standing
PRODUCT WIDTH MM	510
PRODUCT HEIGHT MM	1120
PRODUCT NET WEIGHT KG	16.99

STANDARDS	BS EN 14055:2018
APPROVAL	WRAS - 2212365
FIXINGS INCLUDED	Yes
FLUSH VOLUME	6/4L
FIXING TYPE	Floor fixing
CISTERN FLUSH MECHANISM	Dual Flush with Mechanical Flush Plate
NOISE CLASS	Group I

TECHNICAL DIMENSIONS

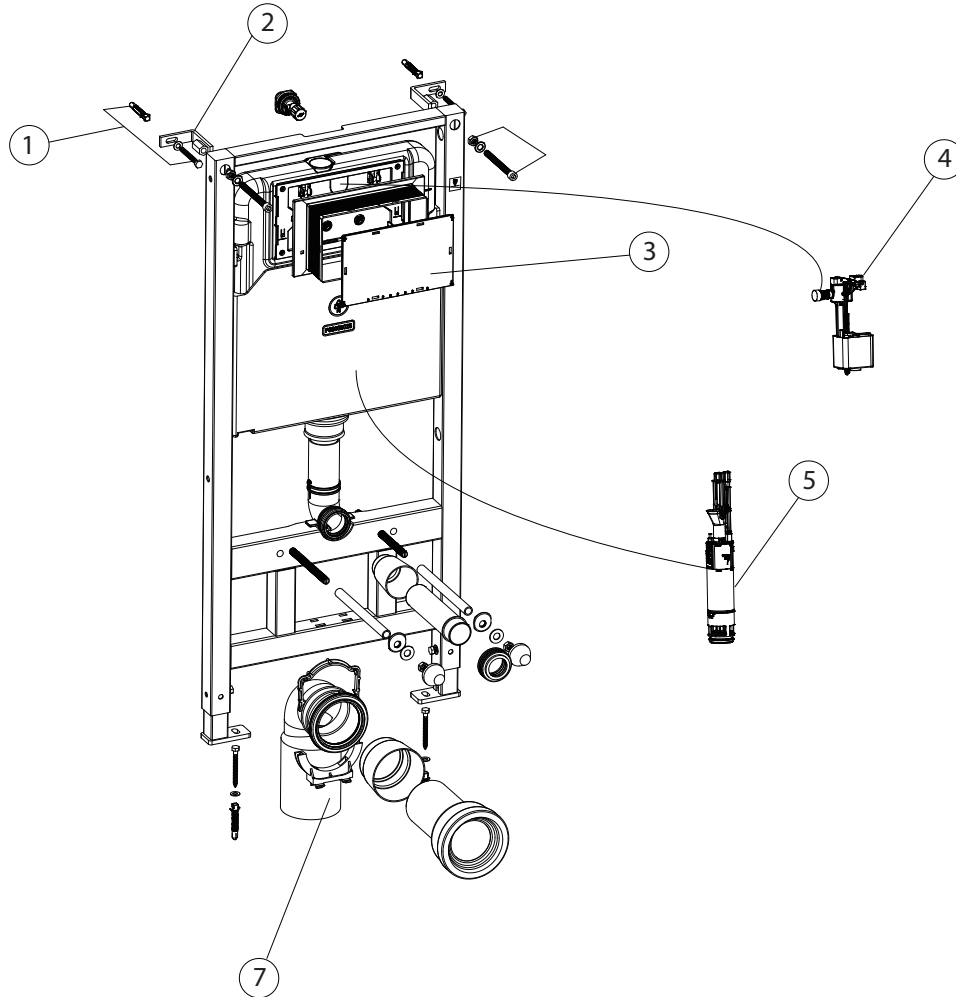
Dimensions in mm unless otherwise specified.

Tolerances (per material type) apply.



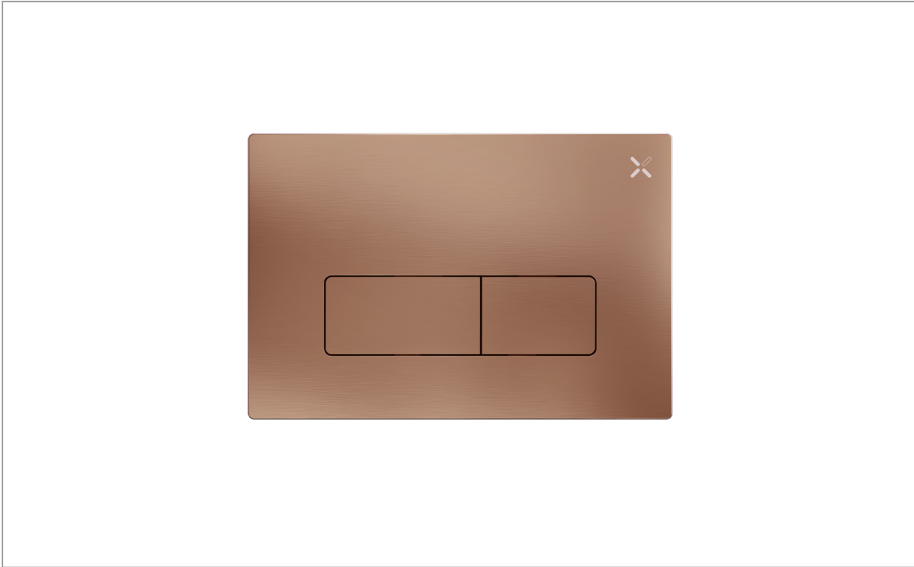
SPARES LIST

Only the parts labelled are available as spares.



NUMBER	PART CODE	DESCRIPTION
1	CWSP001	Replacement fixing bracket for WCF80X45R/WCF98X45R/WCF114X51R
2	CWSP004	Replacement expansion bolt for concealed frames
3	CWSP009	Flush plate mounting assembly for WCF114X51R
4	CWSP021	Replacement fill valve for WCF114X51R
5	CWSP024	Replacement flush valve for WCC46X39R/WCF80X45R/WCF98X45R
6	CWSP027	Replacement flush rod for concealed cisterns and frames
7	CWSP028	Replacement waste pipe for concealed frames

PRODUCT DATA SHEET



PRODUCT CODE

MPROFLUSHBZ

RANGE

MPRO

DESCRIPTION

MPRO Flush Plate Brushed Bronze

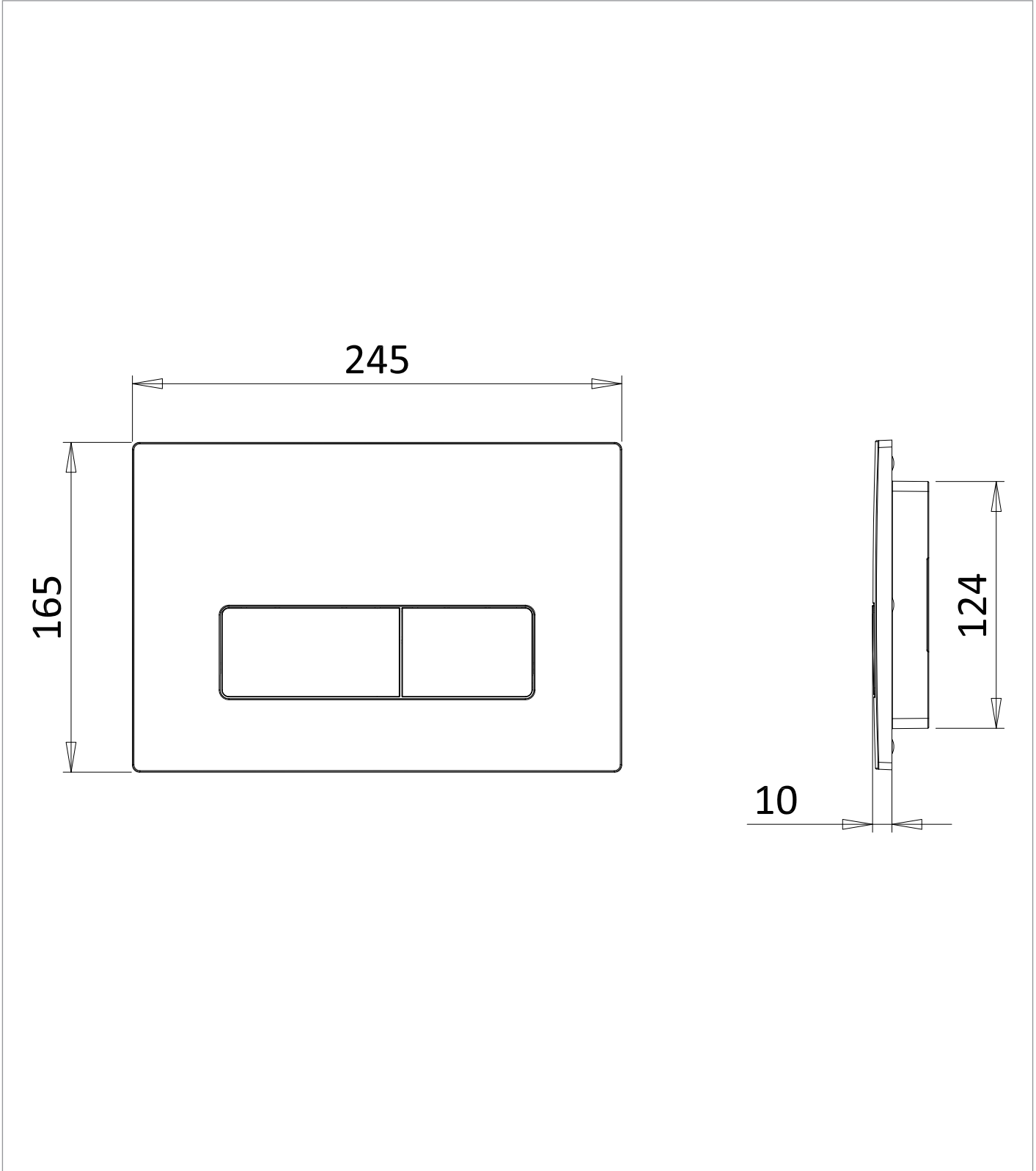
CATEGORY	Sanitaryware
WARRANTY DETAILS	2 Years
COLOUR	Brushed Bronze
FINISH APPLICATION	PVD
PRIMARY MATERIAL	ABS
INSTALL TYPE	Wall Mounted
PRODUCT WIDTH MM	245.3
PRODUCT HEIGHT MM	28.2
PRODUCT LENGTH MM	165.3
PRODUCT NET WEIGHT KG	0.33

FIXINGS INCLUDED	Yes
CISTERN FLUSH MECHANISM	Dual Flush Mechanical

TECHNICAL DIMENSIONS

Dimensions in mm unless otherwise specified.

Tolerances (per material type) apply.



SPARES LIST

Only the parts labelled are available as spares.

NO SPARES AVAILABLE