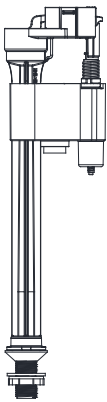
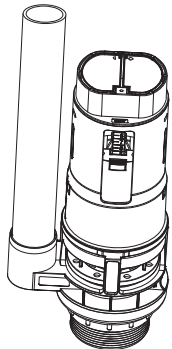

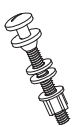




# Installation Instruction for Dual Flush Cistern Fittings

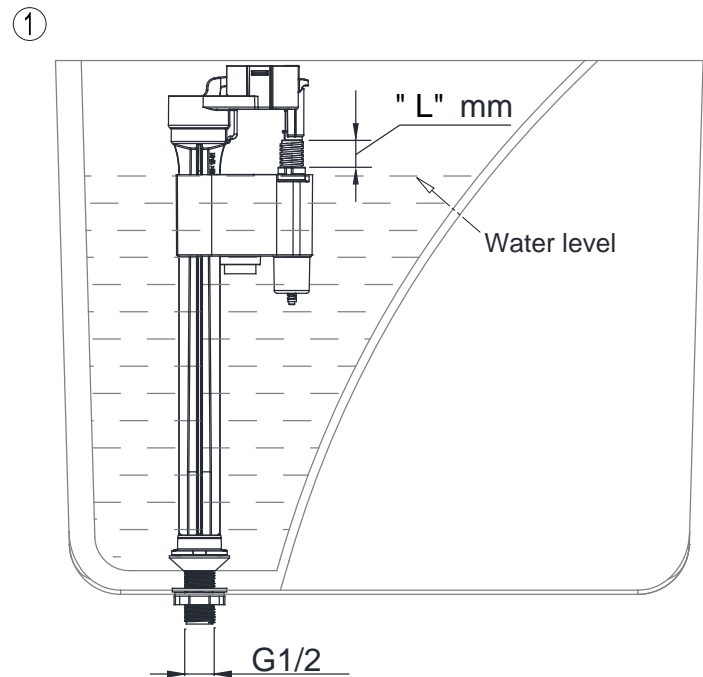
## Parts Supplied:

Inlet Valve	Flush Valve	Button	Bolt	Flush Cone
				SP697 SP1375-1  <hr/> SP1220-1 
1x	1x	1x	2x	1x

- Please read these instructions carefully to avoid damage to the valves, and to ensure correct installation.
- Do not use bleach or bleach based cleaning products in the cistern, as these will cause damage to the seals. We cannot be held responsible or liable for any failure which results from the use of bleach based products.
- Water temperature range +2C to +45C.
- Water pressure 0.2 to 8 bar.

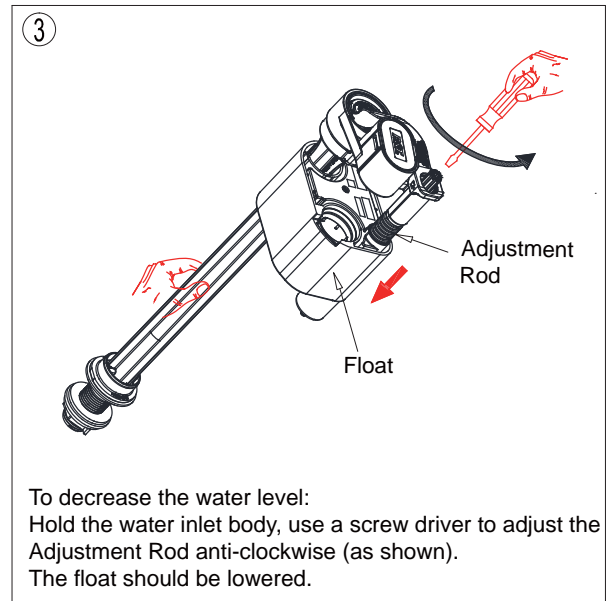
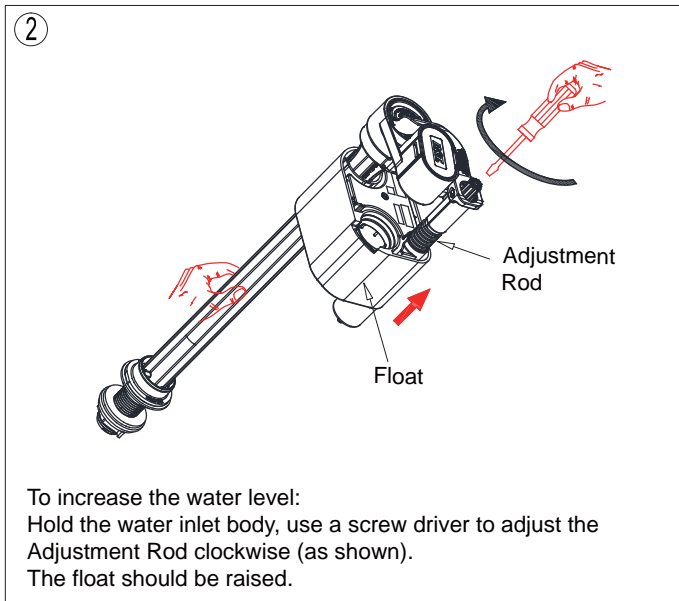
## Inlet Valve Installation And Problem Solving

### 1: Inlet Valve scale and adjustment settings

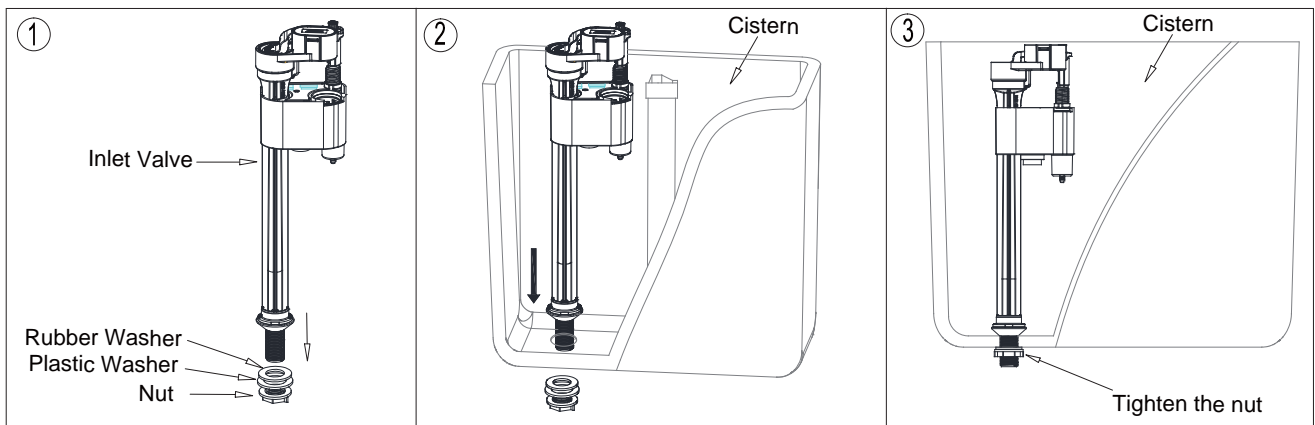


**Note:**  
 The Inlet Valve should be adjusted for the particular cistern into which it is being installed.

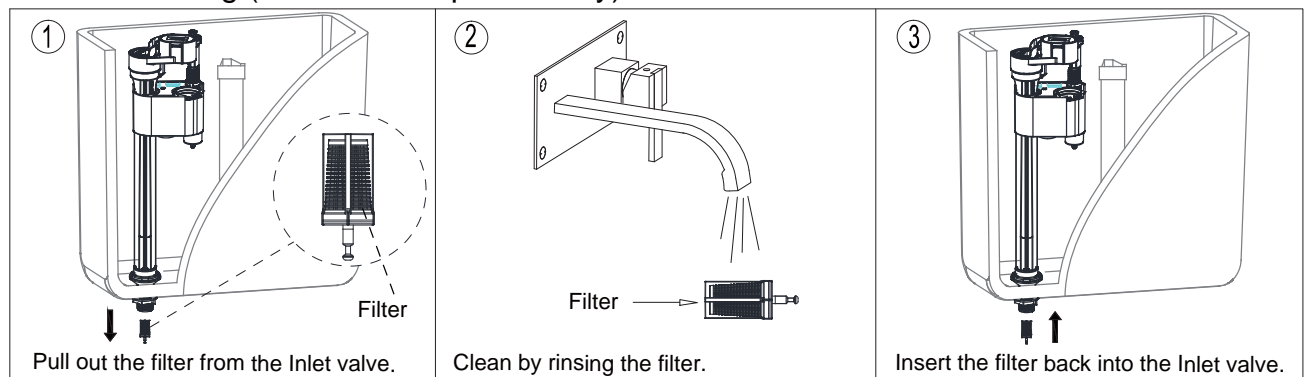
Please refer to the Adjustment Instruction on page 5 for the "L" settings.



## 2: Inlet Valve installation



## 3: Filter cleaning (Please clean periodically)



## 4: Inlet Valve trouble shooting

Problem	Reason	Solution
Incorrect water level	Incorrect adjustment.	Adjust the Water level correctly as per page 1 & 2.
Inlet Valve does not work	Water supply is closed.	Open the water supply.
	The filter is blocked.	Clean the filter.
Leakage	The Float has been over adjusted beyond its operational range.	Reconnect the Adjustment Rod, and adjust the water level as per on page 1 & 2.
	The Inlet Valve fixing nut has not been tightened.	Tighten the nut.

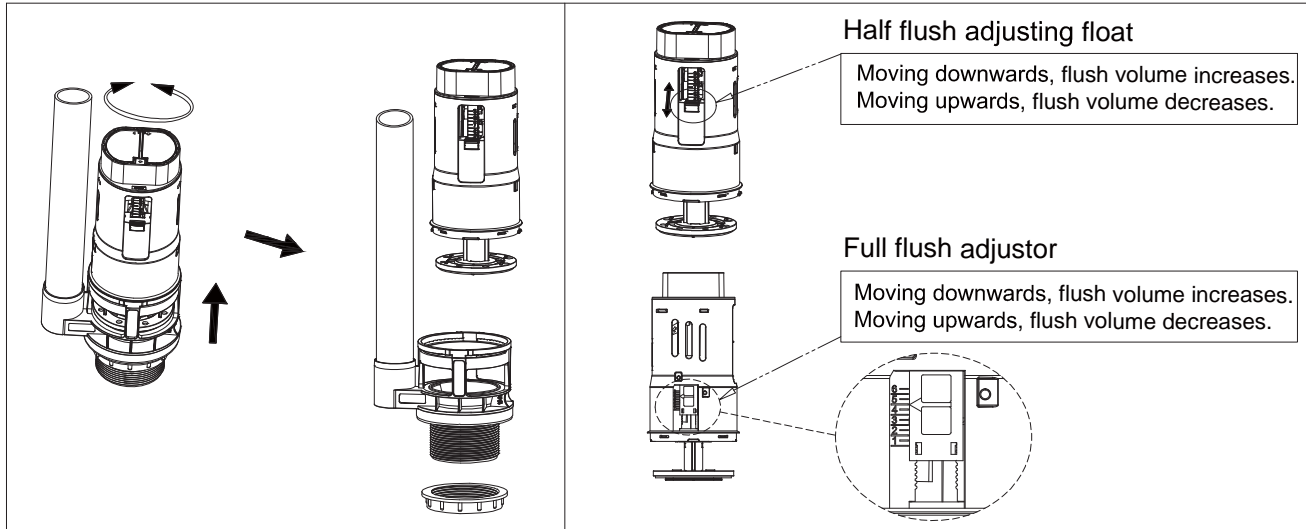
# Flush Valve Installation And Problem Solving

## 1: Flush Valve scale and adjustment setting

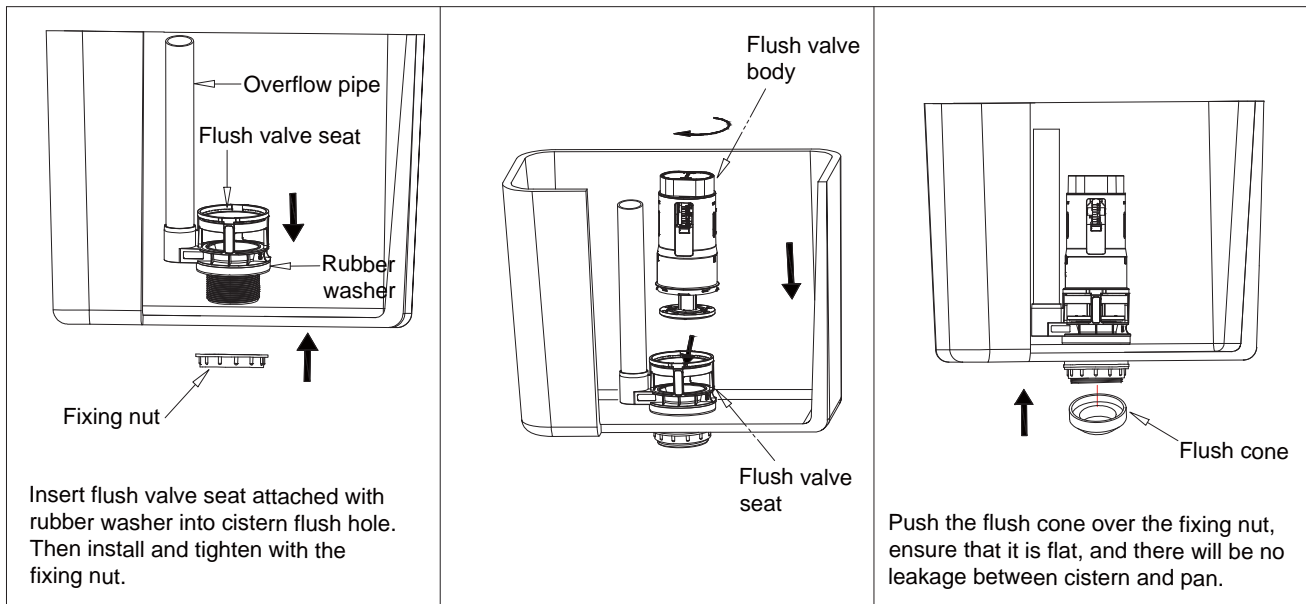
**Note:** The Flush Valve should be adjusted for the particular cistern into which it is being installed.

Please refer to the Adjustment Instruction on page 6 for the full flush and half flush settings.

The diagrams below show the detailed adjustment method.



## 2: Flush Valve installation



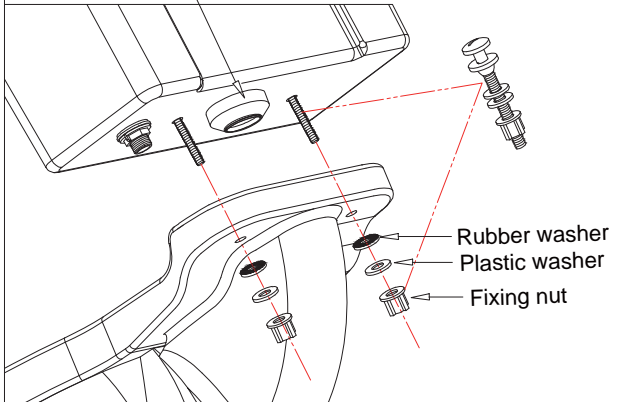
## 3: Flush Valve trouble shooting

Problem	Reason	Solution
Leakage	<ol style="list-style-type: none"> <li>1. Incorrect installation.</li> <li>2. The push rod is too long causing a gap between the washer and the seat.</li> <li>3. Flush valve seat does not fit on the flush valve body.</li> <li>4. Flush valve body is stuck.</li> </ol>	<ol style="list-style-type: none"> <li>1. Install again according to the correct installation procedure.</li> <li>2. Adjust the push rod length. (see page 4)</li> <li>3. Install again, ensuring both surfaces are clean for a water tight seal.</li> <li>4. Take off and wash flush valve body.</li> </ol>
No flush, low flush or half flush volume	Push rod is too short.	Adjust the push rod length. (see page 4)
Full flush or half flush water level is too high or too low.	Water level is adjusted incorrectly.	Adjust the full flush adjustor or the half flush float cup.

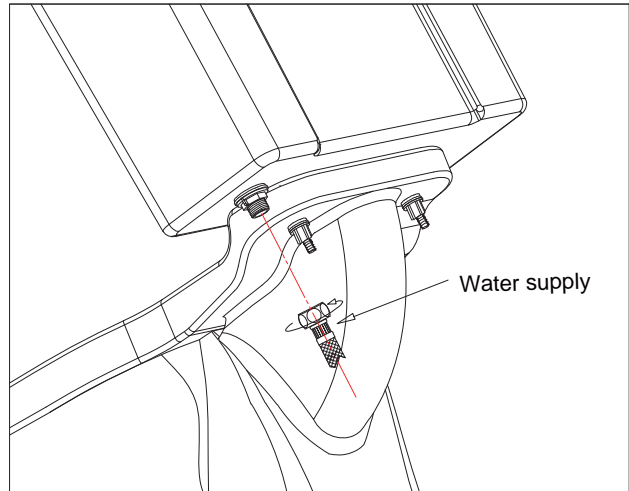
# Cistern and Flush Button Installation

## 1: Install Close Coupled Cistern To Pan

\* Please ensure the flush cone is in position before installation. A thin bead of silicone should be applied to the flush cone and the inlet hole of pan if necessary.



## 2: Connect the water supply to the cistern

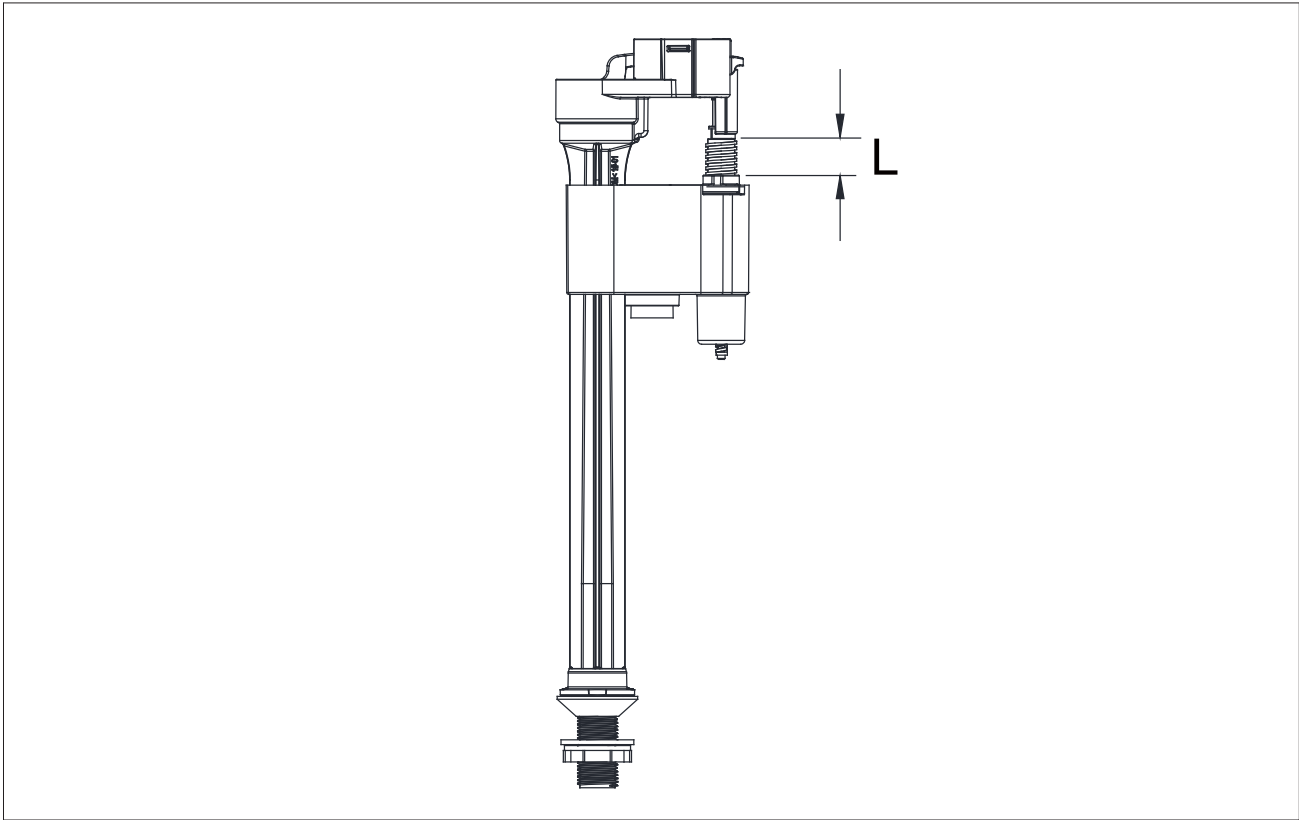


## 3: Install The Flush Button

<p>①</p> <p>Fixing nut Lock nut Push rod</p> <p>Take off the fixing nut. Screw the lock nut to position.</p>	<p>②</p> <p>Half flush Full flush Fixing nut</p> <p>Install the dual flush button onto the cistern lid, and tighten the fixing nut.</p>	<p>③a</p> <p>Too long</p>
<p>③b</p> <p>Push rod</p> <p>Loosen the lock nuts, and unscrew the push rods to cut off the redundant section. Please refer to the recommended length "Z" of push rods for particular cistern on page 7.</p>	<p>④a</p> <p>Too short</p>	<p>④b</p> <p>Lock nut Push rod A B C</p> <p>Half Flush Button - Blue Full Flush Button - White</p> <p>Adjust the length of A by turning the push rod, and remember to tighten the lock nut after finishing the adjustment of the push rod (A). The final position should be that push rods just come into contact with the flush valve, but should not push down onto it unless the button is activated.</p>

4: After installation check that the full flush and half flush are working correctly.  
Please consult the trouble shooting pages if there are any problems.

## Inlet Valve Adjustment Instructions



**Note:**

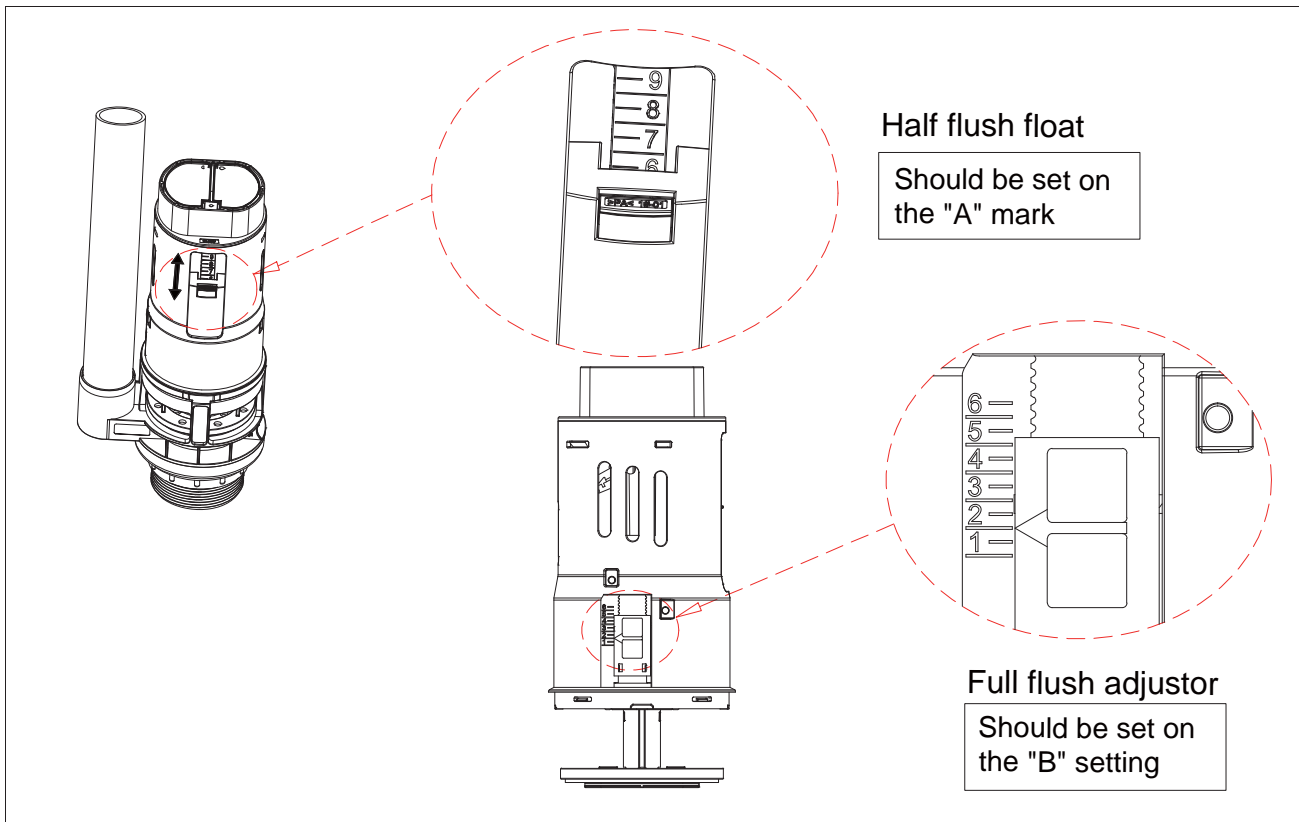
The above diagram is for reference only.

The inlet valve can be adjusted to suit the particular cistern, please refer to below tables for the settings.

For adjustment method, please refer to the installation instruction on page 1 & 2.

Cistern code	Range	L (mm)	
		6L full flush / 3L hafl flush	4.5L full flush / 2.6L hafl flush
15B27349	Stadium	46	56
15B27353	Sphere	41	57
MAR0006	Milan	30	62
TRIM002	Trim	38	67
CUR2002	Curve 2	35	53
MYCCCW	MyHome		65
HOX7105RCW	HOXTON ROUND	40	40
HOX7105SCW	HOXTON SQUARE	35	

# Flush Valve Adjustment Instructions



## Note:

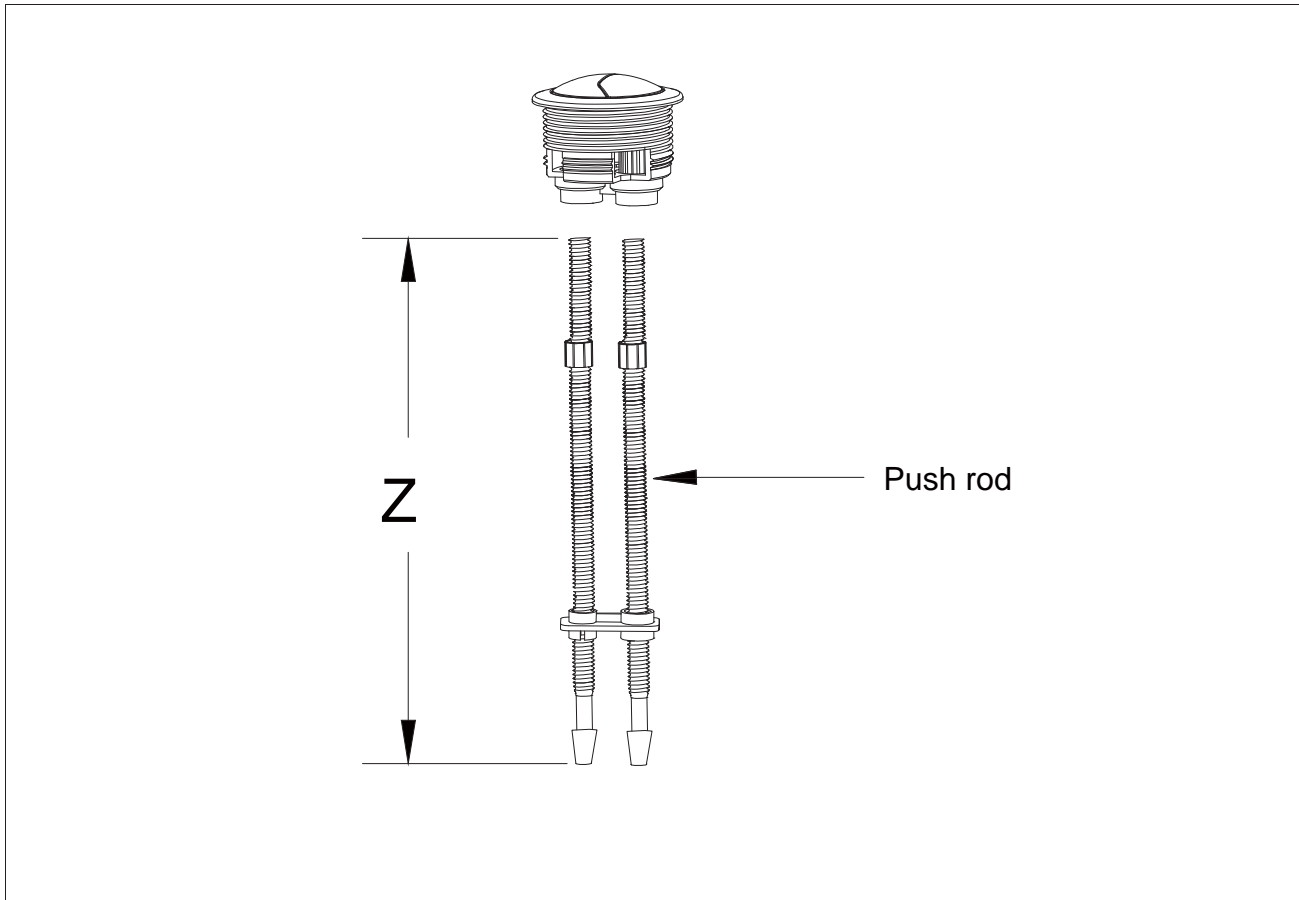
The above diagram is for reference only. In this example, A is set to 6.5 and B is set to 2.

The flush valve can be adjusted to suit the particular cistern, please refer to below tables for the settings.

For adjustment method, please refer to the installation instruction on page 3.

Cistern code	Range	6L full flush / 3L half flush		4.5L full flush / 2.6L half flush	
		A	B	A	B
15B27349	Stadium	4	1	7.5	5
15B27353	Sphere	4	1.5	7.5	5
MAR0006	Milan	5.5	5	5	5
TRIM002	Trim	6	2	7	5
CUR2002	Curve 2	7.5	1.5	6.5	5
MYCCCW	MyHome	7.5	1	4.5	1
HOX7105RCW	HOXTON ROUND	3.5	1	6	5
HOX7105SCW	HOXTON SQUARE	5	1.5		

## Recommended length of push rods

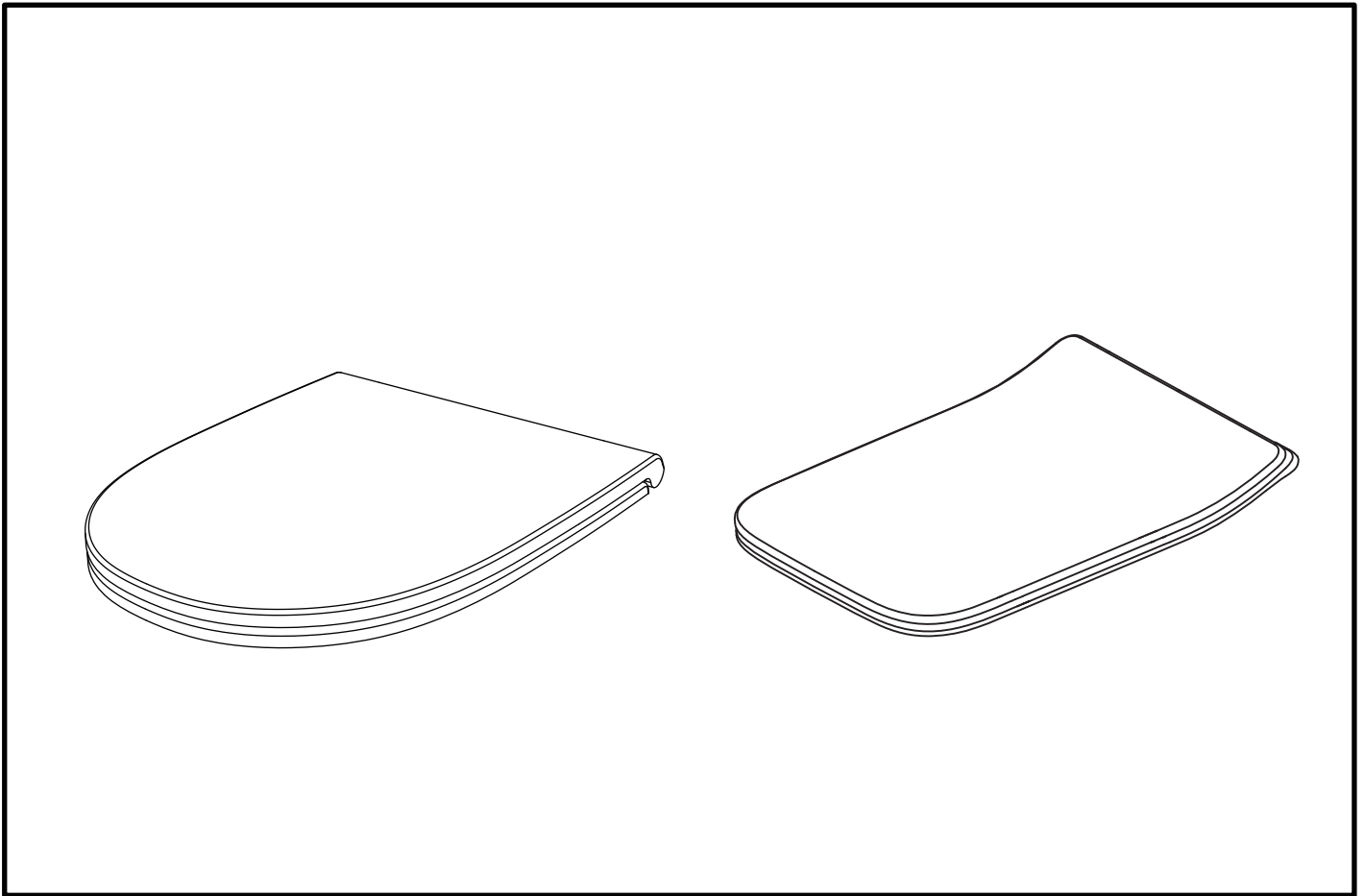


The push rods can be cut off to suit the particular cistern, please refer to below table for the Z value.

Cistern code	Range	Z (mm)
15B27349	Stadium	207
15B27353	Sphere	159
MAR0006	Milan	200
TRIM002	Trim	190
CUR2002	Curve 2	200
MYCCCW	MyHome	135
HOX7105RCW	HOXTON ROUND	192
HOX7105SCW	HOXTON SQUARE	170

# TOILET SEATS

Soft-close Seats with Button Release



## IMPORTANT INFORMATION BEFORE YOU START

**Please read carefully and keep this information for further reference.**

Thank you for buying a Bathroom Brands Product. To ensure that it works to its full potential, it needs to be fitted correctly. Check the contents of the pack carefully before installation.

Bathroom Brands will not be held responsible for any de-fit/re-fit costs where faulty product has been fitted. If any fault is found with materials or workmanship, it must be reported immediately to the manufacturer. Remedial action will be taken, based on information received, on condition that:

1. Full details are supplied to the manufacturer.
2. The product has not been modified or tampered with;

3. The manufacturer is informed of any damage/shortages prior to installation.

4. The product has not been installed, or attempts have been made to install.

We do not accept responsibility for any problems that may occur through incorrect installation. This product should only be installed by a suitably qualified plumber/installer. Should the installation be completed by a non-qualified person any product guarantee maybe considered invalid. For a claim made under our warranty, written certification of your installer's qualifications may be required.

## BEFORE YOU START

### IMPORTANT INFORMATION

**Please read carefully and keep this information for further reference.**

Please check for any hidden pipes or electrical cables before drilling holes in the floor or walls. When using power tools always follow the manufacturer's user instructions. This installation guide details fitting to a solid wall. If your bathroom has studded/plasterboard walls, please use appropriate plasterboard fixings.

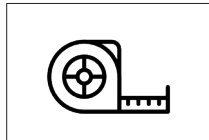
Make sure that the wall can take the weight of the products before undertaking the installation.

Fittings, when over tightened can create stress within the basin material which may in time cause the failure of the product. Care should also be taken when fitting a tap and waste to the basin in order to prevent similar stress related failures. Waste fittings should be carefully bedded in silicone and the back nut hand tightened; an additional quarter turn using a suitable spanner is sufficient to create the required watertight seal.

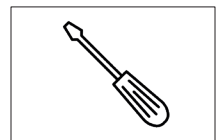
If any maintenance is required then it must be carried out by a qualified Plumber. The manufacturer reserves the right to make technical modifications without prior notice.

### Tools Required (not supplied):

Tape Measure



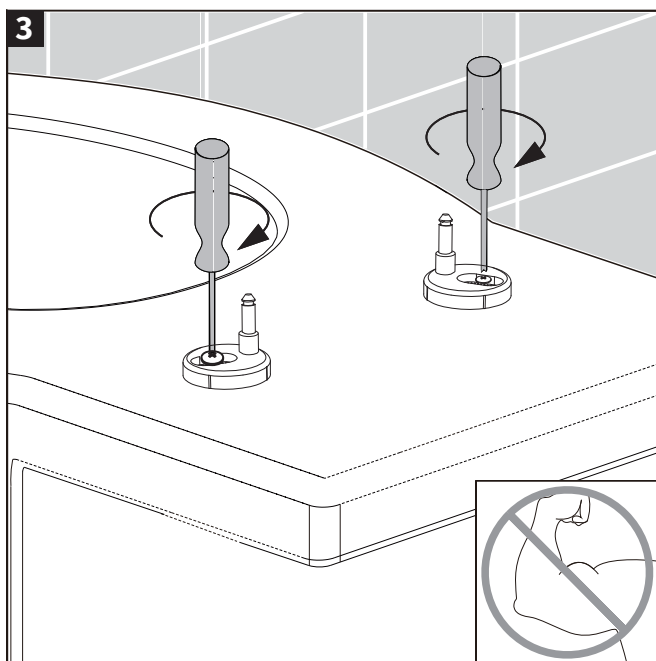
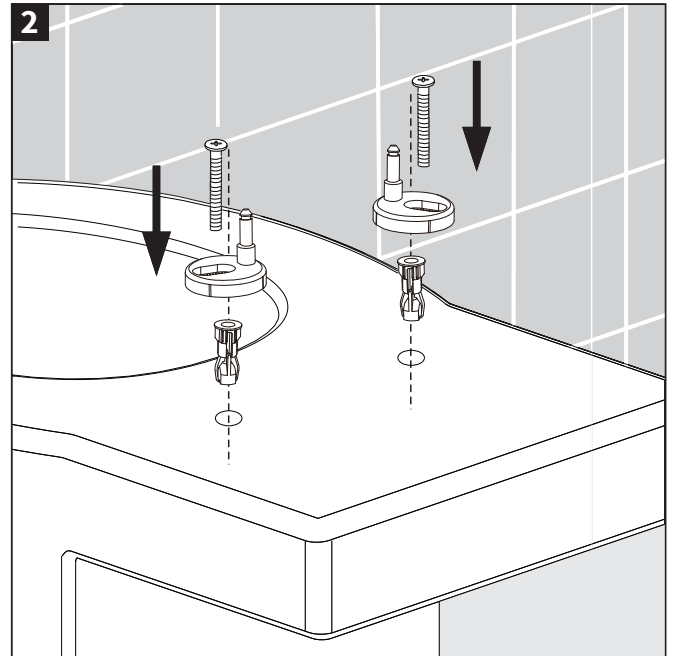
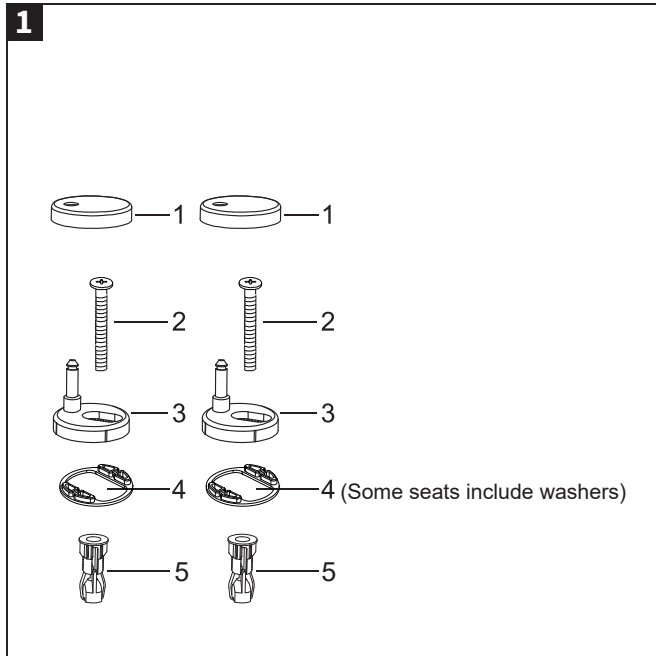
Screw Driver



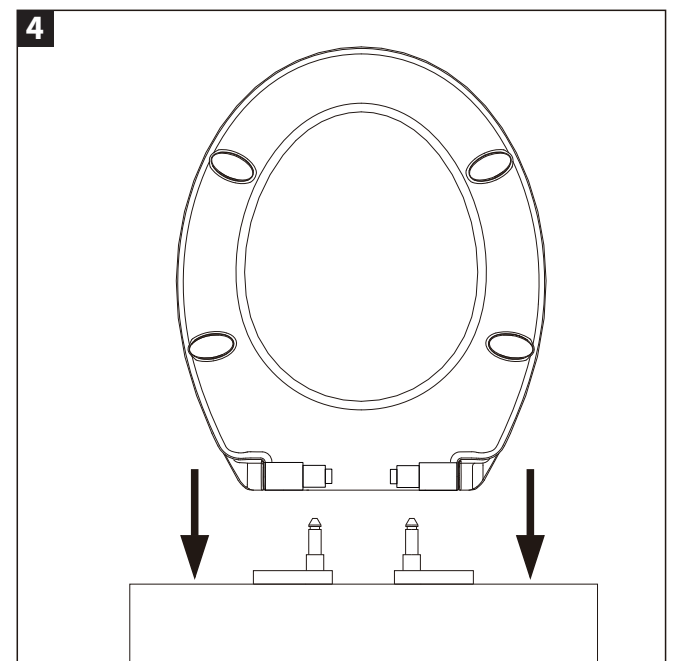
## INSTALLATION

### Installation Steps

Before installation, please check all spare parts are ready and match.



Do not fully tighten.

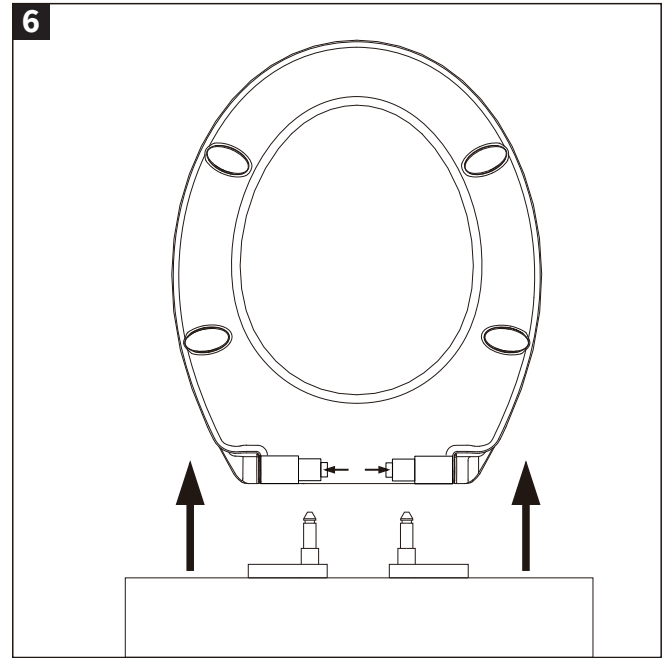
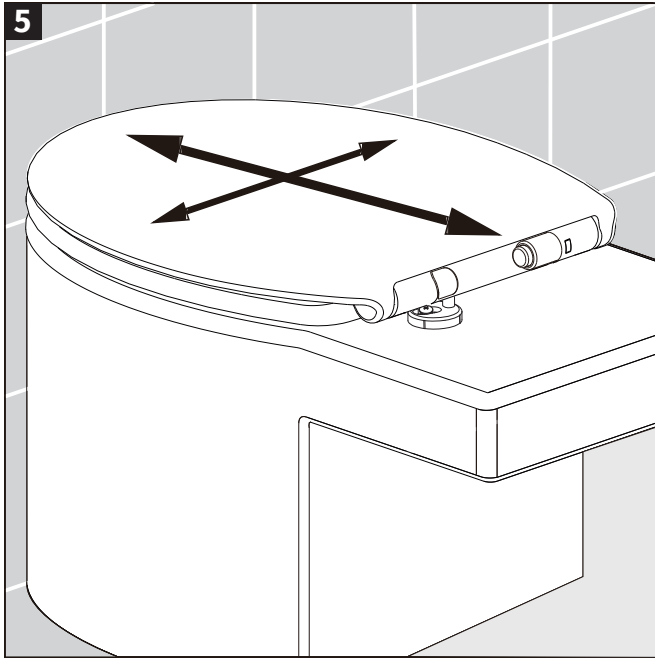


Before attaching the seat, move the mounting base so that the posts align with holes in the back of the seat. Once aligned, carefully lower the seat (holes) onto the mounting post.

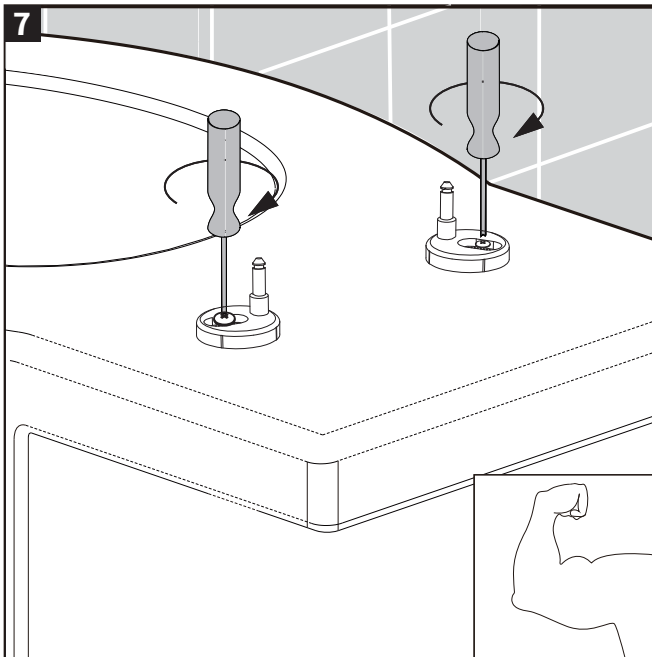
## INSTALLATION

### Installation Steps

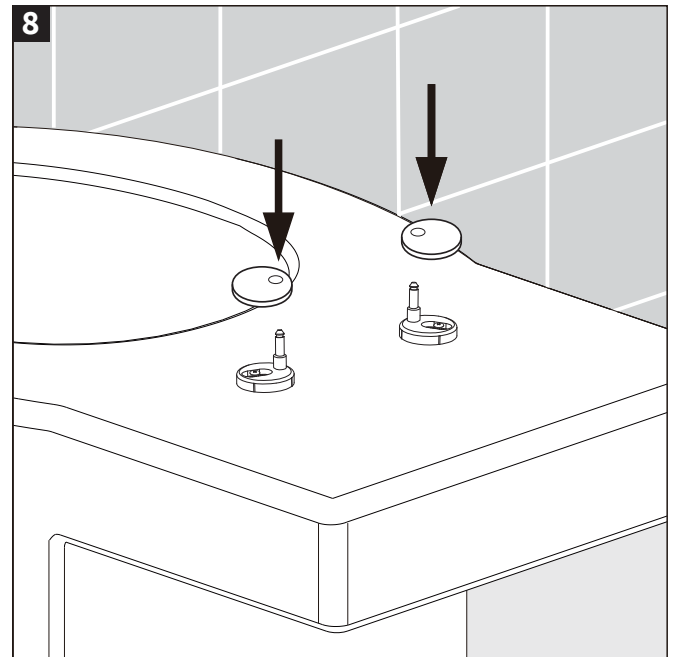
Before installation, please check all spare parts are ready and match.



To remove the seat press the quick release button and lift off.  
Tip: The diagram is for reference only. Some seats feature two-button release; while some seats feature one-button release.



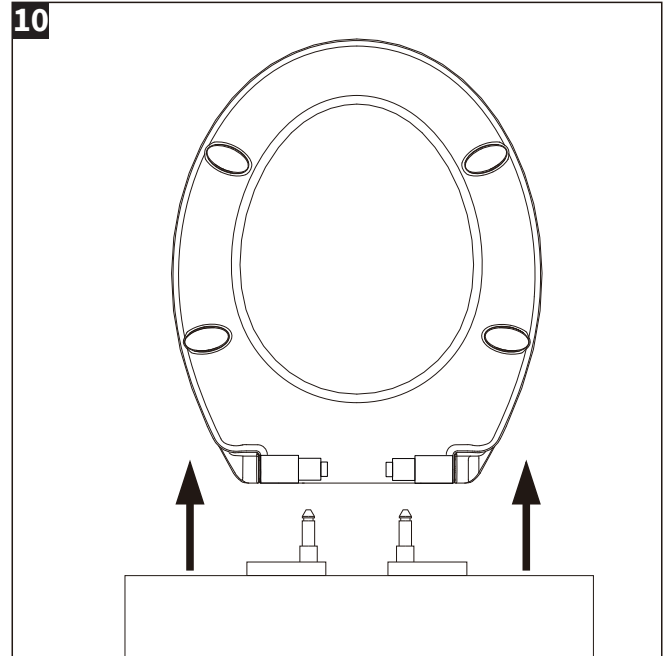
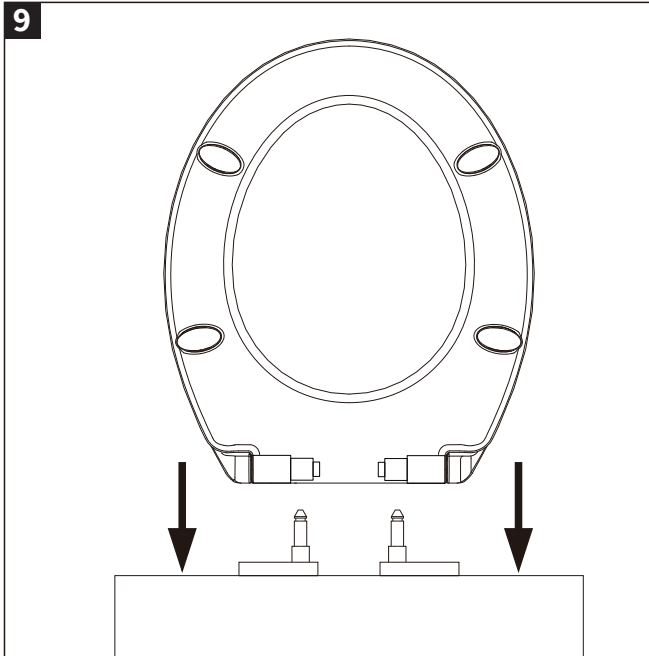
Once satisfied with the position, fully tighten the screws.



## INSTALLATION

### Installation Steps

Before installation, please check all spare parts are ready and match.



### NOTE:

When mounting the seat make sure the posts align with the holes in the back of the seat. Carefully lower the seat back into place (a “click” will heard).

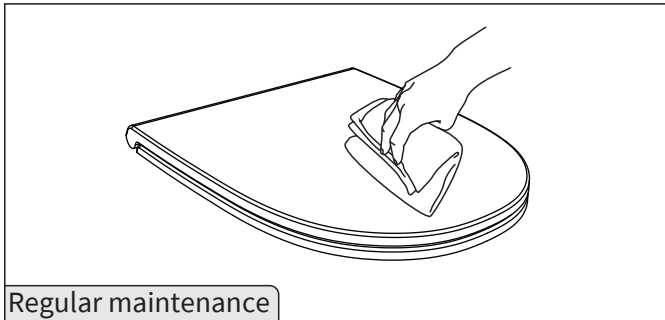
## CARE & MAINTENANCE

Do not stand on the seat or lid as this can cause damage.

As with all toilets seats: If you use bleaches and strong cleaners in the pan, do not leave the seat closed whilst the cleaner acts on the pan- the fumes from bleaches & cleaners may destroy and/or discolour the finish on the seat.

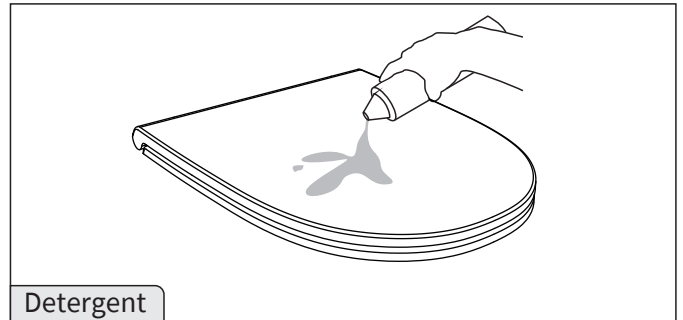


Attention: Be careful the damage of toilet seat. Don't stand on the toilet seat, overloading may lead to toilet seat crushing or hinges broken.



Regular maintenance

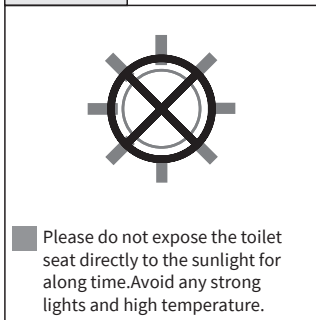
- Please clean the toilet seat with mild cleanser (such as soap water) and warm water, then dry it with clean soft cloth.
- Don't use the high-concentration detergent to clean, which may scratch the surface of the toilet seat and make the toilet seat tarnish.
- Please immediately wipe dry any foam on the surface of plastic toilet seat or electroplating cover.



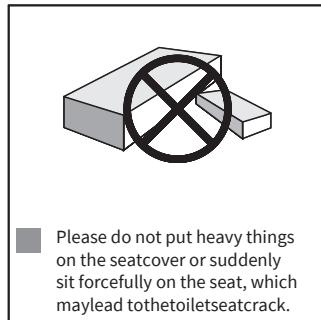
Detergent

- Don't clean the toilet seat with abrasive powder.
- Avoid using any disinfectant, detergent or any other spraying cleanser.
- Keep the toilet seat away from chemicals and cosmetics in bathroom.

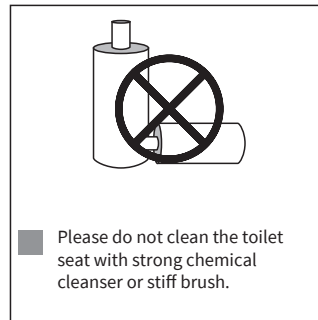
### Cautions



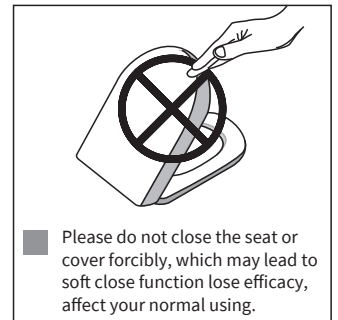
- Please do not expose the toilet seat directly to the sunlight for along time. Avoid any strong lights and high temperature.



- Please do not put heavy things on the seatcover or suddenly sit forcefully on the seat, which may lead to the toilet seat crack.



- Please do not clean the toilet seat with strong chemical cleanser or stiff brush.



- Please do not close the seat or cover forcibly, which may lead to soft close function lose efficacy, affect your normal using.