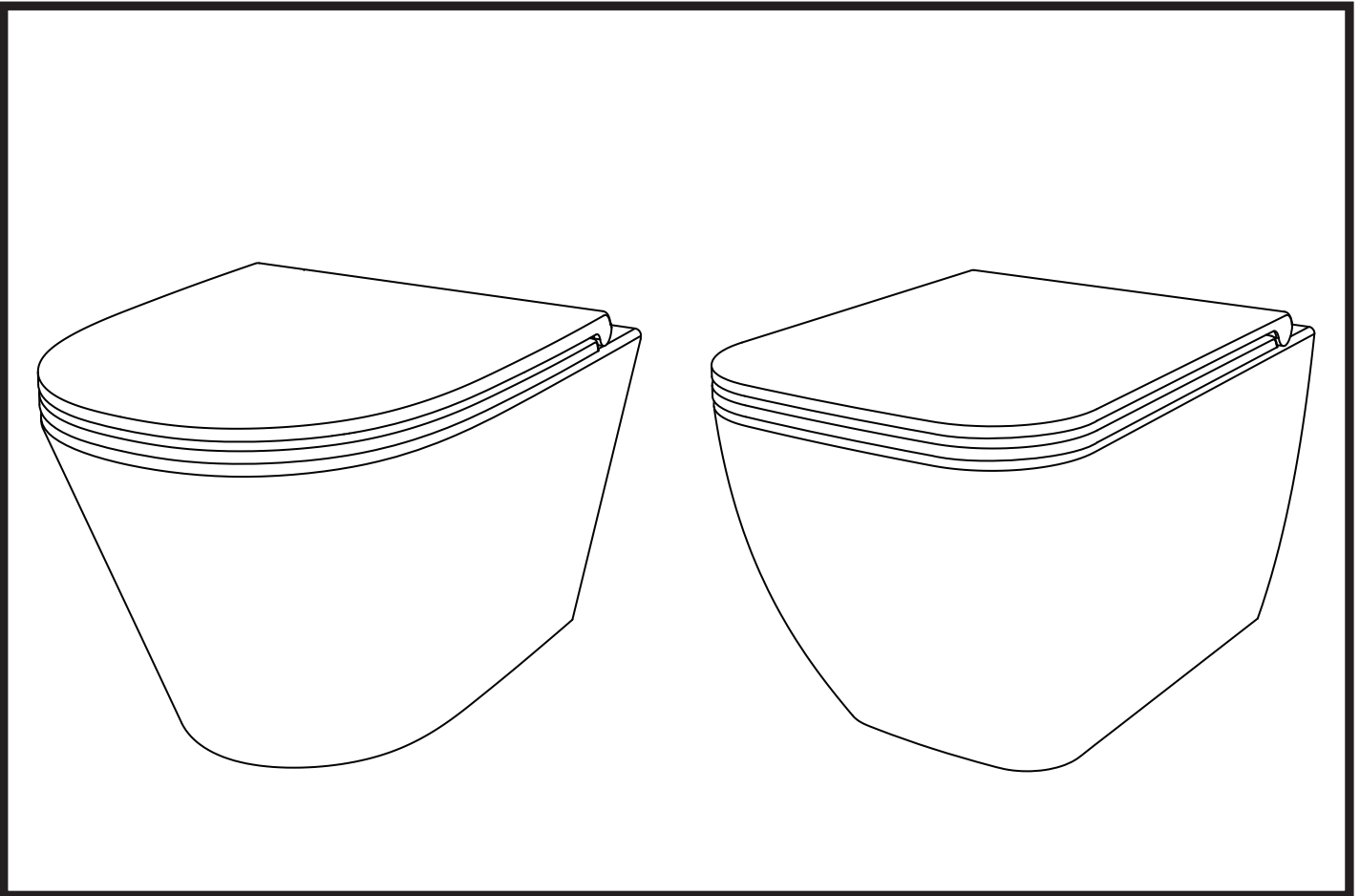


ROUND AND SQUARE TOILETS

Wall-hung Toilets



PRODUCT CODES:

HOX6116RCW, HOX6116SCW



IMPORTANT INFORMATION BEFORE YOU START

Please read carefully and keep this information for further reference.

Thank you for buying a Bathroom Brands Product. To ensure that it works to its full potential, it needs to be fitted correctly. Check the contents of the pack carefully before installation.

Bathroom Brands will not be held responsible for any de-fit/re-fit costs where faulty product has been fitted. If any fault is found with materials or workmanship, it must be reported immediately to the manufacturer. Remedial action will be taken, based on information received, on condition that:

1. Full details are supplied to the manufacturer.
2. The product has not been modified or tampered with;

3. The manufacturer is informed of any damage/shortages prior to installation.

4. The product has not been installed, or attempts have been made to install.

We do not accept responsibility for any problems that may occur through incorrect installation. This product should only be installed by a suitably qualified plumber/installer. Should the installation be completed by a non-qualified person any product guarantee maybe considered invalid. For a claim made under our warranty, written certification of your installer's qualifications may be required.

BEFORE YOU START

IMPORTANT INFORMATION

Please read carefully and keep this information for further reference.





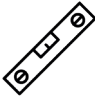



Please check for any hidden pipes or electrical cables before drilling holes in the floor or walls. When using power tools always follow the manufacturer's user instructions. This installation guide details fitting to a solid wall. If your bathroom has studded/ plasterboard walls, please use appropriate plasterboard fixings.

Make sure that the wall can take the weight of the products before undertaking the installation.

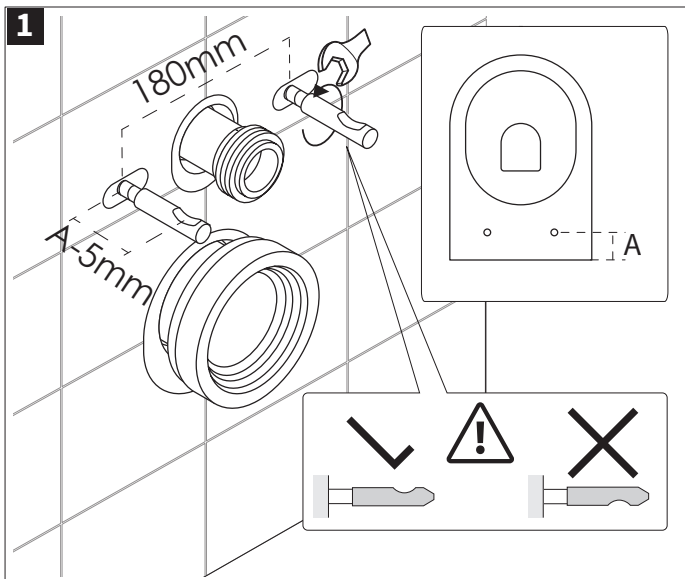
Fittings, when over tightened can create stress within the basin material which may in time cause the failure of the product. Care should also be taken when fitting a tap and waste to the basin in order to prevent similar stress related failures. Waste fittings should be carefully bedded in silicone and the back nut hand tightened; an additional quarter turn using a suitable spanner is sufficient to create the required watertight seal.

If any maintenance is required then it must be carried out by a qualified Plumber. The manufacturer reserves the right to make technical modifications without prior notice.

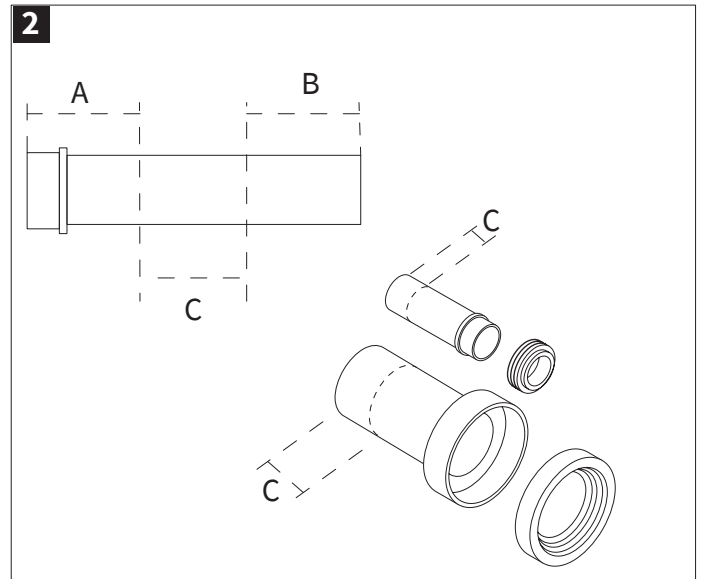
Tools Required (not supplied):

<p><u>Drill + 8mm Drill Bit</u></p>		<p><u>Pencil</u></p>	
<p><u>Tape Measure</u></p>		<p><u>Screw Driver</u></p>	
<p><u>Spirit Level</u></p>		<p><u>Safety Goggles</u></p>	
<p><u>Adjustable Spanner</u></p>		<p><u>Water Based Silicone Sealant</u></p>	

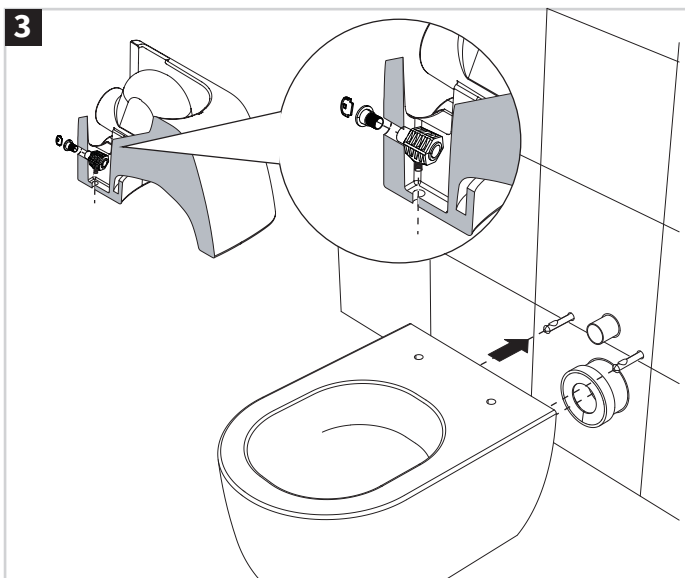
INSTALLATION - WALL HUNG



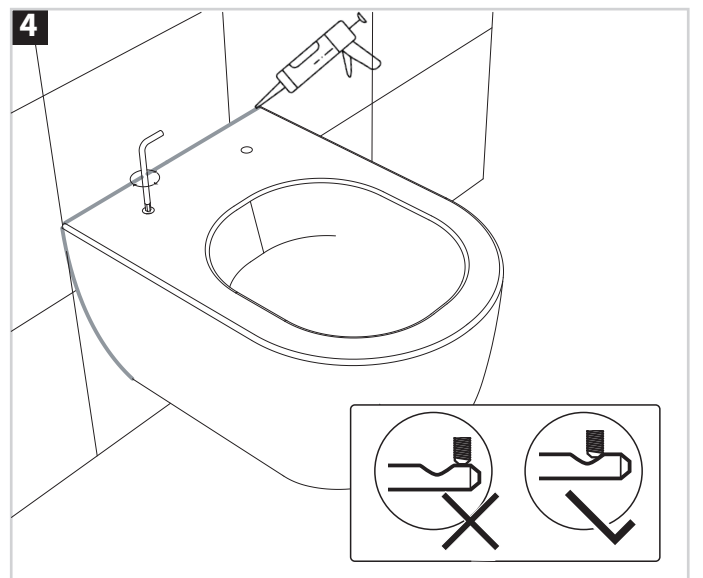
Follow the manufacturer's instructions for the installation of the concealed cistern selected, ensuring the fixing points match the width of the wall hung toilet. Measure distance A and reduce the depth of the bullets by 5mm to ensure a tight grip against the wall surface. Make sure the bullet fixings are facing up.



Push the inlet as far as possible into the toilet and mark the distance on the pipe. Measurement A. Then push the inlet into the concealed cistern as far as possible and mark the distance on the pipe. Measurement B. Measure the distance between both marks. Measurement C. Finally, cut measurement C off the end of the inlet pipe before securing the toilet to the wall. Follow the manufacturer's guidelines for applying grease to the seals



Place the toilet upside down and assemble the fixing kit on the toilet installation holes ensuring a tight fit. The grub screws should be facing up, so they can be accessed through the toilet seat holes. Place the toilet on the fixings.



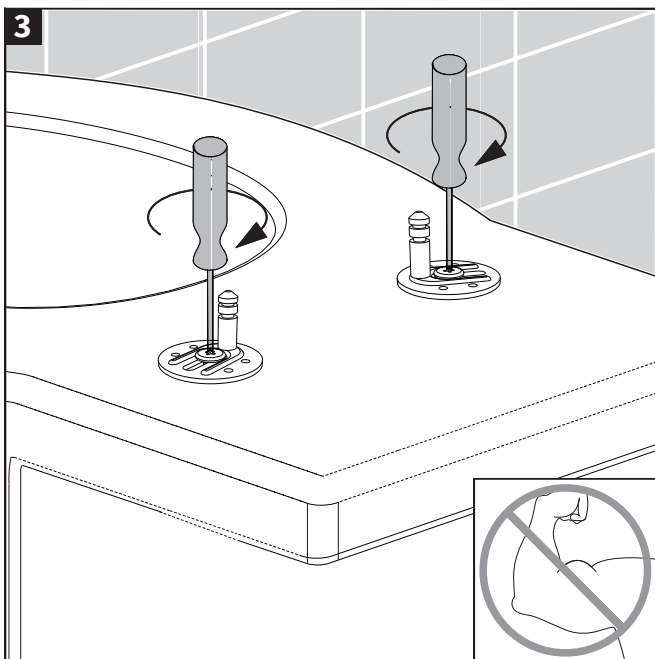
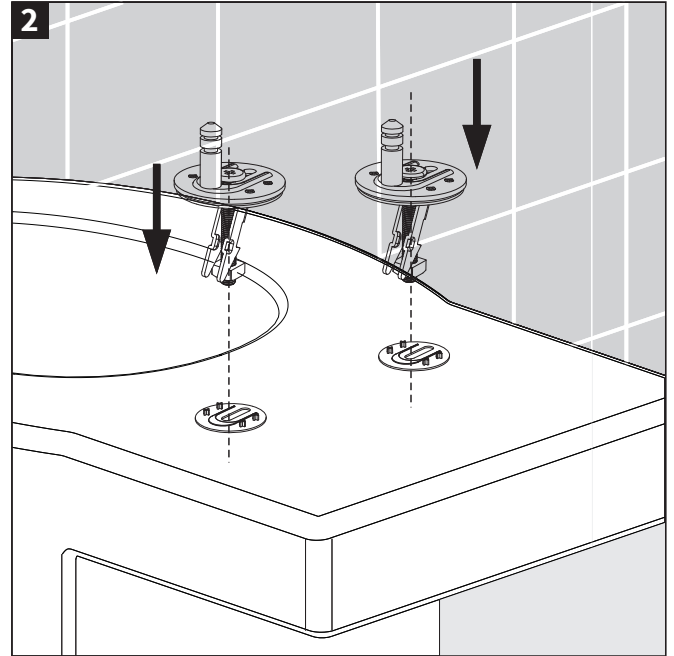
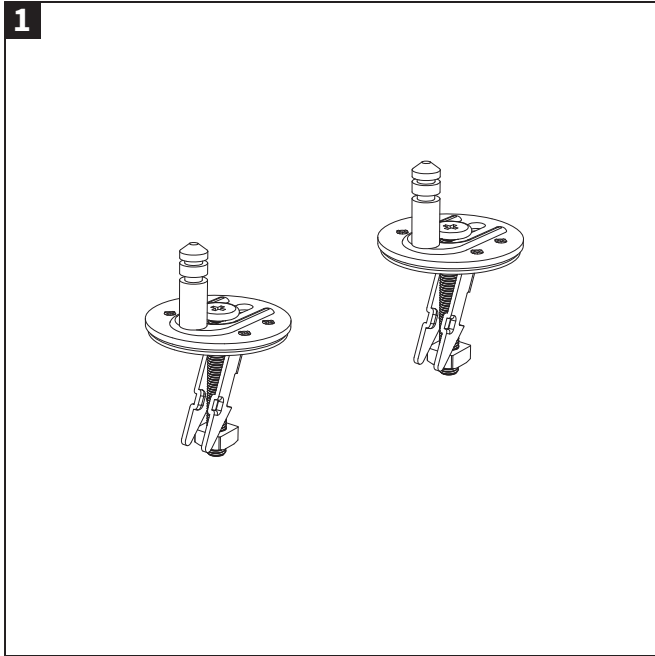
Secure the toilet to the concealed cistern and wall by tightening the grub screws to the bullet fixings.

Apply a flexible sealant around the top and rear of the toilet as shown, leave to dry for 24 hours before use.

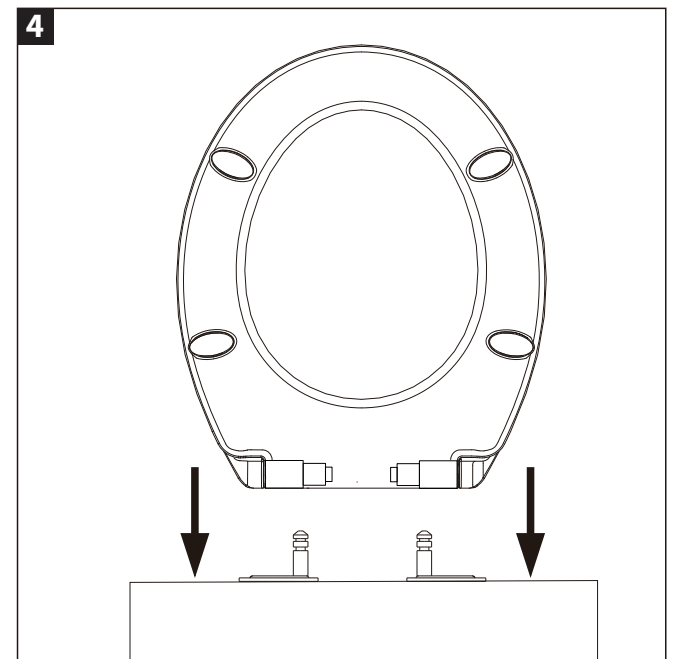
INSTALLATION

Installation Steps

Before installation, please check all spare parts are ready and match.



Do not fully tighten.

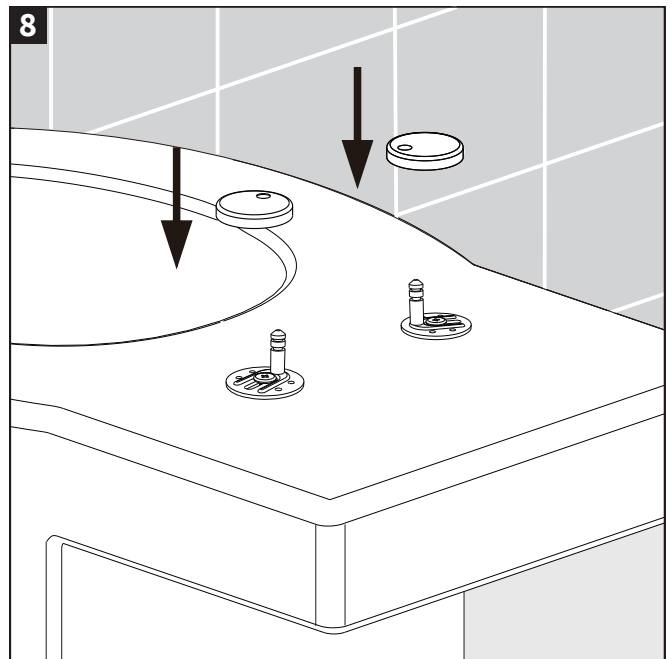
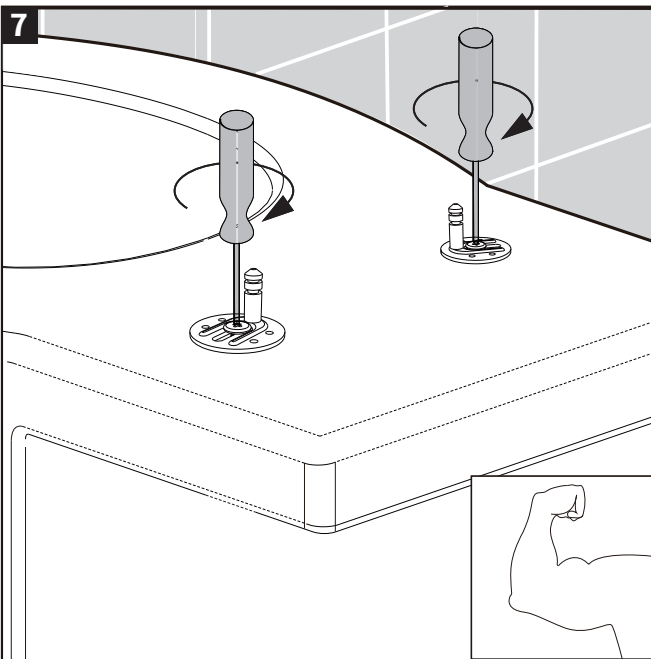
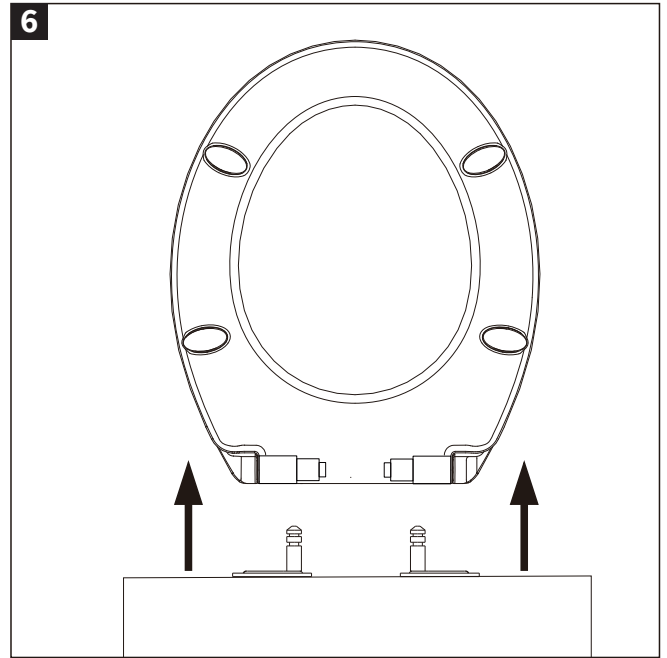
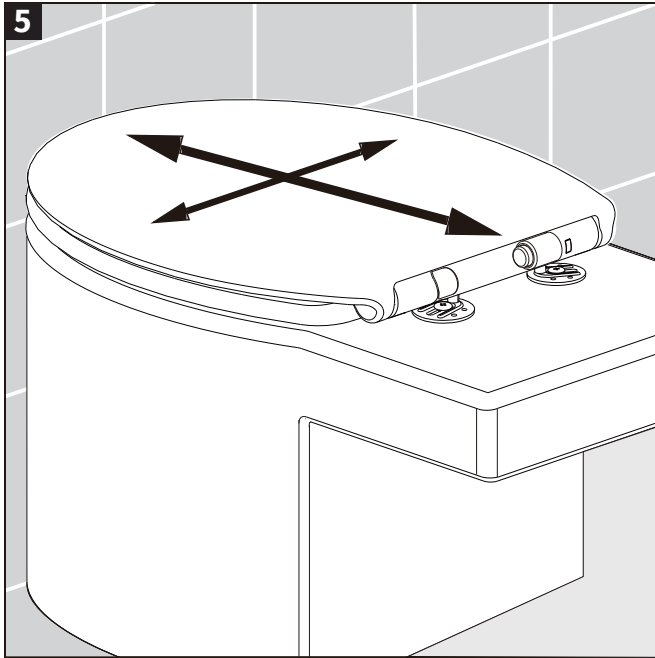


Before attaching the seat, move the mounting base so that the posts align with holes in the back of the seat. Once aligned, carefully lower the seat (holes) onto the mounting post.

INSTALLATION

Installation Steps

Before installation, please check all spare parts are ready and match.

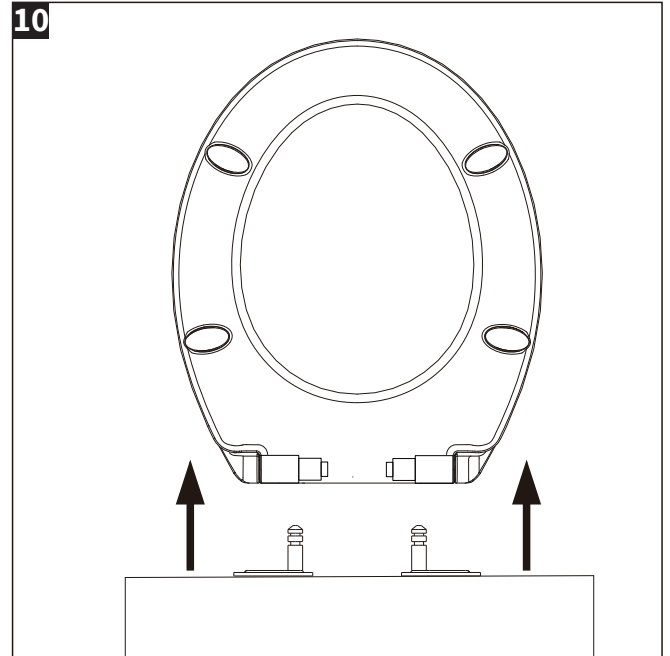
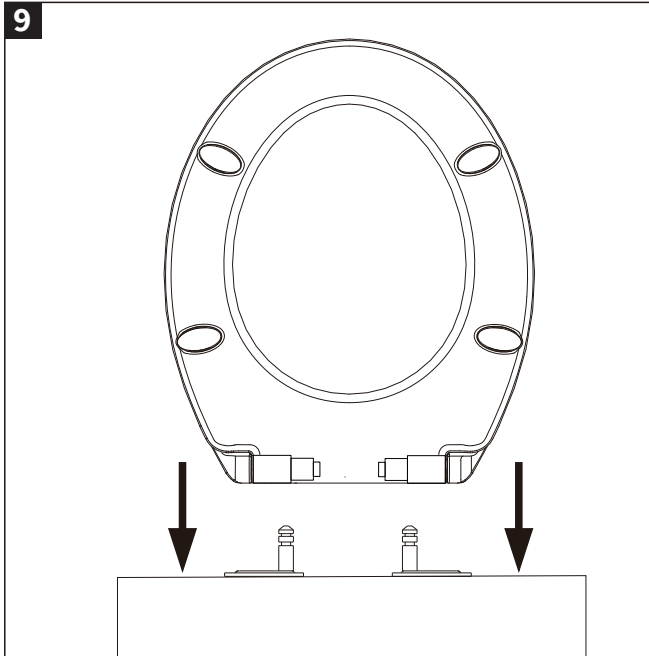


Once satisfied with the position, fully tighten the screws.

INSTALLATION

Installation Steps

Before installation, please check all spare parts are ready and match.



NOTE:

When mounting the seat make sure the posts align with the holes in the back of the seat. Carefully lower the seat back into place (a “click” will heard).

Do not push hard or force the seat onto the posts. (If difficult, re-check alignment.). Only install and dismantle the seat and cover at an angle of $90\pm 5^\circ$. Failure to do this will result in damage to the seat and cover.

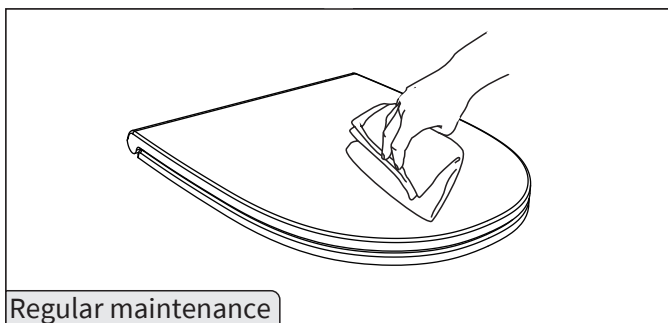
CARE & MAINTENANCE

Do not stand on the seat or lid as this can cause damage.

As with all toilets seats: If you use bleaches and strong cleaners in the pan, do not leave the seat closed whilst the cleaner acts on the pan- the fumes from bleaches & cleaners may destroy and/or discolour the finish on the seat.

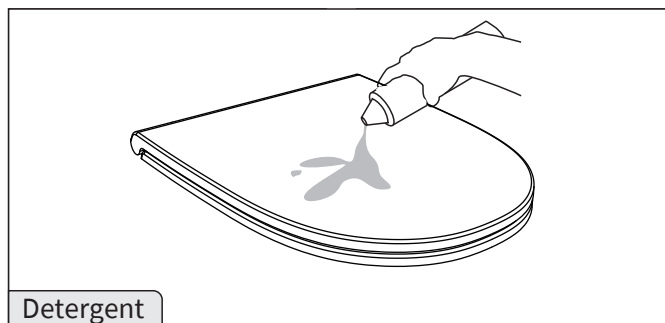


Attention: Be careful the damage of toilet seat. Don't stand on the toilet seat, overloading may lead to toilet seat crushing or hinges broken.



Regular maintenance

- Please clean the toilet seat with mild cleanser (such as soap water) and warm water, then dry it with clean soft cloth.
- Don't use the high-concentration detergent to clean, which may scratch the surface of the toilet seat and make the toilet seat tarnish.
- Please immediately wipe dry any foam on the surface of plastic toilet seat or electroplating cover.



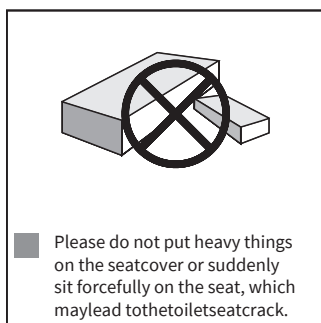
Detergent

- Don't clean the toilet seat with abrasive powder.
- Avoid using any disinfectant, detergent or any other spraying cleanser.
- Keep the toilet seat away from chemicals and cosmetics in bathroom.

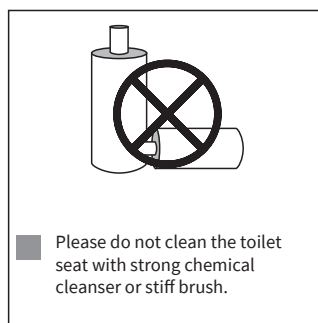
Cautions



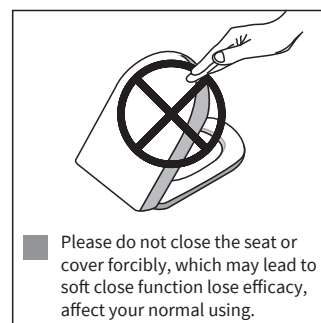
- Please do not expose the toilet seat directly to the sunlight for along time. Avoid any strong lights and high temperature.



- Please do not put heavy things on the seatcover or suddenly sit forcefully on the seat, which may lead to the toilet seat crack.



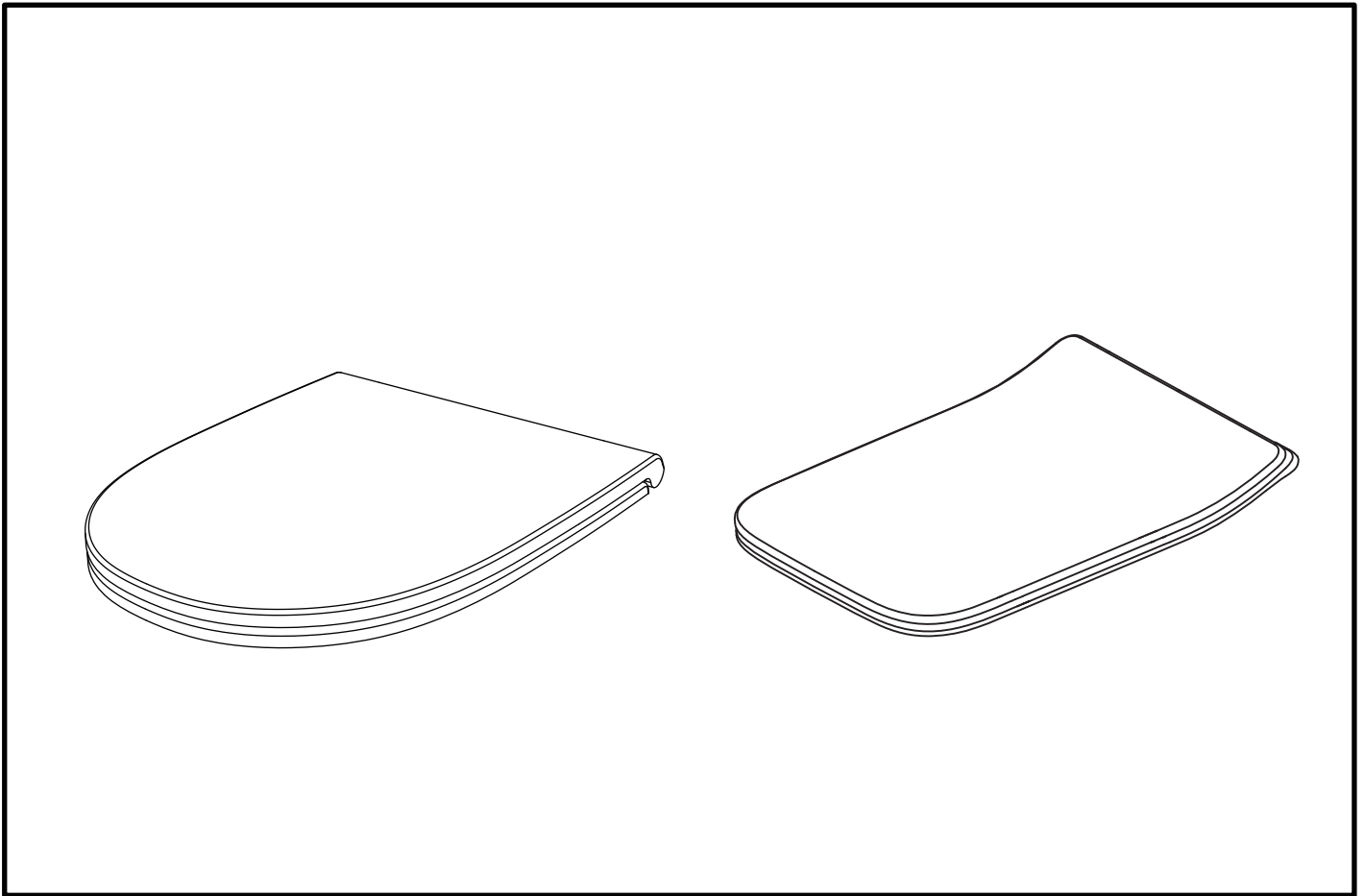
- Please do not clean the toilet seat with strong chemical cleanser or stiff brush.



- Please do not close the seat or cover forcibly, which may lead to soft close function lose efficacy, affect your normal using.

TOILET SEATS

Soft-close Seats with Button Release



IMPORTANT INFORMATION BEFORE YOU START

Please read carefully and keep this information for further reference.

Thank you for buying a Bathroom Brands Product. To ensure that it works to its full potential, it needs to be fitted correctly. Check the contents of the pack carefully before installation.

Bathroom Brands will not be held responsible for any de-fit/re-fit costs where faulty product has been fitted. If any fault is found with materials or workmanship, it must be reported immediately to the manufacturer. Remedial action will be taken, based on information received, on condition that:

1. Full details are supplied to the manufacturer.
2. The product has not been modified or tampered with;

3. The manufacturer is informed of any damage/shortages prior to installation.

4. The product has not been installed, or attempts have been made to install.

We do not accept responsibility for any problems that may occur through incorrect installation. This product should only be installed by a suitably qualified plumber/installer. Should the installation be completed by a non-qualified person any product guarantee maybe considered invalid. For a claim made under our warranty, written certification of your installer's qualifications may be required.

BEFORE YOU START

IMPORTANT INFORMATION

Please read carefully and keep this information for further reference.

Please check for any hidden pipes or electrical cables before drilling holes in the floor or walls. When using power tools always follow the manufacturer's user instructions. This installation guide details fitting to a solid wall. If your bathroom has studded/plasterboard walls, please use appropriate plasterboard fixings.

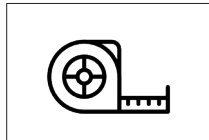
Make sure that the wall can take the weight of the products before undertaking the installation.

Fittings, when over tightened can create stress within the basin material which may in time cause the failure of the product. Care should also be taken when fitting a tap and waste to the basin in order to prevent similar stress related failures. Waste fittings should be carefully bedded in silicone and the back nut hand tightened; an additional quarter turn using a suitable spanner is sufficient to create the required watertight seal.

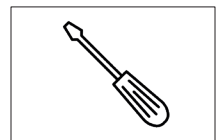
If any maintenance is required then it must be carried out by a qualified Plumber. The manufacturer reserves the right to make technical modifications without prior notice.

Tools Required (not supplied):

Tape Measure



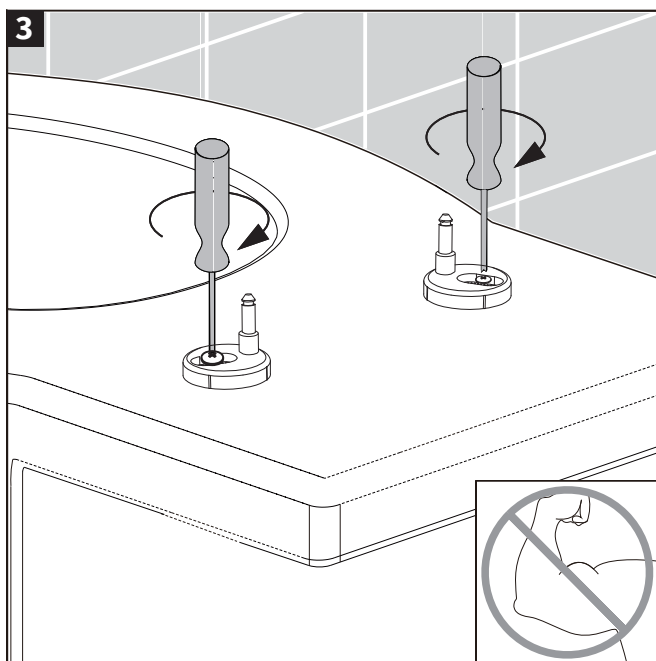
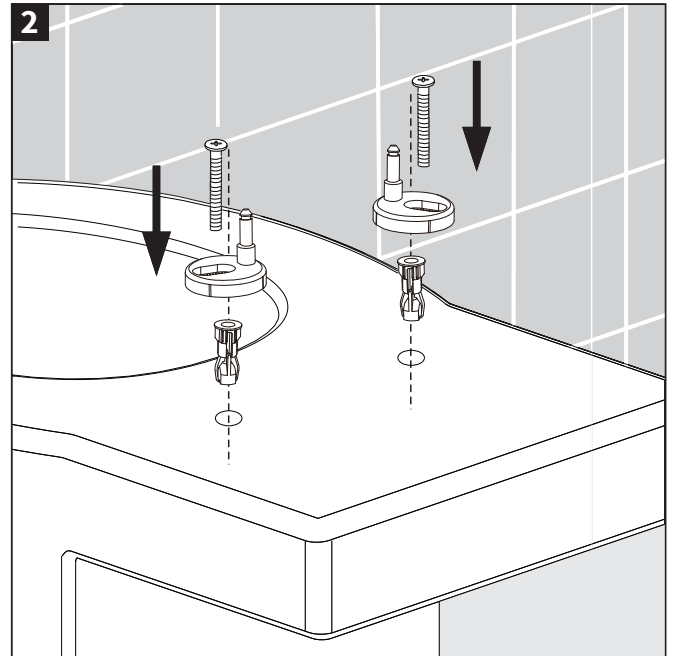
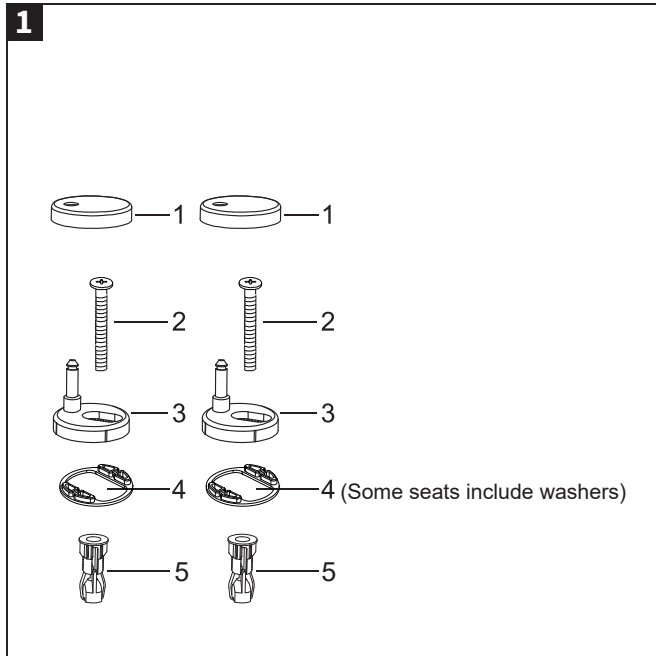
Screw Driver



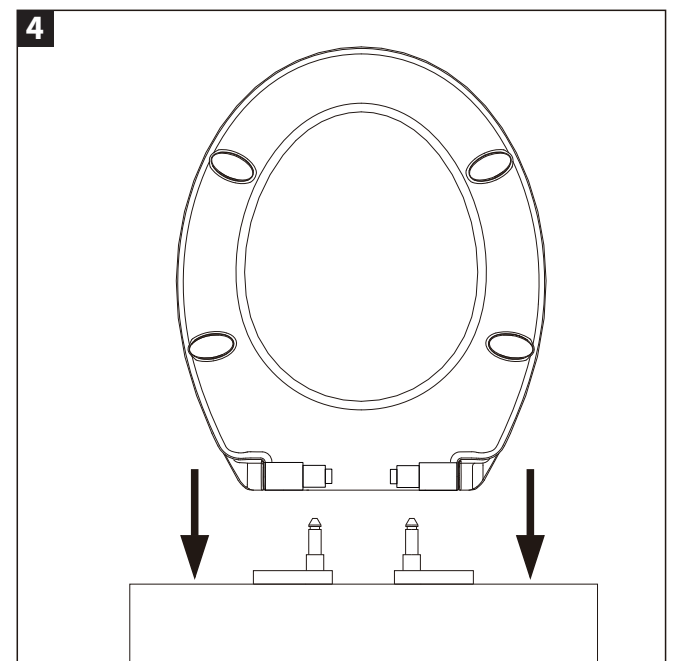
INSTALLATION

Installation Steps

Before installation, please check all spare parts are ready and match.



Do not fully tighten.

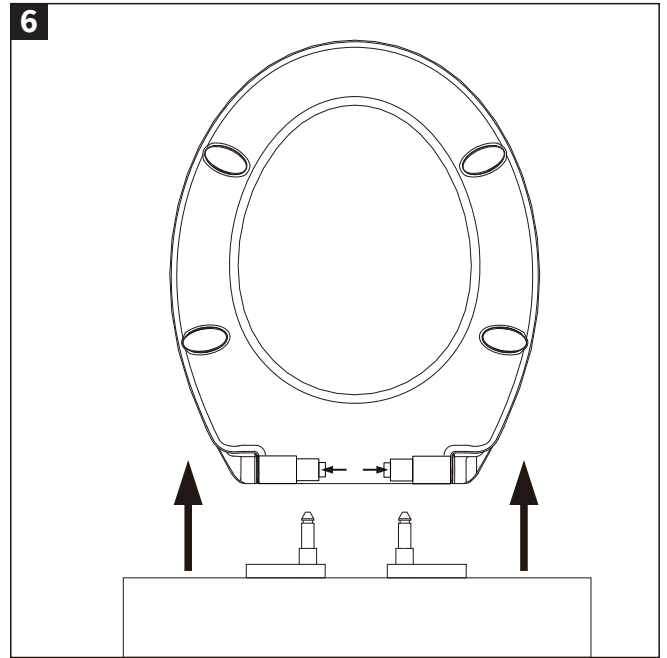
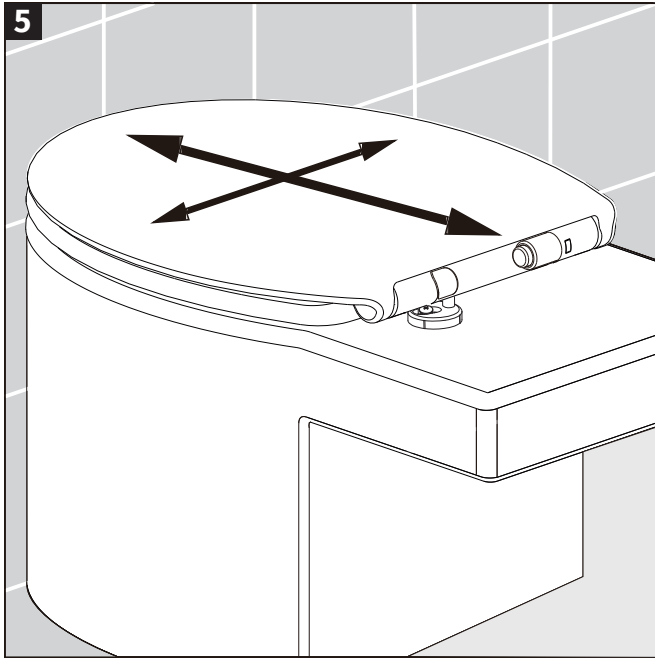


Before attaching the seat, move the mounting base so that the posts align with holes in the back of the seat. Once aligned, carefully lower the seat (holes) onto the mounting post.

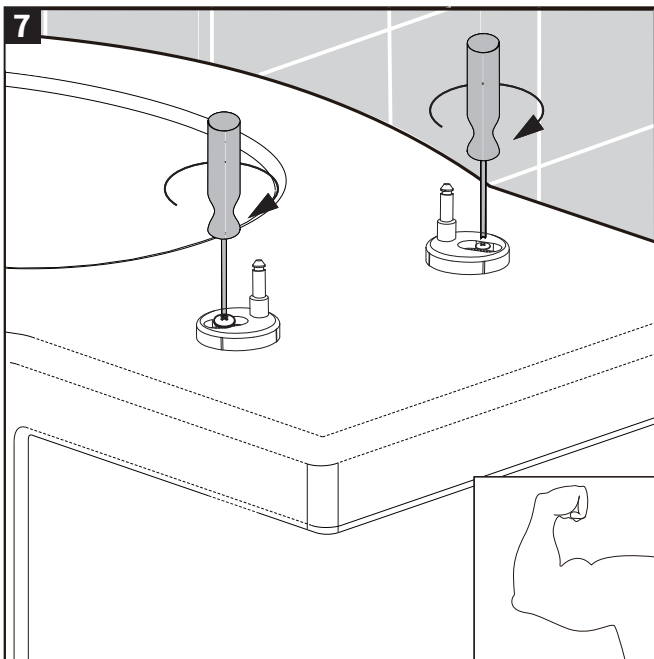
INSTALLATION

Installation Steps

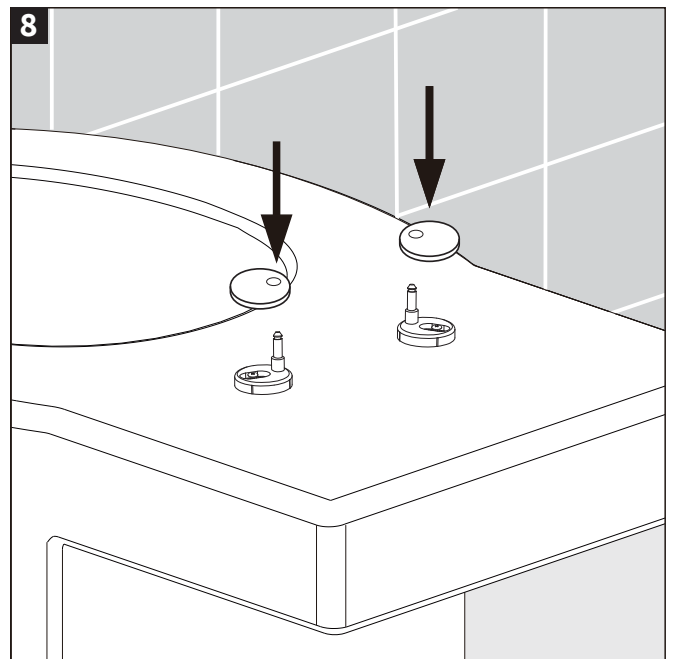
Before installation, please check all spare parts are ready and match.



To remove the seat press the quick release button and lift off.
Tip: The diagram is for reference only. Some seats feature two-button release; while some seats feature one-button release.



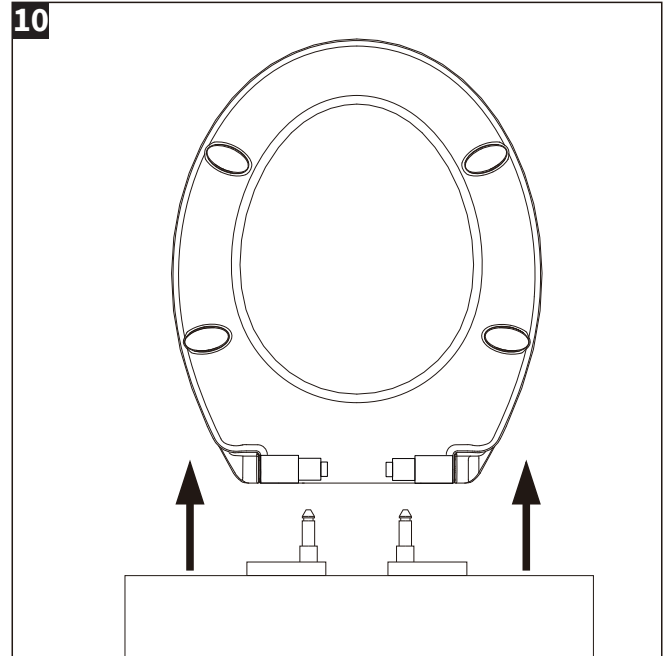
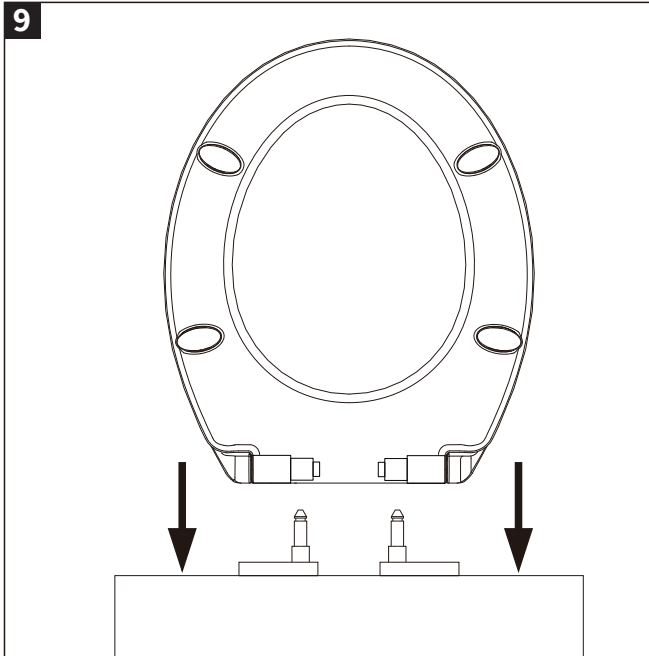
Once satisfied with the position, fully tighten the screws.



INSTALLATION

Installation Steps

Before installation, please check all spare parts are ready and match.



NOTE:

When mounting the seat make sure the posts align with the holes in the back of the seat. Carefully lower the seat back into place (a “click” will heard).

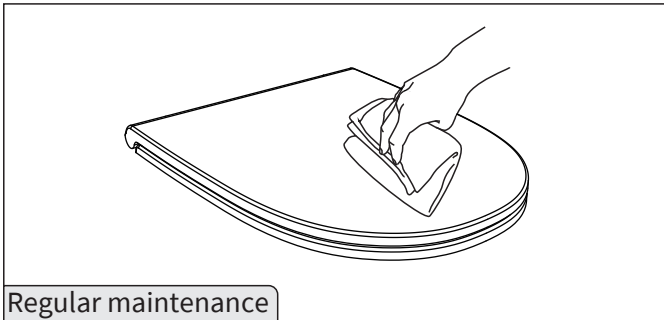
CARE & MAINTENANCE

Do not stand on the seat or lid as this can cause damage.

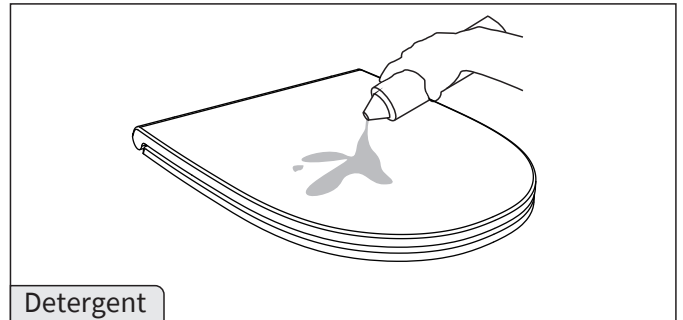
As with all toilets seats: If you use bleaches and strong cleaners in the pan, do not leave the seat closed whilst the cleaner acts on the pan- the fumes from bleaches & cleaners may destroy and/or discolour the finish on the seat.



Attention: Be careful the damage of toilet seat. Don't stand on the toilet seat, overloading may lead to toilet seat crushing or hinges broken.



- Please clean the toilet seat with mild cleanser (such as soap water) and warm water, then dry it with clean soft cloth.
- Don't use the high-concentration detergent to clean, which may scratch the surface of the toilet seat and make the toilet seat tarnish.
- Please immediately wipe dry any foam on the surface of plastic toilet seat or electroplating cover.



- Don't clean the toilet seat with abrasive powder.
- Avoid using any disinfectant, detergent or any other spraying cleanser.
- Keep the toilet seat away from chemicals and cosmetics in bathroom.

Cautions

