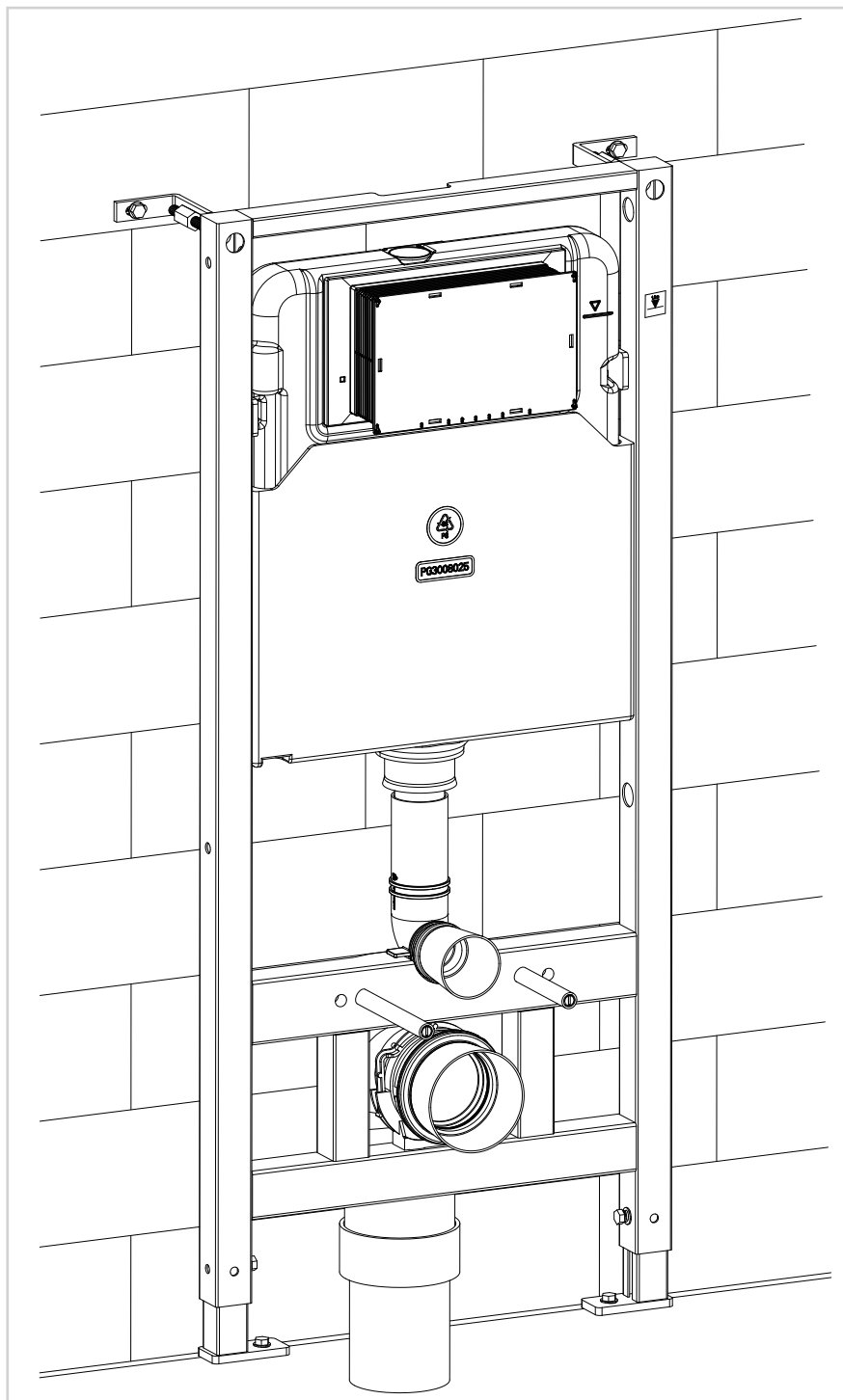


# CISTERN & FRAME

WC SUPPORT FRAME



**PRODUCT CODES:**

WCF114X51R

BR\_WCF114X51R



## BEFORE YOU START



### IMPORTANT INFORMATION BEFORE YOU START

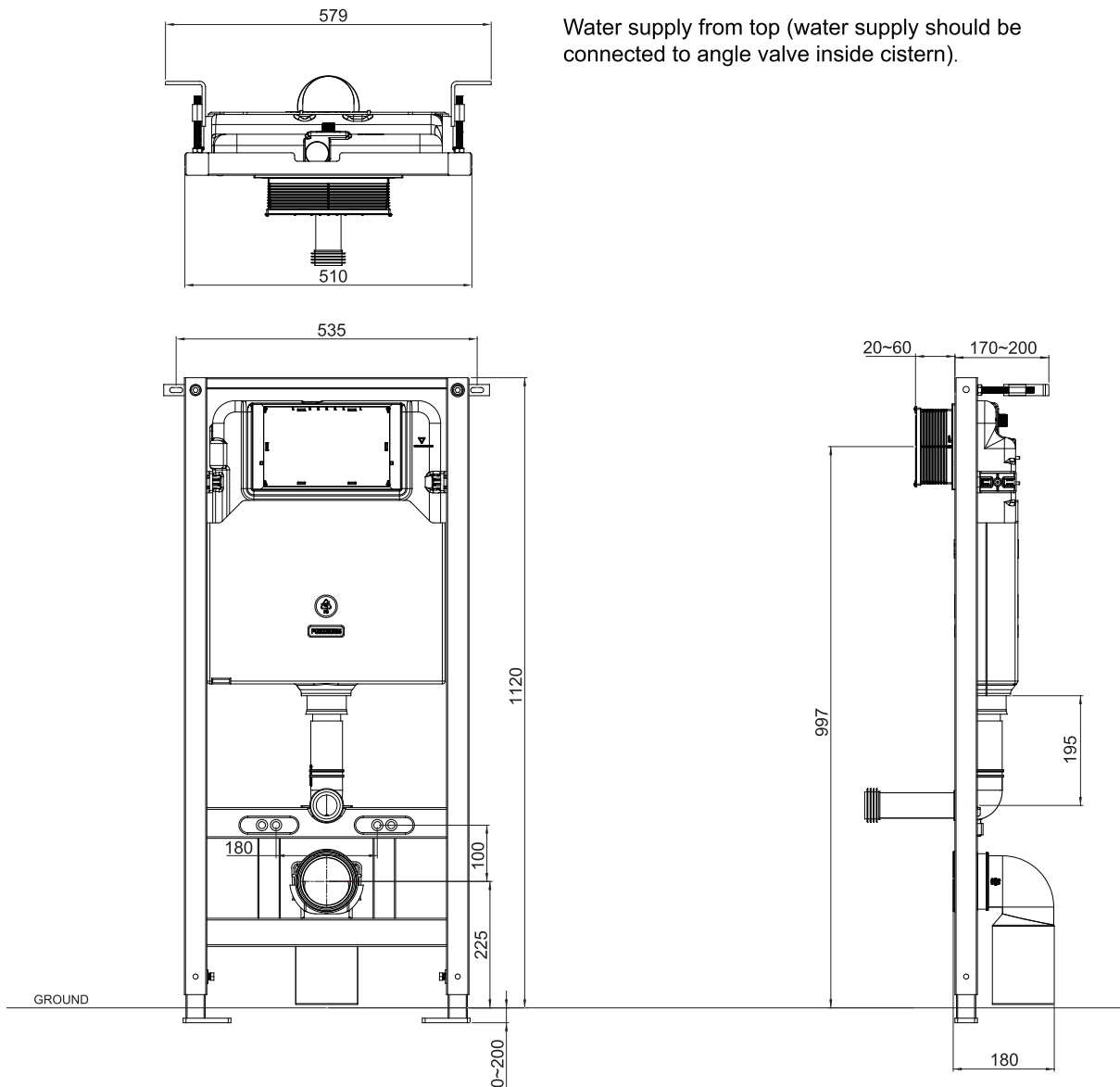
Please read carefully and keep this information for reference. Thank you for buying a Bathroom Brands Product. To ensure that it works to its full potential, it needs to be fitted correctly. Check the contents of the pack carefully before installation.

Bathroom Brands will not be held responsible for any re-fit costs where faulty product has been installed. If any fault is found with materials or workmanship, it must be reported immediately to the manufacturer. Remedial action will be taken based on information received, on condition that:

1. Full details are supplied to the manufacturer.
2. The product has not been modified or tampered with.
3. The manufacturer is informed of any damage/shortages prior to installation.
4. The product has not been installed, or attempts have been made to install.

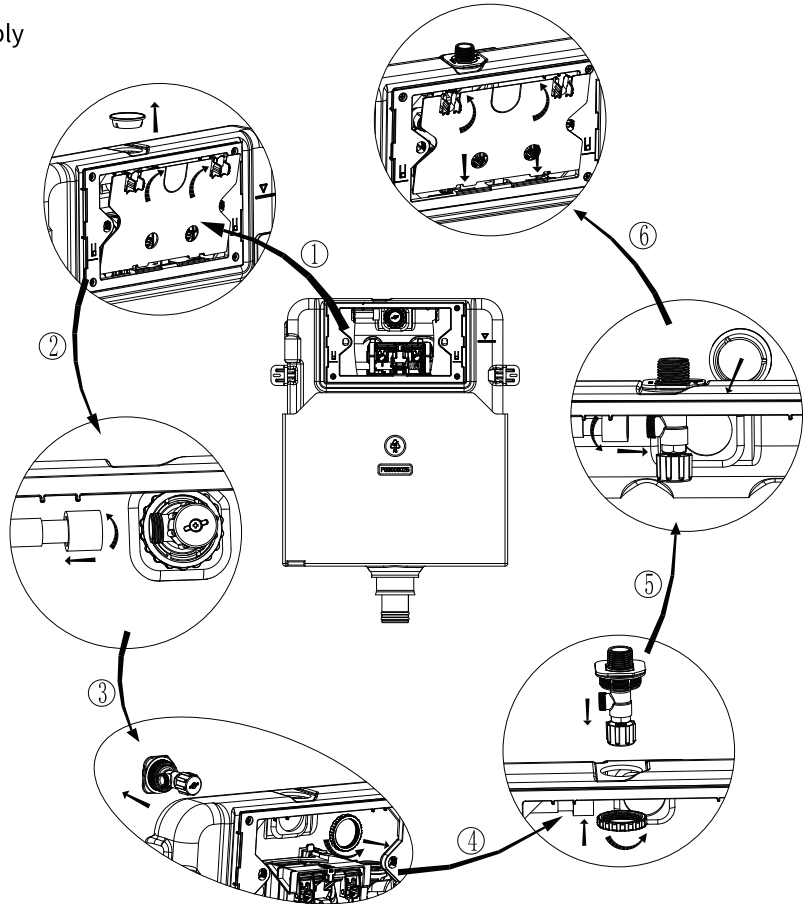
We do not accept responsibility for any problems that may occur through incorrect installation. This product should only be installed by a suitably qualified plumber/installer.

Should the installation be completed by a non-qualified person any product guarantee maybe considered invalid.

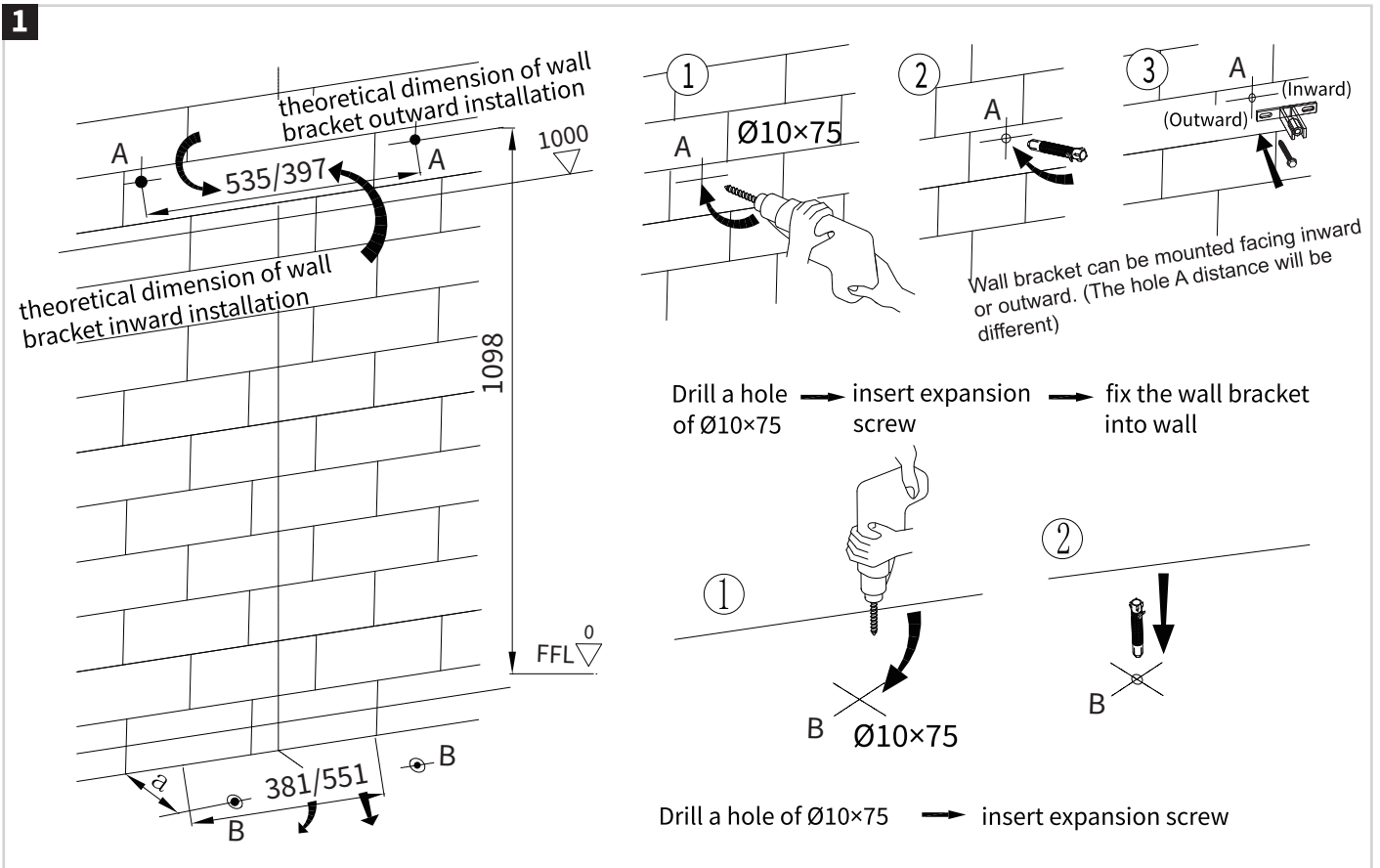


## Switch between back water supply and top water supply

Note: In case the back water supply is not feasible in actual installation, switch to top water supply referencing below chart.

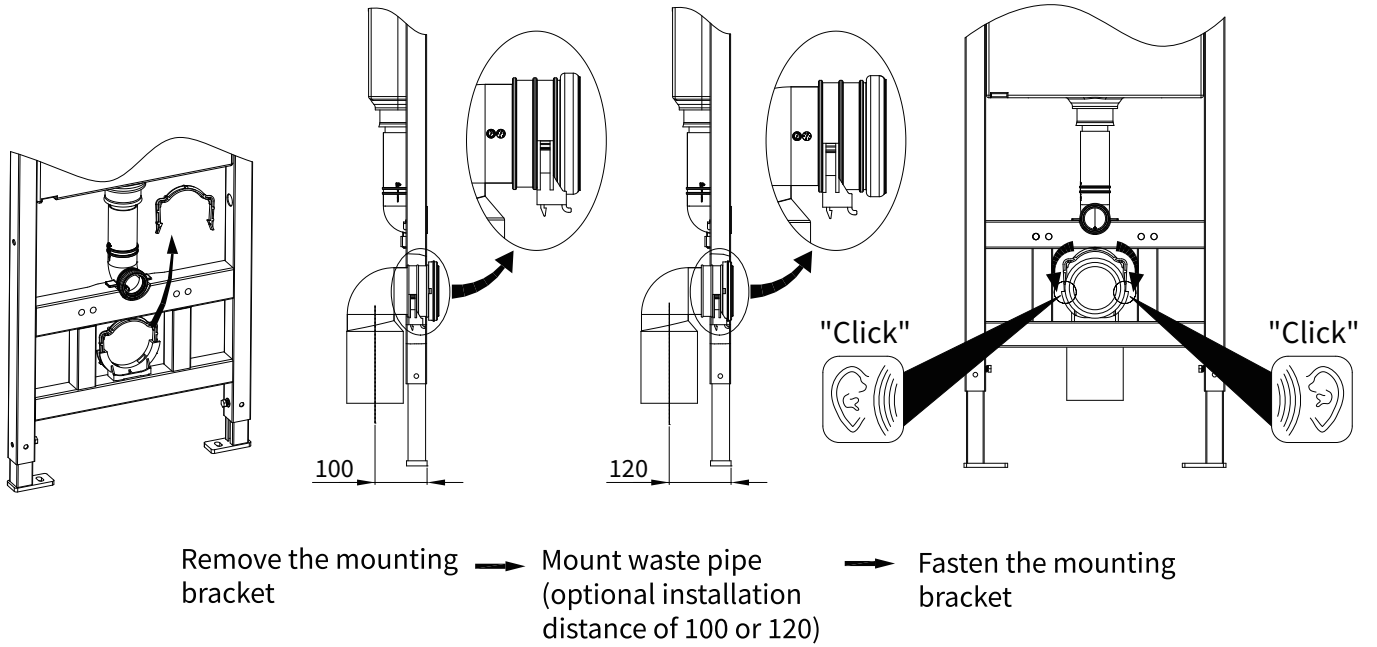


## INSTALLATION

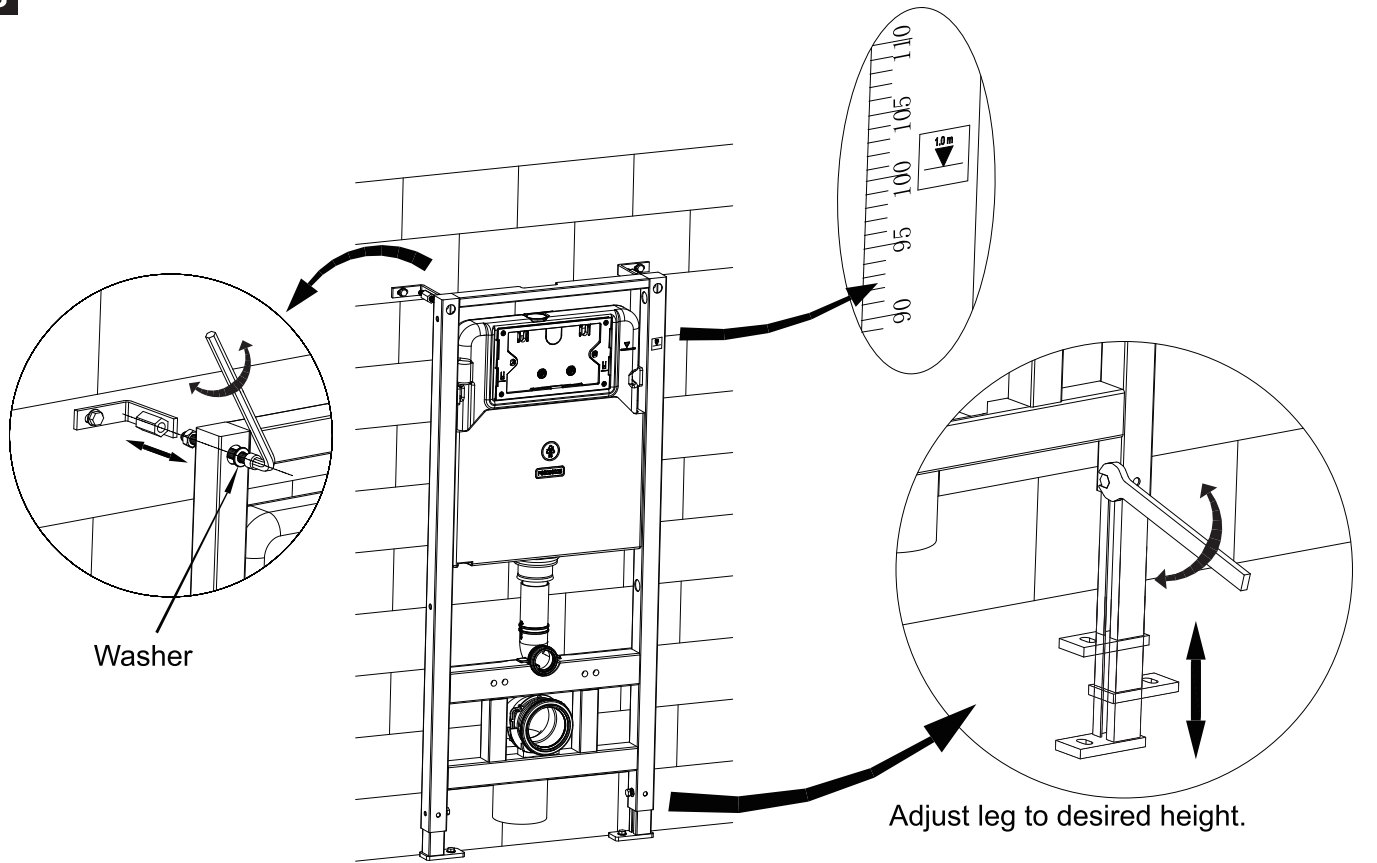


# INSTALLATION

2

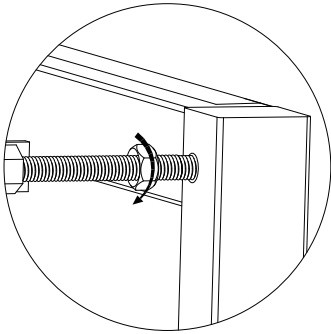


3

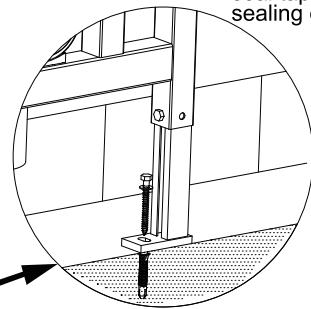
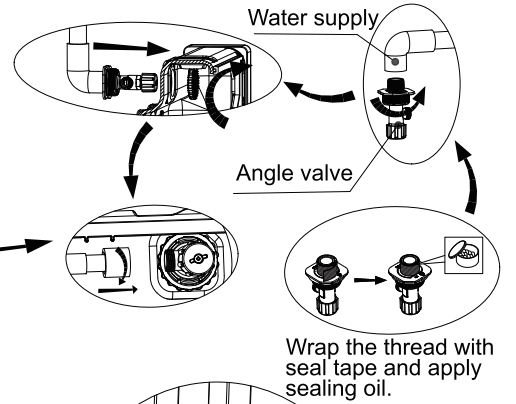
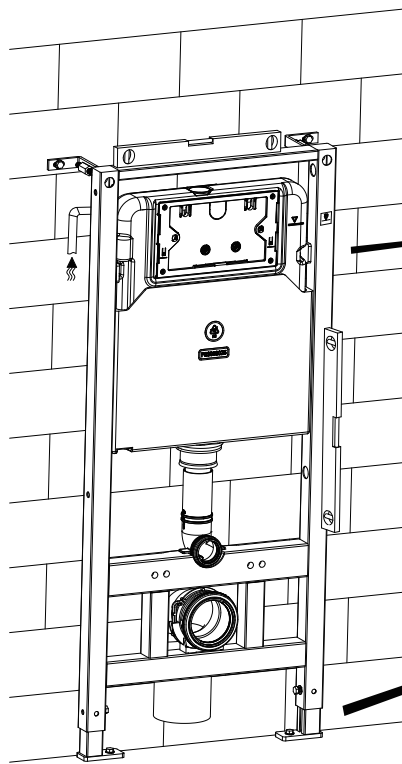


# INSTALLATION

4

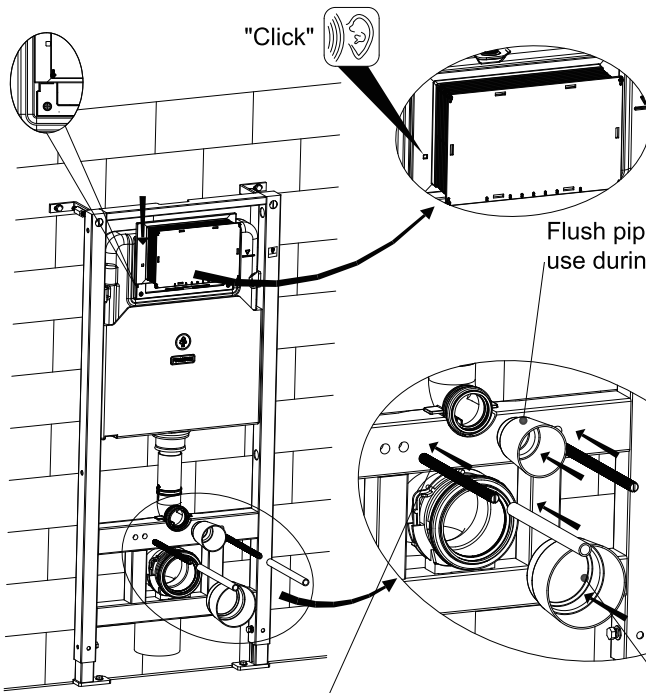


Nut should be finger tight only until frame position has been adjusted. Fully tighten when in finished position.



Loosely install expansion screw, tighten when frame position is fully adjusted.

5

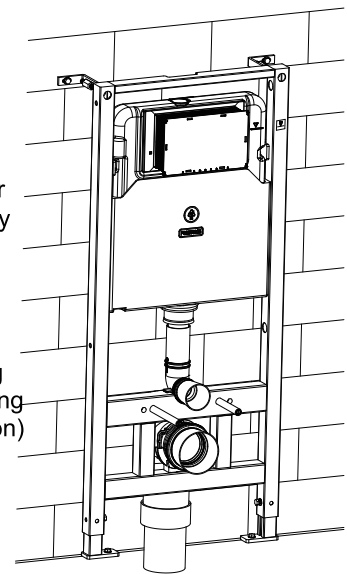


Connecting screw (to mount wall hung pan)

Flush pipe blanking plug for use during construction only

Protective cover (to protect connecting screw during construction)

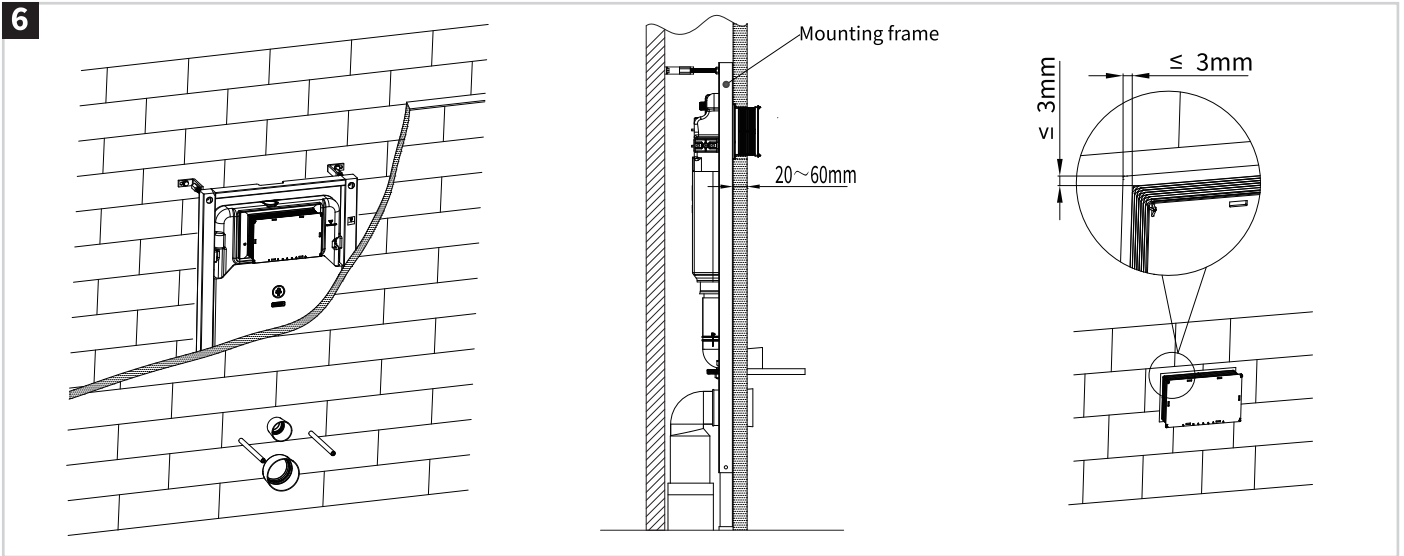
Waste pipe blanking plug for use during construction only



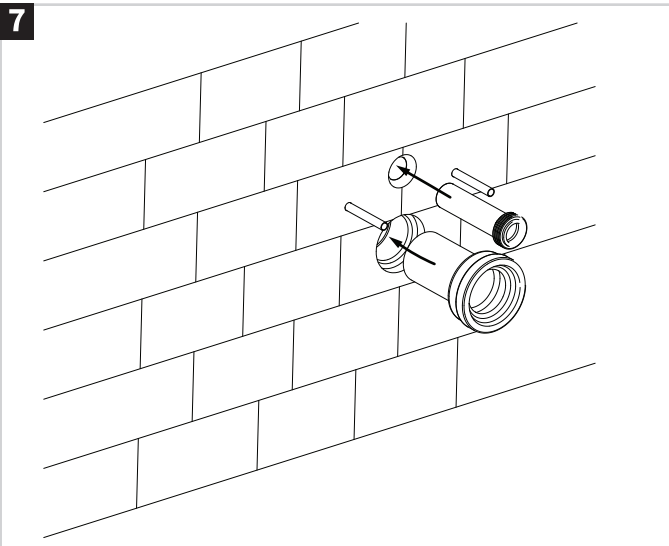
Finished assembly drawing.

# INSTALLATION

6

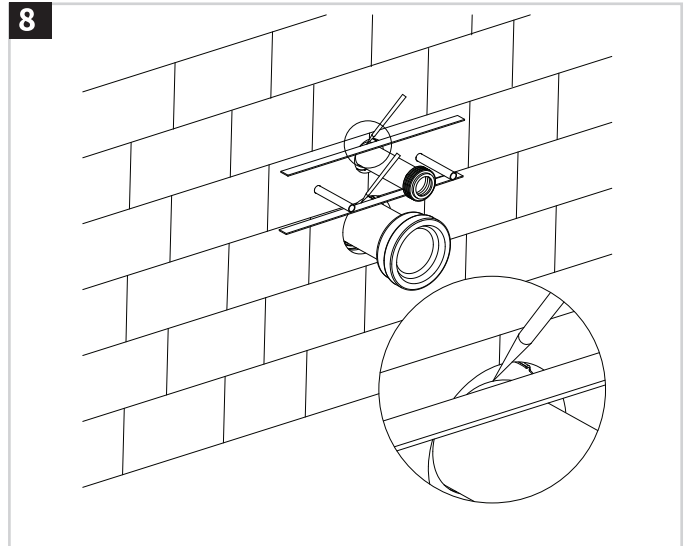


7



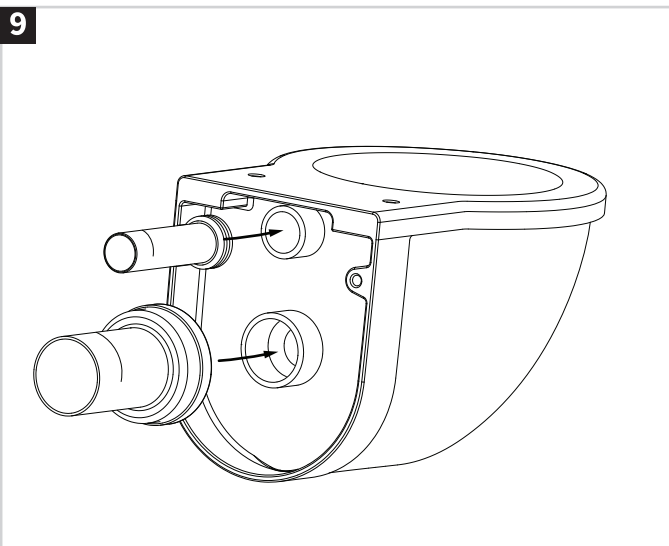
Fully insert the flush and waste pipes.

8



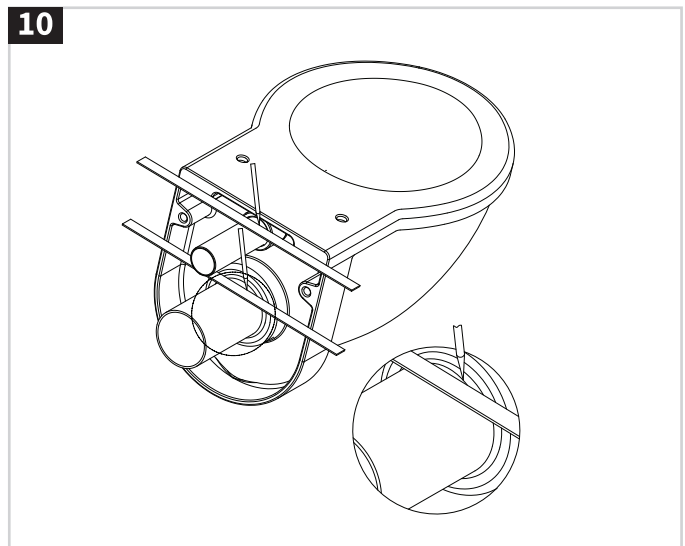
Draw line as above picture.

9



Connect flush and waste pipes to pan.

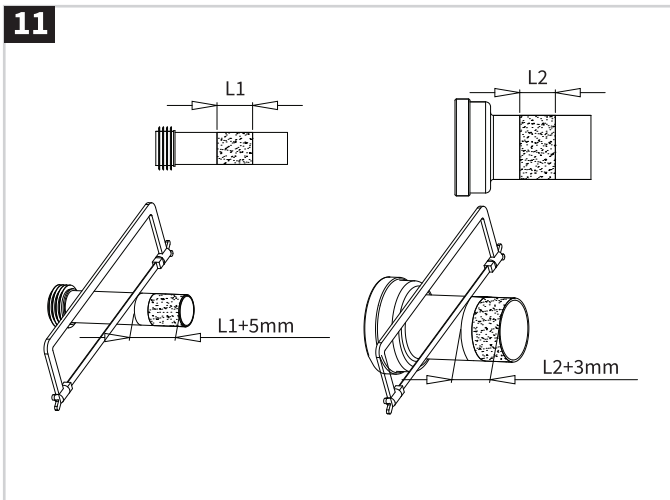
10



Draw the lines as above picture.

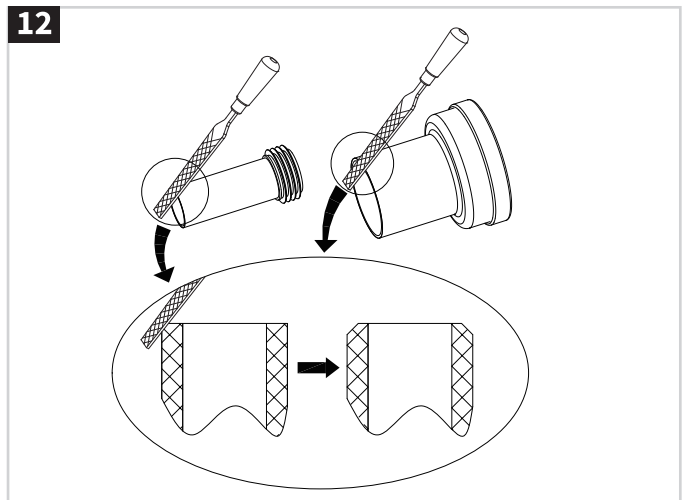
## INSTALLATION

**11**



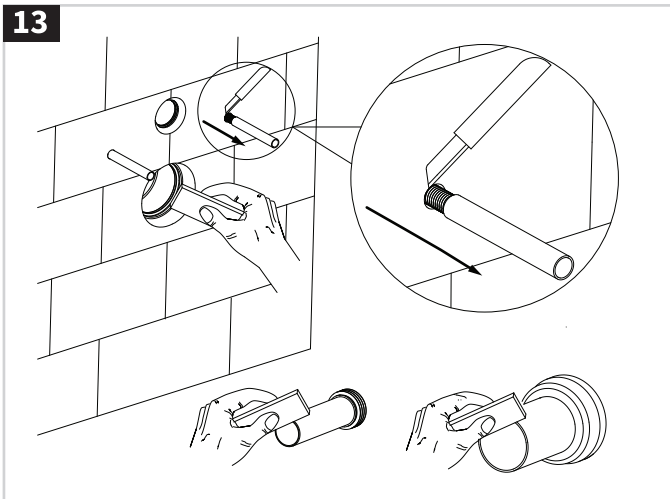
As per drawing, L1 is distance between the two lines on straight tube. L2 is the distance between the two lines on connecting pipe. Cut the flush and waste pipes per drawing

**12**



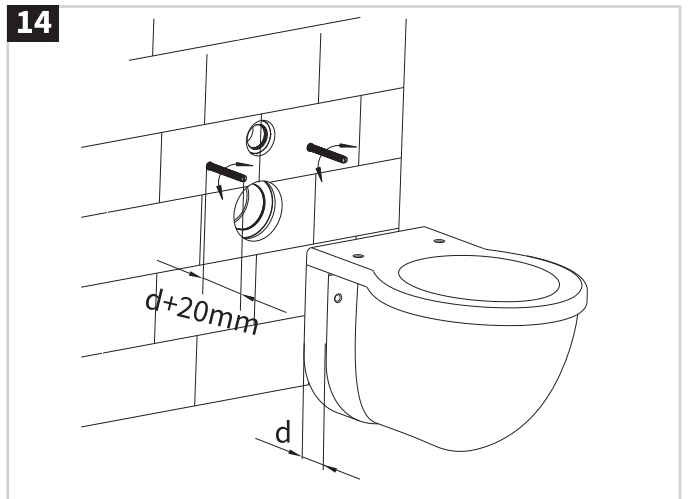
Chamfer and deburr pipe ends as appropriate.

**13**



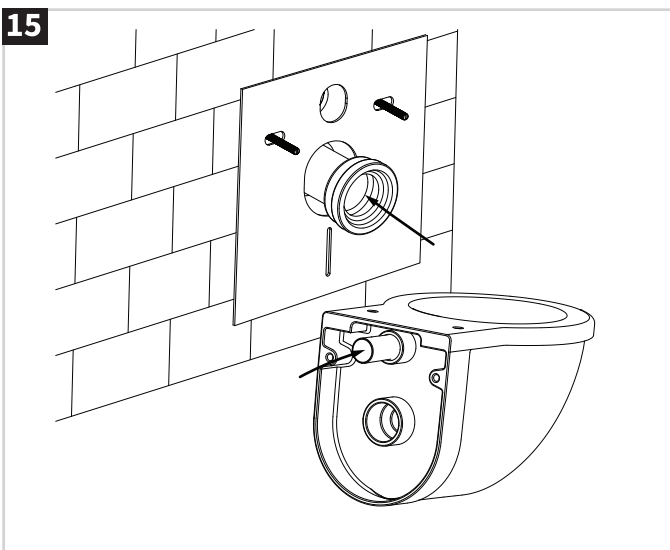
Cut the protection sleeve outside of the wall with a knife.

**14**



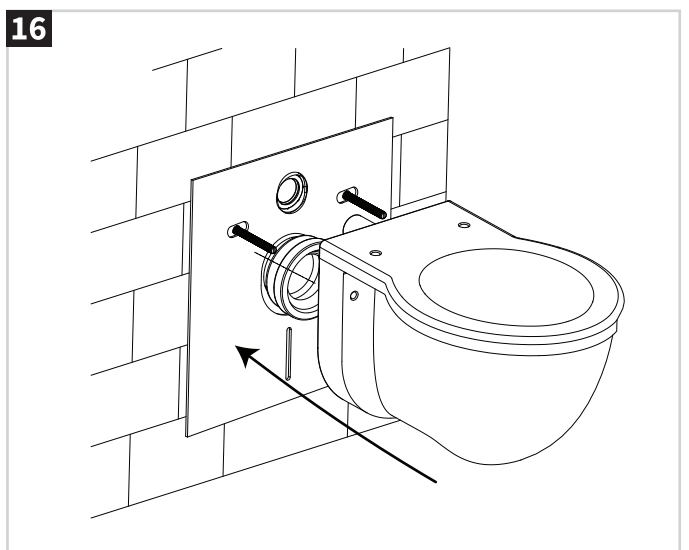
Adjust length of connecting bolt to be  $d+20\text{mm}$

**15**



Insert flush pipe connector in pan and waste pipe connector to frame.

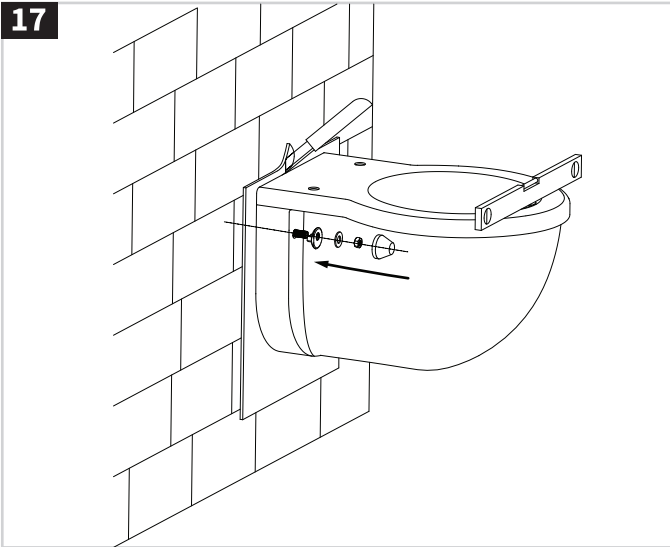
**16**



Mounting the wall hung pan.

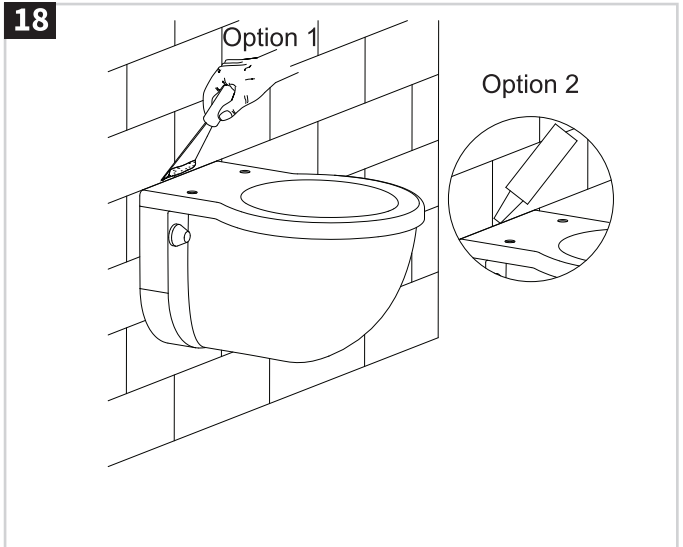
## INSTALLATION

17



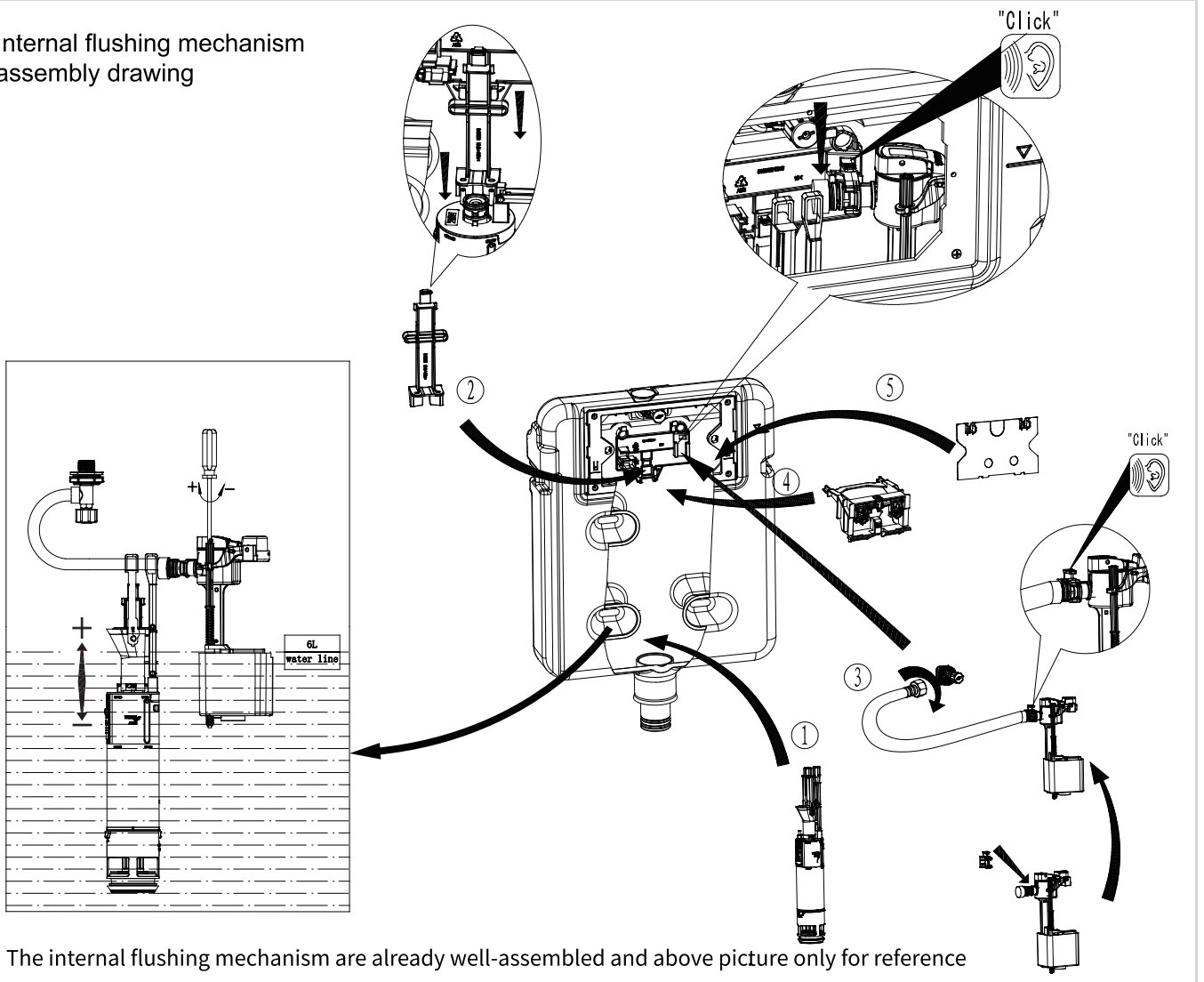
Once flush and waste pipes are properly seated secure the pan to the wall/frame with fixings supplied.

18



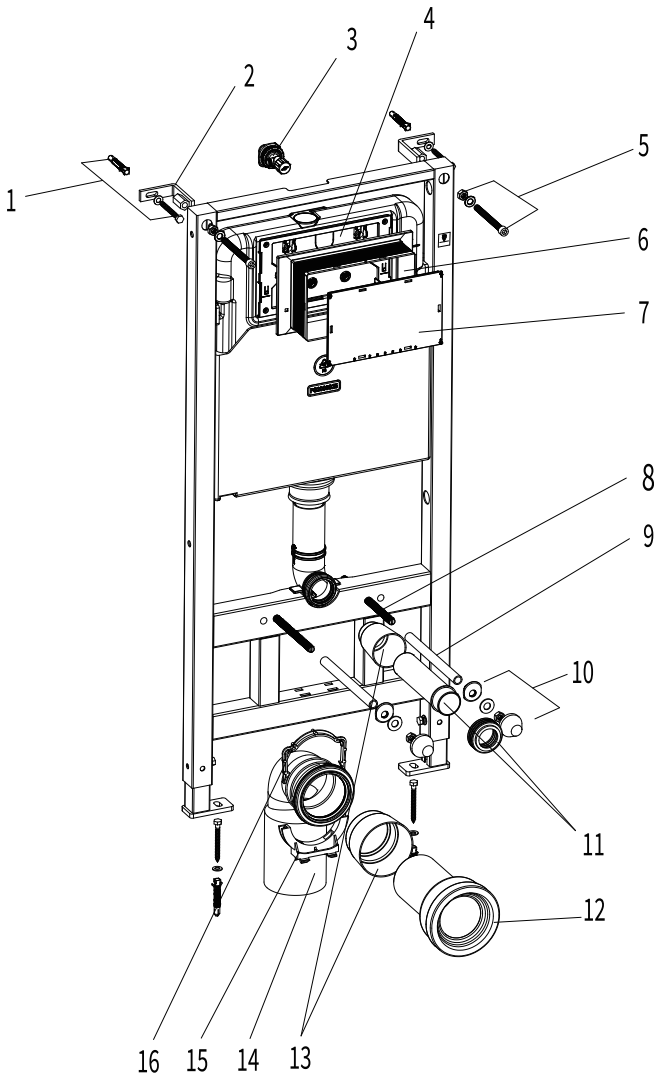
Once pan is installed, check for function and leaks. Once complete seal the joint between the pan and wall as appropriate.

### Internal flushing mechanism assembly drawing



The internal flushing mechanism are already well-assembled and above picture only for reference

## INSTALLATION



Compatible with following flush plates :

VENFLUSHC	BR_VENFLUSHC
VENFLUSHB	BR_VENFLUSHB
VENFLUSHF	BR_VENFLUSHF
VENFLUSHV	BR_VENFLUSHV
VENFLUSHT	
VENFLUSHBZ	BURPLATEC
MPROFLUSHC	BURPLATEG
MPROFLUSHB	BURPLATEL
MPROFLUSHF	
MPROFLUSHV	
MPROFLUSHT	
MPROFLUSHBZ	
MPROSPLATEC	
MPROSPLATEB	
MPROSPLATEF	
MPROSPLATEV	
MPROSPLATET	
MPROSPLATEBZ	

### List of main installation accessories

NO.	Description	Qty	Function
1	Expansion screw	4	Mounting of frame and wall bracket
2	Wall bracket	2	Fixation of frame
3	Angle valve	1	Fill valve inlet and shut-off
4	Cistern cover	1	Airproof tank and mounting of locking bracket
5	Socket head screw	2	Mounting of frame and locking into wall bracket
6	Plastic holder	1	To reserve space for installation of actuator at wall building
7	Plastic holder cover	1	To prevent dust and impurities into tank at wall building
8	Connecting screw	2	To mount ceramic bowl
9	Protective cover	2	To protect connecting screw at wall building
10	Ceramic bowl fixing accessories	2	To mount ceramic bowl
11	Straight tube	1	To joint cistern into ceramic bowl
12	Connecting pipe	1	(cutting in accordance with wall thickness)
13	Piping stopper	2	To reserve space for straight tube and connecting pipe
14	Draining syphon	1	To discharge liquid and solid waste from ceramic bowl.
15	Draining syphon holder	1	To mount draining syphon
16	Mounting bracket	1	

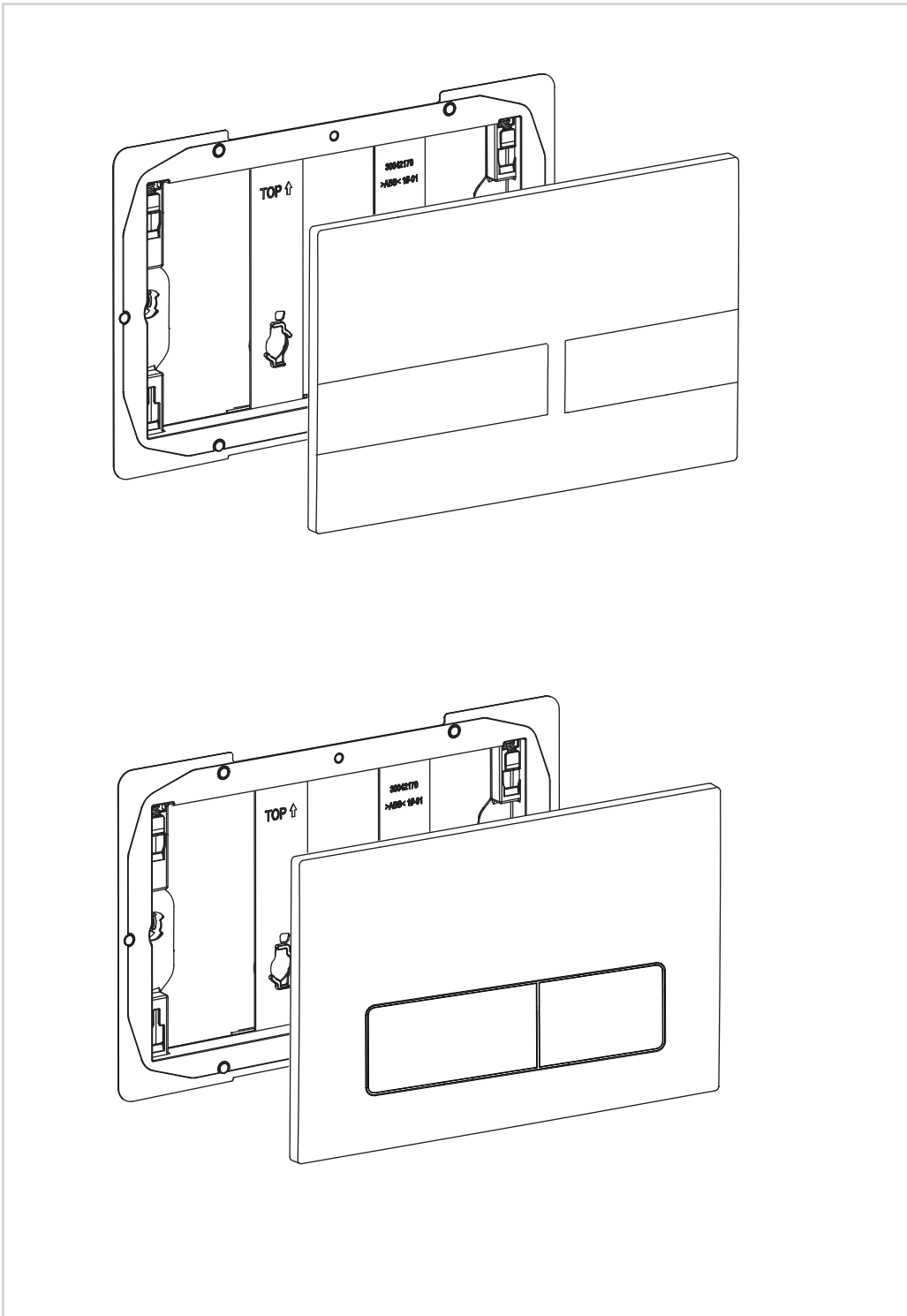


## CARE & MAINTENANCE

Do not use cleaning agents containing chlorine, acids or abrasive agents which could damage the surface.  
Clean only with a soft cloth using a mild detergent and dry with a micro fibre cloth or similar.

# CISTERN & FRAME

FLUSH PLATE



## PRODUCT CODES:

VENFLUSHC  
VENFLUSHB  
VENFLUSHF  
VENFLUSHV  
VENFLUSHT  
VENFLUSHBZ  
MPROFLUSHC  
MPROFLUSHB  
MPROFLUSHF  
MPROFLUSHV  
MPROFLUSHT  
MPROFLUSHBZ

BR\_VENFLUSHC  
BR\_VENFLUSHB  
BR\_VENFLUSHF  
BR\_VENFLUSHV

## **BEFORE YOU START**



### **IMPORTANT INFORMATION BEFORE YOU START**

Please read carefully and keep this information for reference. Thank you for buying a Bathroom Brands Product. To ensure that it works to its full potential, it needs to be fitted correctly. Check the contents of the pack carefully before installation.

Bathroom Brands will not be held responsible for any re-fit costs where faulty product has been. If any fault is found with materials or workmanship, it must be reported immediately to the manufacturer. Remedial action will be taken based on information received, on condition that:

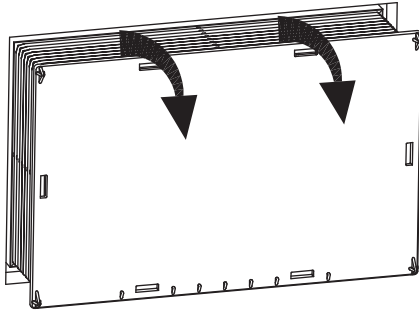
1. Full details are supplied to the manufacturer.
2. The product has not been modified or tampered with.
3. The manufacturer is informed of any damage/shortages prior to installation.
4. The product has not been installed, or attempts have been made to install.

We do not accept responsibility for any problems that may occur through incorrect installation. This product should only be installed by a suitably qualified plumber/installer.

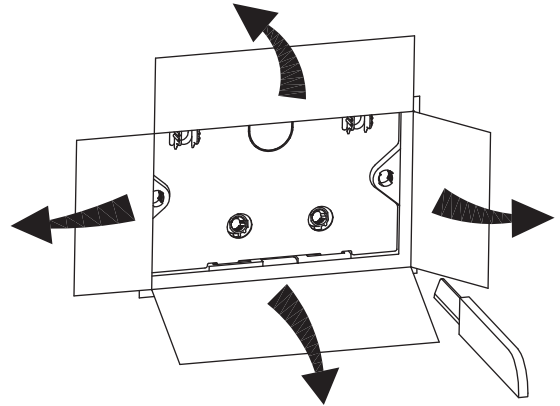
Should the installation be completed by a non-qualified person any product guarantee maybe considered invalid.

# INSTALLATION

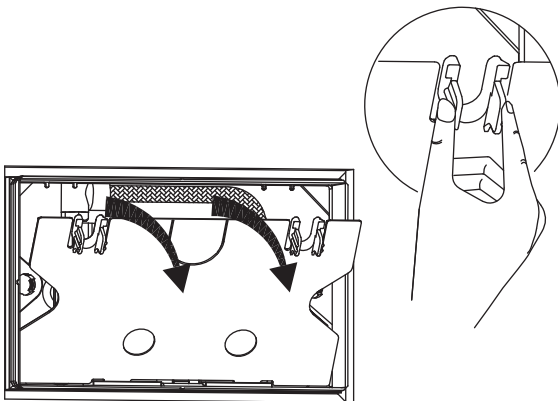
1



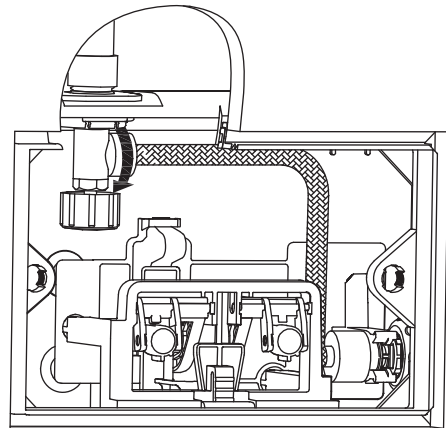
2



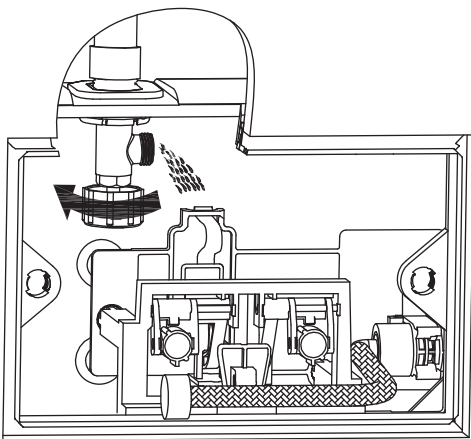
3



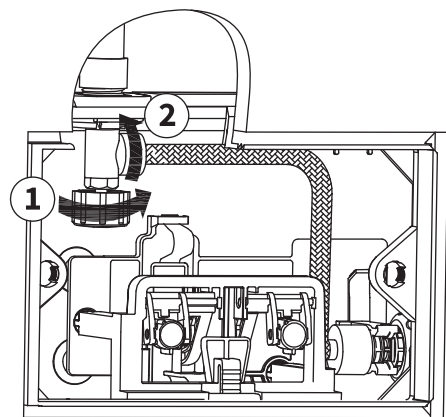
4



5

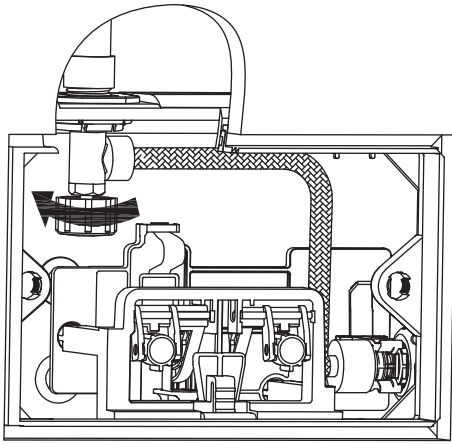


6

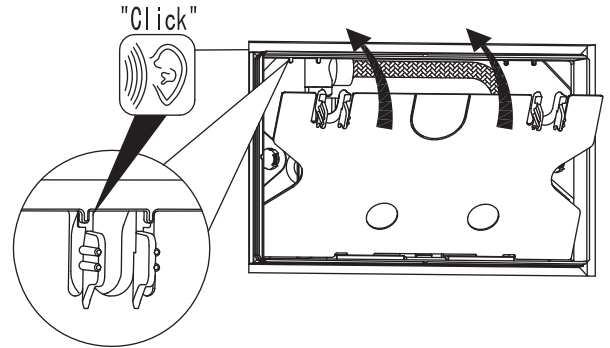


# INSTALLATION

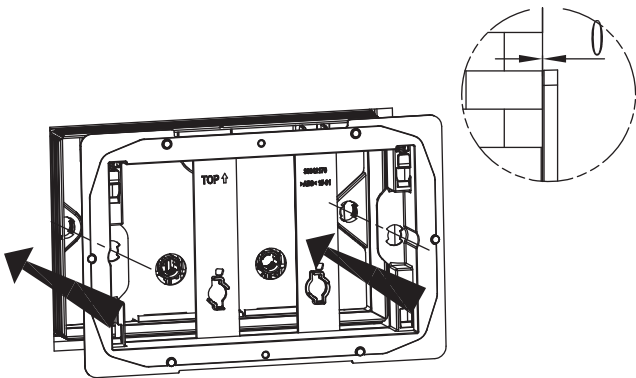
7



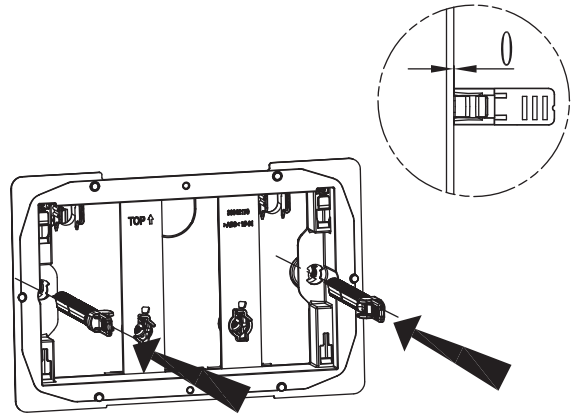
8



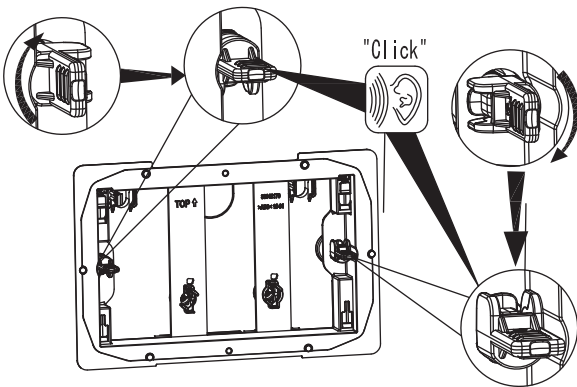
9



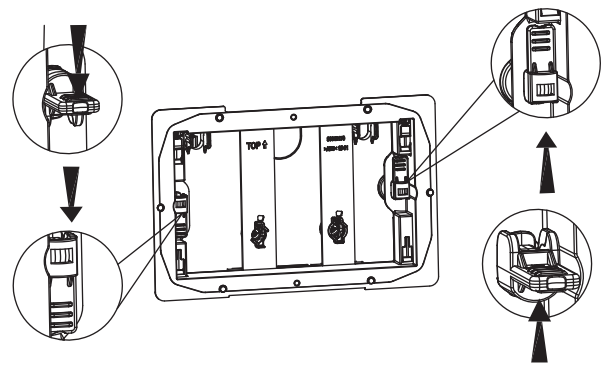
10



11

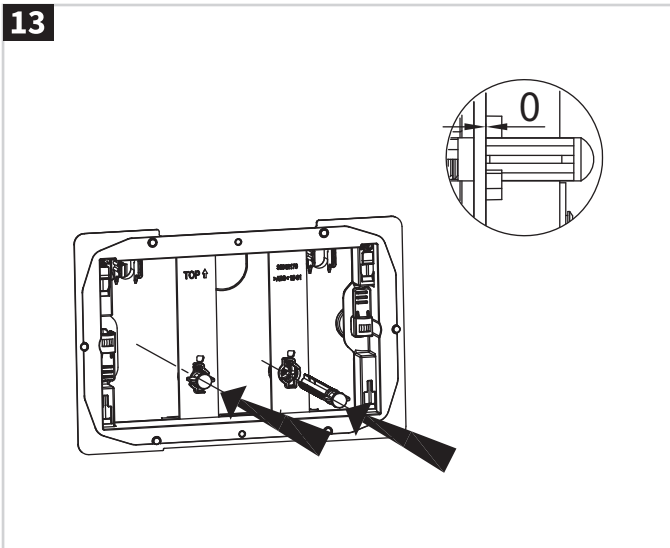


12

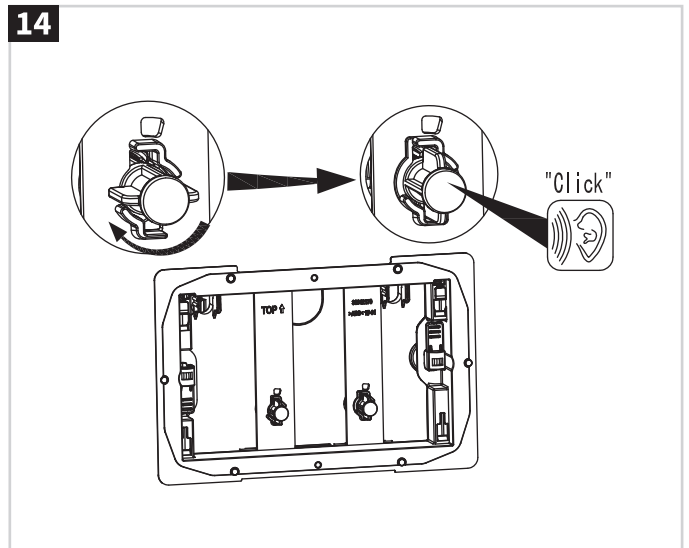


## INSTALLATION

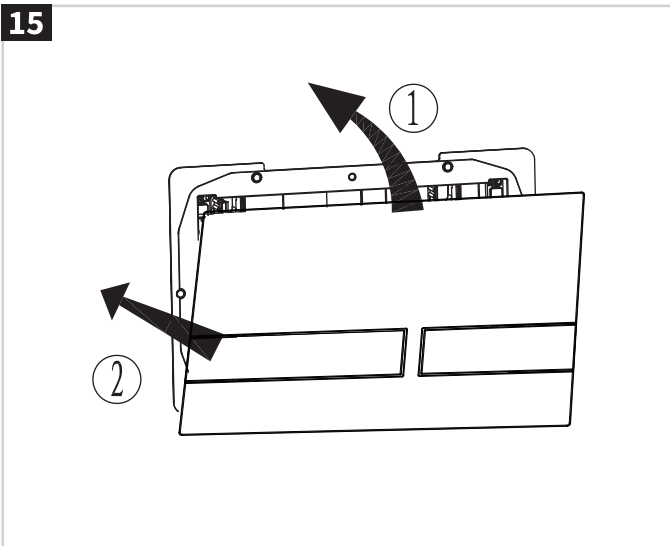
13



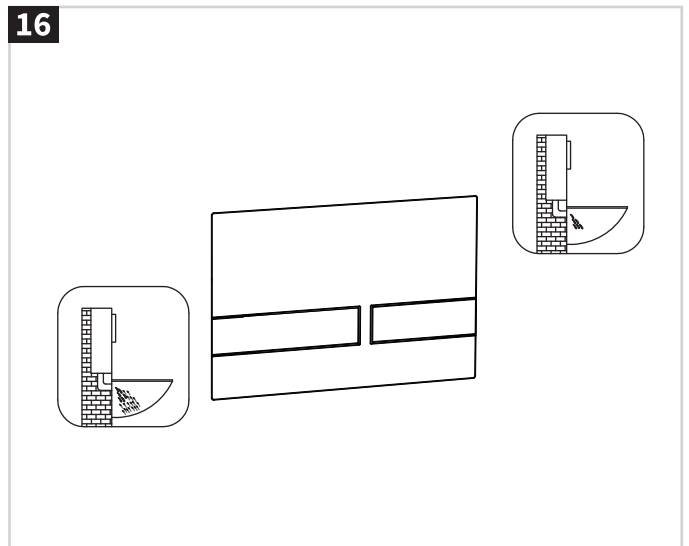
14



15



16



Compatible with following concealed cisterns:

WCC46X39R	BR_WCC46X39R
WCC51X51R	BR_WCC51X51R
WCF114X50R	BR_WCF114X50R
WCF114X51R	BR_WCF114X51R
WCF114X59R	BR_WCF114X59R
WCF80X45R	BR_WCF80X45R
WCF98X45R	BR_WCF98X45R

## CARE & MAINTENANCE

Do not use cleaning agents containing chlorine, acids or abrasive agents which could damage the surface.  
Clean only with a soft cloth using a mild detergent and dry with a micro fibre cloth or similar.