

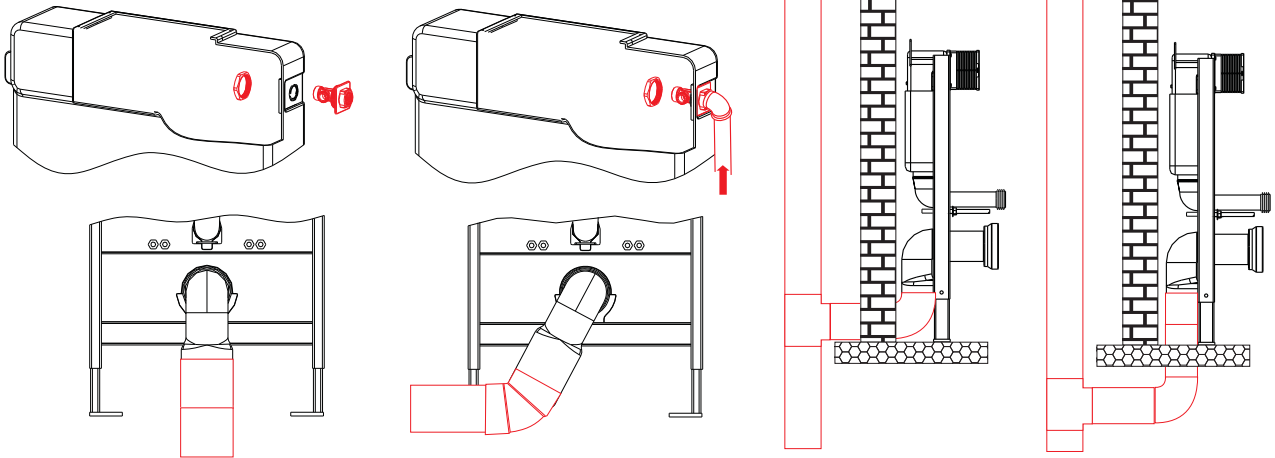
CF02FRONT

Reduced height wall hung WC bowl frame system with front mounted chrome dual flush plate

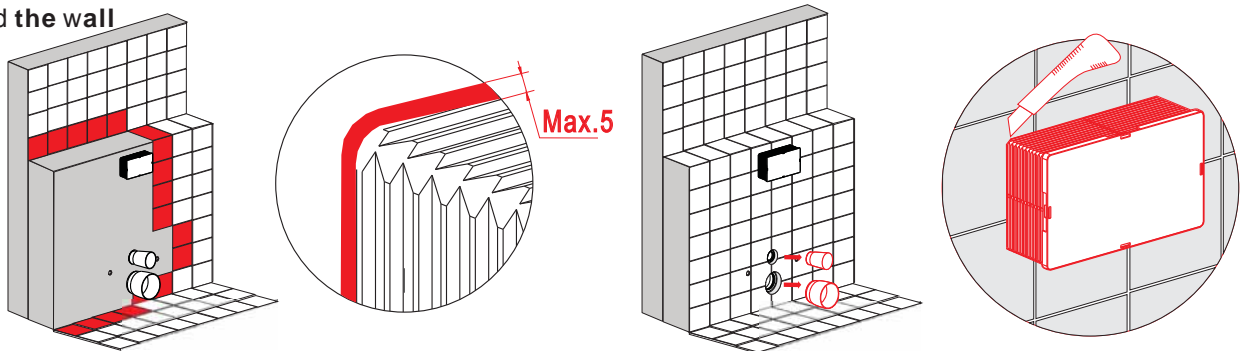
(For installation with a wall hung pan)



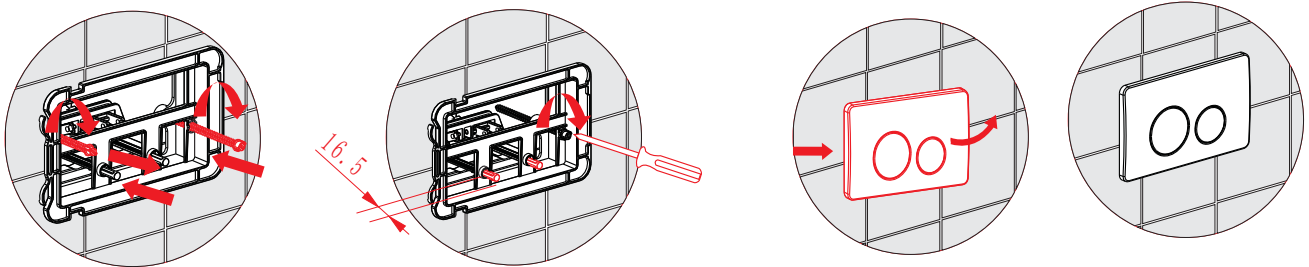
5. Fixing the fill pipe and flush pipe



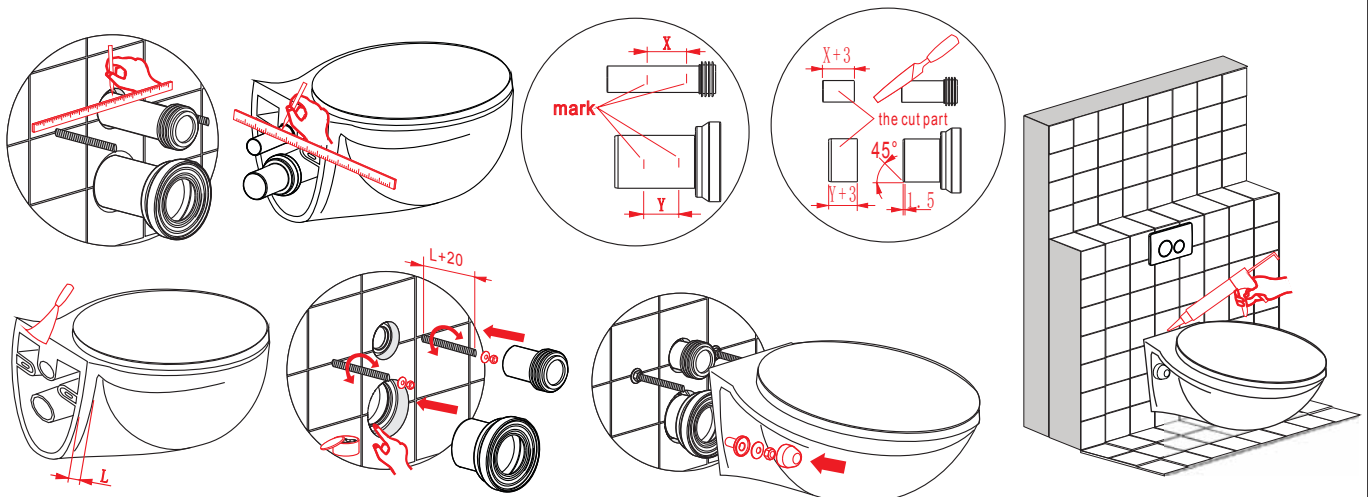
6. Build the wall



7. Install the panel



8. Install the wall hung pan



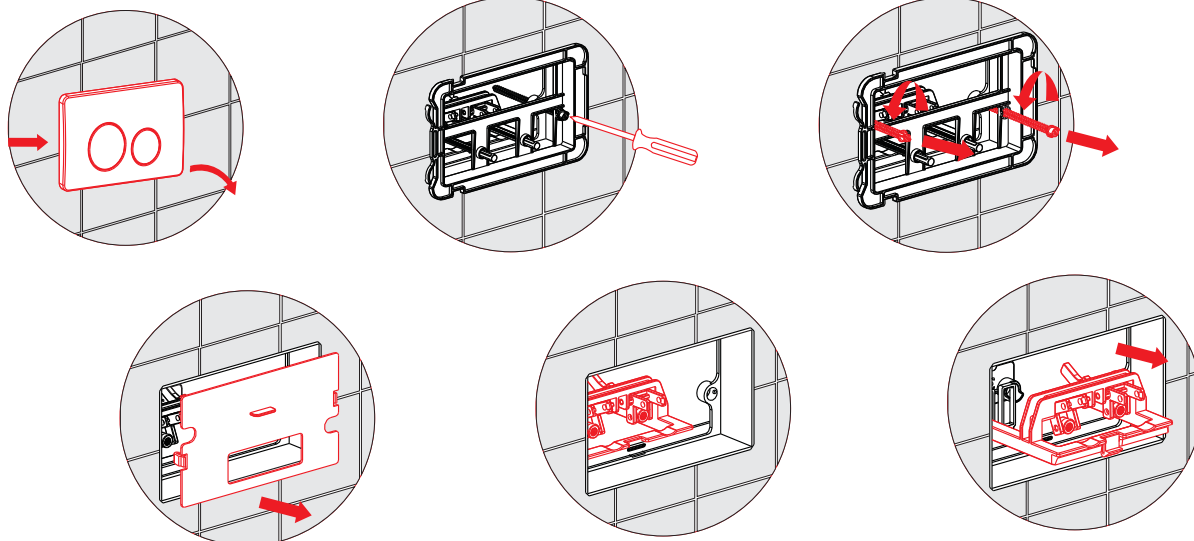
CF02FRONT

Reduced height wall hung WC bowl frame system with front mounted chrome dual flush plate

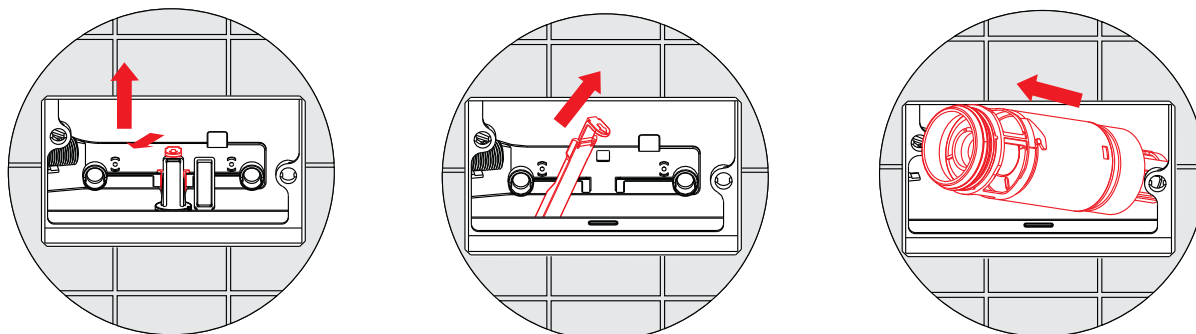
(For installation with a wall hung pan)



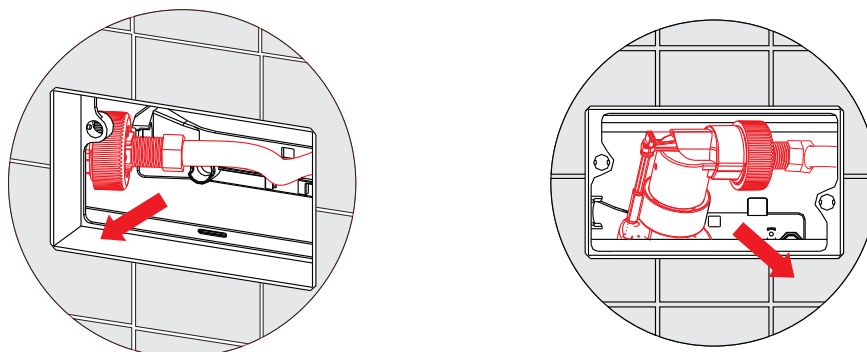
1. Open the panel



2. Take out the flush valve



3. Take out the fill valve



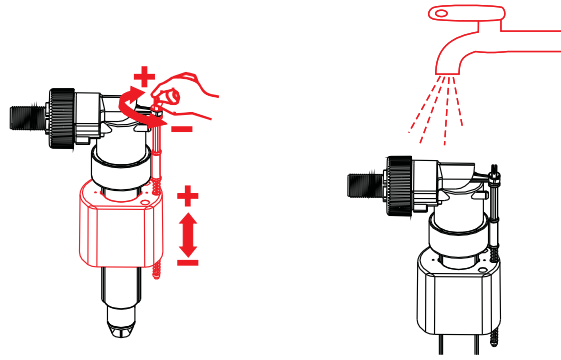
Technologic data:

- . 1/2" standard fill water hole.
- . Recommended working pressure is 0.2bar - 4.0bar
- . The water temperature range is 20~45°.
- . 3L/6L dual flush water volume, the flush water time is 3s~5s.
- . The steel frame is corrosion resistant and can bear 400kgs of weight.
- . The product can be installed in a wall of 90mm thickness.

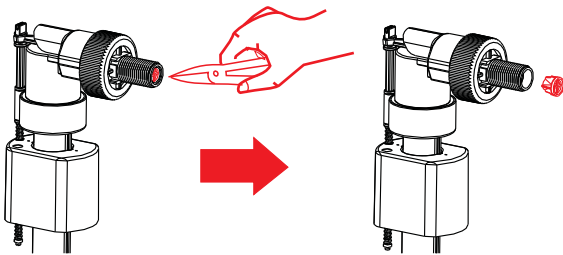
1 Maintenance for the fill valve

Trouble-shooting

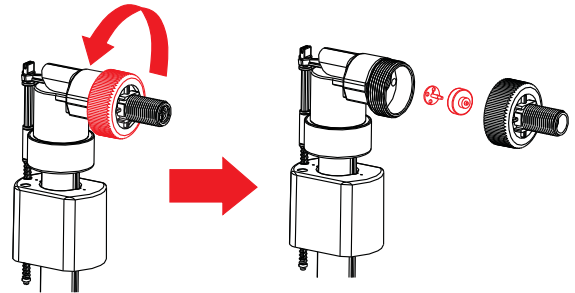
malfunction	solve way
1.The water level too high or too low	Adjust water level
2.Can not stop water	Wash sealed rubber and mandril
3.Water fill speed slow	Wash filter;Adjust water stress to higher
4.Others questions	Please consult with a professional technician



①Turn the knob, adjust water level height. ②Flush out the dirt



③Take off the filter tip and clean.

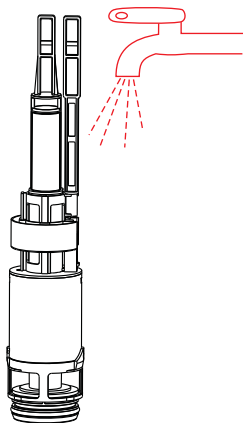
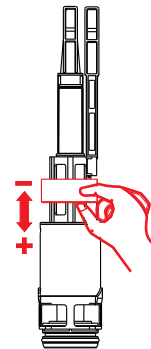


④Remove the screws widdershins and clean or place the valve core and the silica gel of fill valve.

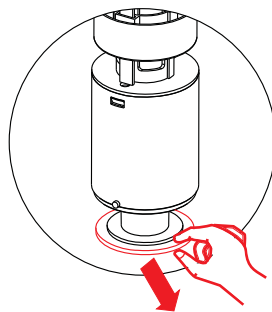
2 Maintenance for the flush valve

Trouble-shooting

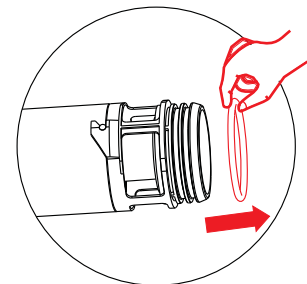
malfunction	reason	solve way
1.Can not flush water	Flush rod is damaged or broken	Replace the flush rod
	The working water level too low	Adjust the working water level
2.Apear leak	The rubber seal can not seal water	Replace the rubber seal
	The movement of the flush valve is blocked	Wash out the dirt of flush valve



②Wash the dirt out of the flush valve by flowing with clean water.



③Take the silica gel out of the flush valve and then clean or replace it.



④Take the rubber seal out of the flush valve and then clean or replace it.



Imēx

Manufactured for life

Product Aftercare Guide

Dear Valued Customer,

Thank you for stepping into the world of Imex, a world of elegant design and meticulous attention to detail.

This guide has been created to help you with all aspects of aftercare. The information will ensure your product looks immaculate and functions efficiently, despite its continued and everyday use.

If you have any further questions, please email sales@imexceramic.co.uk or call 01530 835598

Many thanks,

Imex Ceramics UK

Toilet seats

We recommend,

Always clean immediately after use to stop the build-up of dirt and limescale.

Use warm soapy water and rinse down with cold water, wiping down with any soft dry cloth.

A small amount of white vinegar can be used if there is a build-up of limescale.

Please do not...

Under no circumstance should you use household chemicals such as drain cleaners, hair dye, nail varnish remover, paint strippers, strong disinfectants, and household bleach. Some soap and shampoos can permanently discolour acrylic if allowed to pool undiluted for any length of time.

Do not have naked flames or cigarettes near your bath as they can burn and melt the acrylic.

Imex Sanitaryware

We recommend,

Regularly clean your new product with warm soapy water as this will stop the build-up of dirt and harmful limescale, rinse with clean cold water, dry and polish with a clean dry soft cloth.

The occasional use of a mild non abrasive bathroom limescale remover can be used, ensure to rinse off immediately with plenty of clean cold water.

The use of bleach in the toilet bowl is acceptable.

Please do not...

Do not put any bleach products such as bleach blocks into the actual cistern tank as this may damage the internal fittings.

Do not leave strong cleaning products or bleach to stand in or on your product overnight or for any prolonged period .

Do not mix different cleaners as this may cause a chemical reaction and produce harmful gases.

Brass, Chrome, Aluminium, and Stainless Steel fittings

We recommend,

Clean all chrome surfaces immediately after use to stop a build-up of dirt and harmful limescale on your product.

Clean with a warm weak neutral washing up solution, rinse immediately with clean water and dry with a clean soft cloth.

The occasional use of a mild non abrasive bathroom limescale remover can be used, ensure to rinse off immediately with plenty of clean cold water. To remove a build-up of lime scale, we recommend to use a white vinegar solution.

Please do not...

Do not use products that contain abrasive chemicals to clean your brassware. This may cause the materials to corrode which inevitably will void the warranty on the product. If you would like further advise on the recommended cleaning products to use, please contact our customer service team.

Do not scratch the finish as this can leave your product vulnerable to corrosion.

WC maintenance

If there is water flowing into your WC bowl lasting for longer than five minutes after flushing please see the maintenance procedure over the page or read the following for further details:

- The float height on the inlet valve may have moved or been set too high and causing water to internally overflow into the pan (please refer to the installation details that came with your cistern) or ask your installer.
- There may be a build-up of scale or debris on the diaphragm washer on the base of the central column or flush valve. Try cleaning the diaphragm washer in a warm soapy solution. If this does not rectify the problem please see overleaf for our step by step instructions on how to change the diaphragm washer.
- The push rods which actuate the flush valve may need turning slightly so to make a clean contact with the green flush valve paddles. The flush valve mechanism itself may have been overtightened causing it to distort and preventing the diaphragm washer from sealing.
- If your pan and cistern has been installed on an un-level surface it may be causing the Flush valve mechanism to foul against the side of the valve body. If this is the case the pan and cistern should be reinstalled on a clean level surface.
- If a sealant or mastic was used during the installation this may have chemically attacked the component part(s).
- Cleaning products such as bleach blocks may have been used which have chemically damaged the component fittings.

WC Maintenance procedure

1. Turn off the water supply to the cistern and flush to empty the cistern tank.
2. Close toilet seat and lid.
3. Lift off the cistern lid.
4. Lift out the large button
5. Turn the flush valve $\frac{1}{4}$ turn and lift out exposing the valve seal (diaphragm washer).
6. Grip the rubber diaphragm washer and pull off from the rest of the flush valve.
7. Inspect the rubber diaphragm washer, clean or replace as necessary
8. Refit the valve in reversal of removal ensuring to locate valve body so it clicks into place.
9. Refit the cistern lid ensuring the push button rods actuate the flush valve small button for $\frac{1}{2}$ flush and large button for full flush.

Bathroom Furniture maintenance

We recommend,

By following our simple guidelines, your Imex furniture will provide you with many years of service.

Imex furniture should be treated and handled with care.

After installation all sawdust must be removed with a vacuum cleaner. Please inspect all draw runners and remove any dirt particles to promote a clean smooth running motion.

Wipe away any water splashes or condensation immediately after use.

Prolonged exposure to water may deteriorate the furniture.

Your bathroom should be well ventilated with a suitable extractor fan.

Clean regularly and only with a soft damp clean cloth. Use only a clean soft cloth to polish the finished surface.

For removal of lime scale deposits use a very small amount of a suitable proprietary cleaner and test on a small inconspicuous area first.

Please do not...

Do not scrub or scour

Do not use abrasive cleaning agents

Bathroom Mirrors

Imex mirrors incorporate a safety film backed glass.

You should not fit a mirror directly above a bath or in a shower cubicle.

The glass thickness on all Imex mirrors is 5mm.

Do not place the corners of your mirror on the floor or strike the glass with hard or sharp object.

Do not place very hot or very cold items against or in close proximity to your mirror unless an adequate insulation material is used to prevent any such item from coming in contact with the mirror.

Cleaning

Clean with a soft damp cloth or leather with washing up liquid.
Do not use abrasive cleaning agents such as powder cleaners

Guarantee information

We guarantee our products against faulty materials or manufacture for 10 years on all bathroom furniture.

For 25 years on all Sanitaryware provided it has been installed, used and regularly maintained in accordance with our instructions. All working parts such as hinges, seals and cistern fittings, which are subject to normal wear and tear, are covered for 12 months from proof of purchase date.

Our guarantee applies to the original purchaser only and is non-transferable.

Should you raise a claim, the issue will be investigated. As part of the investigation we request that the following conditions be satisfied:

- Proof of purchase at the time of claim.
- The product has been maintained and cared for in compliance with our instructions (including regular and appropriate cleaning).
- If in our opinion the product has been modified, misused or accidentally damaged, we can accept no responsibility for failure.
- The opportunity to inspect the product in the installed condition.

Faulty items will be replaced with our nearest equivalent product.

This guarantee does not affect your statutory rights.

This guarantee is only applicable in the UK and Republic of Ireland.

Spare components

Should you require a spare component(s) for any of our products please contact Imex Ceramics UK using the contact details overleaf. We carry a full and extensive range of spare parts and are normally able to offer same day dispatch (please allow 48hrs for delivery). We do have a policy of replacing any damaged part with a spare part where possible. Complete exchanges will only be made if the damage is extensive or irreparable.