

Concealed Cistern

prepared for Auto Flush Motor



DE: Unterputzpülkasten, vorbereitet für Spülmotor für automatische Spülung
 FR: Réservoir de chasse d'eau encastré, préparé pour moteur de chasse d'eau pour chasse automatique
 IT: Cassetta di scarico a incasso, predisposta per un motore per l'azionamento del risciacquo automatico
 NL: Inbouwstortbak, voorbereid voor spoelmotor voor automatische spoeling

PRODUCT DETAILS

Product code	WH183ETNF
GTIN (EAN)	40 50663 09681 6
Size	w:407xd:115xh:484 (mm)
Weight	5 kg
Colour	White
Material	Plastic
Technologies	Water saving, 3 / 5 L preset

TO BE COMBINED WITH:

Push Plate	MB175M#SS (brushed stainless steel)
	MB175M#B (matte black)
	MB175M#W (matte white)

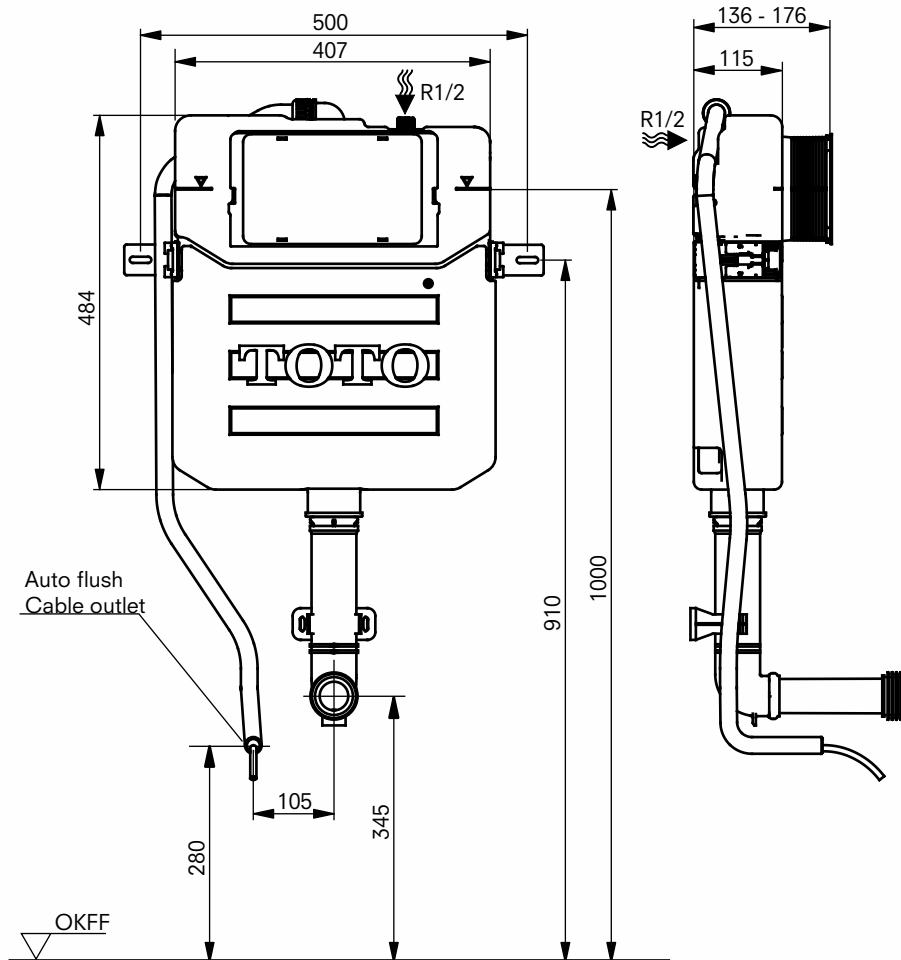
CAN BE COMBINED WITH:

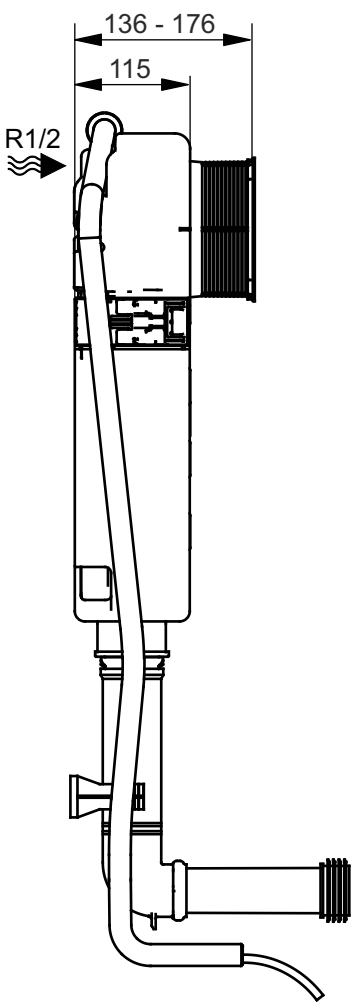
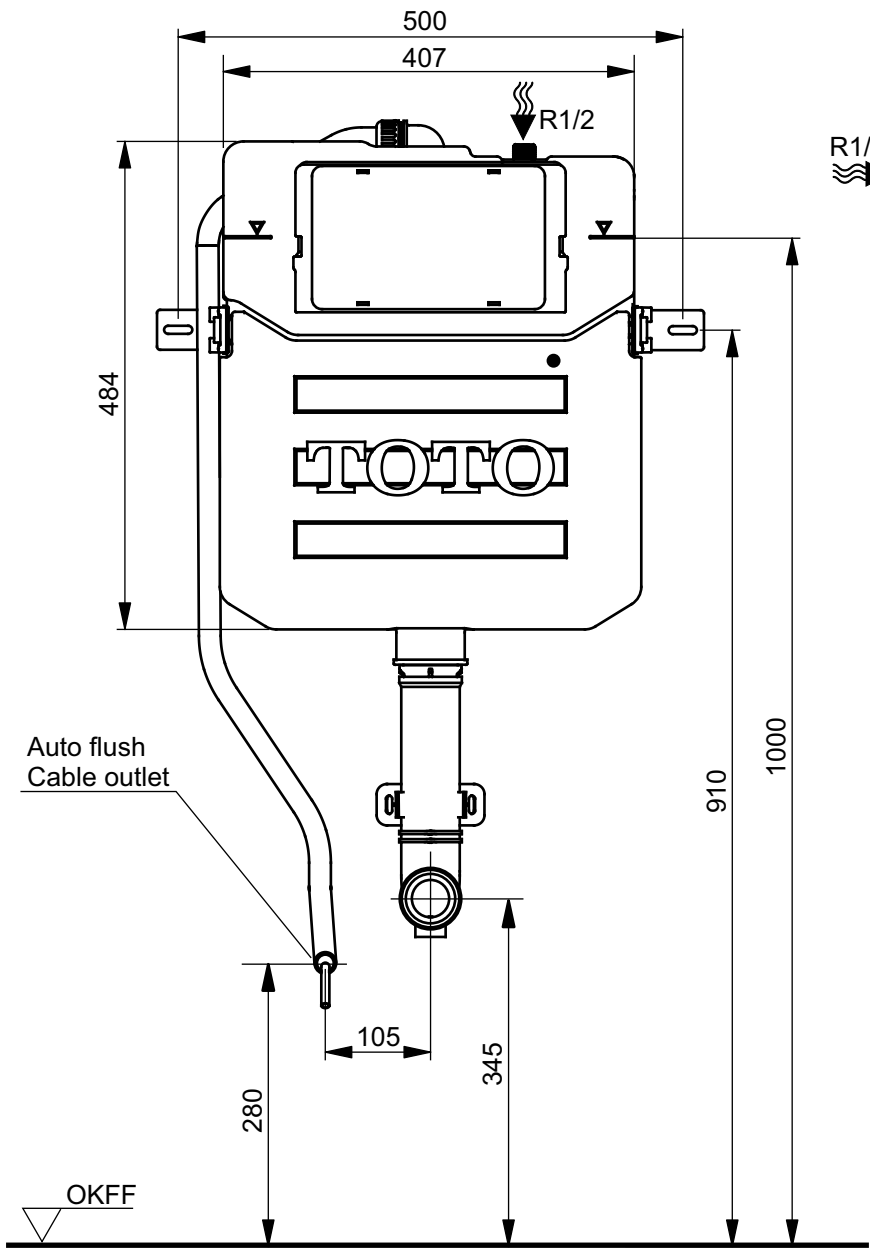
WC RP, back-to-wall, floor-standing	CW563Y#XW
Auto Flush Motor incl. connection cable to WASHLET®	HM184

(WASHLET® with Auto Flush required)

Weights and measurements shown may be subject to small variations or are indicative.

TECHNICAL DRAWINGS





TO BE COMBINED WITH:

- 1. Push Plate MB175M#SS (brushed stainless steel)
- MB175M#B (matte black)
- MB175M#W (matte white)

CAN BE COMBINED WITH:

- 1. WC RP, back-to-wall, floor-standing CW563Y#XW
- 2. Auto Flush Motor incl. connection cable to WASHLET® HM184
(WASHLET® with Auto Flush required)

OKFF

Designation		TOTO	
Concealed Cistern prepared for Auto Flush Motor WH183ETNF			
Altered		Scale	<p>This drawing including the respective data may neither be duplicated nor modified nor altered without the consent of TOTO Europe GmbH. The usage of the data/technical drawings takes place at user's own risk and under exclusion of any liability of TOTO Europe GmbH and/or of the companies of the TOTO-Group. The indicated dimensions are not binding; products are subject to change. Measurements shown may be subject to small variations or are indicative.</p>
		1:7.5	
		Signed	
		Date	22/01/2026