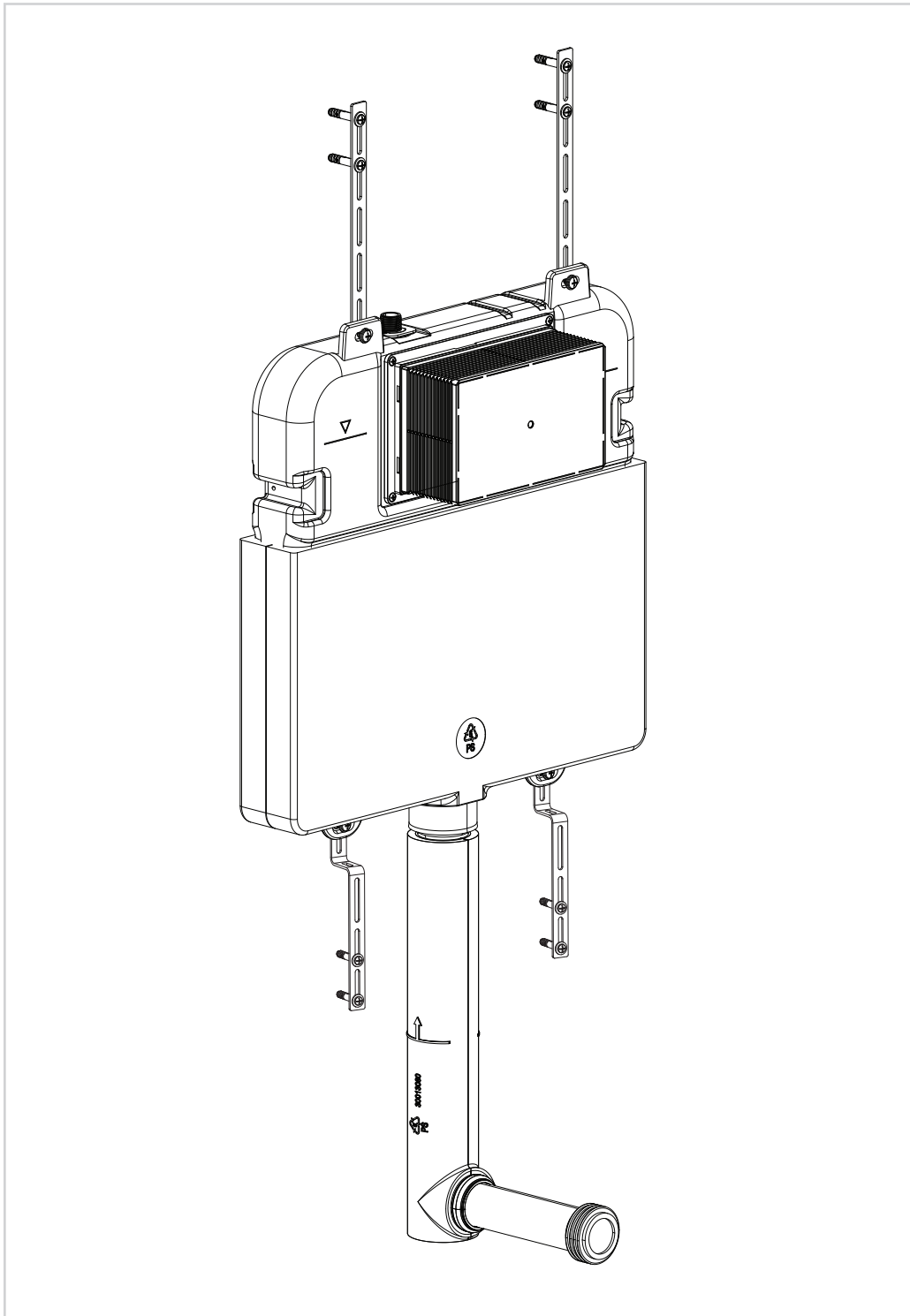


# CISTERN & FRAME

Slimline Dual Flush Concealed Cistern



**PRODUCT CODES:**

WCC51X51R

BR\_WCC51X51R

## BEFORE YOU START



### IMPORTANT INFORMATION BEFORE YOU START

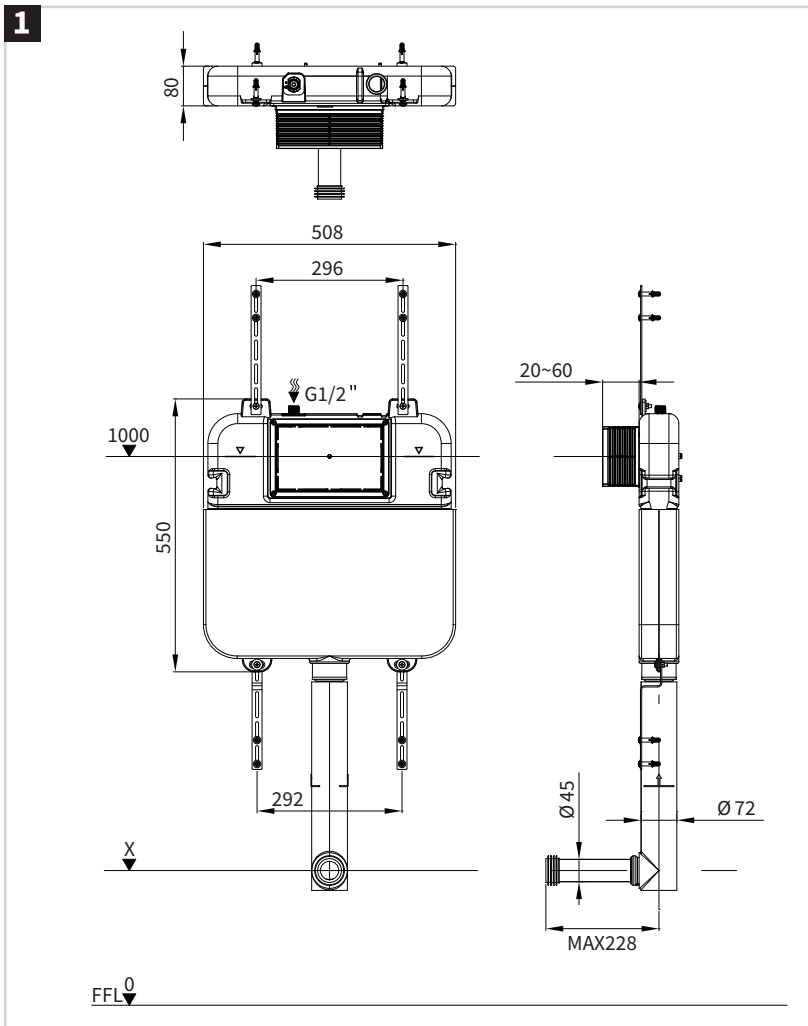
Please read carefully and keep this information for reference. Thank you for buying a Bathroom Brands Product. To ensure that it works to its full potential, it needs to be fitted correctly. Check the contents of the pack carefully before installation.

Bathroom Brands will not be held responsible for any re-fit costs where faulty product has been. If any fault is found with materials or workmanship, it must be reported immediately to the manufacturer. Remedial action will be taken based on information received, on condition that:

1. Full details are supplied to the manufacturer.
2. The product has not been modified or tampered with.
3. The manufacturer is informed of any damage/shortages prior to installation.
4. The product has not been installed, or attempts have been made to install.

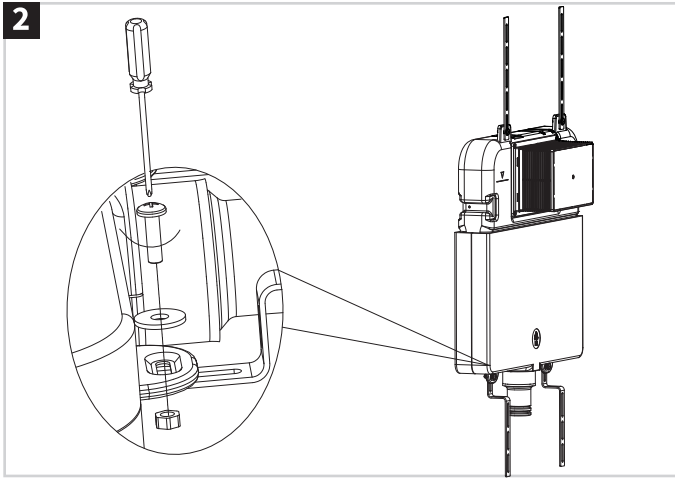
We do not accept responsibility for any problems that may occur through incorrect installation. This product should only be installed by a suitably qualified plumber/installer.

Should the installation be completed by a non-qualified person any product guarantee maybe considered invalid.

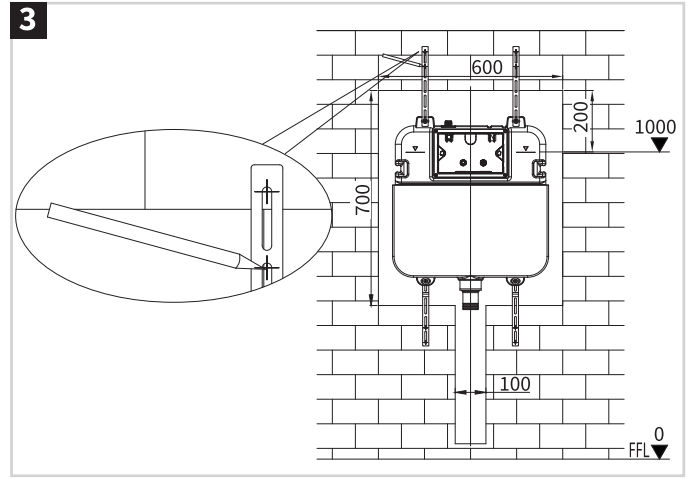


General dimension and water supply drawing. Water supply to cistern.  
(water supply should be connection to angle valve inside cistern)

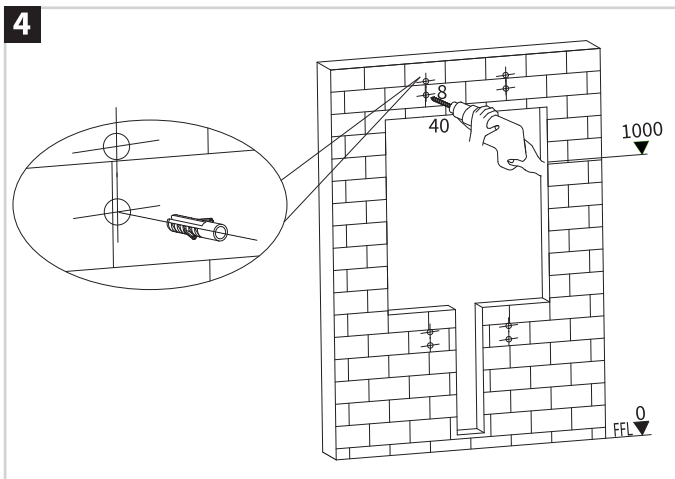
## INSTALLATION



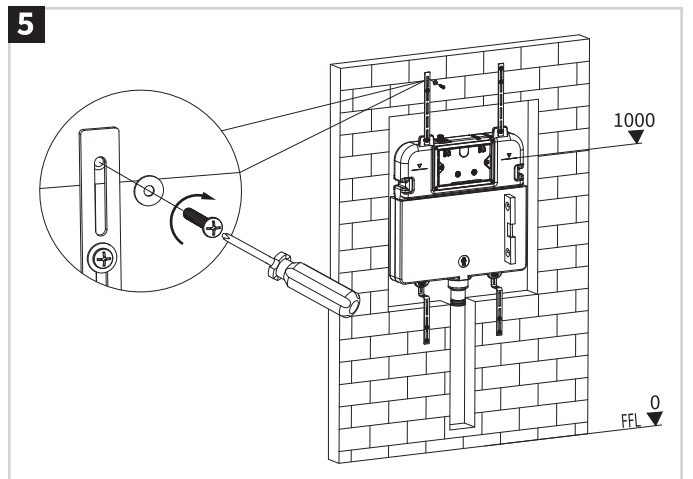
2 Mount straight straps and Z-shaped straps, confirm the position of 1M line and drilling



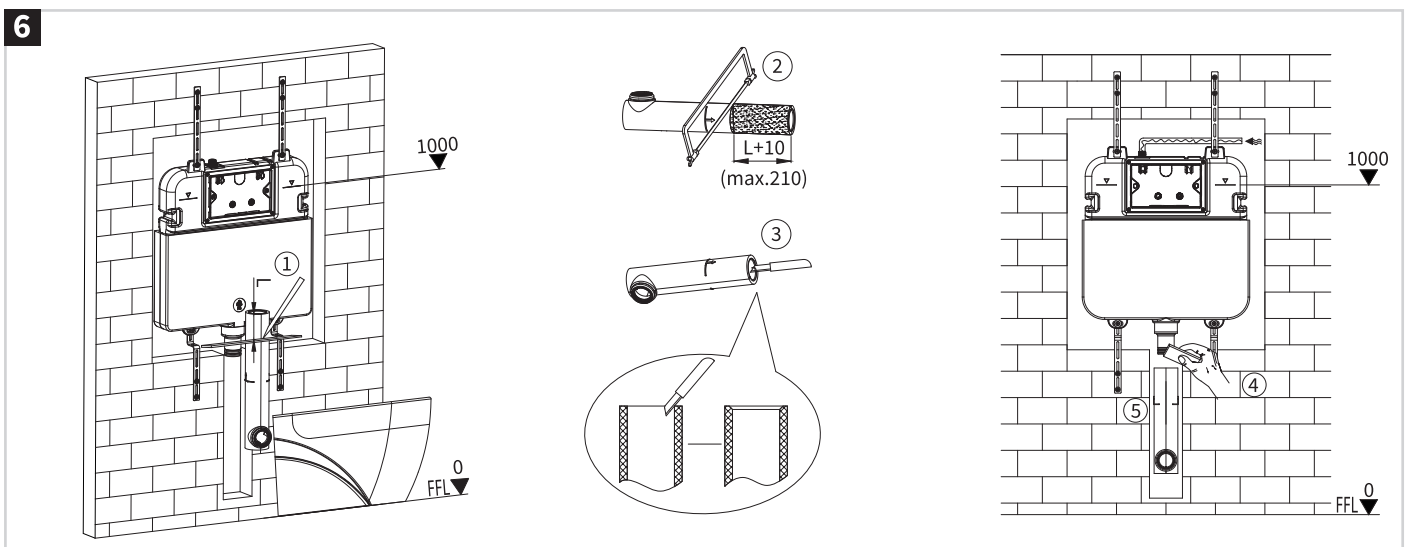
3 Tip: Drilling position should be confirmed according to the actual installation position of cistern.



4 Drilling and installation of expansion screw

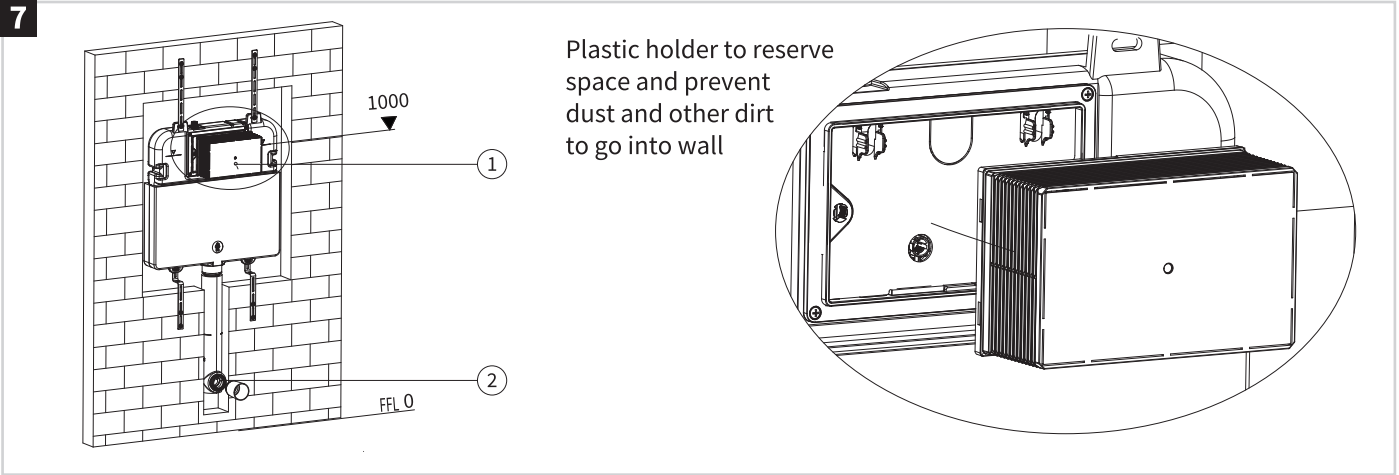


5 Installation of concealed cistern

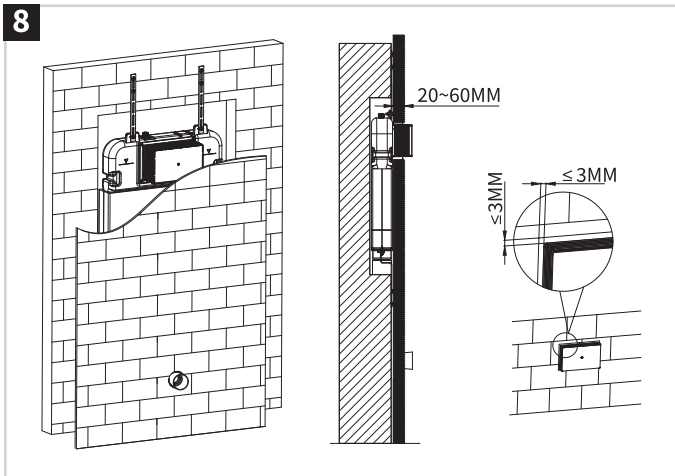


6 Mount connecting pipe and contact water supply pipe.

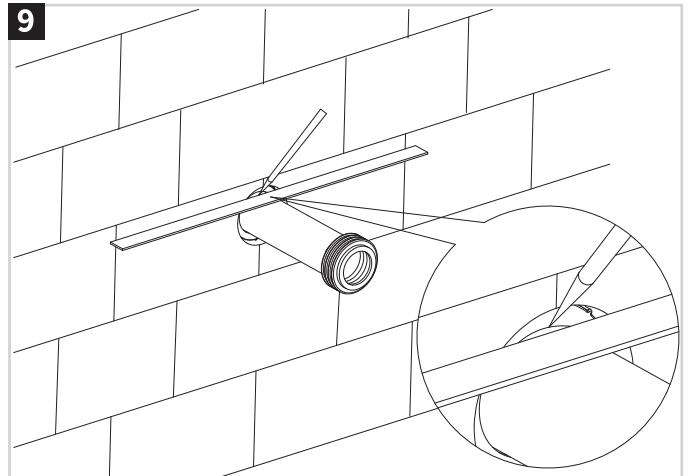
# INSTALLATION



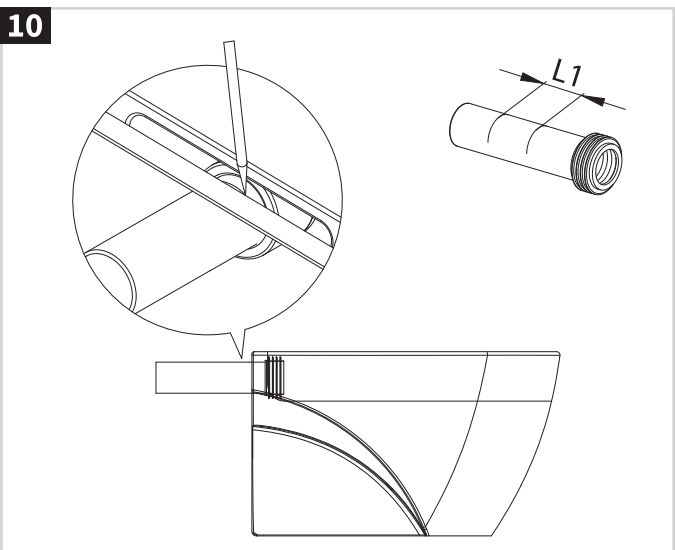
1: Plastic holder to reserve space for installation of flush plate during construction of the wall.  
 2: Piping stopper to reserve space for flushing piping at wall



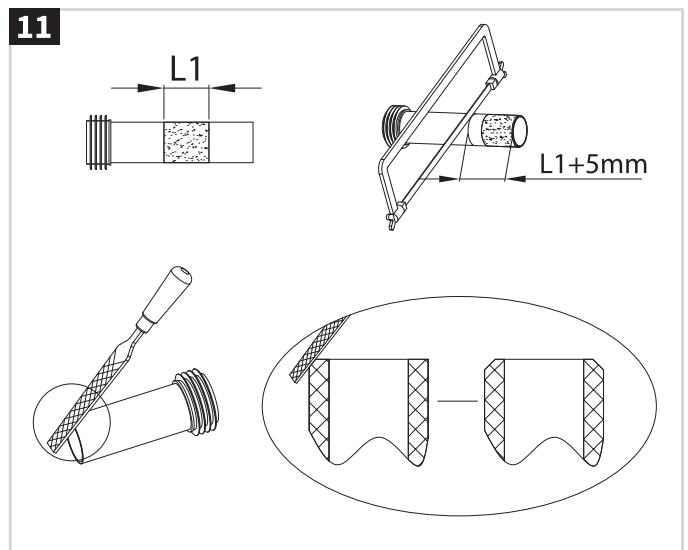
Wall thickness range 20-60mm from outer exterior of cistern foam cover to finished wall surface.



Fully insert the flush pipe into cistern flushing outlet and draw line as pictured above.

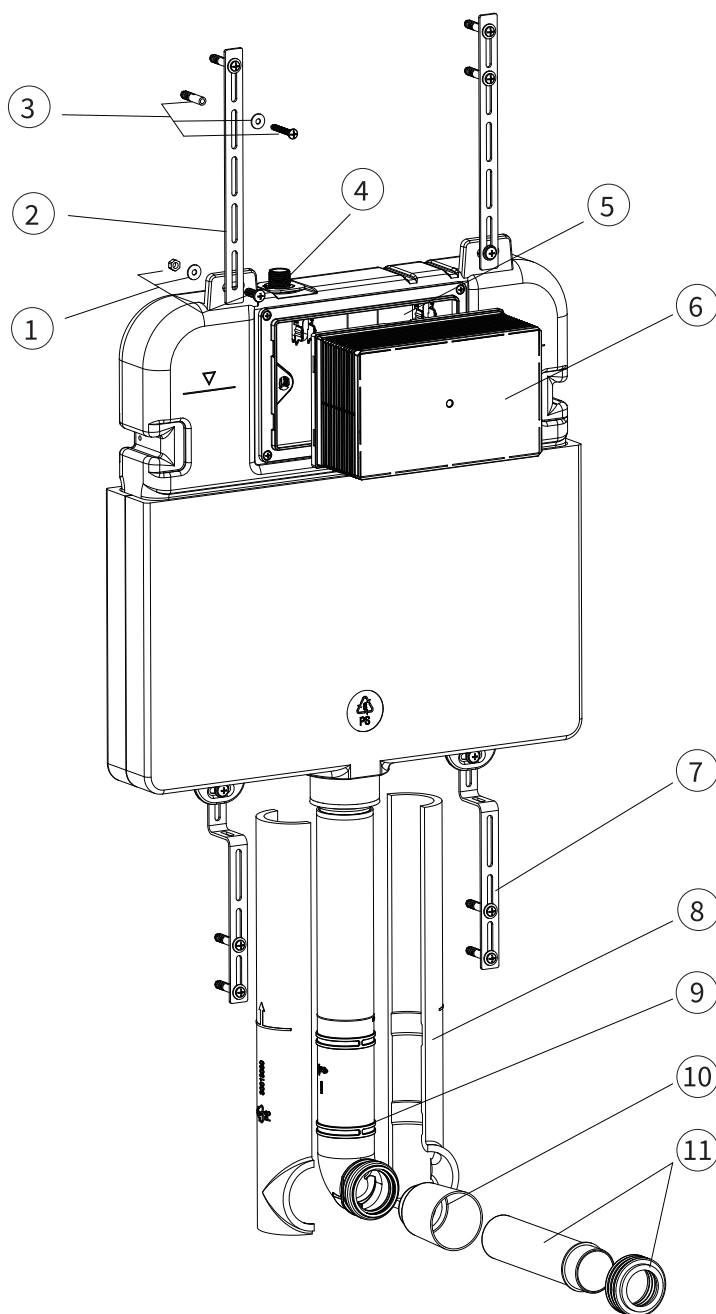


Remove flush pipe from cistern and insert into pan and draw the line.



Cut length of flush pipe as required and de-burr appropriately.





Compatible with following flush plates :

- |              |              |
|--------------|--------------|
| VENFLUSHC    | BR_VENFLUSHC |
| VENFLUSHB    | BR_VENFLUSHB |
| VENFLUSHF    | BR_VENFLUSHF |
| VENFLUSHV    | BR_VENFLUSHV |
| VENFLUSHT    |              |
| VENFLUSHBZ   | BURPLATEC    |
| MPROFLUSHC   | BURPLATEG    |
| MPROFLUSHB   | BURPLATEL    |
| MPROFLUSHF   |              |
| MPROFLUSHV   |              |
| MPROFLUSHT   |              |
| MPROFLUSHBZ  |              |
| MPROSPLATEC  |              |
| MPROSPLATEB  |              |
| MPROSPLATEF  |              |
| MPROSPLATEV  |              |
| MPROSPLATET  |              |
| MPROSPLATEBZ |              |

List of main installation accessories

NO.	Description	Qty	Function
1	Screws	4	Straight tube.
2	Iron bracket	2	
3	Expansion screw	8	To fix straight straps and Z-shaped straps
4	Angle valve	1	Fill valve inlet and shut-off.
5	Cistern cover	1	Airproof tank and mounting of drain valve lever.
6	Plastic holder	1	To reserve space for installation of actuator at wall building.
7	Z-shaped straps	2	Straight tube.
8	Protective cover	2	To protect connecting tube.
9	Connecting tube	1	Water inlet pipe to squatting pan (cut to customer's request).
10	Piping stopper	1	To reserve space for straight tube.
11	Straight tube	1	To joint cistern into ceramic bowl (cutting in accordance with wall thickness).



## CARE & MAINTENANCE

Do not use cleaning agents containing chlorine, acids or abrasive agents which could damage the surface.  
Clean only with a soft cloth using a mild detergent and dry with a micro fibre cloth or similar.