


Stone Resin Trays

Installation Instructions

Parts Supplied:

Description	Illustration (Shape of tray may vary from illustration)	Qty
Shower Tray		1

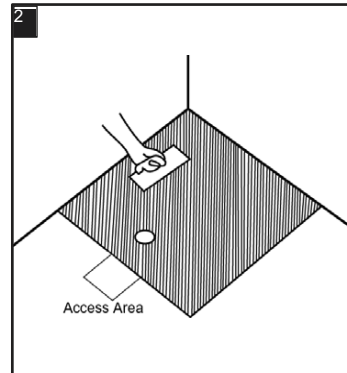
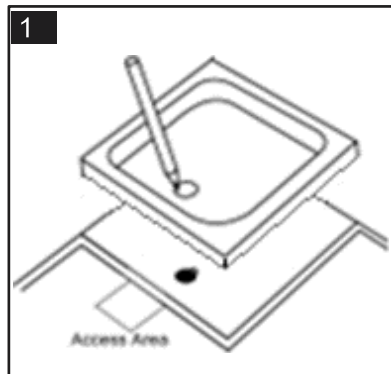
Before You Start:

- We always recommend that a technically competent installer undertakes the installation.
- For raised installations please use our designated riser leg pack.
- **Caution:** Care should be taken when drilling into walls or floors to avoid hidden pipes or electrical cables.
- When handling your shower tray take care not to damage the product, and when installing take particular care to protect the visible surfaces from impact damage or abrasions.
- Check that the shower tray is the colour, shape, size and type you require.
- Note: Installation of the tray is acceptance of quality.
- Unpack and check for any damage. Do not install if not satisfied and contact your supplier.
- **WARNING! Your shower tray may be heavy so to avoid injury should always be considered a two-person lift.**

Tools and Materials Required (not supplied)

- Drill
- Drill bit to suit floor screws
- Hole Cutter, size to suit the waste outlet
- Jigsaw
- Pencil
- Spirit Level
- Trowel
- Cement
- Cement additive, for anti-crumbling (mix as instructed by manufacturer)
- Fine Sand
- Floor screws, suitable to fix marine plywood board to floor
- Marine Plywood board (18mm thick minimum)
- Masking Tape
- Plumbing pipe and fittings as necessary
- Silicone sealant
- Standard 90mm Shower Waste (which includes bottle trap), or similar

- 1 With the shower tray in position, mark the perimeter and waste hole on the floor including an area outside the perimeter for access to connect plumbing after the tray has been installed (See Fig 1)
- 2 If installing on solid floor, ensure an adequate space is available under the waste area to allow access and sufficient drainage (See Fig 1).
- 3 Install the waste pipe and shower waste in accordance with plumbing regulations, protecting any exposed threads with masking tape.
- 4 Water test the waste unit before installation to ensure adequate drainage.

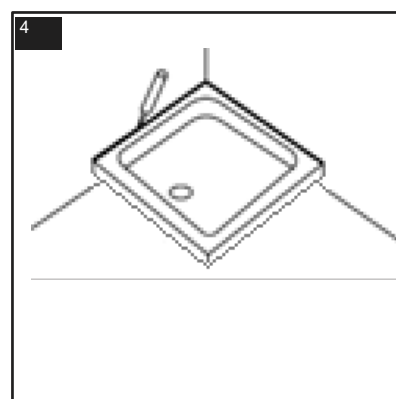
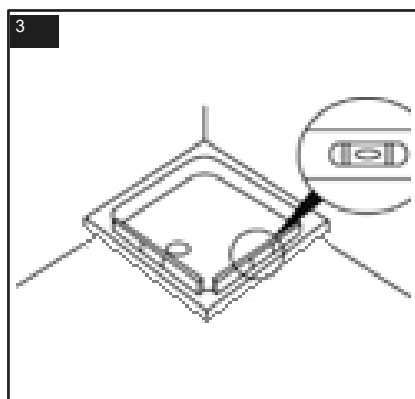


- 5 Before proceeding dry fit all items to ensure compatibility and screw the plywood into position.
- 6 Mix sand and cement at 5:1 ratio and combine anti-crumbing additive. Spread evenly over the entire area under the tray with approximately 10-15mm thick mixed mortar screed. Any unsupported sections under the tray could lead to cracking. Allow at least 24 hours to dry.

Note! Silicone sealants, foams, mastics, installation compound adhesive or similar **MUST NOT** be used as a substitute for cement.

- 7 Place the shower tray onto the wet cement and ensure it is fully supported by the mix. Level the shower tray across all four shoulders as it has a built-in fall for adequate drainage (See Fig 3).
- 8 The shower tray and all connections must now be checked for water tightness flow and adequate drainage over the entire area.
- 9 After all checks and adjustments, seal along the tiling line with silicone sealant (See Fig 4).

Note! When fitting a shower enclosure refer to the manufacturer's installation instructions



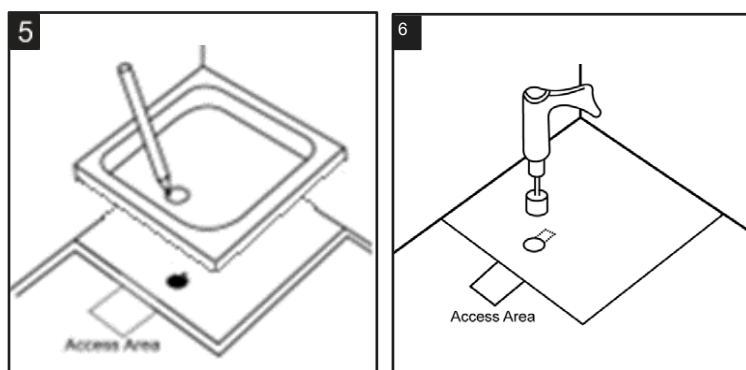
Installation on Suspended Floors

- 1 Place shower tray in position, mark the perimeter on the floor including an area outside the perimeter for access to connect plumbing after the tray has been installed (See Fig 5).
- 2 The floor area (or larger) covered by the shower tray must be removed and replaced with a single piece of marine plywood (min 18mm thick) and access for the waste should be constructed.
- 3 Put the marine plywood in position, place the shower tray on the plywood and mark the waste hole location (See Fig 5).
- 4 Remove the shower tray, then use the hole cutter to drill a hole in the plywood large enough for the entire shower waste being used, which may need to be extended with the jigsaw to form a keyhole shaped cut-out for some types of shower waste. Keep all holes to the minimum (See Fig 6).
- 5 Remove the plywood and install the waste outlet pipe in accordance with building regulations.
- 6 Fit the shower waste to the shower tray following the instructions supplied and protect exposed threads with masking tape. Before proceeding dry fit all items in situ to ensure compatibility and screw the plywood into position. Carry out a drainage test on the waste.
- 7 Mix sand and cement at 5:1 ratio and combine anti-crumbling additive. Spread evenly over the entire area under the tray with approximately 10-15mm thick mixed mortar screed. Any unsupported sections under the tray could lead to cracking. Allow at least 24 hours to dry. (See Fig 2 page 2).

Note! **Silicone sealants, foams, mastics, installation compound adhesive or similar MUST NOT be used to substitute for cement.**

- 8 Place the shower tray onto the wet cement and ensure it is fully supported by the mix. Level the shower tray across all four shoulders as it has a built-in fall for adequate drainage (See Fig 3 page 2).
- 9 The shower tray and all connections must now be checked for water tightness flow and adequate drainage over the entire area.
- 10 After all checks and adjustments, seal along the tiling line with silicone sealant (See Fig 4 page 2).

Note! **When fitting a shower enclosure refer to the manufacturer's installation instructions**



Care & Use of Your Shower Tray

Water feeds where possible should not be connected to a water softener system as salts used with some types of units may discolour the surface.

It is normal for small amounts of localized water to be retained in the shower tray after use which should be wiped dry immediately to prevent buildup of mineral sediments.

The shower tray should be cleaned with warm, soapy water only. Do not use scourers, abrasives or chemical cleaners.

For all other FAQs, contact us at technical@trojan-baths.co.uk