

TAPS & FITTINGS SUBWAY 3.0

PRODUCT INFORMATION

1 . POSITION



Article number	TVW11200200061
Article title	Villeroy & Boch Subway 3.0 Single-lever basin mixer with push/pull rod lever and pop-up waste, Chrome
Product designation	Single-lever basin mixer
Collection	Subway 3.0
Assembly / Assembly type	Deck-mounted
Scope of delivery	1 x tap fitting , 1 x aerator key 1 x outlet fitting 1 x fastening 2 x connecting hoses 1 x installation instructions
Length in mm	176
Width in mm	51
Height in mm	155
Weight in kg	2,10
Material	Brass
Surface	glossy
Colour name	Chrome
EAN number	4062373800270
Air plus	An aerator enriches the water with air for a particularly soft, water-saving jet
Easy clean	Longer service life: optimum limescale removal by simply rubbing nozzles and aerators clean
Aqua smart	Sustainable, limited water flow: saving water without sacrificing on performance
Tap smartpressure	Constant water flow rate for washbasin mixers regardless of pressure fluctuations in the piping system
Length of spout in mm	134
Material	Brass
Volume	7,935
Angle jet regulator	4
Cartridge	Cartridge with ceramic discs
Handle position	Top
Number of tap holes	1
Diameter of faucet body	43
Swivel aerator	Yes
Water regulation	Water temperature is regulated 45° to each side
Thermostat	No



Cool Tap	No
Spray types	Comfort jet

COLOUR

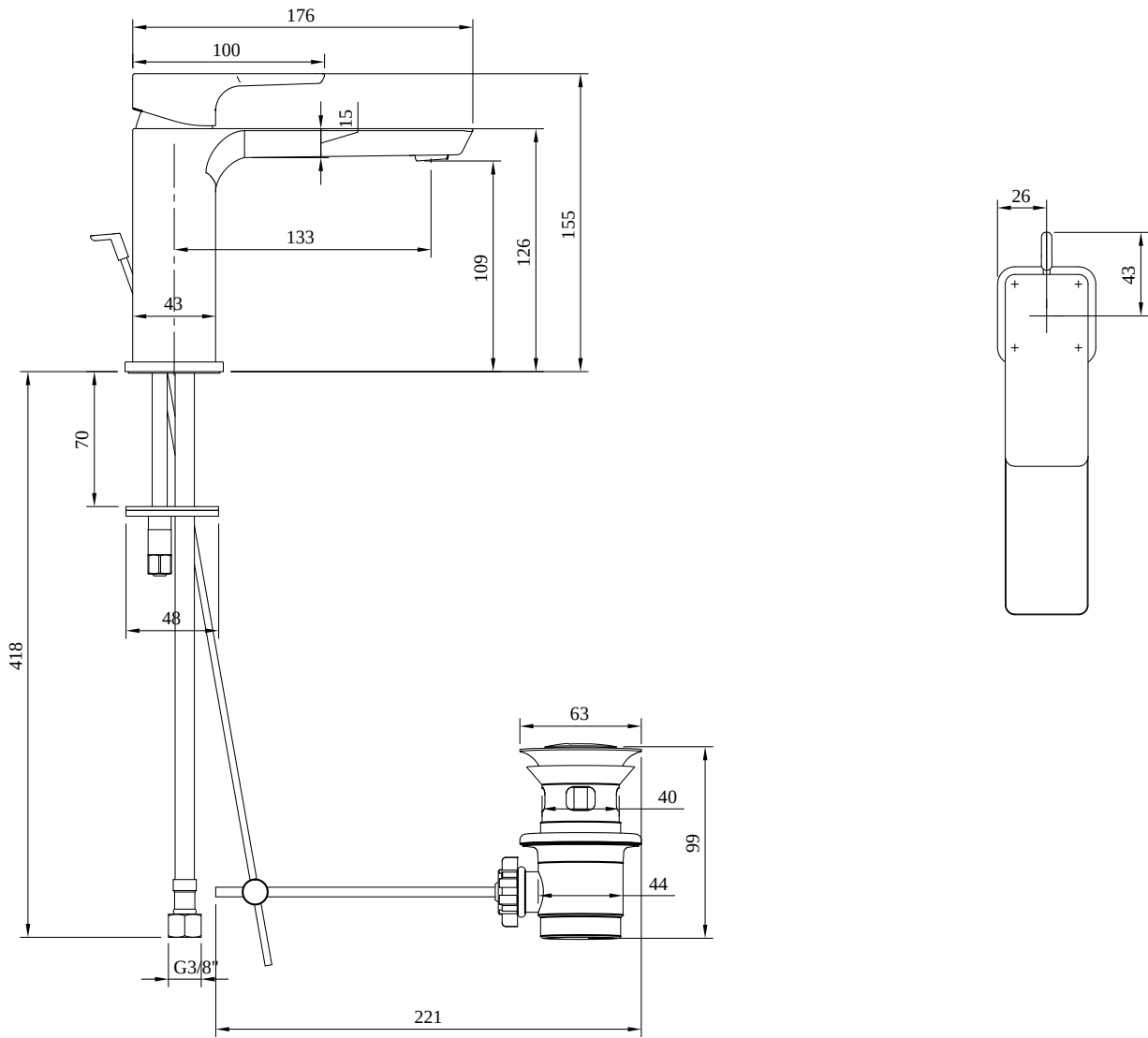
COLOUR DESIGNATION



Chrome

TECHNICAL DRAWINGS

TVW11200200061



CHARACTERISTICS



An aerator enriches the water with air for a particularly soft, water-saving jet



Sustainable, limited water flow: saving water without sacrificing on performance

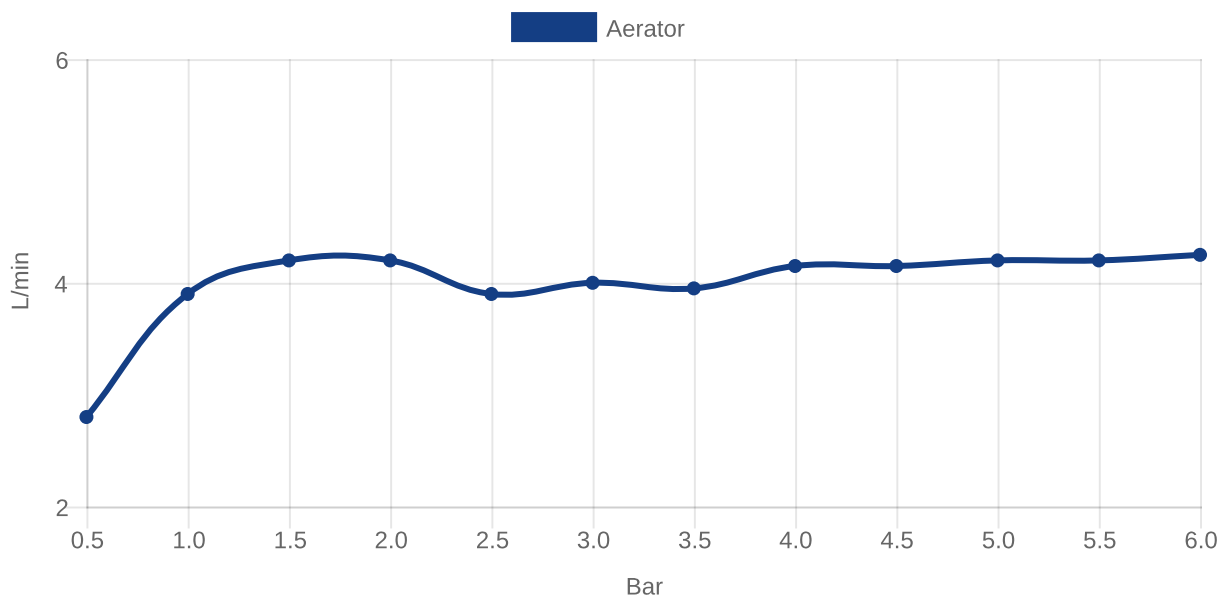


Longer service life: optimum limescale removal by simply rubbing nozzles and aerators clean

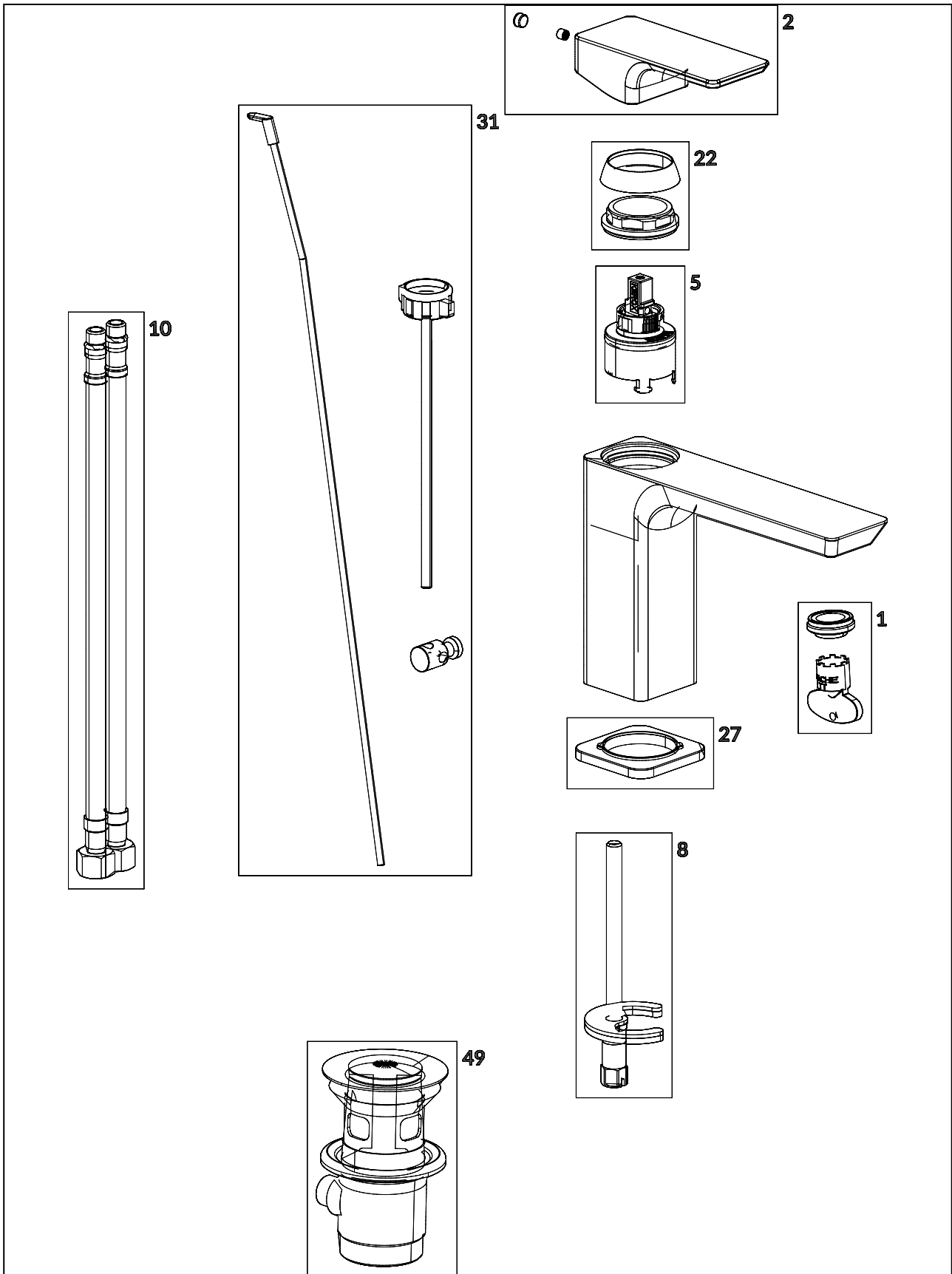


Constant water flow rate for washbasin mixers regardless of pressure fluctuations in the piping system

FLOW CHART



EXPLOSION DRAWINGS



BILL OF MATERIALS

No.	Article No.	Description	Quantity
1	TVP00007100000	Aerator set	1
2	TVP11200200061	Handle	1
5	TVP00000105000	Cartridge	1
8	TVP11202200000	Fastening set	1
10	TVP00013600000	Connecting hoses	1