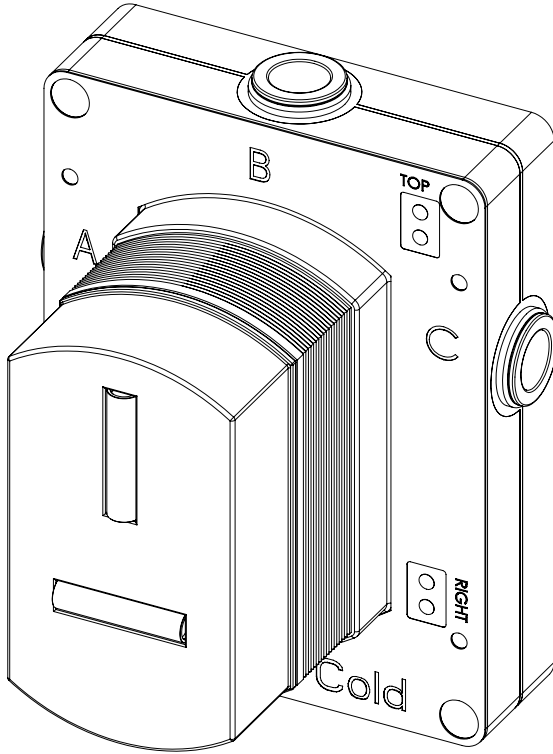


INSTALLATION GUIDE



EZ BOX 2.0 Installation Guide

IMPORTANT - PLEASE READ

Please read these instructions carefully before starting installation and keep for future reference. Remove all packaging and check the product for missing parts or damage before starting installation. Any alterations made to this product and fittings may infringe water regulations and will invalidate the guarantee.

The installation must comply with all Local/National Water Supply Authority Regulations/ Byelaws and Building and Plumbing Regulations. We strongly recommend that you use a qualified and registered plumber, it may invalidate the guarantee if fitted by a non-qualified person.

SPECIFICATION

Minimum Pressure	0.5 bar
Maximum Pressure	5.0 bar
Recommended Pressure	1.0-3.0 bar balanced
Inlets	2x G1/2"
Outlets	Upto 3x G1/2"
Minimum Temperature	3° C
Minimum Recommended Temperature	15° C
Maximum Temperature	70° C
Maximum Recommended Temperature	65° C
Recommended Thermal Differential	50° C

GENERAL INSTALLATION

This shower valve is a mixing device so the inlet pressures must be reasonably balanced.

For ease of maintenance, it is recommended that isolation valves are fitted to the inlet feeds.

The valve is supplied with a cover plate as protection during fitting, this should remain in place until second fixing.

Note: When pressure is higher than 5 bar a pressure reducer is required to be fitted before the valve.

CONCEALED INSTALLATION

The valve is designed for concealed installation into a wall either directly to a wall or onto a carrier system.

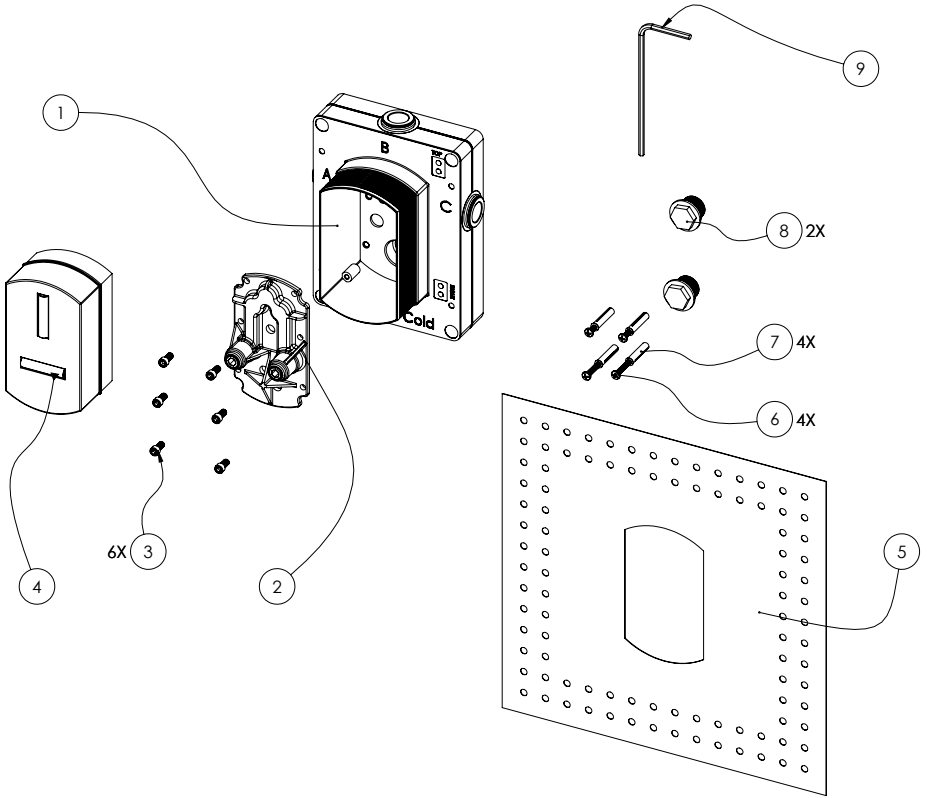
The valve can be mounted vertically (portrait) or horizontally (Landscape). Please take care of the indicators on the body so that the inlets are either to the bottom or to the right.

FLUSH PIPING

All supply pipes **MUST** be thoroughly flushed to remove any debris prior to making any connection to the valve. Failure to do so could result in damage or low flow from the mixer unit.

TESTING

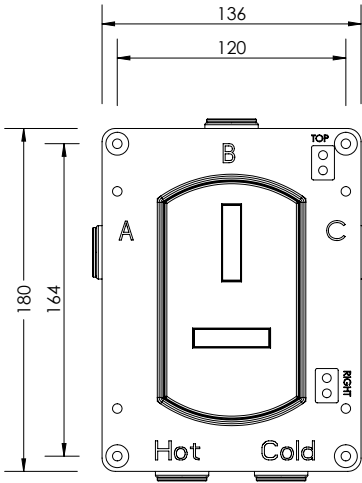
It is advisable to test the installation prior to boarding and tiling to check for leaks.



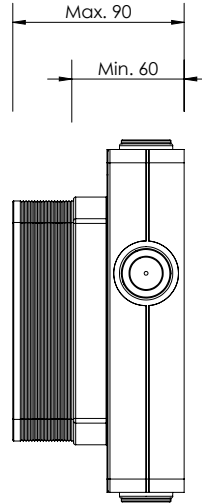
ITEM NO	DESCRIPTION	QTY.
1	In Wall First Fix Part Body	1
2	Test Manifold	1
3	M5 Hex Screws	6
4	Debris Cover Cap	1
5	Waterproof Membrane	1
6	Wall Screws	4
7	Wall Plugs	4
8	Blanking Plug	2
9	Hex Key	1

TYPICAL DIMENSIONS

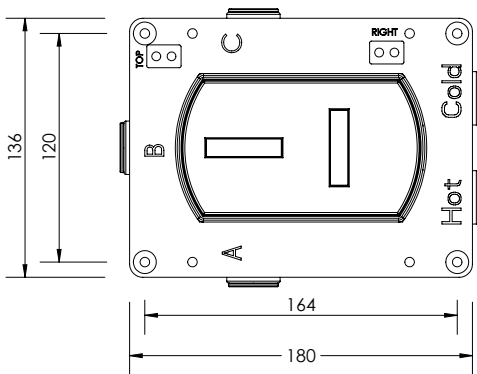
Depending on choice the valve can either be mounted Vertically or Horizontally



Vertical/Portrait

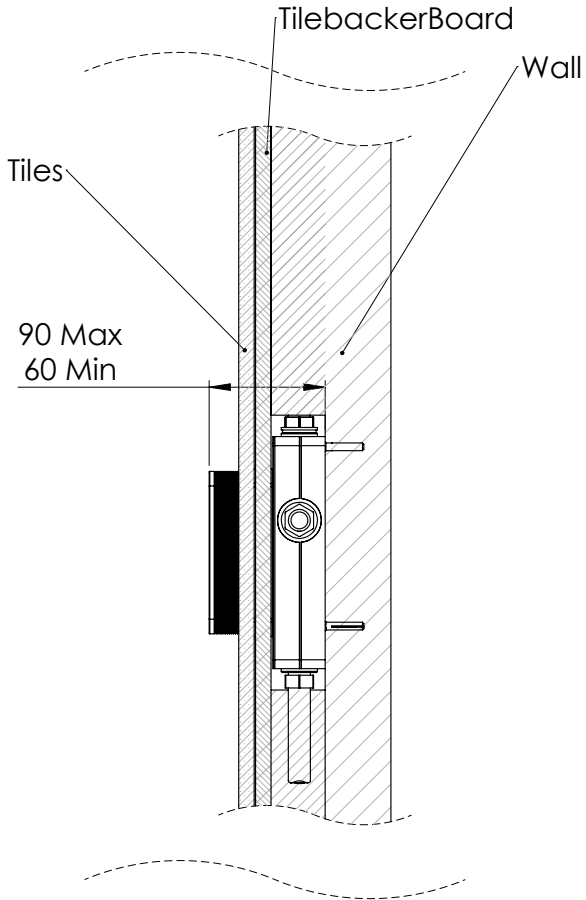


Installation depth



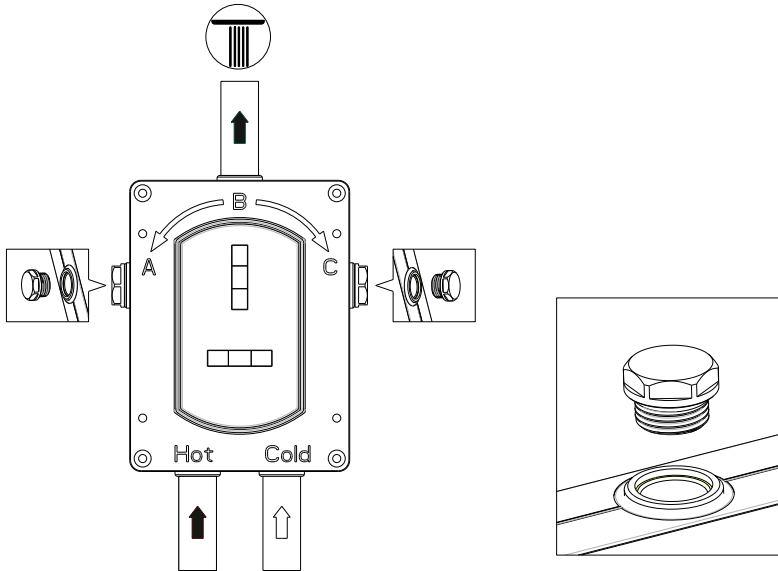
Horizontal/Landscape

Typical installation showing depth of the valve from finished wall surface



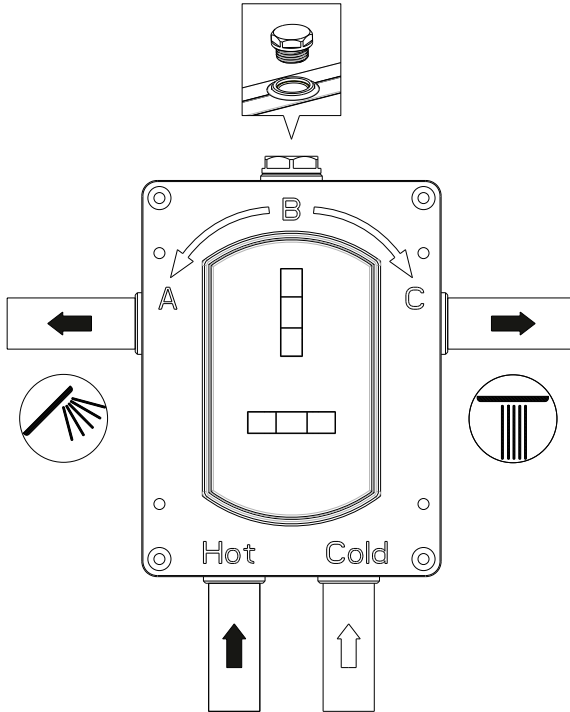
Connections for One Way/Single Outlet and typical applications.

Make all connections using an approved Thread Sealant.



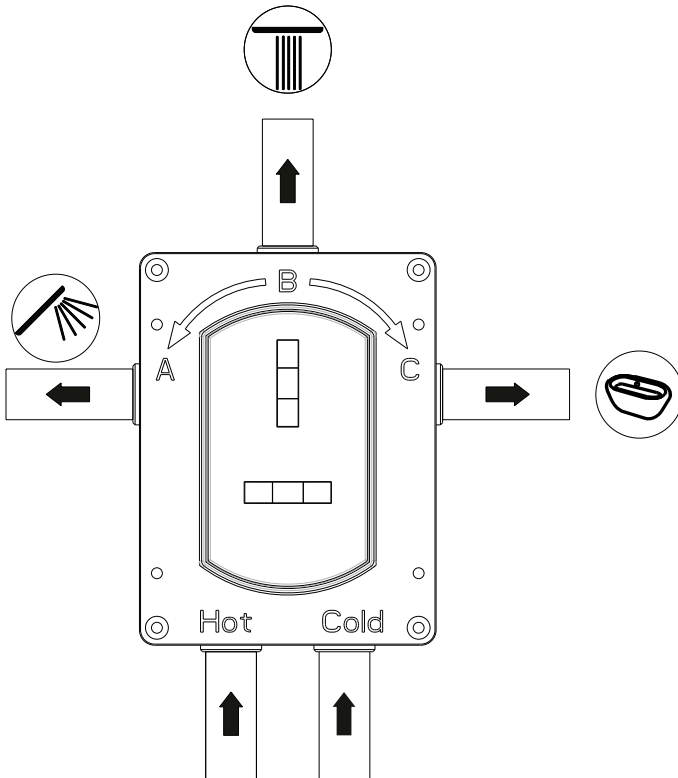
Connections for Two Way/Dual Outlet and typical applications.

Make all connections using an approved Thread Sealant.



Connections for Three Way/Triple Outlet and typical applications.

Make all connections using an approved Thread Sealant.



INSTALLATION STEPS

1

Select the position for the shower valve and offer the shower valve to the wall.

Make sure the valve is set back to the appropriate depth from the finished wall surface, allowing for boarding and tiling.

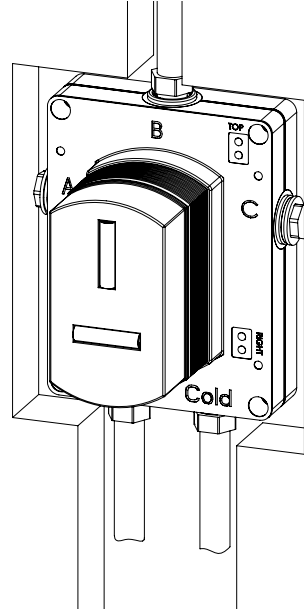
For stud walls a batten or suitable fixing plate can be used.

Ensure the valve is vertical with a level and mark the fixings.

Prepare the supply and outlet pipes as required.

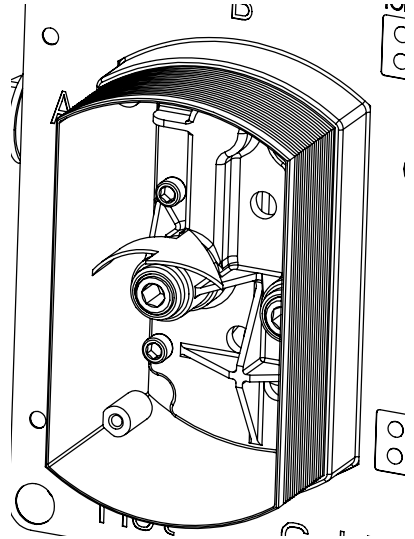
Fix the valve in place and connect the pipework.

Note: It is recommended that isolation valves are fitted to the inlet feeds.



2

Close the inlet isolation ports and check all inlets for leaks.

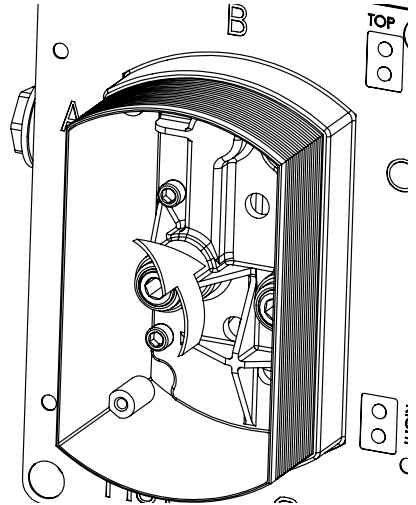


3

Blank off all the outlets and open the isolation ports and check all outlet pipework for leaks.

It is advisable to flush out the system for at least 30 seconds to remove any debris in the pipework.

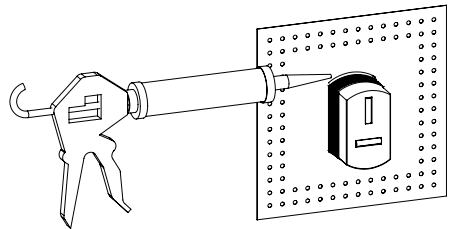
Recommended test pressure is 6 bar.



4

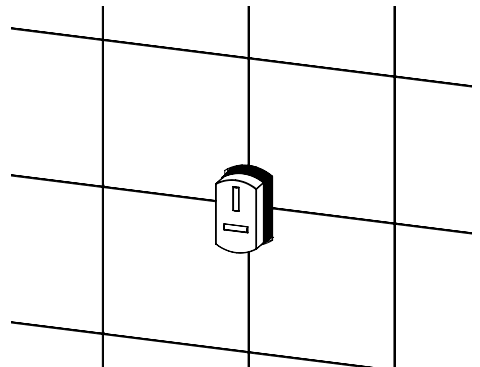
Board the wall, we recommend a suitable waterproof board is used.

Seal the edges around the tiling guide using an appropriate sealer and the included membrane.

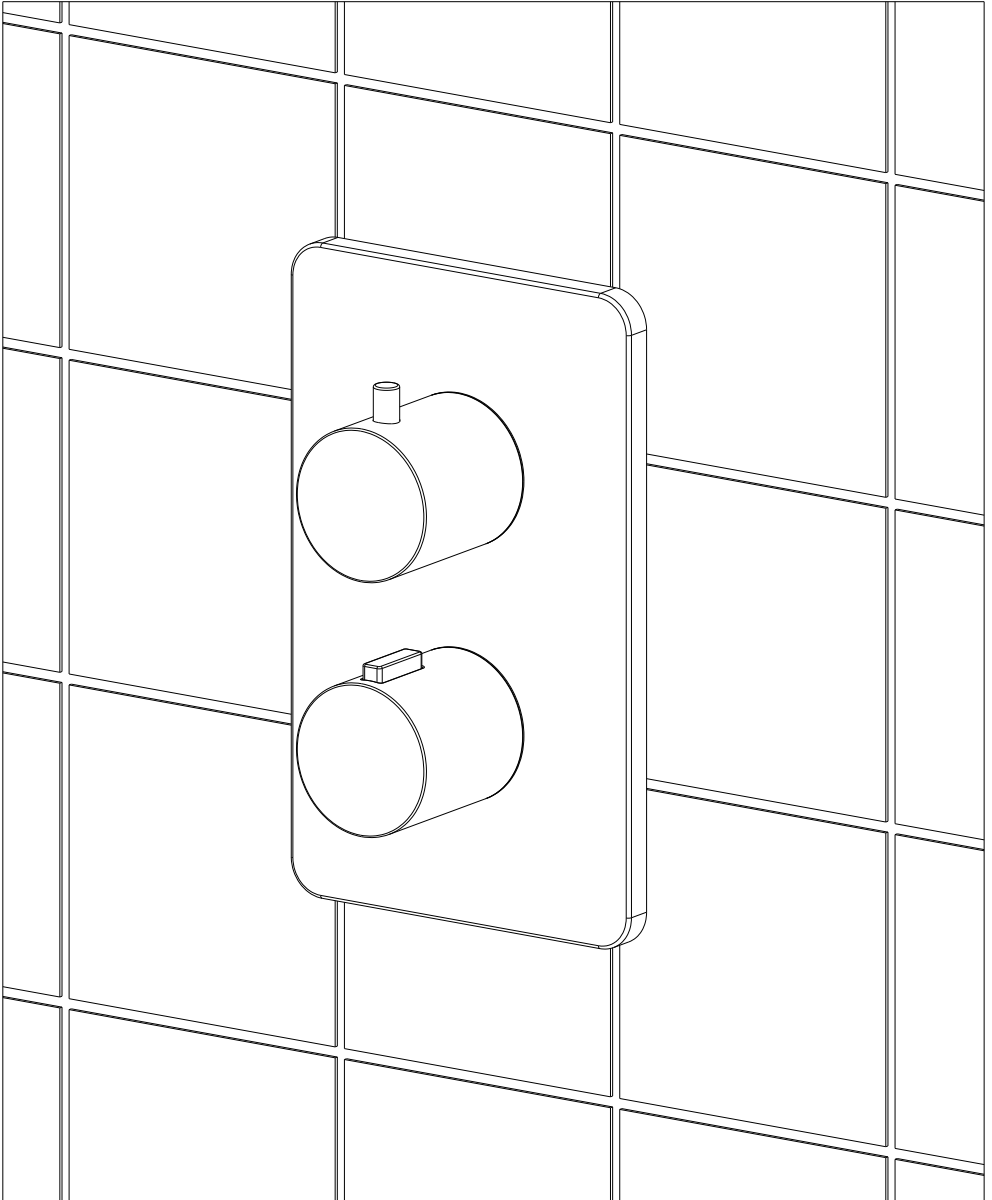


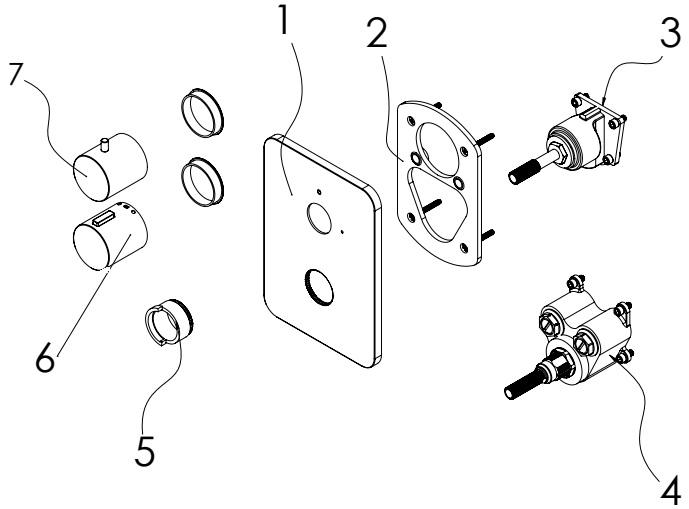
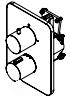
5

Finish the wall by tiling or panelling up to the tiling guide, keep the final finished wall surface between the min and max guides marked.



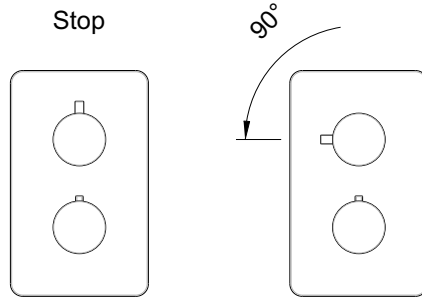
EZ BOX 2.0 FINISH SET



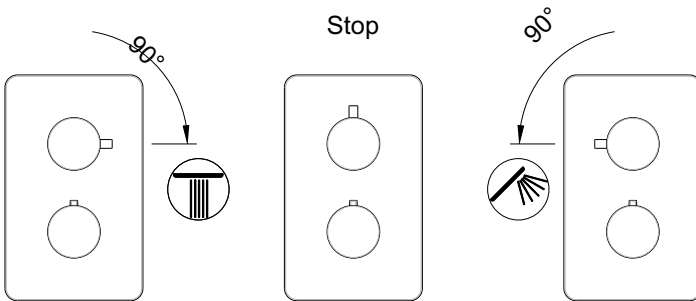


Item	Description
1	Fascia Plate
2	Fascia Back Plate
3	Divert Valve
4	Thermostatic Valve
5	Thermostatic Stop Collar
6	Thermostatic Handle and Collar
7	Divert Handle and Collar

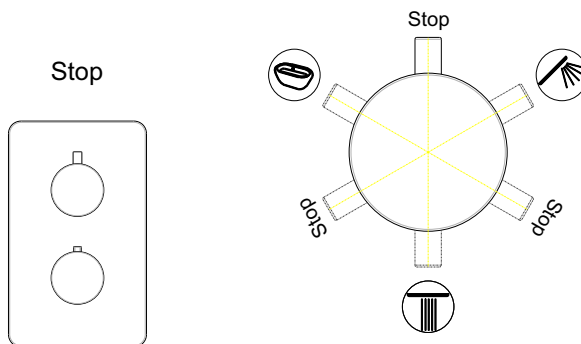
One way



Two way



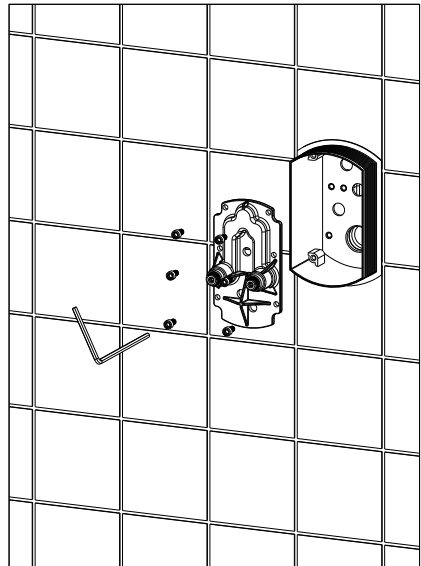
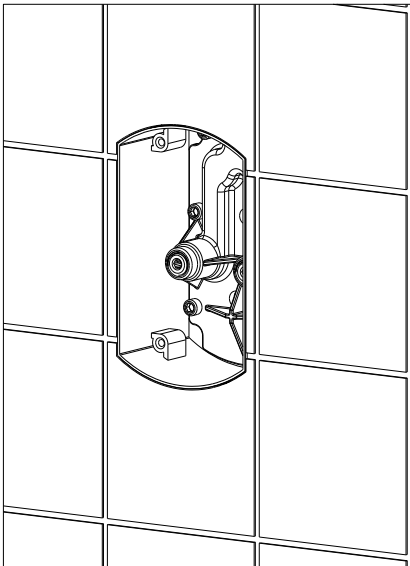
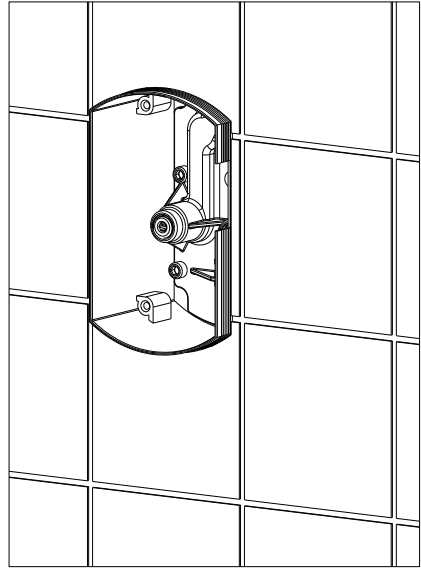
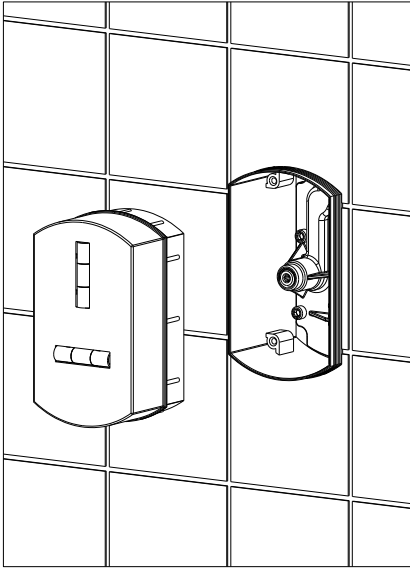
Three way



1

Trim away any excess from the lip of the Easi-Box using a sharp blade, ensuring that none of the lip protrudes beyond the finished wall surface.

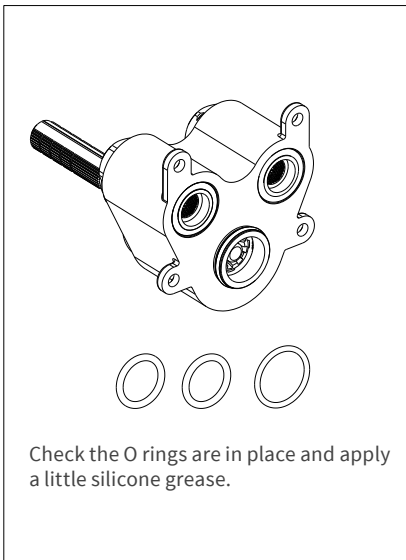
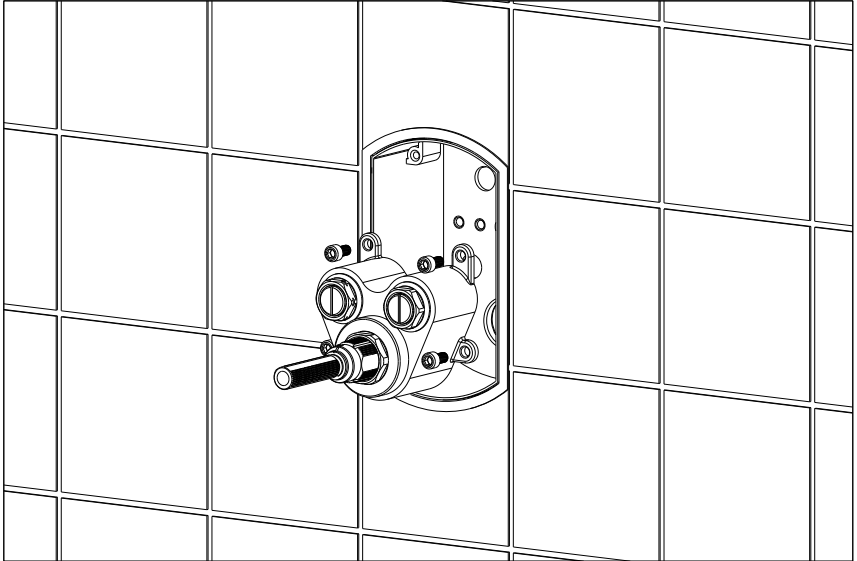
Isolate the water supply and remove the testing manifold



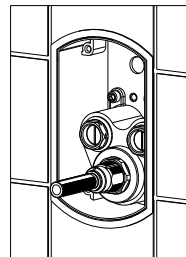
2

Install the Thermostatic Valve ensuring the O rings are in place and tighten all hex screws to 5Nm.

Tip: Apply a little silicone grease to the O rings prior to fitting



The thermostatic body incorporates an isolation port for each supply.



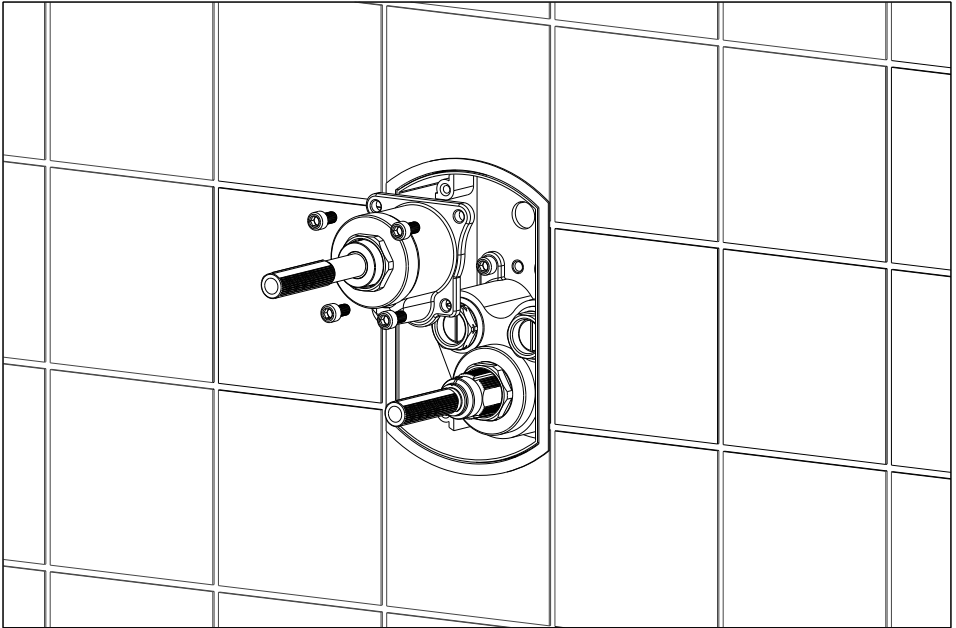
Screw in to isolate the supply

Open the inlets by screwing out until level with the face (DO NOT REMOVE)

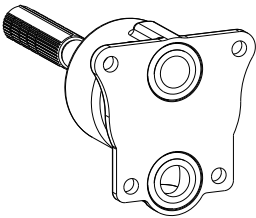


3

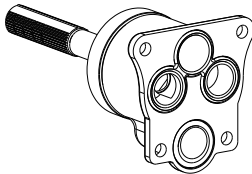
Install the Divert Valve ensuring the O rings are in place and tighten all hex screws to 5Nm.



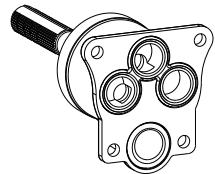
1-way diverter



2-way diverter

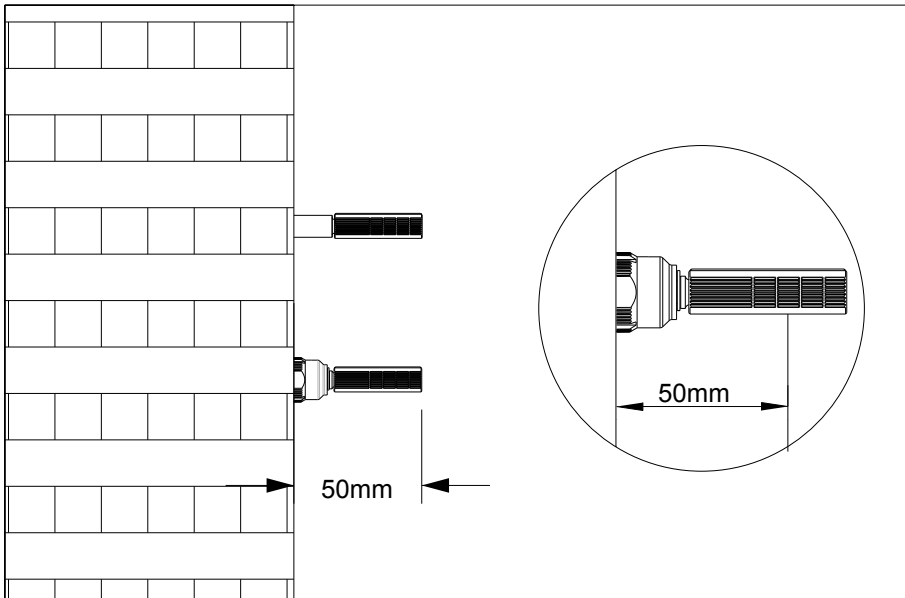
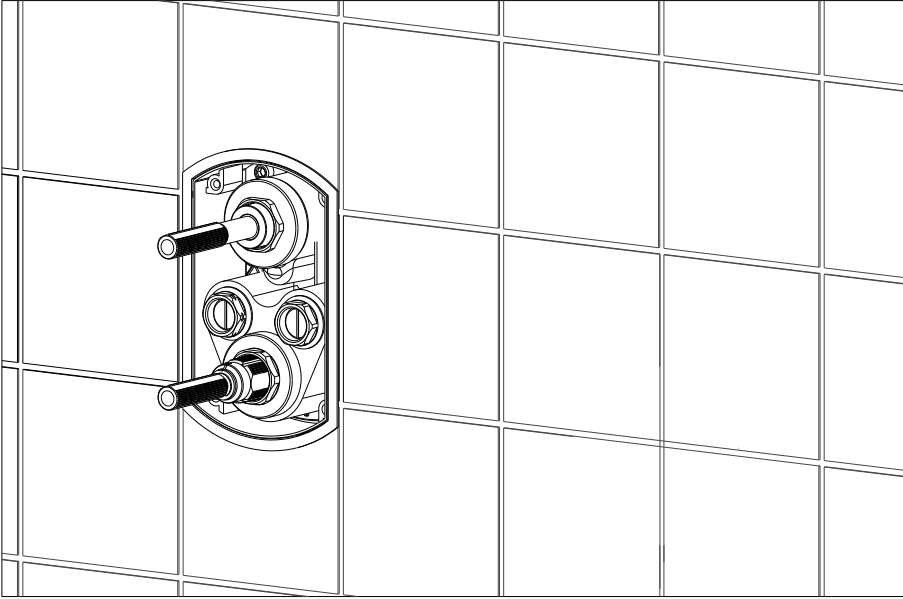


3-way diverter



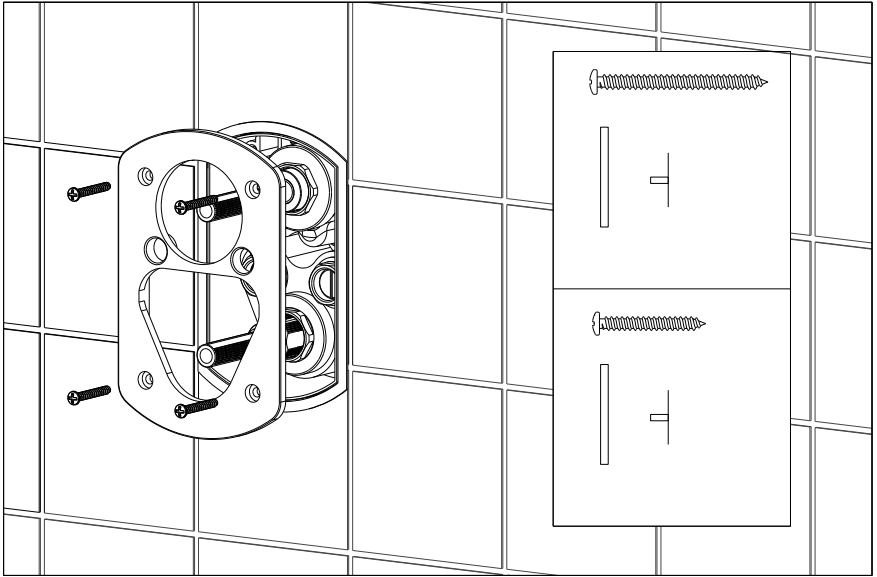
4

Trim away any excess from the plastic spindles so that they are 50mm from the finished wall face.



5

Install the Fascia Backing plate



6

Calibration

Turn on the supply and open the inlet isolation ports.

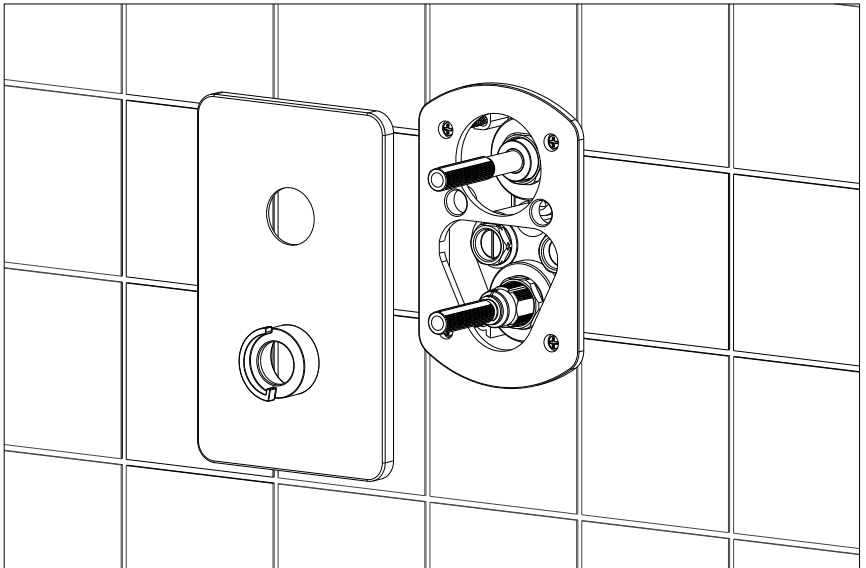
The valve is factory set under balanced pressure with specific inlet temperatures.

As site conditions may differ, the temperature may require re-setting according to site conditions.

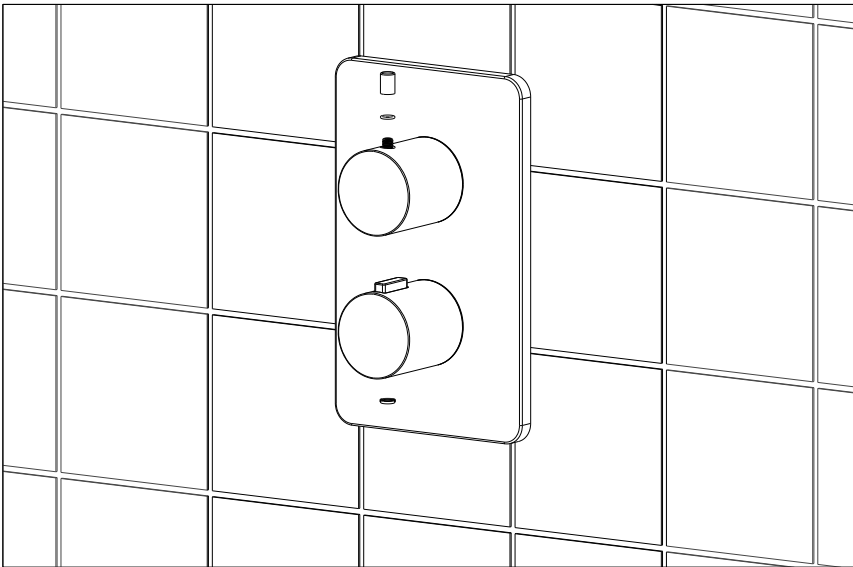
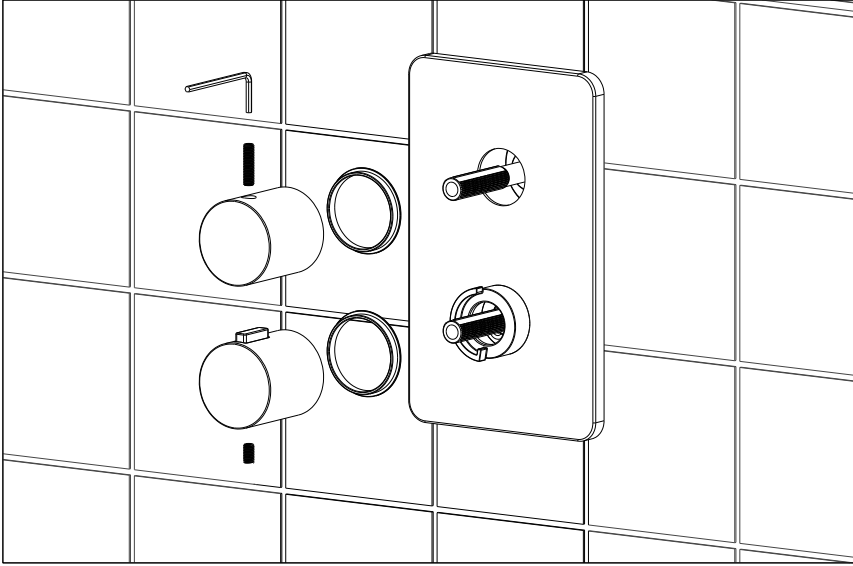
Turn on the flow to the outlet and allow the temperature to stabilise.

Measure the outlet temperature and adjust as necessary by turning the thermostatic spindle until a constant temperature of 38°C is achieved.

According to the heating system allow time for the temperature to stabilise between measurements.



- 7** Fit the Fascia plate ensuring the Thermostatic Stop Collar is positioned as shown
Fit the control knobs ensuring the stop pin of the temperature handle is located against the top of the stop ring.



MAINTENANCE

Over a period of time limescale and debris can affect the performance of the valve.

It is recommended that regular cleaning is carried out to maintain performance.

Prior to any maintenance or service, we recommend you isolate the supply to the valve.

Remove the handles, fascia plate and fascia backing plate.

THERMOSTATIC CARTRIDGE

Isolate the supply or close the isolation ports on the inlets

Unscrew the retaining collar and remove the Thermostatic cartridge.

Clean and rinse the cartridge taking care not to damage the inlet filters

Prior to replacing check for any damage and apply a little silicone grease to the O Rings.

Replace the cartridge and recalibrate.

Turn the spindle until a constant temperature of 38°C is achieved.

According to the heating system allow time for the temperature to stabilise between measurements.

FILTER CLEANING

Turn off the water supply. Remove the handles and face plate.

Remove the combined filter and check valve unit. Rinse and clean these under hot water and wipe to remove any build of debris.

THERMOSTATIC CARTRIDGE MAINTENANCE

Isolate the supply or close the isolation ports on the inlets

Unscrew the retaining collar and remove the Thermostatic cartridge.

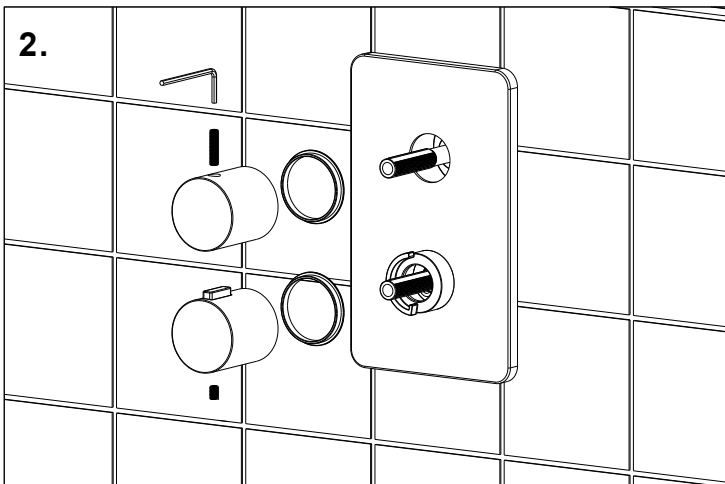
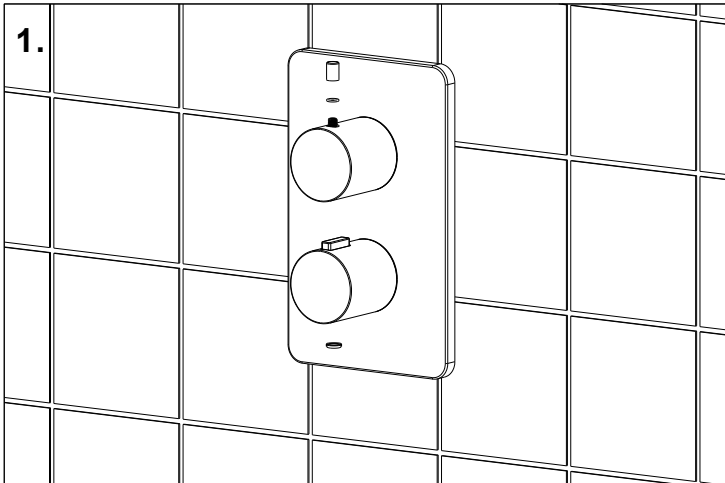
Clean and rinse the cartridge taking care not to damage the inlet filters

Prior to replacing check for any damage and apply a little silicone grease to the O Rings.

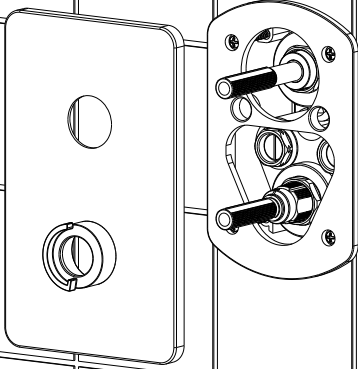
Replace the cartridge and recalibrate.

Turn the spindle until a constant temperature of 38°C is achieved.

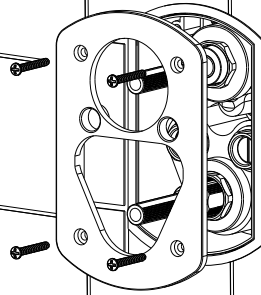
According to the heating system allow time for the temperature to stabilise between measurements.



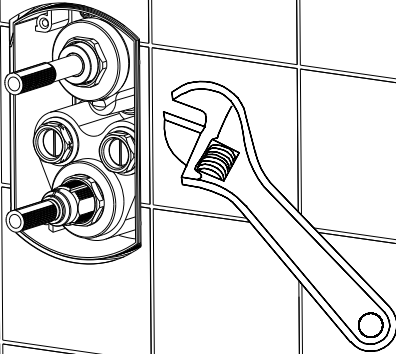
3.



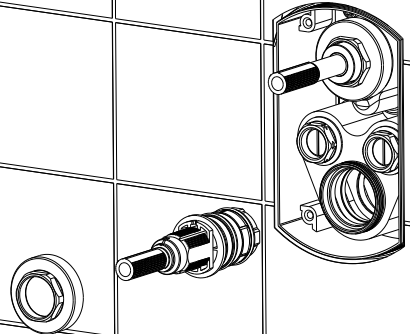
4.



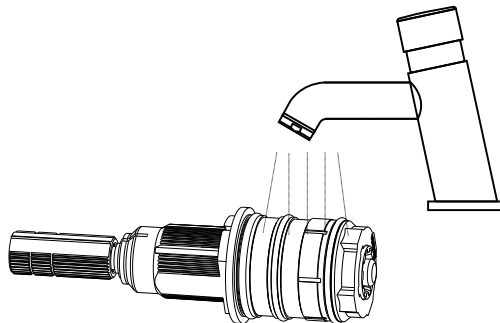
5.



6.

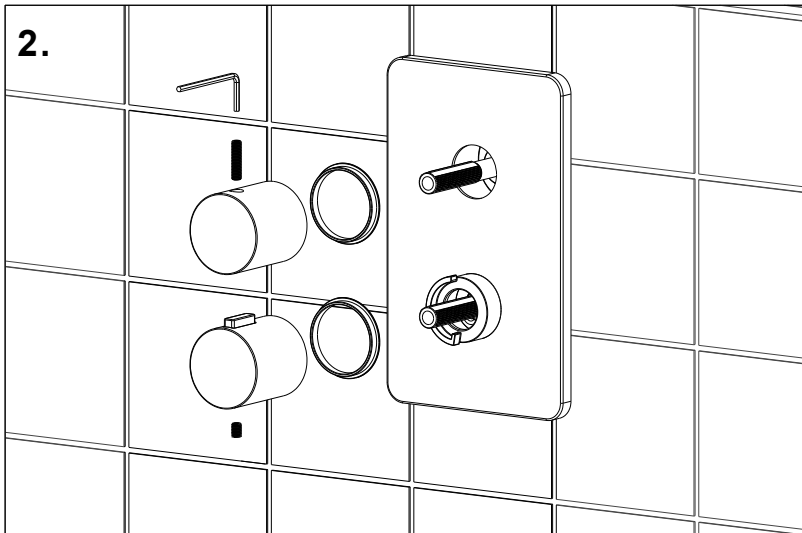
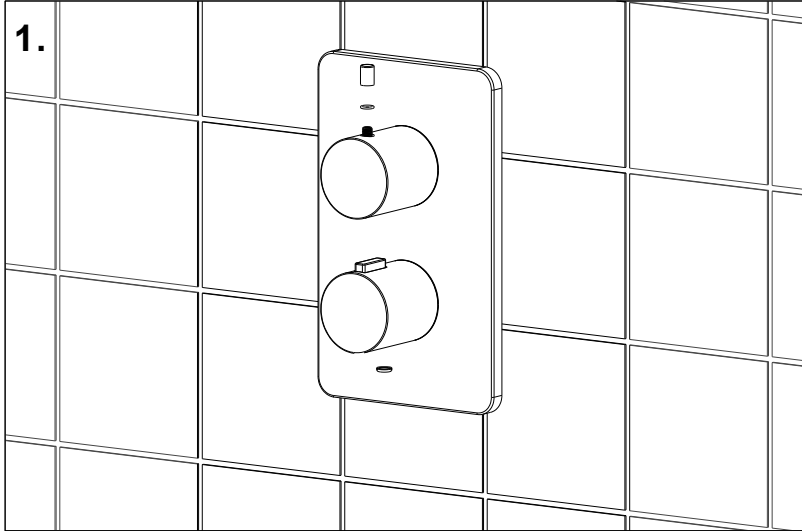


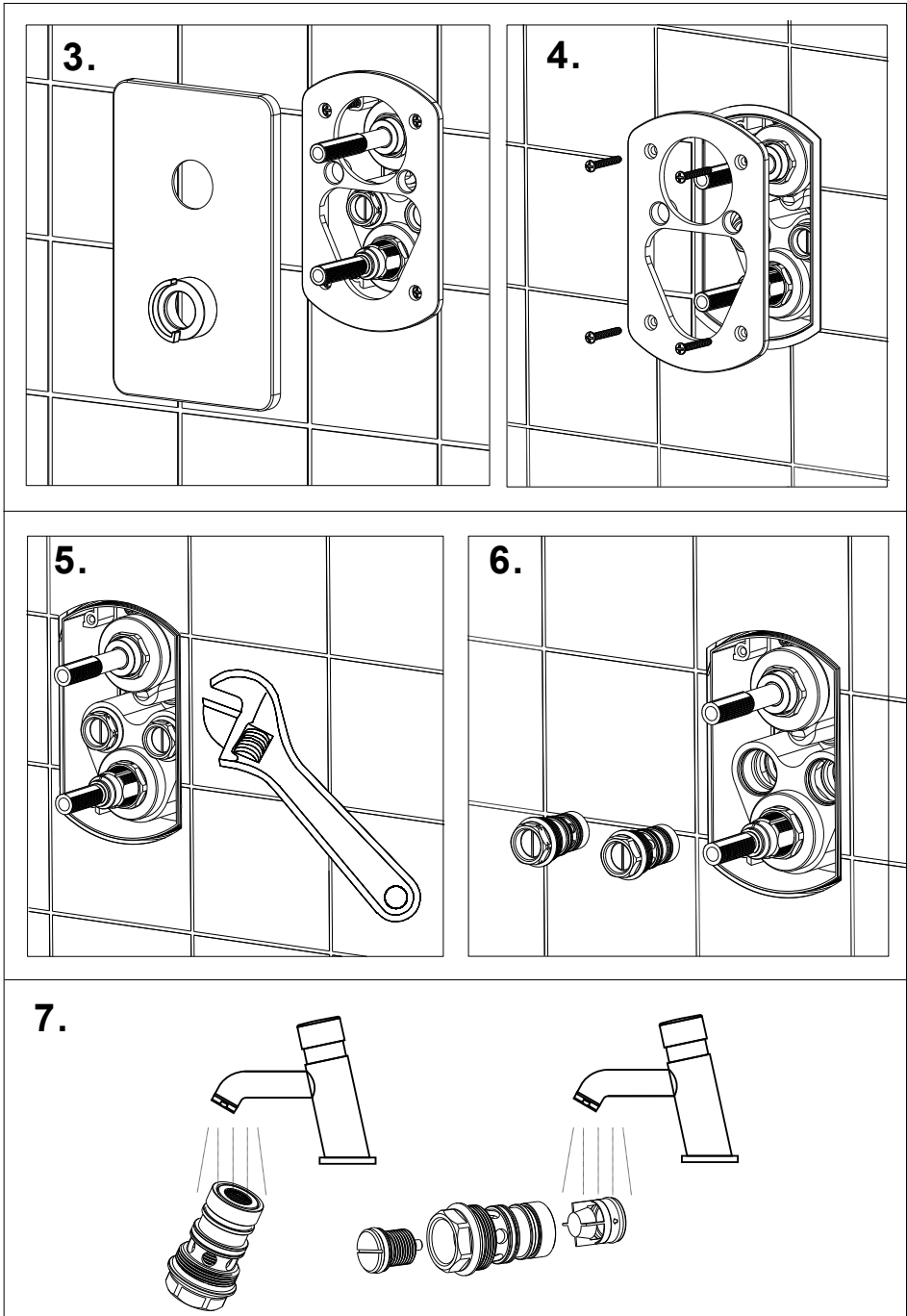
7.



FILTER CLEANING

Turn off the water supply. Remove the handles and face plate. Remove the combined filter and check valve unit. Rinse and clean these under hot water and wipe to remove any build of debris.







SCAN TO WATCH

Scan this QR code with your mobile's QR reader