

PRODUCT DATA SHEET

BRITTON®



PRODUCT CODE

HOX029C

RANGE

Hoxton 2.0

DESCRIPTION

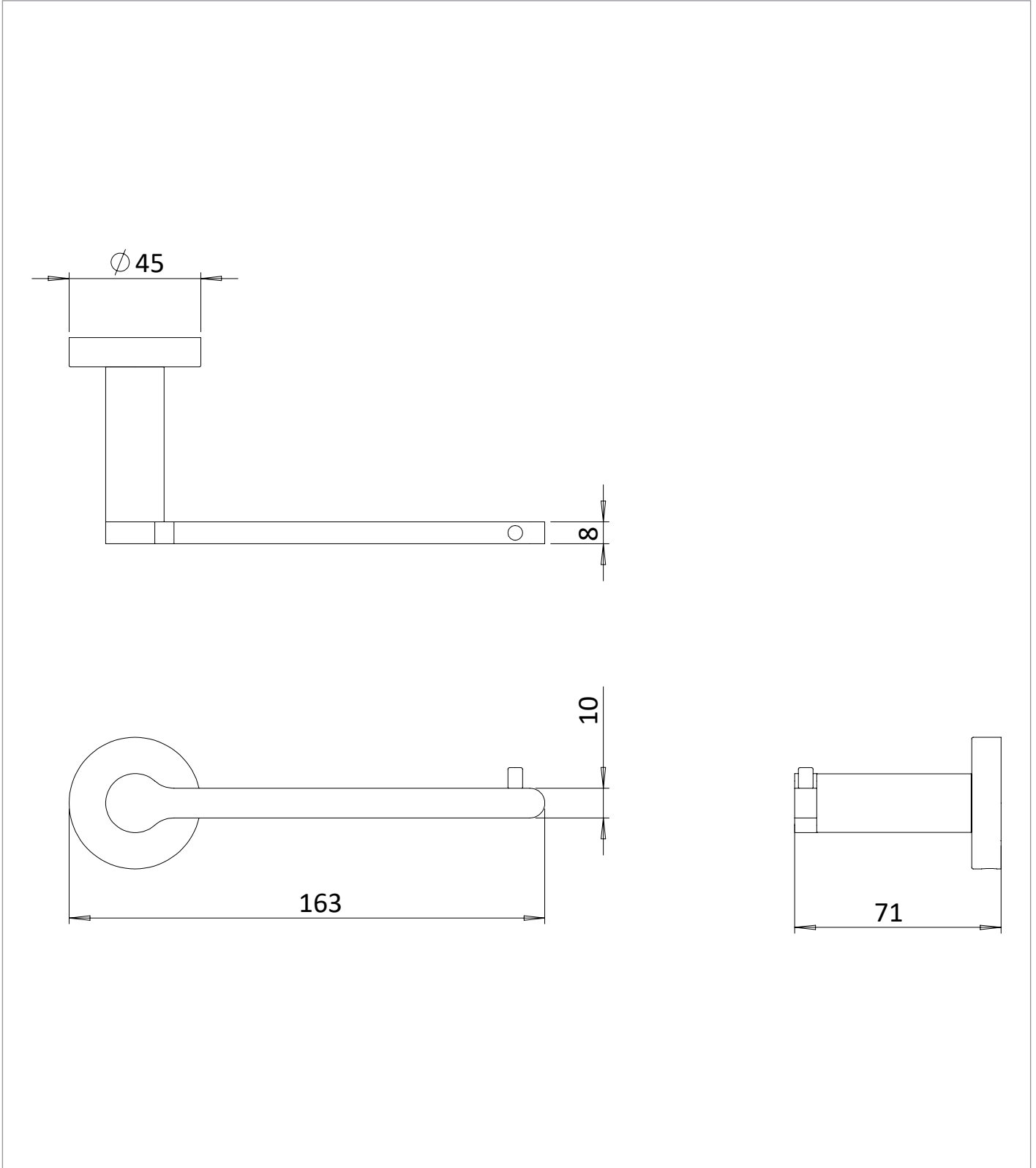
Hoxton 2.0 Single Toilet Roll Holder
Chrome

CATEGORY	Brassware
WARRANTY DETAILS	15 Years
COLOUR	Chrome
FINISH APPLICATION	Electroplated
PRIMARY MATERIAL	Brass
INSTALL TYPE	Wall Mounted
PRODUCT WIDTH MM	163
PRODUCT HEIGHT MM	45
PRODUCT DEPTH MM	71

TECHNICAL DIMENSIONS

Dimensions in mm unless otherwise specified.

Tolerances (per material type) apply.



SPARES LIST

Only the parts labelled are available as spares.

SPARES AVAILABLE UPON REQUEST