

Measurements in millimetres mm

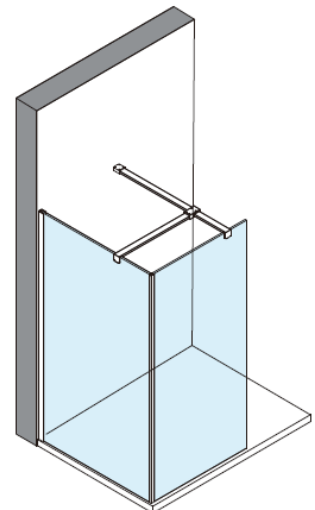
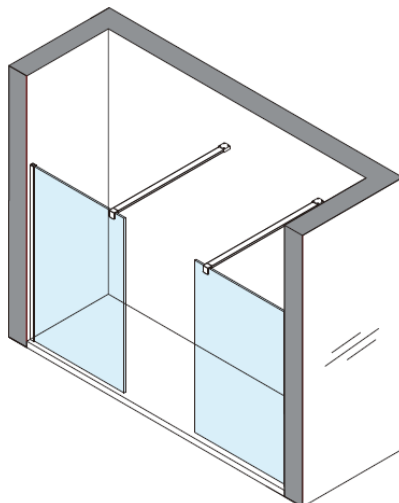
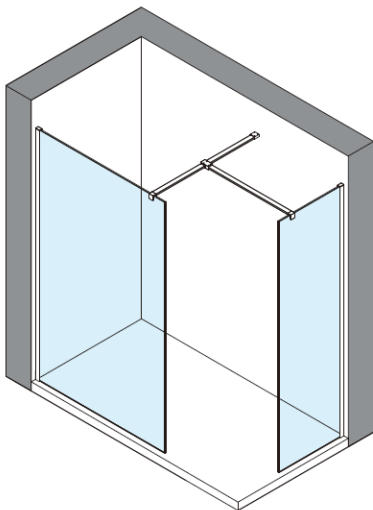
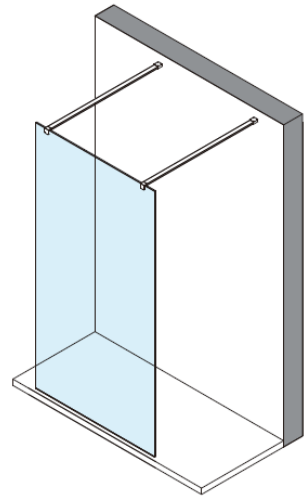
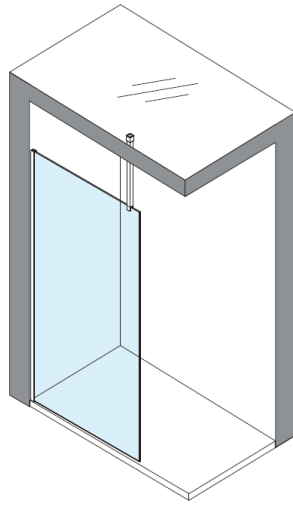
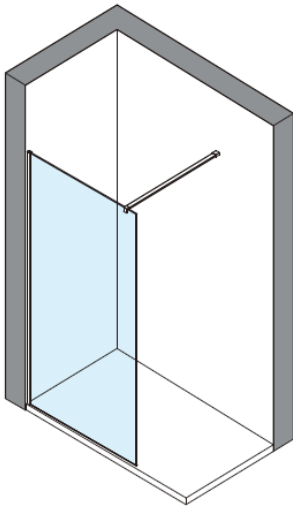
Information updated March 2021

Tel 0345 873 8840

crosswater[™]

GALLERY 10

10mm Toughened Safety Glass
Fixed Walk In Panels & Wall Profiles



Toughened Glass
Strong and safe



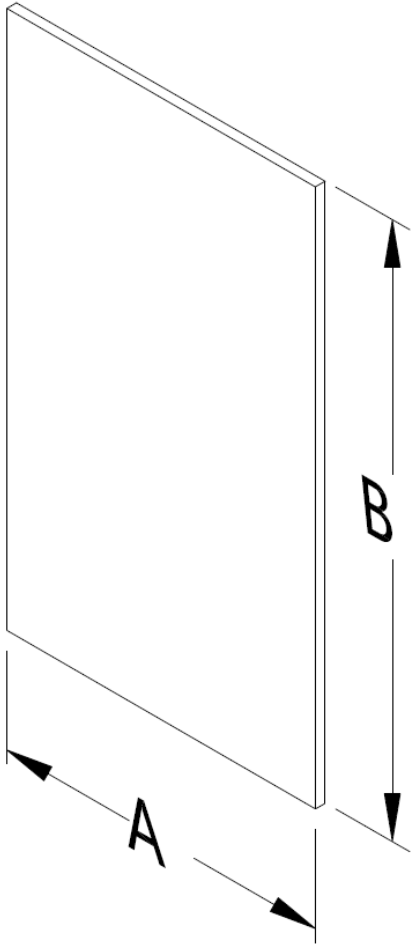
Protective Finish
Easy to clean



Lifetime Guarantee
Peace of mind



BS EN 14428



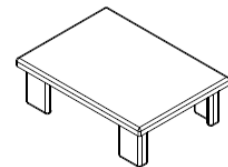
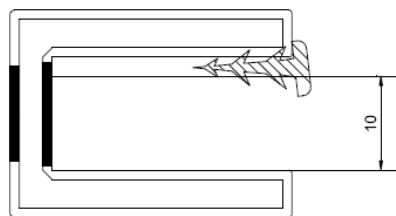
CODE	A	B	Adjustment with Wall profile
	mm	mm	mm
GR030010CF	295	1997	15
GR040010CF	395	1997	15
GR050010CF	495	1997	15
GR060010CF	595	1997	15
GR070010CF	695	1997	15
GR076010CF	755	1997	15
GR080010CF	795	1997	15
GR090010CF	895	1997	15
GR100010CF	995	1997	15
GR110010CF	1095	1997	15
GR120010CF	1195	1997	15
GR140010CF	1395	1997	15

Maximum width of glass without bracing support 500mm



CODE	Gallery 10 Wall Profile	ADJUSTMENT	Size w x d	Height
	Colour	mm	mm	mm
GRPROFILEF	Brushed Brass	15	30 x 22	2000
GRPROFILEMB	Matt Black	15	30 x 22	2000
GRPROFILEPSS	Polished Stainless Steel	15	30 x 22	2000
GRPROFILEV	Brushed Stainless Steel	15	30 x 22	2000

Supplied with Cover cap and Squeeze gasket



Toughened Glass
Strong and safe



Protective Finish
Easy to clean



Lifetime Guarantee
Peace of mind



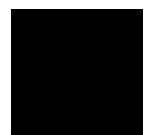
Brushed Brass



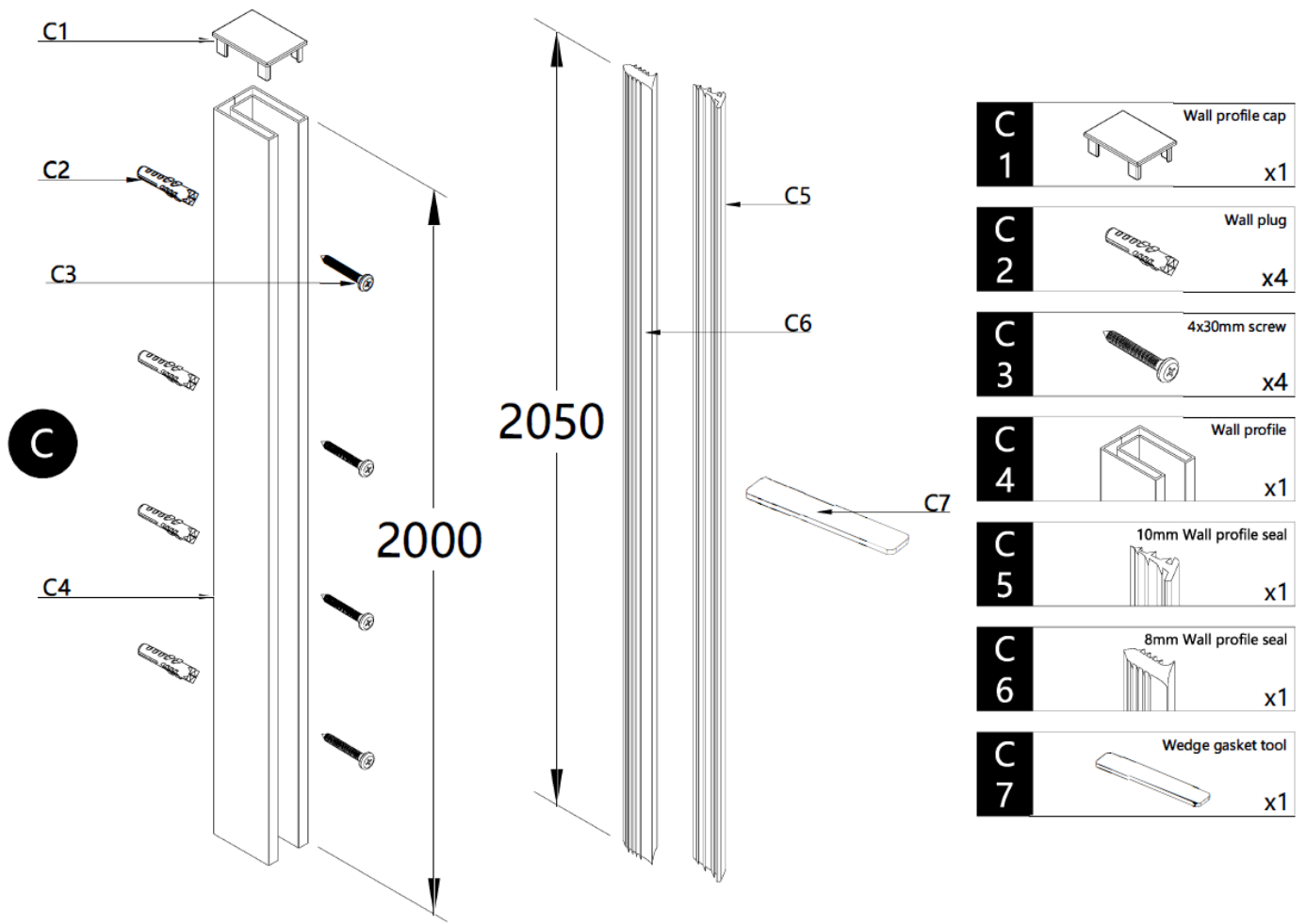
Polished Stainless

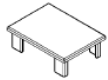


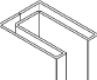


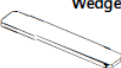


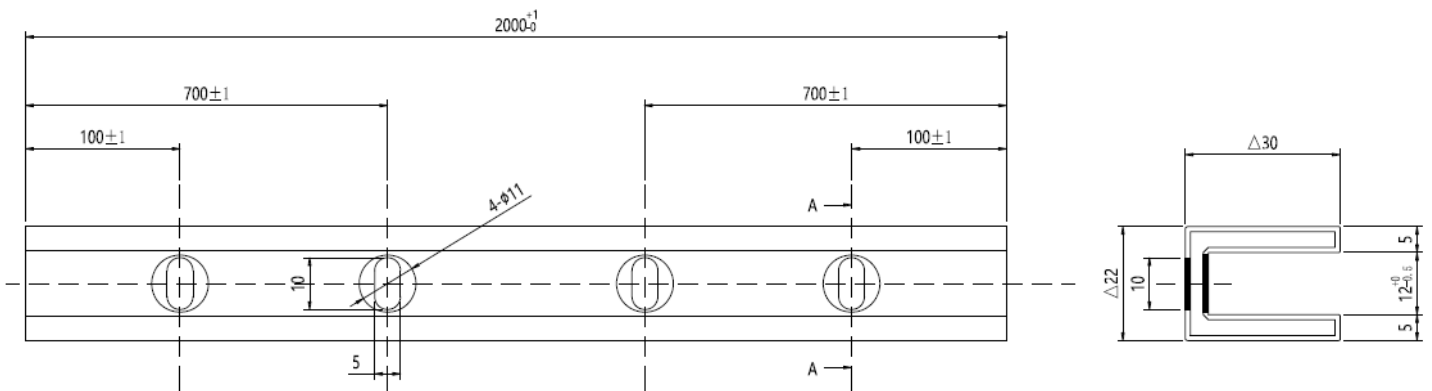
Brushed Stainless



Matt Black



C 1		Wall profile cap	x1
C 2		Wall plug	x4
C 3		4x30mm screw	x4
C 4		Wall profile	x1
C 5		10mm Wall profile seal	x1
C 6		8mm Wall profile seal	x1
C 7		Wedge gasket tool	x1



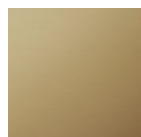
Toughened Glass
Strong and safe



Protective Finish
Easy to clean



Lifetime Guarantee
Peace of mind



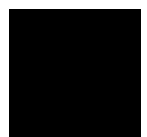
Brushed Brass



Polished Stainless



Brushed Stainless



Matt Black

GALLERY 10

Fixed Walk In Panels

Bracing Bar Options



Glass to Wall Bracing Bar

1200mm long. Can support panels up to 1400mm.



Glass to Ceiling Bracing Bar

600mm long. Can support panels up to 1000mm.



T Bracing Bar

1200 x 1200mm. Can support panels up to 1000mm.



Toughened Glass
Strong and safe



Protective Finish
Easy to clean



Lifetime Guarantee
Peace of mind



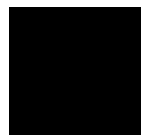
Brushed Brass



Polished Stainless

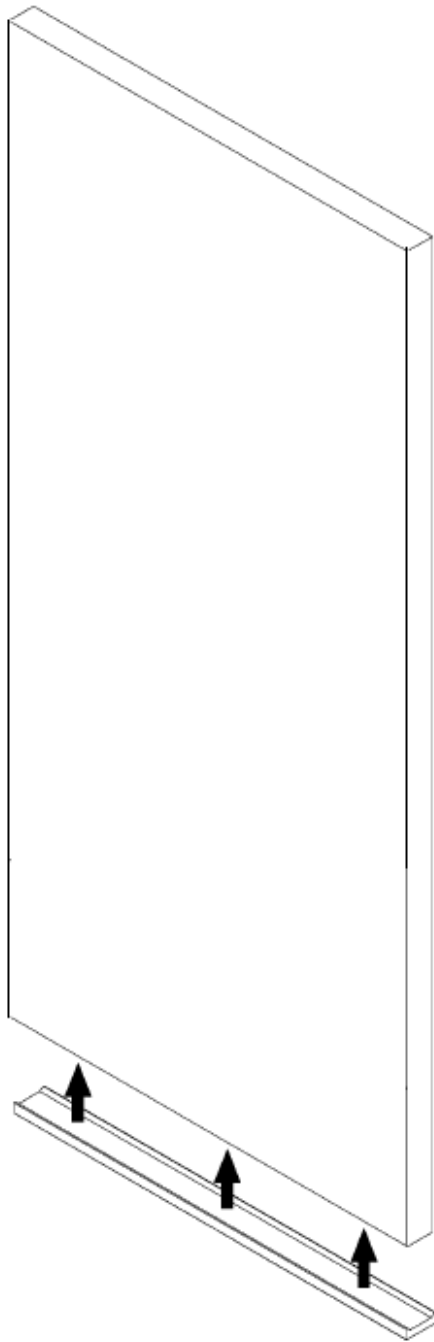


Brushed Stainless



Matt Black

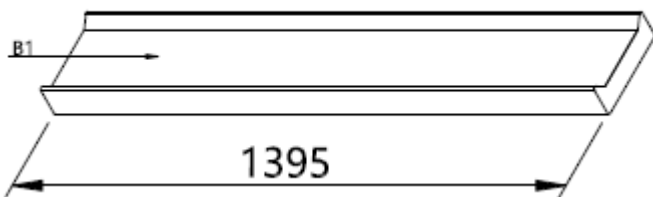
GALLERY 10
Optional Seal



CODE	Gallery 10 Optional Seal

GRSEAL1400X10 Clear PVC Self-adhesive

Supplied to be cut down during installation



Measurements in millimetres mm

Information updated March 2021

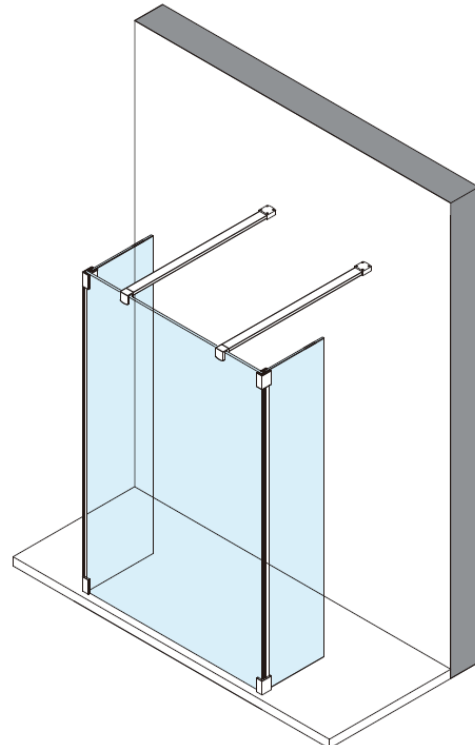
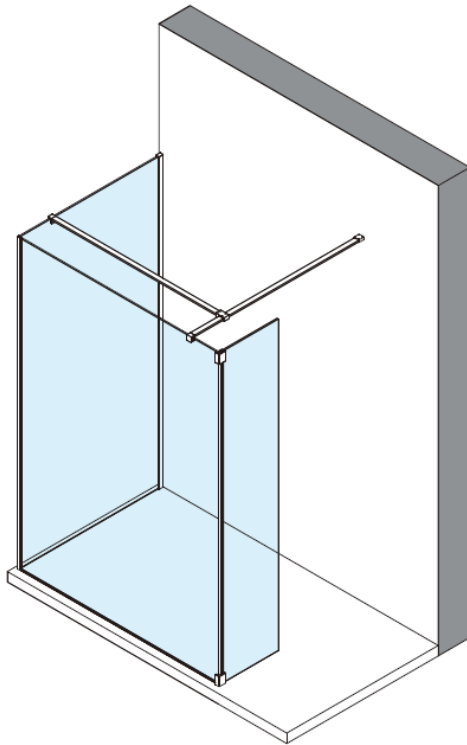
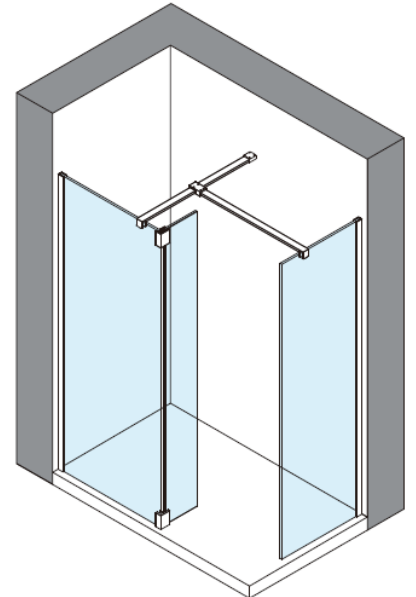
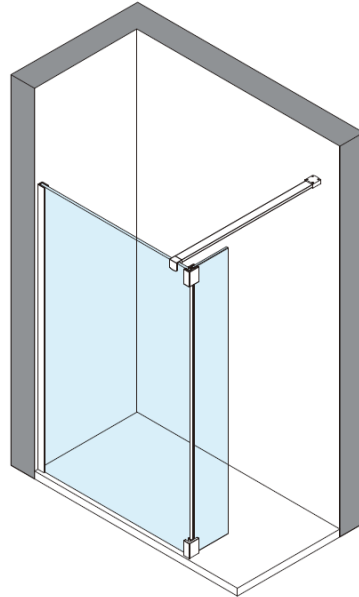
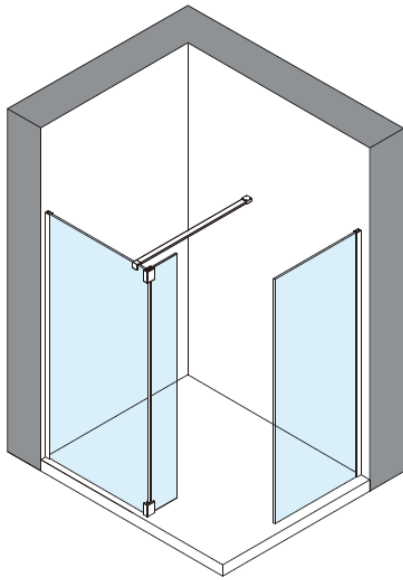
Tel 0345 873 8840

crosswater[™]

GALLERY 10

10mm Toughened Safety Glass

Fixed Deflector Panel



Toughened Glass
Strong and safe



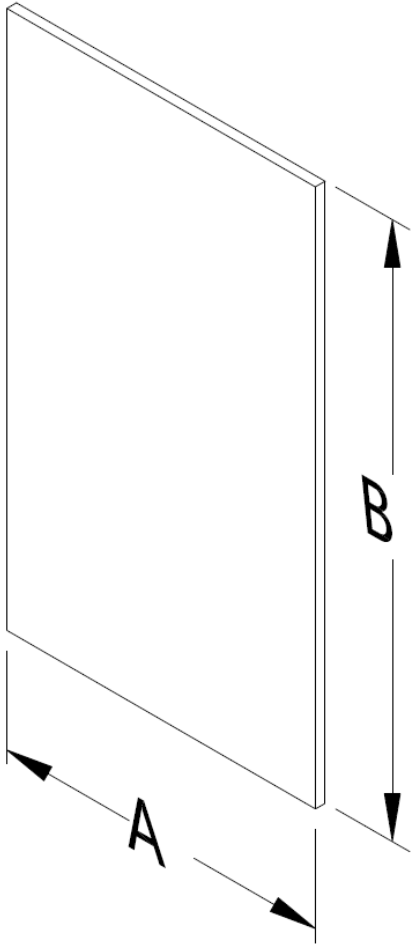
Protective Finish
Easy to clean



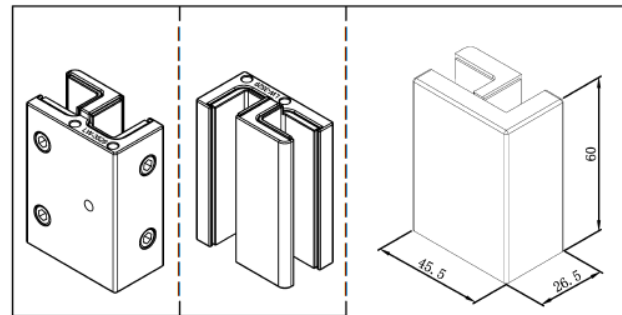
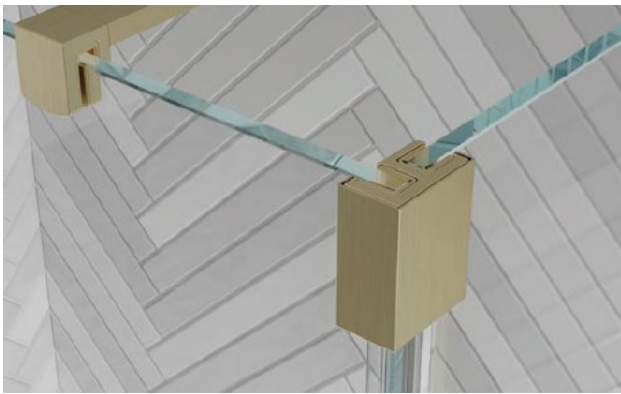
Lifetime Guarantee
Peace of mind



BS EN 14428



CODE	A	B
	mm	mm
GR030010CF	295	1997
GR040010CF	395	1997



CODE	Gallery 10	Size w x h x d
	Colour	mm
GRBRACKF	Brushed Brass	26.5 x 45.5 x 60
GRBRACKMB	Matt Black	26.5 x 45.5 x 60
GRBRACKPSS	Polished Stainless Steel	26.5 x 45.5 x 60
GRBRACKPSS	Brushed Stainless Steel	26.5 x 45.5 x 60
GRBUBBLESEAL	Clear PVC	1880 length



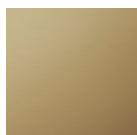
Toughened Glass
Strong and safe



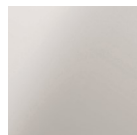
Protective Finish
Easy to clean



Lifetime Guarantee
Peace of mind



Brushed Brass



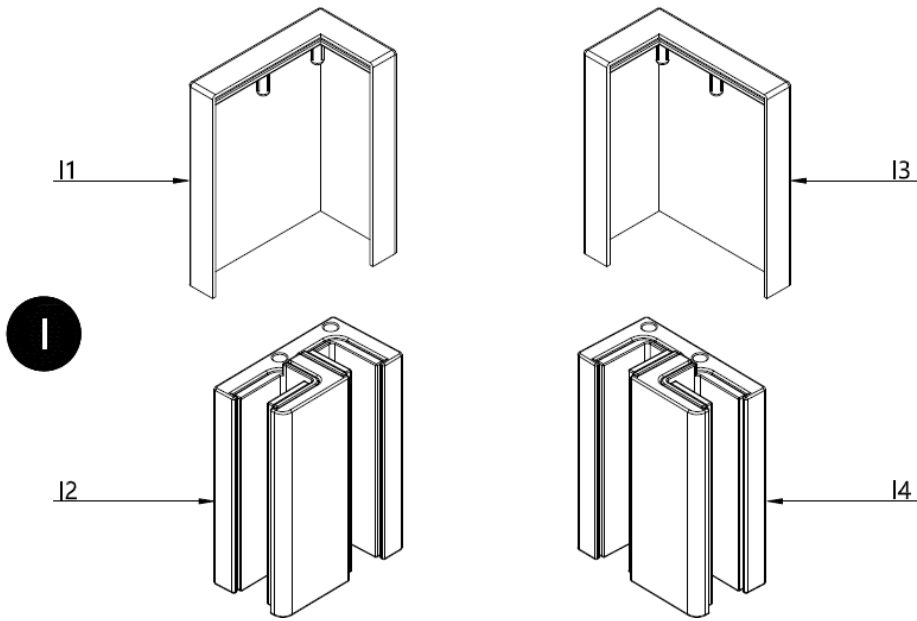
Polished Stainless



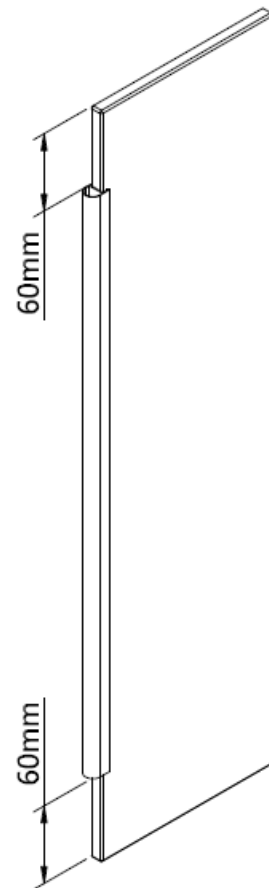
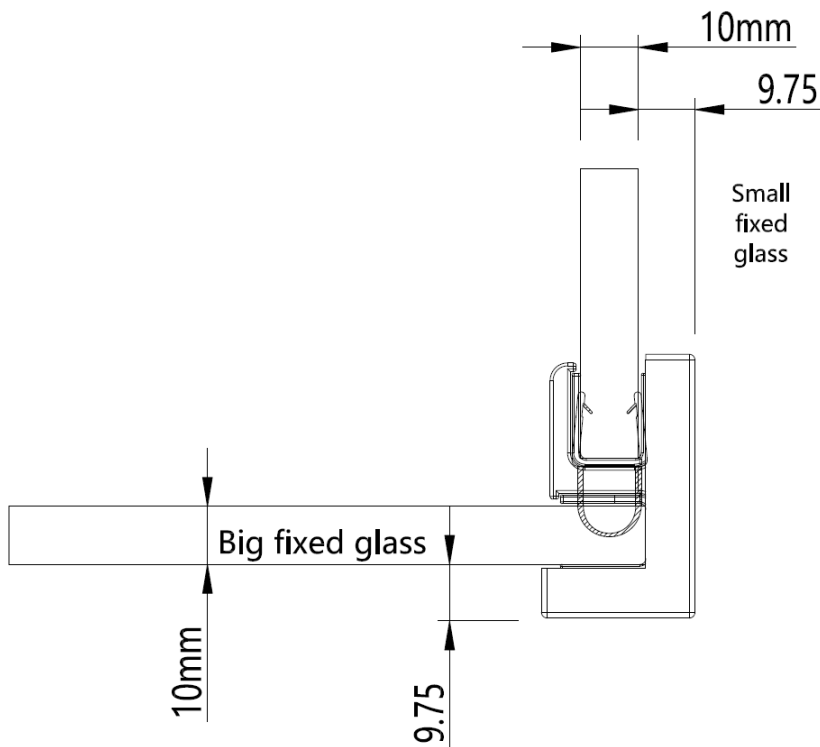
Brushed Stainless



Matt Black



- | | | | |
|---|--|------------------------|----|
| 1 | | Corner bracket cover L | x1 |
| 2 | | Corner bracket L | x1 |
| 3 | | Corner bracket cover R | x1 |
| 4 | | Corner bracket R | x1 |
| 5 | | Allen Key
4mm | x1 |



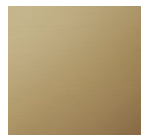
Toughened Glass
Strong and safe



Protective Finish
Easy to clean



Lifetime Guarantee
Peace of mind



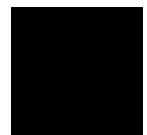
Brushed Brass



Polished Stainless



Brushed Stainless



Matt Black

GALLERY 10

Fixed Walk In Panels

Bracing Bar Options



Glass to Wall Bracing Bar

1200mm long. Can support panels up to 1400mm.



Glass to Ceiling Bracing Bar

600mm long. Can support panels up to 1000mm.



T Bracing Bar

1200 x 1200mm. Can support panels up to 1000mm.



Toughened Glass
Strong and safe



Protective Finish
Easy to clean



Lifetime Guarantee
Peace of mind



Brushed Brass



Polished Stainless



Brushed Stainless



Matt Black

Measurements in millimetres mm

Information updated March 2021

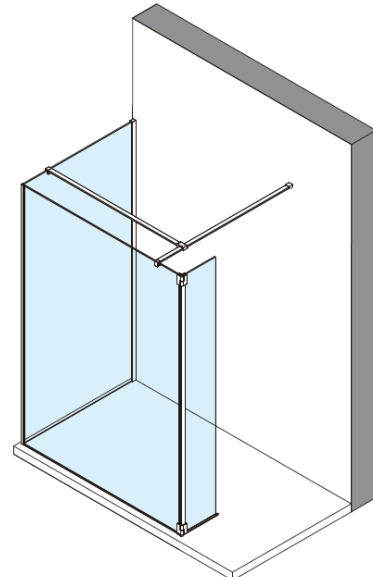
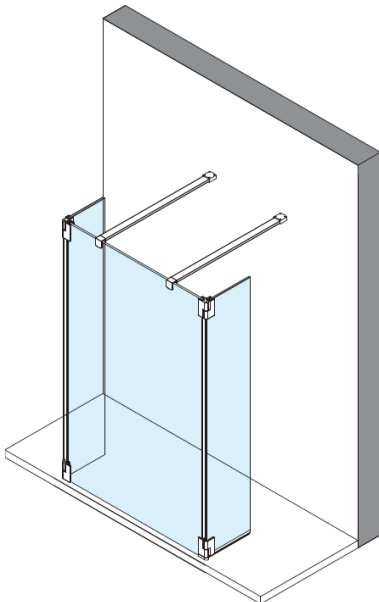
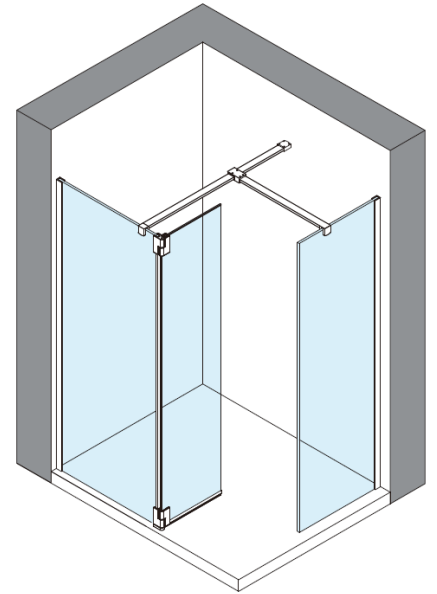
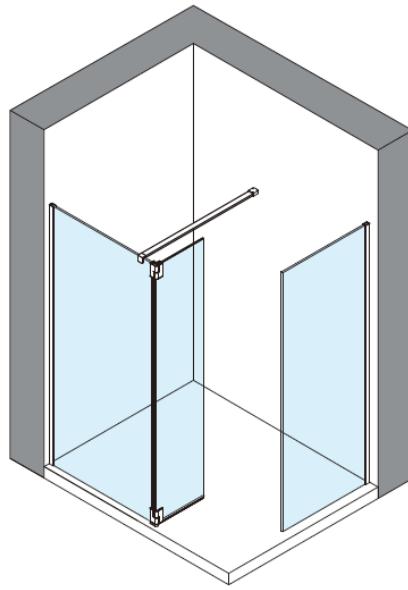
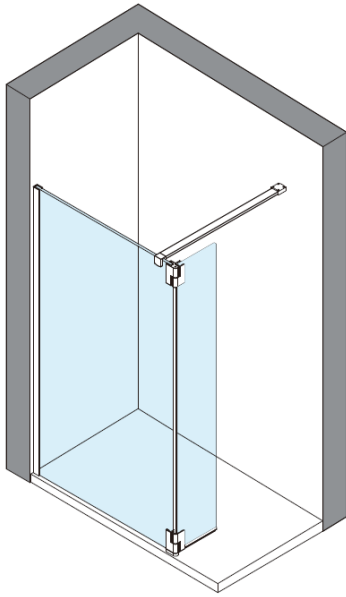
Tel 0345 873 8840

crosswater[™]

GALLERY 10

8mm Toughened Safety Glass

Hinged Deflector Panel 180°



Toughened Glass
Strong and safe



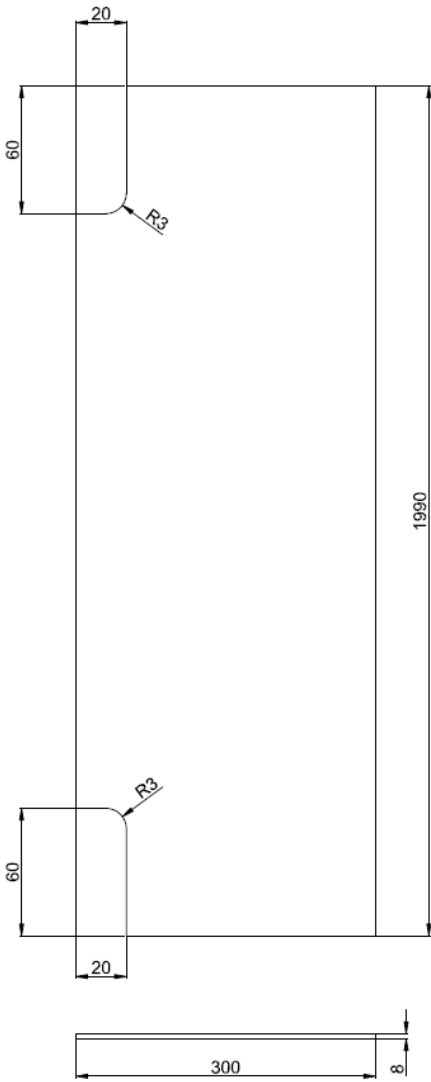
Protective Finish
Easy to clean



Lifetime Guarantee
Peace of mind

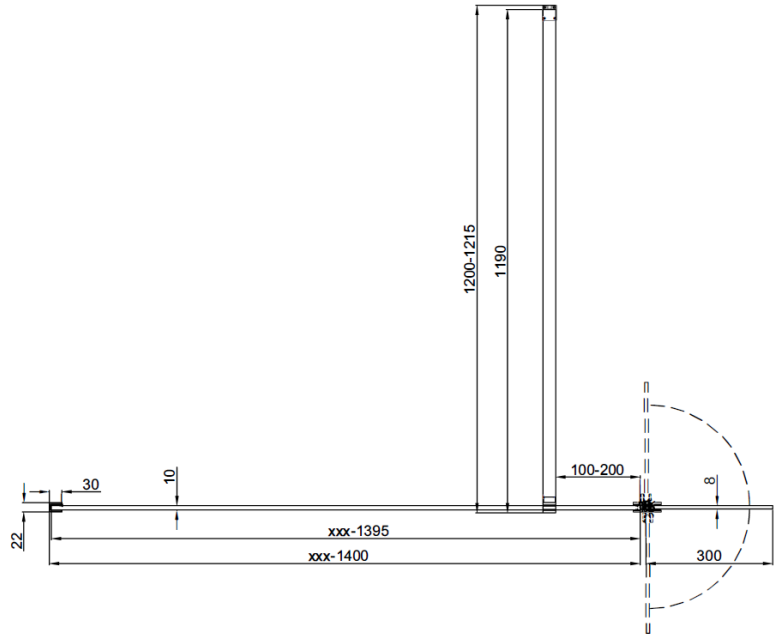


BS EN 14428

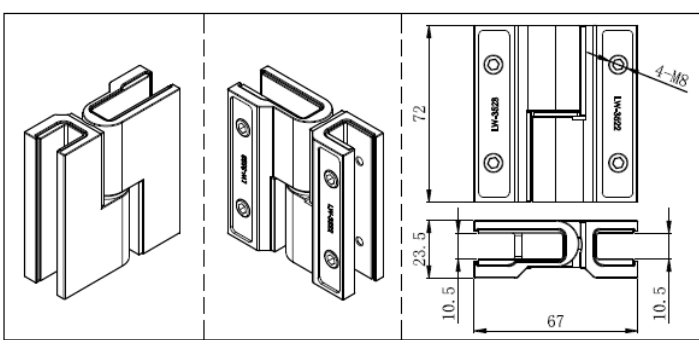


CODE	Height mm	Width mm	Glass Thickness mm
GRDEFLEC300	300	1990	8

Requires GRDEFHINGE



CODE	Gallery 10	Size w x h x d
	Colour	mm
GRDEFHINGEF	Brushed Brass	67 x 72 x 23.5
GRDEFHINGEMB	Matt Black	67 x 72 x 23.5
GRDEFHINGEPSS	Polished Stainless Steel	67 x 72 x 23.5
GRDEFHINGEV	Brushed Stainless Steel	67 x 72 x 23.5



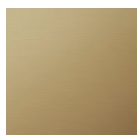
Toughened Glass
Strong and safe



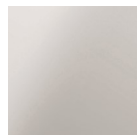
Protective Finish
Easy to clean



Lifetime Guarantee
Peace of mind



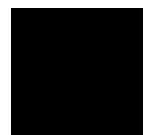
Brushed Brass



Polished Stainless



Brushed Stainless



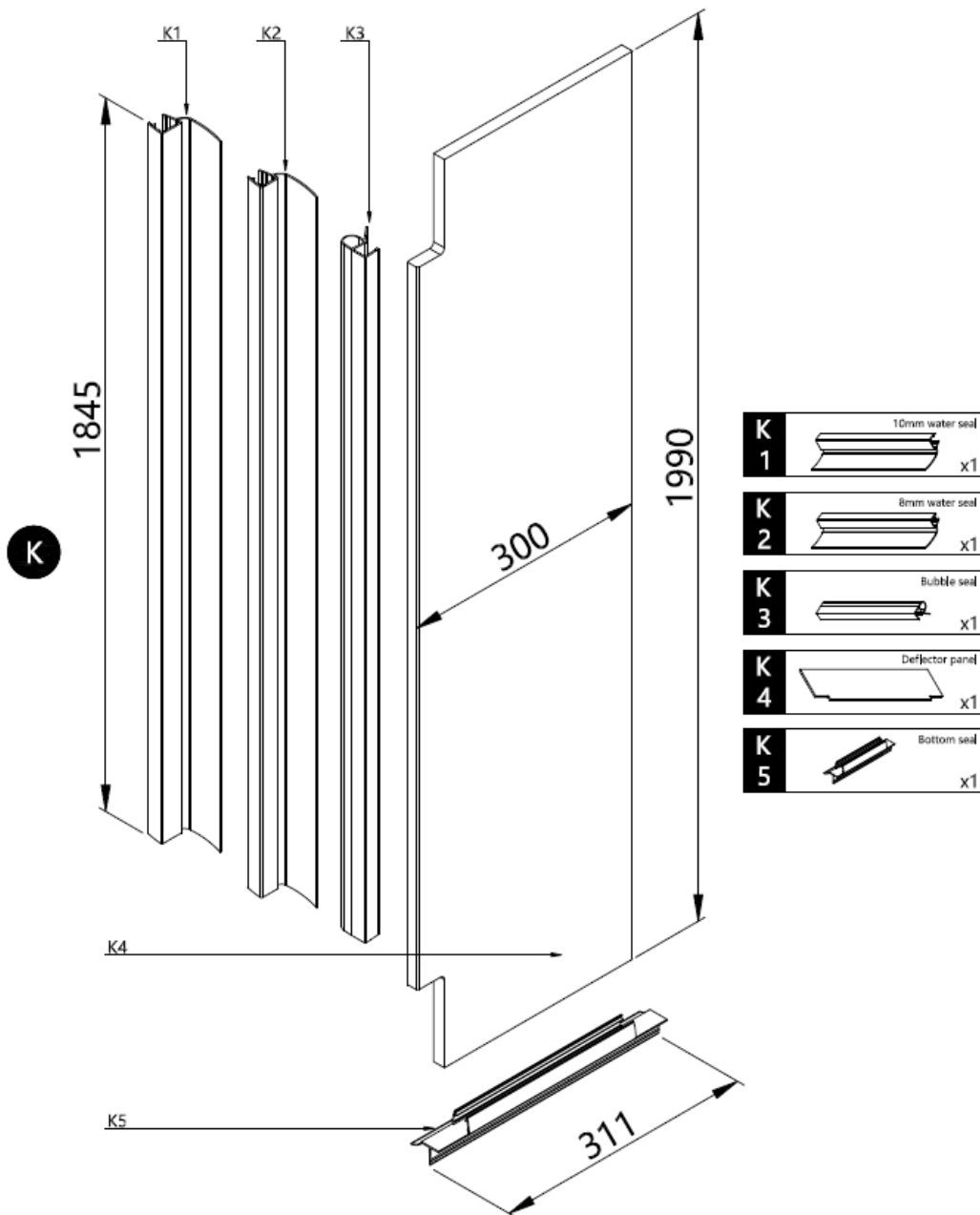
Matt Black

GALLERY 10

GRDEFLEC300

8mm Toughened Safety Glass

Hinged Deflector Panel 180°



Toughened Glass
Strong and safe



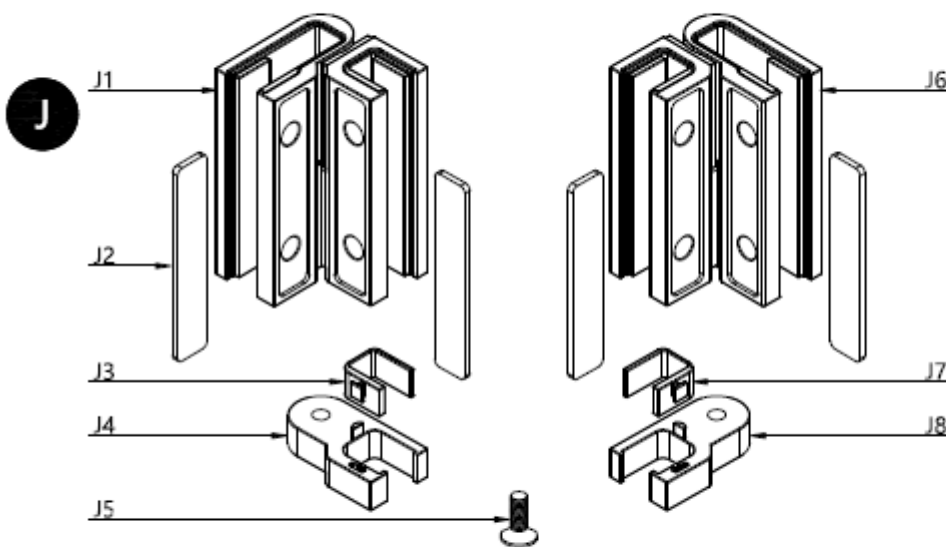
Protective Finish
Easy to clean








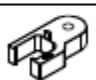



Lifetime Guarantee
Peace of mind

GRDEFHINGEF—GRDEFHINGEMB—GRDEFHINGEPSS—GRDEFHINGEV

Deflector Hinge 180°



- J 1**  Deflector hinge L x1
- J 2**  Screw cover x4
- J 3**  Hinge seat cover L x1
- J 4**  Hinge seat L x1
- J 5**  5x12mm screw x1
- J 6**  Deflector hinge R x1
- J 7**  Hinge seat cover R x1
- J 8**  Hinge seat R x1
- J 9**  Allen Key
4mm 3mm x1



Toughened Glass
Strong and safe



Protective Finish
Easy to clean



Lifetime Guarantee
Peace of mind



Brushed Brass



Polished Stainless



Brushed Stainless



Matt Black

GALLERY 10

Fixed Walk In Panels

Bracing Bar Options



Glass to Wall Bracing Bar

1200mm long. Can support panels up to 1400mm.



Glass to Ceiling Bracing Bar

600mm long. Can support panels up to 1000mm.



T Bracing Bar

1200 x 1200mm. Can support panels up to 1000mm.



Toughened Glass
Strong and safe



Protective Finish
Easy to clean



Lifetime Guarantee
Peace of mind



Brushed Brass



Polished Stainless



Brushed Stainless

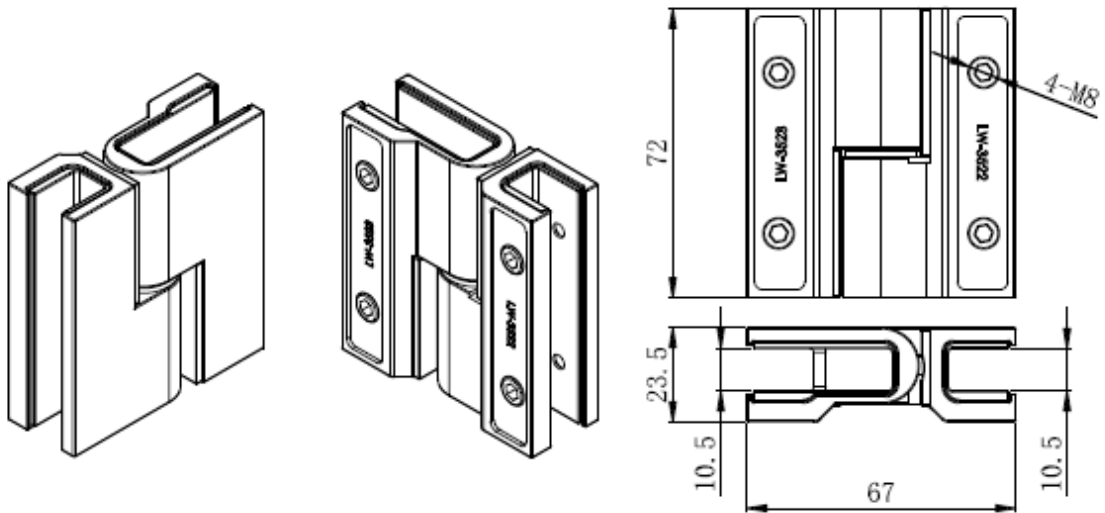


Matt Black

TECHNICAL DIMENSIONS

Dimensions in mm unless otherwise specified.

Tolerances (per material type) apply.



SPARES LIST

Only the parts labelled are available as spares.

SPARES AVAILABLE UPON REQUEST