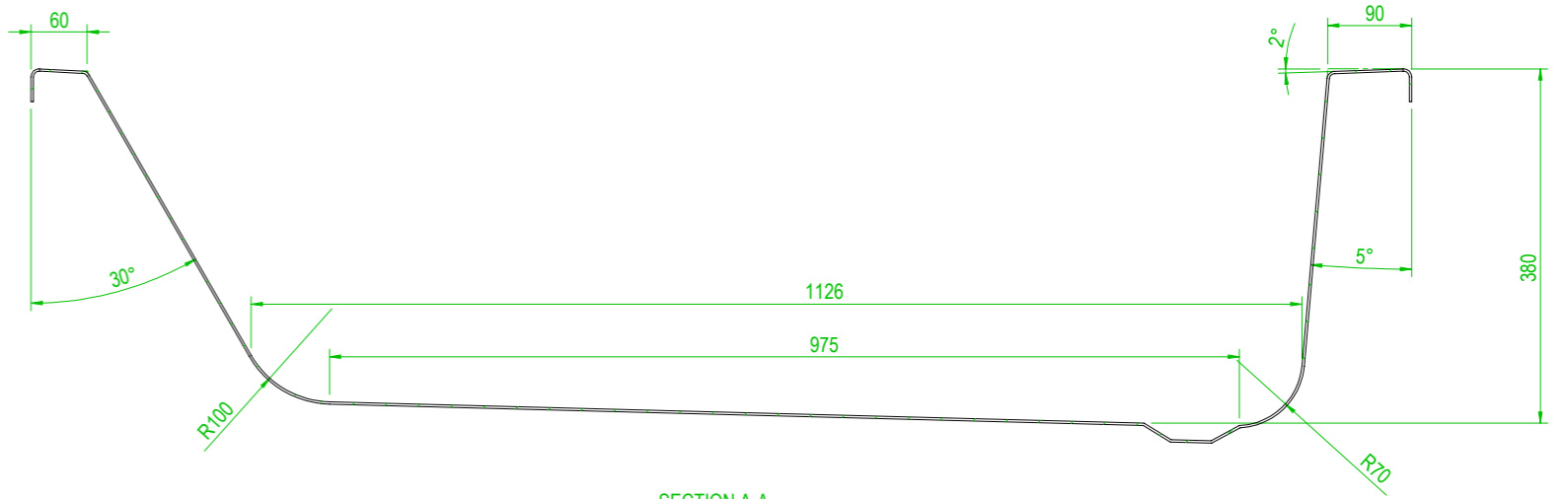
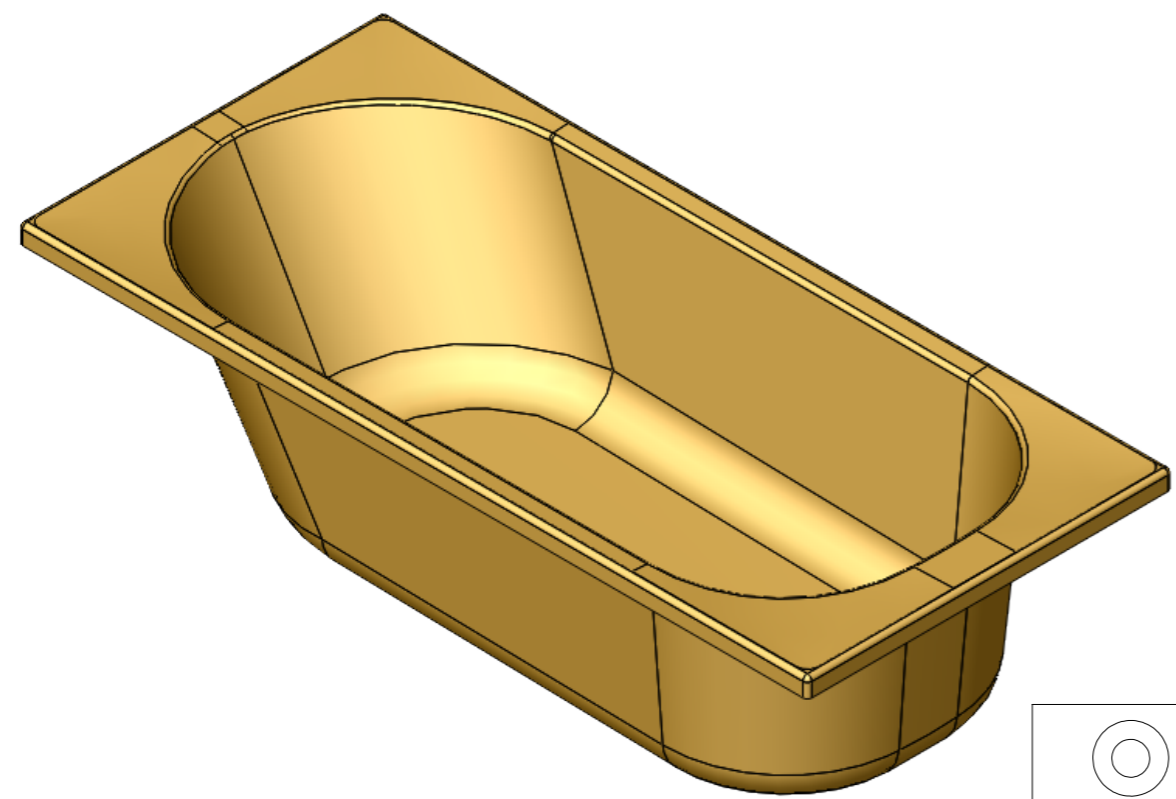
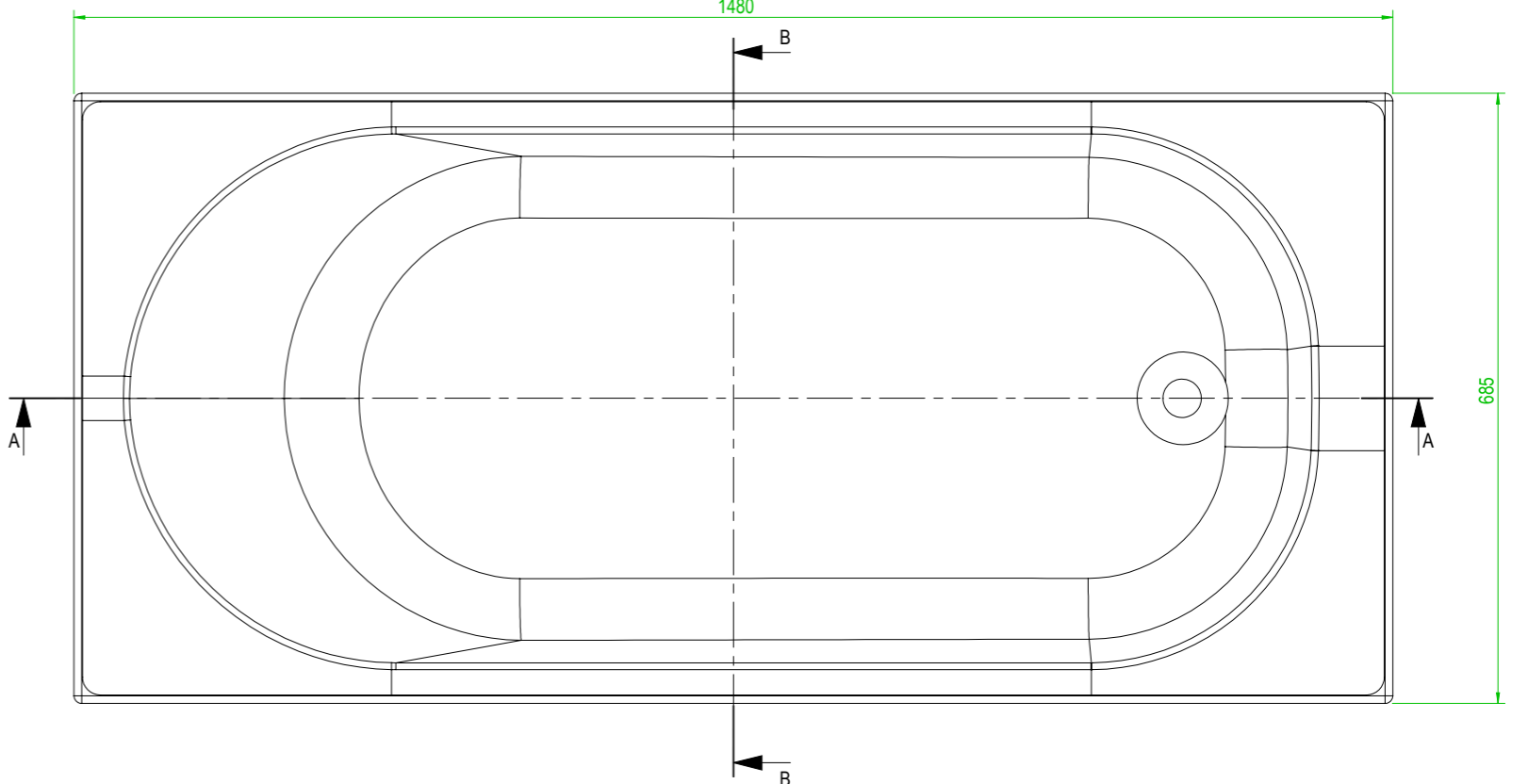


SECTION B-B



SECTION A-A

		NAME	DATE	CONTRACT:	FUNCTION:	HOURS:	CUSTOMER:	MACHINE TYPE:	MACHINE SIZE:	
		DRAWN	J Bell	10/4/18				Armour		
DO NOT SCALE IF IN DOUBT ASK		APPV'D		ALL DIMENSIONS ARE IN MILLIMETRES TOLERANCES ON CASTINGS, UNMACHINED PARTS AND FABRICATIONS:- DIMENSIONS 0-1000: ± 1.0 DIMENSIONS 1000+: ± 2.0			MATERIAL:	TITLE: Felix 1680 x 685 SE		
THIS DRAWING IS THE PROPERTY OF ARMOUR PLASTICS LTD. COPYRIGHT IS RESERVED BY THEM AND THE DRAWING IS ISSUED ON THE CONDITION THAT IT MUST NOT BE COPIED, REPRODUCED, RETAINED OR DISCLOSED TO UNAUTHORISED PERSONS, EITHER WHOLLY OR IN PART WITHOUT THE CONSENT IN WRITING OF ARMOUR PLASTICS LTD.		ARMOUR ENGINEERING 1 ALSTON ROAD PATTINSON NORTH INDUSTRIAL ESTATE WASHINGTON TYNE & WEAR NE38 8QH www.armour-engineering.com		TOLERANCES ON MACHINED DIMENSIONS:- WHOLE UNITS ± 0.5 ONE DEC PLACE ± 0.1 TWO DEC PLACE ± 0.03 ANGLES ± 0.25			WEIGHT:	SCALE: 1:8		
				DEBUR AND BREAK SHARP EDGES			FINISH:	DRAWING NUMBER:	REV:	