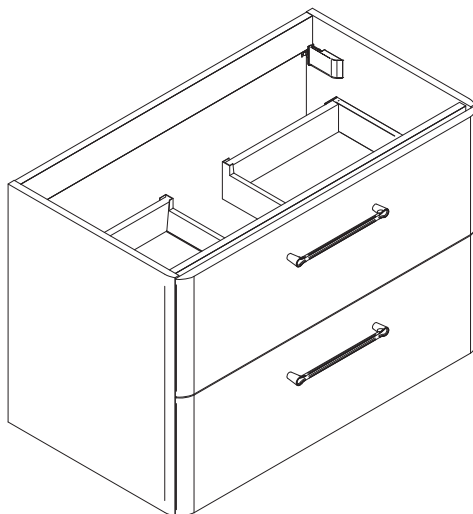


BRITTON®

CAMBERWELL



C60Dxx	30kgs
C80Dxx	35kgs
C100Dxx	40kgs

Please read these instructions carefully before starting installation and keep in a safe place for future reference. ENSURE the room is well heated and ventilated.

Check the contents of the pack carefully before installation. Bathroom Brands will not be held responsible for any de-fit / re-fit costs where faulty product has been fitted.

If any fault is found with materials or workmanship, it must be reported immediately to the manufacturer. Remedial action will be taken, based on information received, on condition that: 1. Full details are supplied to the manufacturer. 2. The product has not been modified or tampered with; 3. The manufacturer is informed of any damage/shortages prior to installation. 4. The product has not been installed, or attempts have been made to install.

We do not accept responsibility for any problems that may occur through incorrect installation.

Advice & Safety

This product should only be installed by a suitably qualified Plumber/installer. Should the installation be completed by a non-qualified person any product guarantee may be considered invalid. For a claim made under our warranty written certification of your installers qualifications can be required.

It is advised that all doors and drawers are removed prior to fitting to avoid unnecessary damage occurring. It is recommended that the furniture and accessories are installed after tiling, ensuring that the product is installed flat to the tile face and allows product to be easily removed if required in the future.

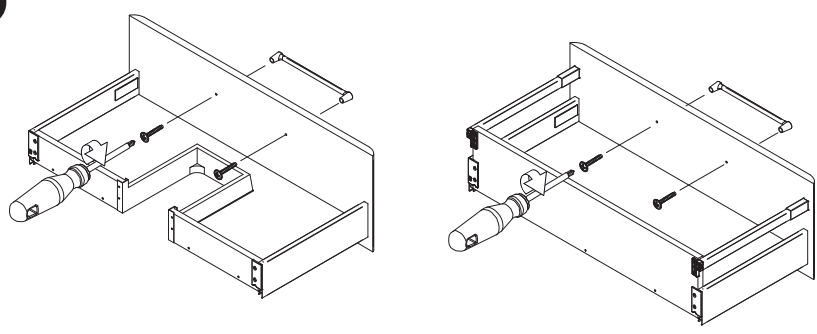
This document has been prepared for your guidance, you must exercise due care at all times.

Please note that some units are heavy. Always take care when lifting, and follow health and safety guidelines. It is recommended that 2 people carry out the installation of larger basin/vanity units over 30Kgs gross weight.

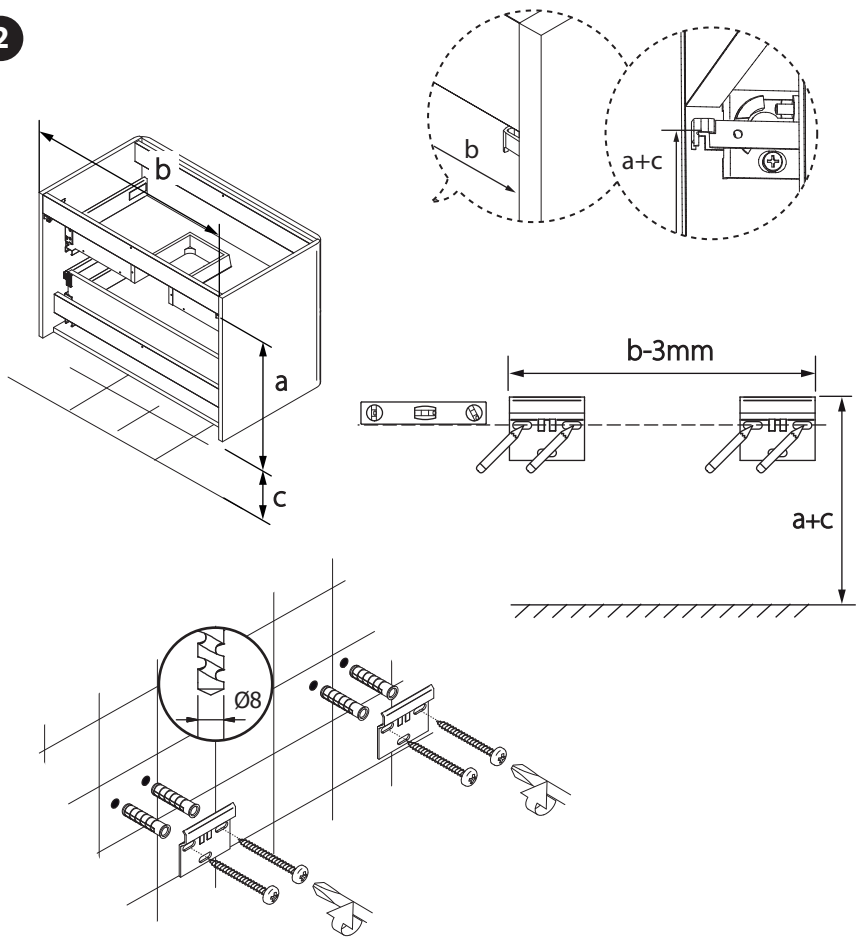
Warning! Please check for any hidden pipes or electrical cables before drilling holes in the floor or walls. When using power tools always follow the manufacturer's user instructions.

This installation guide details fitting to a solid wall. If your bathroom has studded/plasterboard walls, please use appropriate plasterboard fixings. Please ensure the wall can take weight of units detailed above. Before installing a wooden bathroom unit into a new property, extension or recently plastered room we strongly advise the building/room is completely dry, well ventilated and adequately heated.

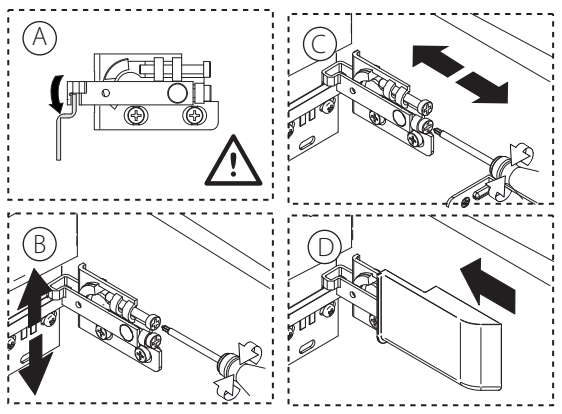
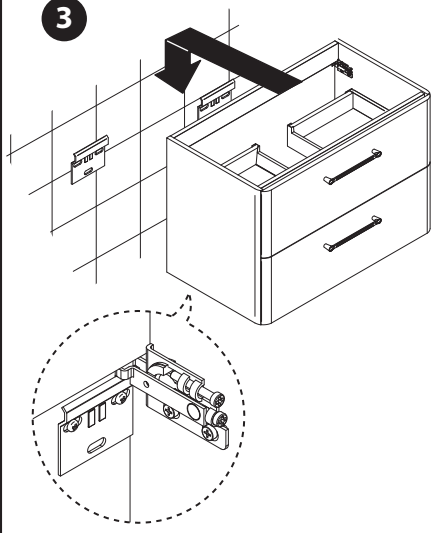
1



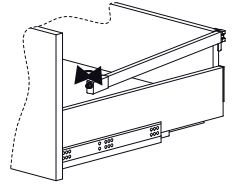
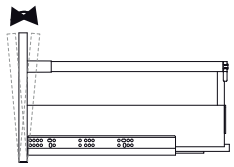
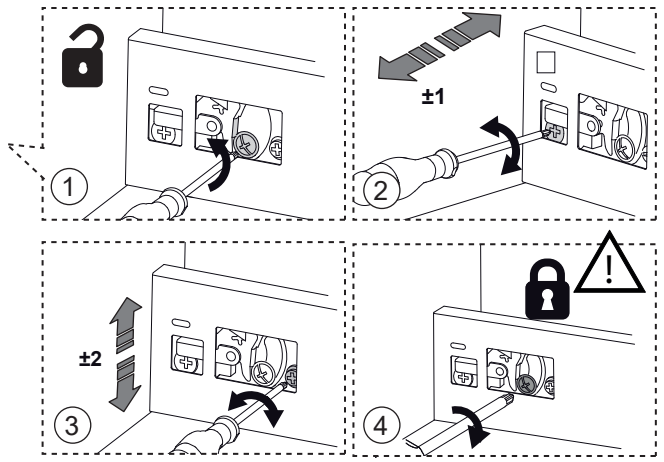
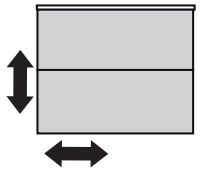
2



3



4



Care & maintenance

Over a short period of time in use, your worktops will develop a smoother and more lustrous appearance. In the first days after installation the dry finish of the surface may show finger marks more readily than it will do when it has achieved this 'patina'. Regular cleaning with warm soapy water accelerate this.

Regular care: Clean with warm soapy water or Fairy Power Spray to remove any greasy residues. A mild abrasive cream cleaner such as Cif cream is also a good part of your regular maintenance regime. A microfibre cloth is the best type to use.

Basic stains: Clean with a mild detergent and a damp sponge or cloth and then rinse with clean water and wipe dry with a microfibre cloth to prevent spotting. To enhance the visual colour clarity of the surface, apply a commercially available non-abrasive cleaner formulated specifically for solid surfaces such as Eagle solid surface cleaner and wipe away excess, buffing dry with a microfibre cloth.

Stubborn stains and minor scratches:

This is a standard low or no sheen finish recommended for all high use areas. Scrub in a small circular motion with a wet sponge and an mild abrasive cleaner such as Cif. Scrubbing too aggressively may effect the surface texture. Rinse with clean water and wipe dry with a microfibre cloth. To enhance the visual colour clarity and hide minor scuffs, apply a solid surface cleaner such as Eagle and wipe away excess, buffing dry with a microfibre cloth.

Limescale: Limescale deposits can be removed using a 50:50 solution of warm water and lime scale remover and soft clean microfibre cloth.

Chemicals: Avoid exposing your solid surface to strong chemicals such as paint removers, acetone, drain and toilet cleaning products. Surfaces that have accidentally been exposed to these chemicals should be flushed promptly with water, using appropriate safety measures to avoid injury. Remove hair dye immediately with a small amount of white pirit, then Scrub in a small circular motion with a wet sponge and an mild abrasive cleaner such as Cif.

