

PRODUCT DATA SHEET



PRODUCT CODE

CT4084UCBZ

RANGE

Counter

DESCRIPTION

Circus Counter Basin 400 Ø No Overflow Bronze Effect

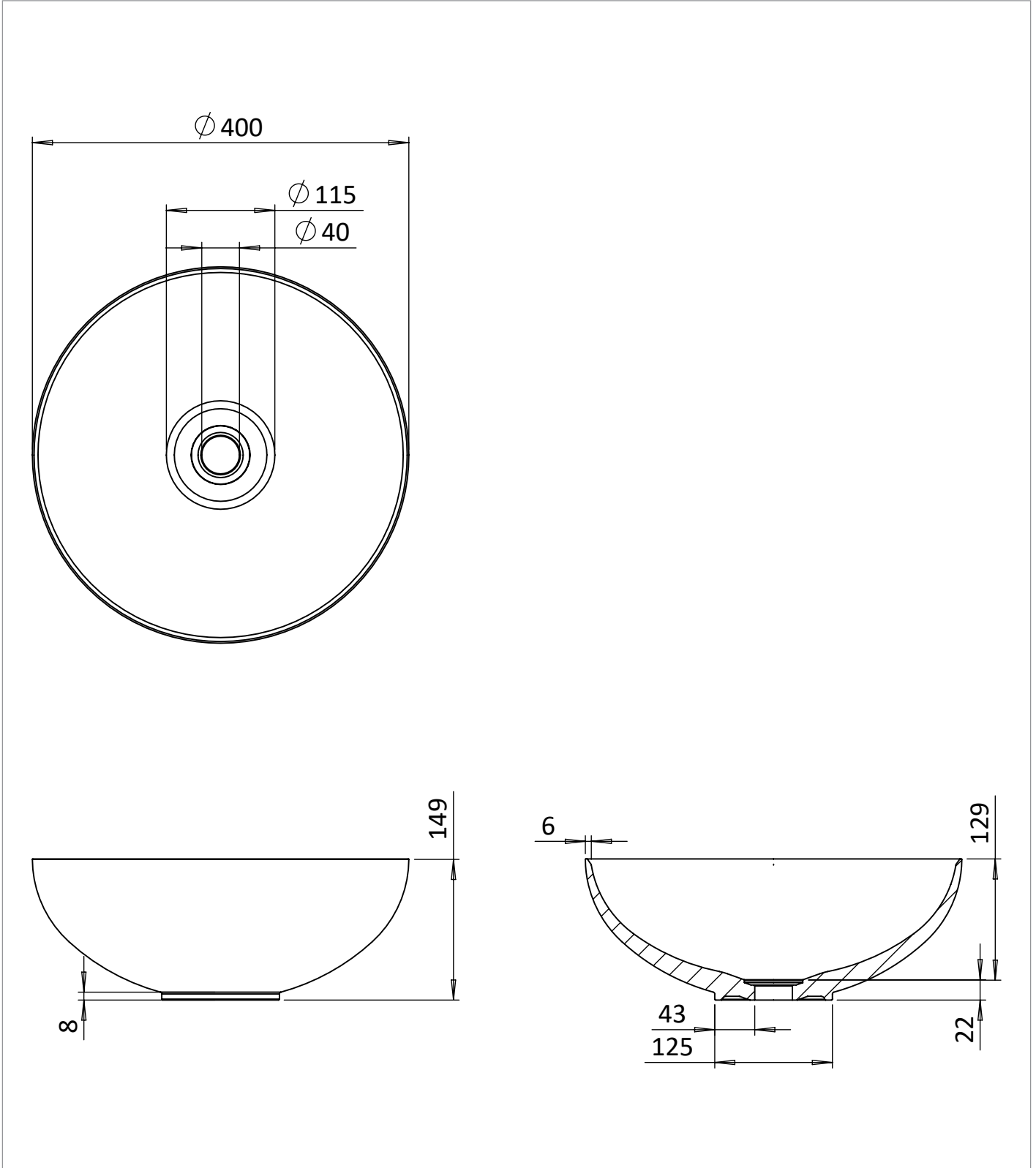
CATEGORY	Sanitaryware
WARRANTY DETAILS	10 Years
COLOUR	Bronze
FINISH APPLICATION	Lacquered
PRIMARY MATERIAL	Vitreous China
PRODUCT WIDTH MM	400
PRODUCT HEIGHT MM	150
PRODUCT LENGTH MM	400
PRODUCT DEPTH MM	140
PRODUCT NET WEIGHT KG	5.2
STANDARDS	EN-14688

TAP HOLES	No
FIXINGS INCLUDED	No
OVERFLOW	No
BASIN WASTE SIZE	45

TECHNICAL DIMENSIONS

Dimensions in mm unless otherwise specified.

Tolerances (per material type) apply.



SPARES LIST

Only the parts labelled are available as spares.

NO SPARES AVAILABLE