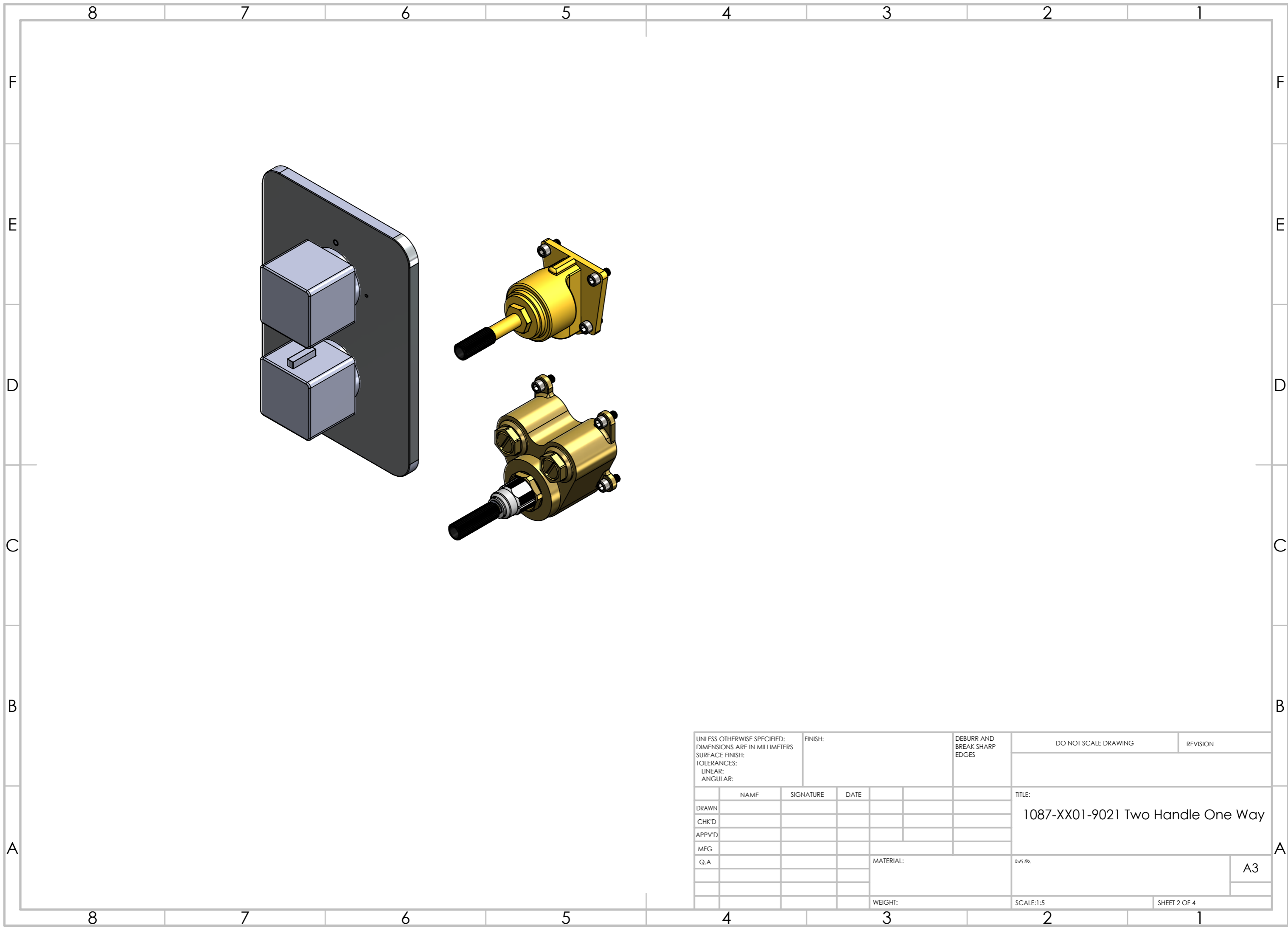
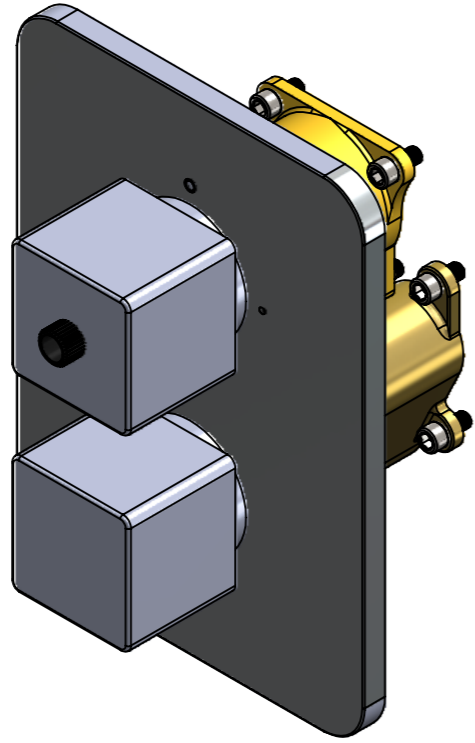
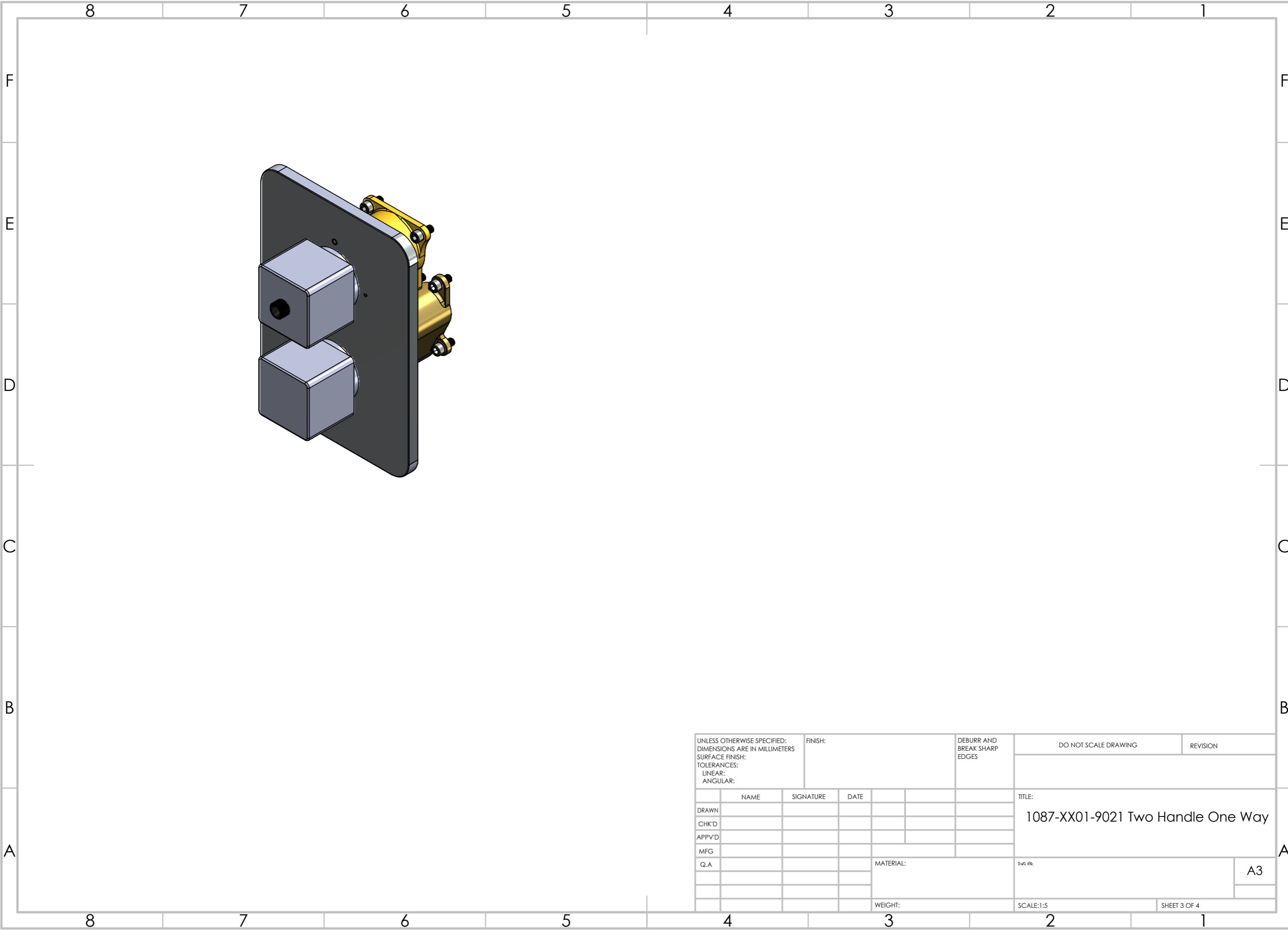


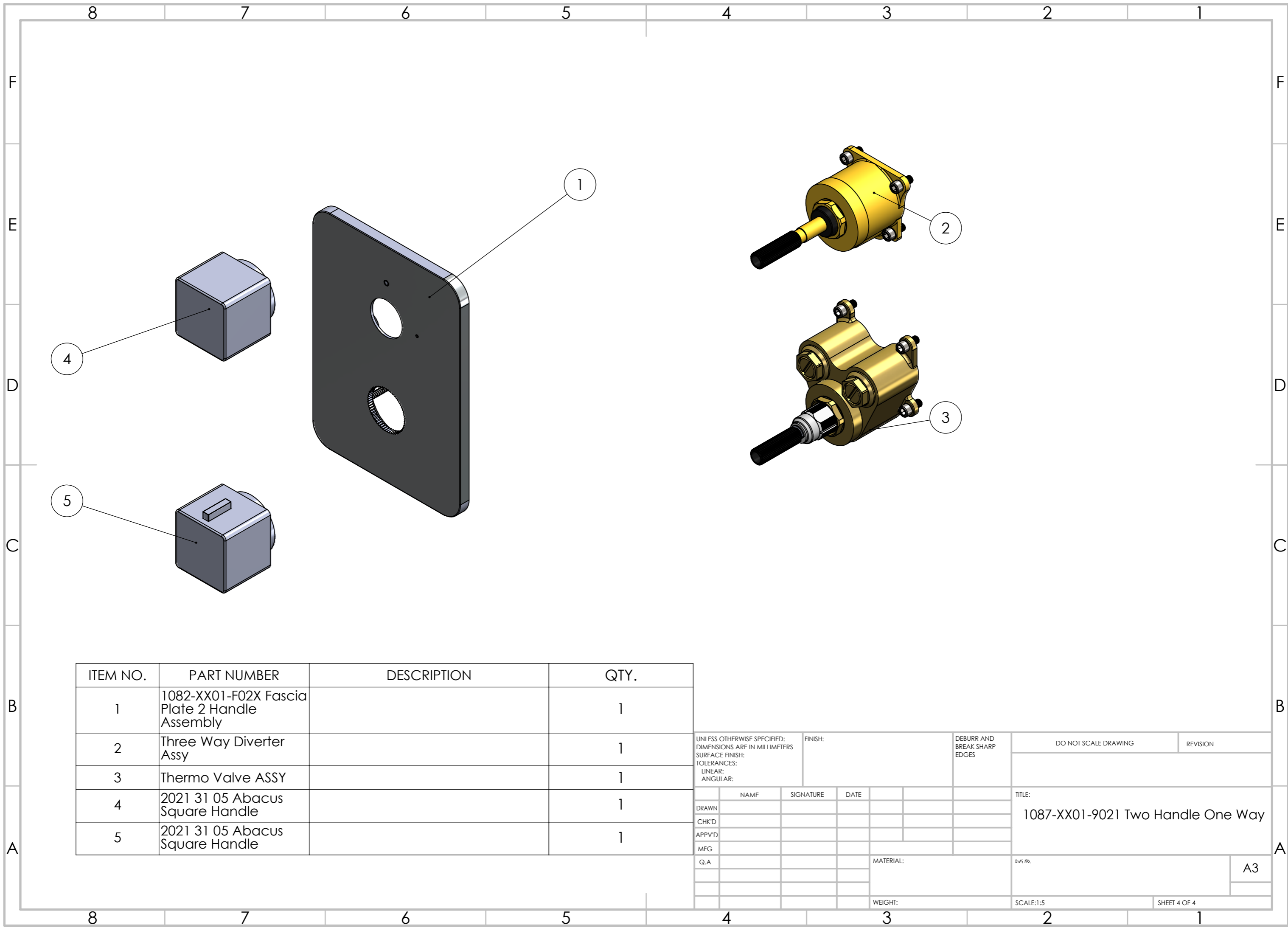
UNLESS OTHERWISE SPECIFIED: DIMENSIONS ARE IN MILLIMETERS SURFACE FINISH: TOLERANCES: LINEAR: ANGULAR:		FINISH:		DEBURR AND BREAK SHARP EDGES		DO NOT SCALE DRAWING		REVISION	
DRAWN		NAME		SIGNATURE		DATE		TITLE:	
CHK'D								1087-XX01-9021 Two Handle One Way	
APPV'D								Dwg No.	
MFG								A3	
Q.A						MATERIAL:		SCALE:1:5	
						WEIGHT:		SHEET 1 OF 4	



UNLESS OTHERWISE SPECIFIED: DIMENSIONS ARE IN MILLIMETERS SURFACE FINISH: TOLERANCES: LINEAR: ANGULAR:				FINISH:		DEBURR AND BREAK SHARP EDGES		DO NOT SCALE DRAWING		REVISION	
								TITLE: 1087-XX01-9021 Two Handle One Way			
DRAWN				NAME		SIGNATURE		DATE		MATERIAL:	
CHK'D										Dwg No.	
APPV'D										A3	
MFG										SCALE:1:5	
Q.A										SHEET 2 OF 4	
										WEIGHT:	



UNLESS OTHERWISE SPECIFIED: DIMENSIONS ARE IN MILLIMETERS SURFACE FINISH: TOLERANCES: LINEAR: ANGULAR:				FINISH:		DEBURR AND BREAK SHARP EDGES		DO NOT SCALE DRAWING		REVISION	
										TITLE:	
DRAWN				NAME		SIGNATURE		DATE		1087-XX01-9021 Two Handle One Way	
CHK'D											
APPV'D											
MFG											
Q.A								MATERIAL:		Dwg No.	
										A3	
								WEIGHT:		SCALE:1:5	
										SHEET 3 OF 4	



ITEM NO.	PART NUMBER	DESCRIPTION	QTY.
1	1082-XX01-F02X Fascia Plate 2 Handle Assembly		1
2	Three Way Diverter Assy		1
3	Thermo Valve ASSY		1
4	2021 31 05 Abacus Square Handle		1
5	2021 31 05 Abacus Square Handle		1

UNLESS OTHERWISE SPECIFIED: DIMENSIONS ARE IN MILLIMETERS SURFACE FINISH: TOLERANCES: LINEAR: ANGULAR:		FINISH:	DEBURR AND BREAK SHARP EDGES	DO NOT SCALE DRAWING	REVISION
DRAWN	NAME	SIGNATURE	DATE	TITLE: 1087-XX01-9021 Two Handle One Way	
CHK'D					
APPV'D					
MFG					
Q.A			MATERIAL:	Dwg No.	A3
			WEIGHT:	SCALE:1:5	SHEET 4 OF 4