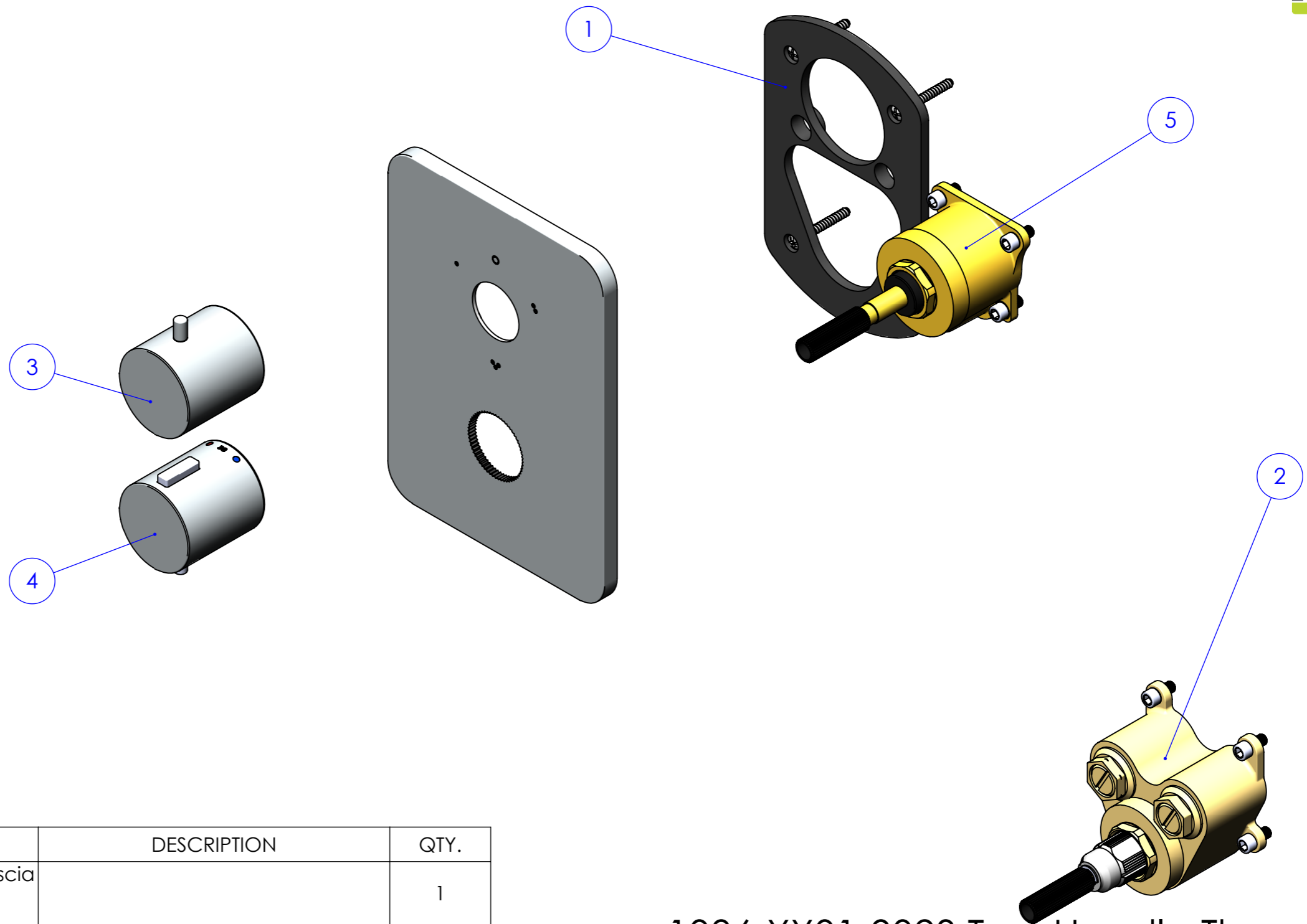


1086-0201-9033	EZ Box 3.0 Three Round Handle Three Outlet 2nd Fix Parts Complete Chrome
1086-0701-9033	EZ Box 3.0 Three Round Handle Three Outlet 2nd Fix Parts Complete Brushed Nickel
1086-2001-9033	EZ Box 3.0 Three Round Handle Three Outlet 2nd Fix Parts Complete Matt Black
1086-2801-9033	EZ Box 3.0 Three Round Handle Three Outlet 2nd Fix Parts Complete Brushed Bronze
1086-8601-9033	EZ Box 2.0 Three Round Handle Three Outlet 2nd Fix Parts Complete Anthracite

1086-XX01-9023 Two Handle Three Way

UNLESS OTHERWISE SPECIFIED: DIMENSIONS ARE IN MILLIMETERS		FINISH:		DEBURR AND BREAK SHARP EDGES		DO NOT SCALE DRAWING		REVISION	
SURFACE FINISH:									
TOLERANCES:									
LINEAR:									
ANGULAR:									
DRAWN		NAME	SIGNATURE	DATE			TITLE:		
CHK'D									
APPV'D									
MFG									
Q.A					MATERIAL:	DWG NO.		A3	
					WEIGHT:	SCALE:1:2		SHEET 1 OF 2	



1086-XX01-9023 Two Handle Three Way

ITEM NO.	PART NUMBER	DESCRIPTION	QTY.
1	1082-XX01-F02X Fascia Plate 2 Handle Assembly		1
2	Thermo Valve ASSY		1
3	1086-XX01-D001		1
4	Round Thermo Handle		1
5	Three Way Diverter Assy		1

UNLESS OTHERWISE SPECIFIED: DIMENSIONS ARE IN MILLIMETERS SURFACE FINISH: TOLERANCES: LINEAR: ANGULAR:			FINISH:		DEBURR AND BREAK SHARP EDGES		DO NOT SCALE DRAWING		REVISION		
DRAWN			NAME		SIGNATURE		DATE		TITLE:		
CHK'D											
APPV'D											
MFG											
Q.A							MATERIAL:		DWG NO.		
							WEIGHT:		SCALE:1:2		
									SHEET 2 OF 2		
									A3		