

# Technical Data Sheet

# ROPER RHODES®

## Sign Basin Mixer - T171102

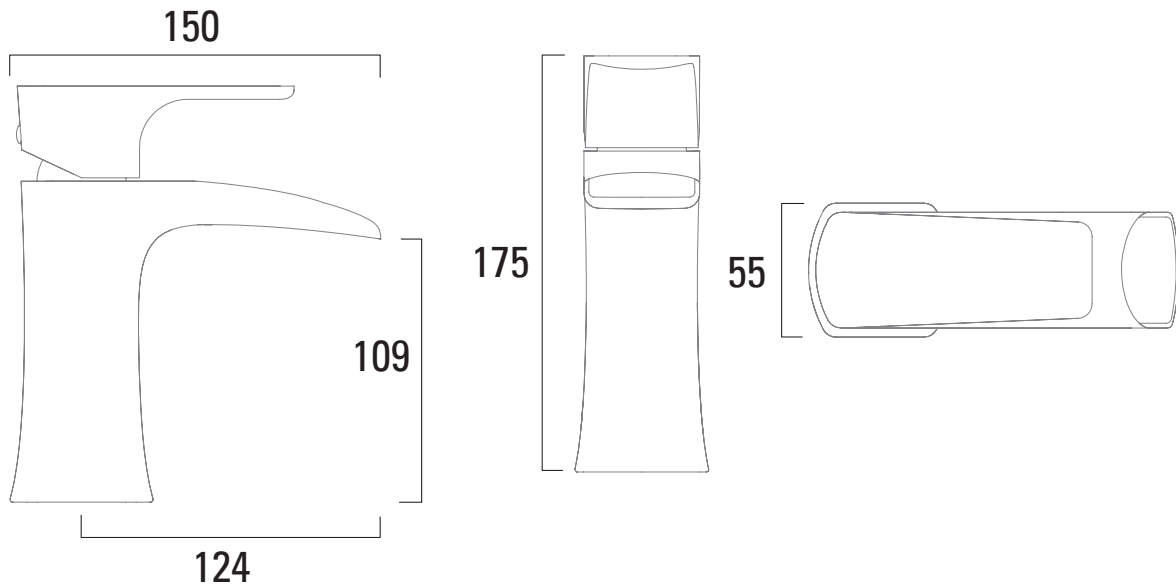
No.	Description	Code	Fixings Included
1	Sign Basin Mixer	T171102	YES



Min Pressure:	0.3bar
0.2bar	2.7 litres / min
0.3bar	3.3 litres / min
0.4bar	3.8 litres / min
0.5bar	4.2 litres / min
1bar	5.8 litres / min
2bar	6.1 litres / min

## Dimensions - T171102

Diagrams not to scale. All dimensions in mm (tolerance of +/-5mm)



\*Dimensions are subject to change, customers are advised to measure actual product before commencing installation.

## FAQs

**What is the size of the tap tail connection?** The tap tails have a standard 1/2" BSP fixing.

**What bore is the tap tail?** The tails have a 10mm internal bore.

**What length are the tap tails?** The tails are 300mm in length.

**Does the tap come fitted with an aerator?** Yes, the aerator comes pre-installed but can be replaced.

# Technical Data Sheet

## Sign Mini Basin Mixer - T176102

# ROPER RHODES®

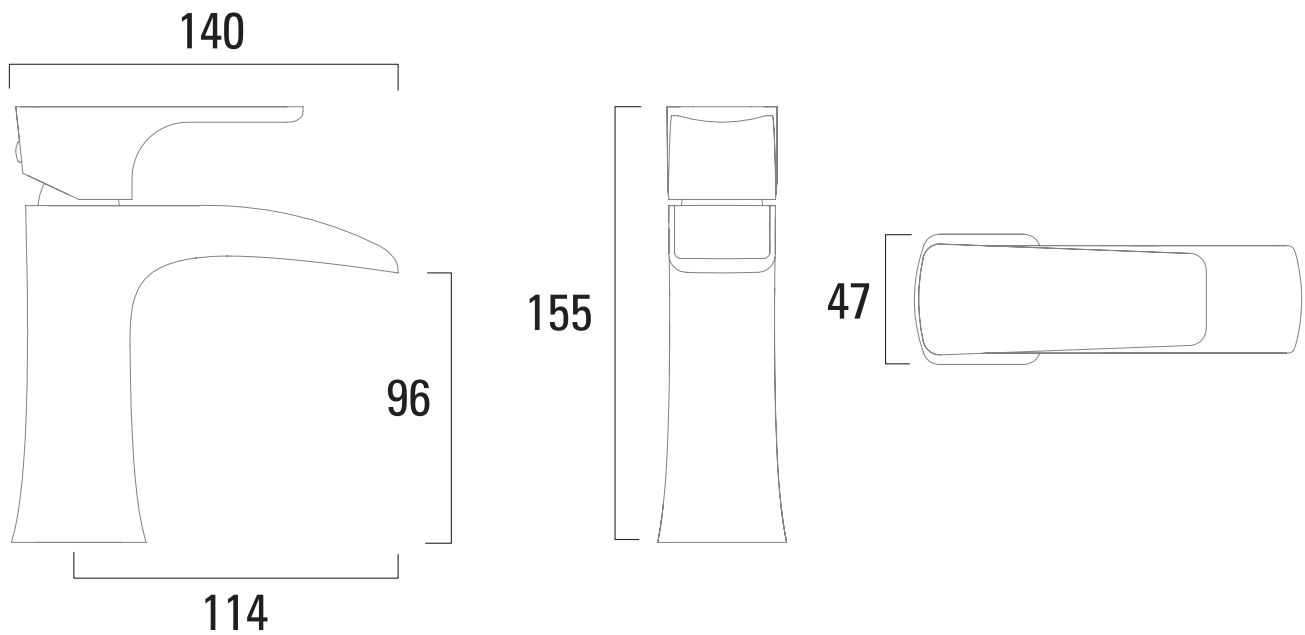
No.	Description	Code	Fixings Included
1	Sign Mini Basin Mixer	T176102	YES



Min Pressure:	0.3bar
0.2bar	2.2 litres / min
0.3bar	2.7 litres / min
0.4bar	3 litres / min
0.5bar	3.3 litres / min
1bar	4.5 litres / min
2bar	6 litres / min

## Dimensions - T176102

Diagrams not to scale. All dimensions in mm (tolerance of +/-5mm)



\*Dimensions are subject to change, customers are advised to measure actual product before commencing installation.

## FAQs

**What is the size of the tap tail connection?** The tap tails have a standard 1/2" BSP fixing.

**What bore is the tap tail?** The tails have a 10mm internal bore.

**What length are the tap tails?** The tails are 300mm in length.

**Does the tap come fitted with an aerator?** Yes, the aerator comes pre-installed but can be replaced.

# Technical Data Sheet

## Sign Tall Basin Mixer - T175002

# ROPER RHODES®

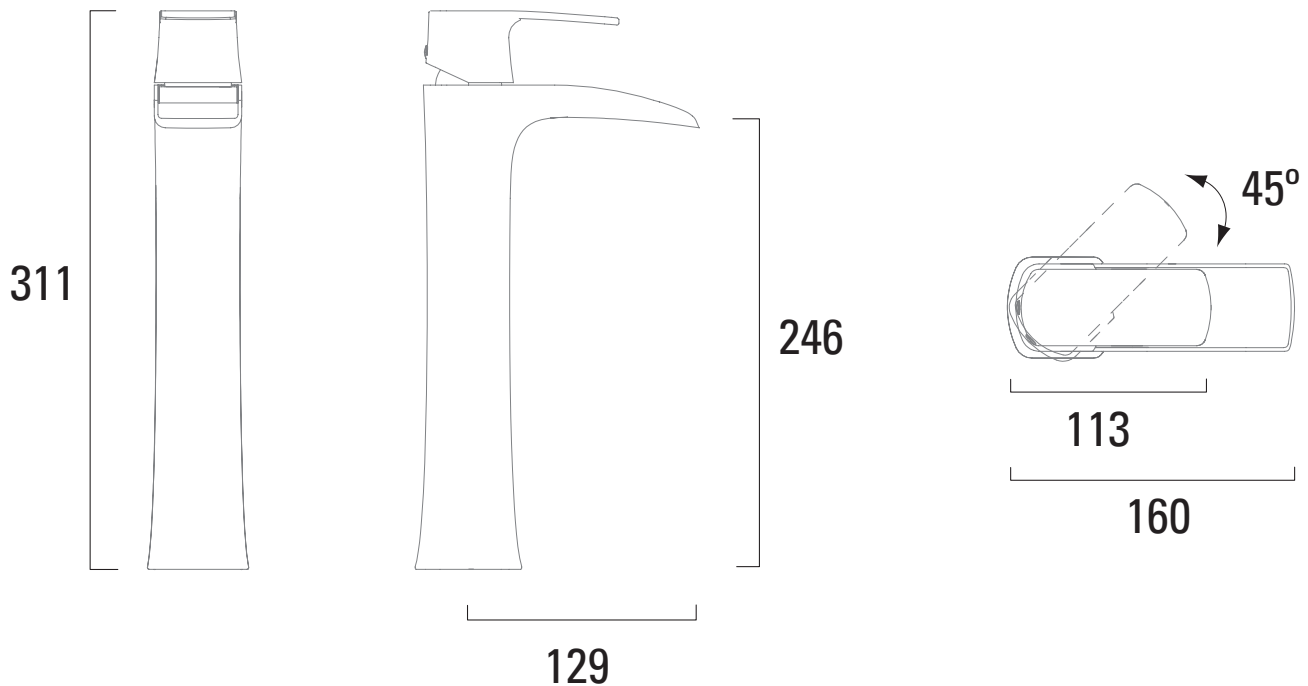
No.	Description	Code	Fixings Included
1	Sign Tall Basin Mixer	T175002	YES



Min Pressure:	0.3bar
0.2bar	2.8 litres / min
0.3bar	3.5 litres / min
0.4bar	3.9 litres / min
0.5bar	4.2 litres / min
1bar	5.8 litres / min
2bar	6.1 litres / min

### Dimensions - T175002

Diagrams not to scale. All dimensions in mm (tolerance of +/-5mm)



\*Dimensions are subject to change, customers are advised to measure actual product before commencing installation.

### FAQs

**What is the size of the tap tail connection?** The tap tails have a standard 1/2" BSP fixing.

**What bore is the tap tail?** The tails have a 10mm internal bore.

**What length are the tap tails?** The tails are 300mm in length.

**Does the tap come fitted with an aerator?** Yes, the aerator comes pre-installed but can be replaced.

# Technical Data Sheet

# ROPER RHODES®

Sign Bath Filler - T173202

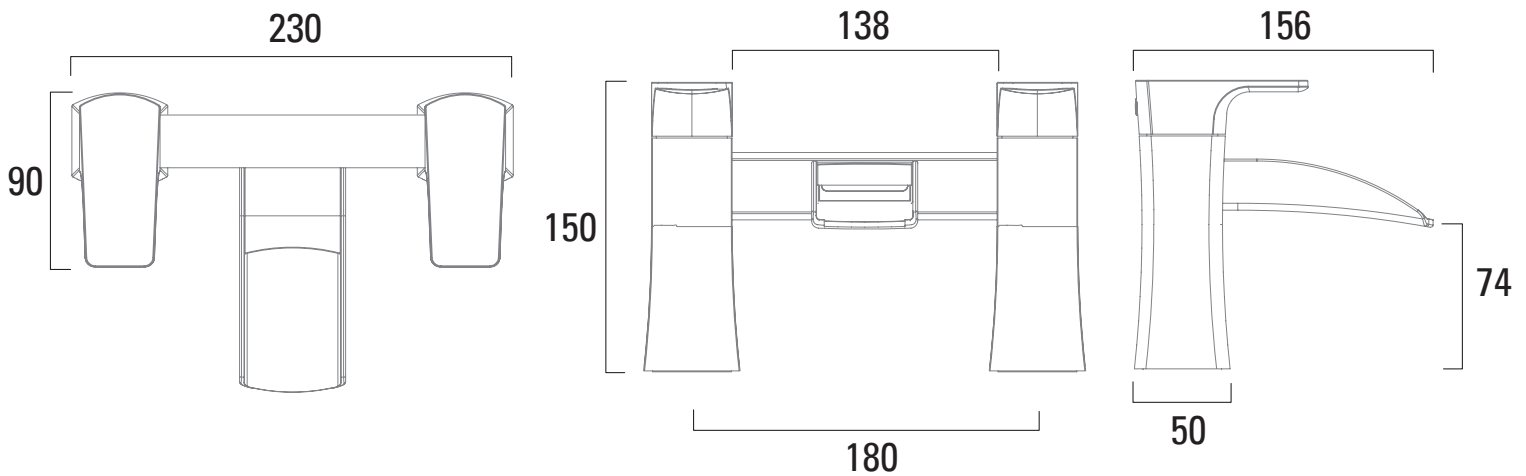
No.	Description	Code	Fixings Included
1	Sign Bath Filler	T173202	YES



Min Pressure:	0.3bar
0.2bar	13.5 litres / min
0.3bar	14.2 litres / min
0.4bar	16.1 litres / min
0.5bar	18.5 litres / min
1bar	26.8 litres / min
2bar	37.2 litres / min

## Dimensions - T173202

Diagrams not to scale. All dimensions in mm (tolerance of +/-5mm)



\*Dimensions are subject to change, customers are advised to measure actual product before commencing installation.

## FAQs

**Does the tap come fitted with an aerator?** Yes, the aerator comes pre-installed but can be replaced.

**What size plumbing fittings are needed for the threaded legs?** This product will work with standard 3/4" plumbing fittings.

# Technical Data Sheet

# ROPER RHODES®

## Sign Bath Shower Mixer - T174202

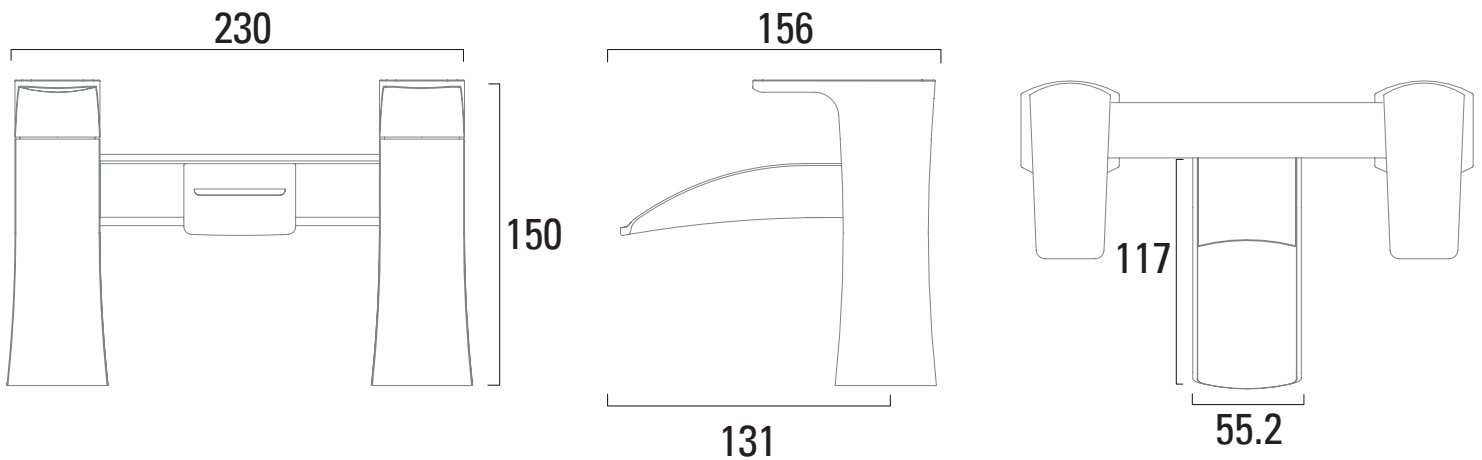
No.	Description	Code	Fixings Included
1	Sign Bath Shower Mixer	T174202	YES



Min Pressure:	0.3bar
0.2bar	10.8 litres / min
0.3bar	12 litres / min
0.4bar	13.1 litres / min
0.5bar	14.2 litres / min
1bar	20.3 litres / min
2bar	30 litres / min

### Dimensions - T174202

Diagrams not to scale. All dimensions in mm (tolerance of +/-5mm)



\*Dimensions are subject to change, customers are advised to measure actual product before commencing installation.

### FAQs

**Does the tap come fitted with an aerator?** Yes, the aerator comes pre-installed but can be replaced.

**What size plumbing fittings are needed for the threaded legs?** This product will work with standard 3/4" plumbing fittings.

**What size are the connections for the shower hose?** The threaded connections on the shower hose are a standard 1/2" BSP connection.