

Technical Data Sheet

ROPER RHODES®

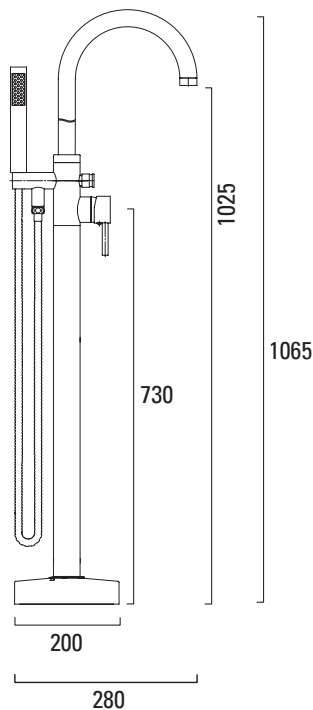
Storm Free Standing Bath Shower Mixer - T221902

No.	Description	Code	Fixings Included
1	Storm Free Standing Bath Shower Mixer	T221902	YES



Min Pressure:	1bar
1bar	14.2 litres / min
2bar	16 litres / min

Dimensions - T221902



Diagrams not to scale. All dimensions in mm (tolerance of +/-5mm)

FAQ	Answer
Overall tap height	1065mm
Overall tap width	180mm
Height of spout exit	1025mm
Spout projection from body centre	228mm
Handle projection from body centre	60mm
Handle center height	730mm
Footprint size/Base Plate Diameter	200mm
Does spout rotate	Yes
Tap tails protrusion below base plate	165mm

*Dimensions are subject to change, customers are advised to measure actual product before commencing installation.

FAQs

What is the size of the tap tail connection? The tap tails have a standard 1/2" BSP fixing.

What bore is the tap tail? The tails have a 10mm internal bore.

What length are the tap tails? The tails are 900mm in length.

Does the tap come fitted with an aerator? Yes, the aerator comes pre-installed but can be replaced.