



Specification	
Product Type:	Bathroom Tap
Main Construction Material:	Brass
Mount Type:	Deck Mounted
Handle Type:	Lever Handles
Connection Inlet:	G 1/2" BSP
Connection Outlet:	Flow Straightener
Number of Tap Holes:	3
Valve/Cartridge Type:	1/4 Turn 1/2" Ceramic Disc Valve
Plumbing System Requirements:	Suitable for all plumbing systems
Minimum Dynamic Pressure (bar):	0.4 bar
Maximum Dynamic Pressure (bar):	5.0 bar
Maximum Hot Water Temperature °C:	60°C
Maximum Static Pressure (bar):	10 bar
Flow Type:	Single Flow
Isolation Included:	No

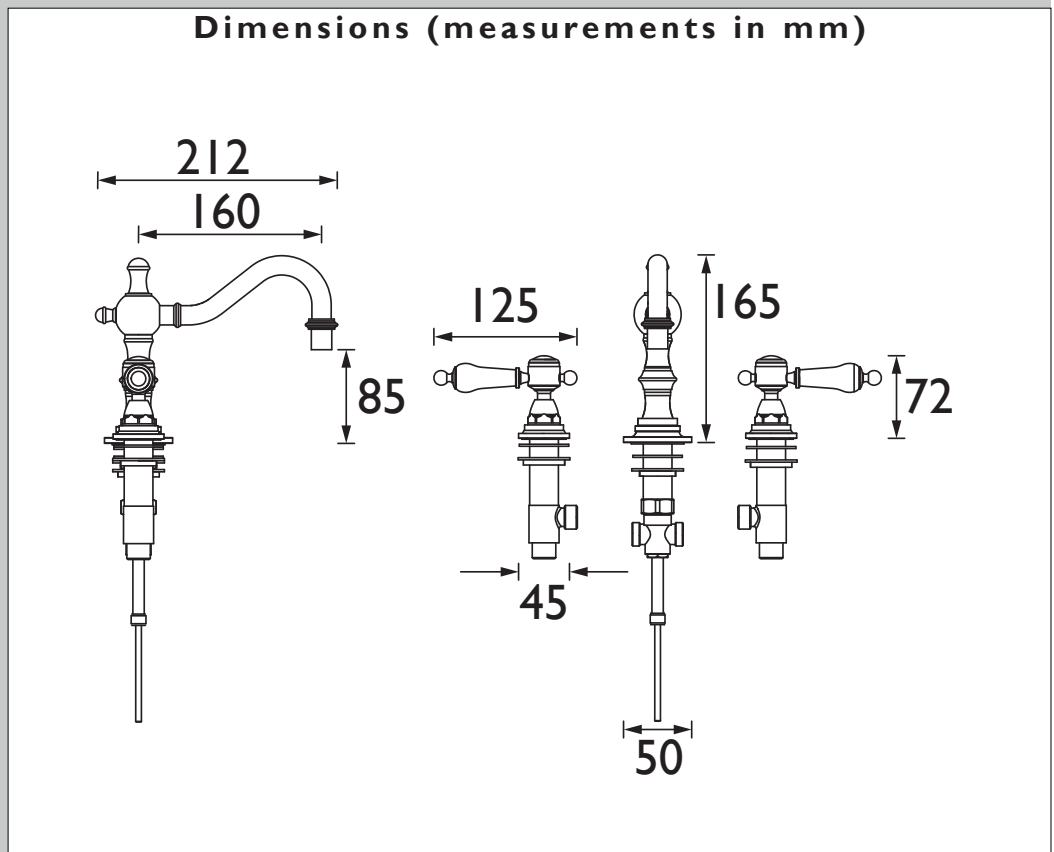
Features:

- Compatible with low pressure water systems, optimised for UK market
- Quarter turn ceramic discs - for smooth operation and added durability
- Spout swivels left to right
- Includes pop up waste
- Available in a selection of finishes

Product Certifications:



Additional Information:



Flow Rates (l/min)						
System Pressure (bar)	0.4	0.5	1	2	3	5
TGRG09 (mixed)	7.2	8.1	11.4	16.2	19.8	25.6