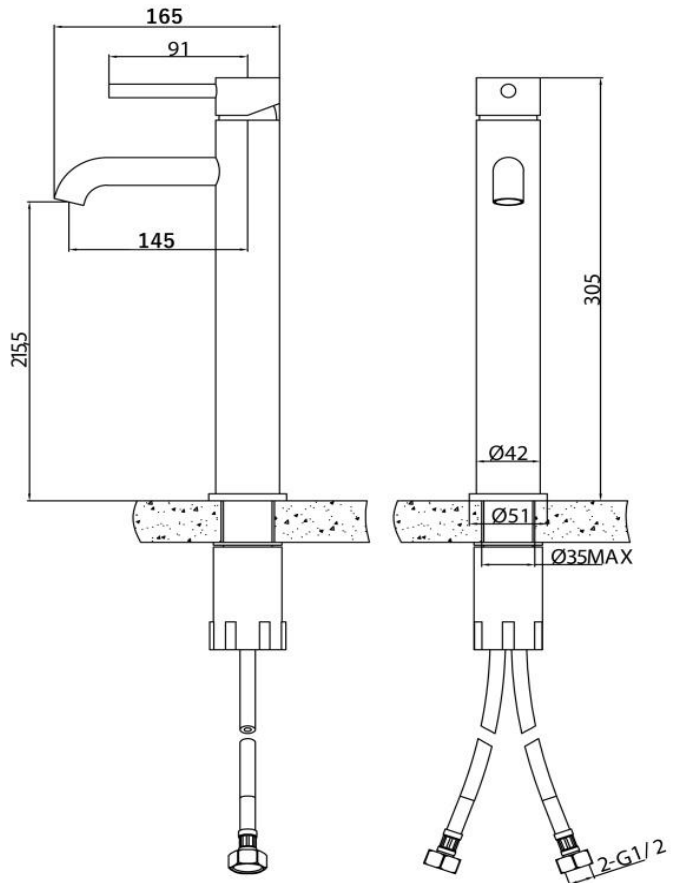


# TECHNICAL DATA SHEET

## ISO Tall Basin Mono Mixer

<b>Product Code</b>	TBTS-34-1402
<b>Construction</b>	Brass Body CuZn40Pb2, EN CW617N (equivalent to BS CZ122)
<b>Finishes</b>	Chrome plated to BS EN 248
<b>Product Type</b>	Contemporary
<b>Water Pressure</b>	Min. 0.2 bar, Max. 6.0 bar
<b>Plumbing Systems</b>	Suitable for all plumbing systems
<b>Standards</b>	Complies with BS5412, BS EN200
<b>Certification</b>	Manufactured to comply with WRAS
<b>Cartridge</b>	35mm Coolstart ceramic disc cartridge
<b>Aerator</b>	Neoperl Adjustable Slim Air
<b>Fitting</b>	M10 x 350mm ½" BSP Female Flexi Tails
<b>Packaging</b>	54 x 36 x 19cm / carton (8 boxes / carton)
<b>Guarantee</b>	15 years against manufacturing faults (excluding serviceable parts).



### Flow Rates (Litres per minute)

System Pressure	0.1 Bar	0.2 Bar	0.3 Bar	0.5 Bar	1.0 Bar	1.5 Bar	2.0 Bar	3.0 Bar	4.0 Bar	5.0 Bar
	3.8	6.8	-	9.1	12.3	-	14.7	17.3	-	-

The information contained on this page was correct at date of issue. Fitting dimensions are provided as a guide only. Some variation may occur due to manufacturing tolerances. We pursue a policy of continuing improvement in design and performance of our products and so reserve the right to change specifications without prior notice.