

Portland

Heated Towel Rail

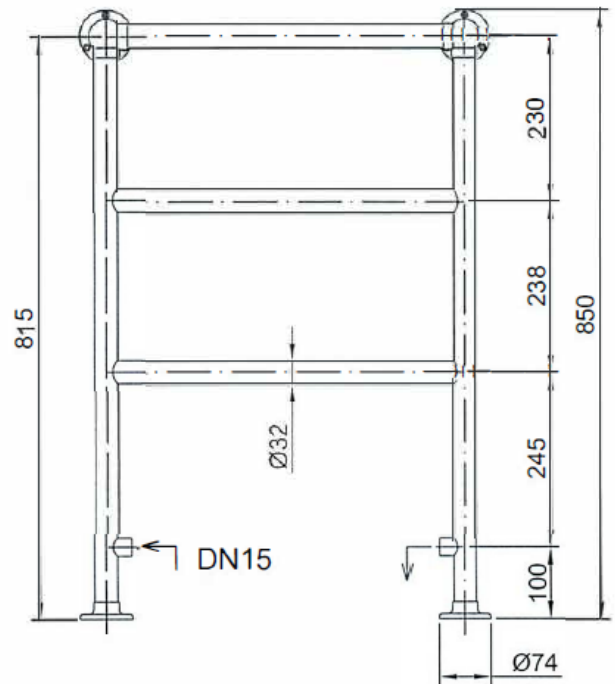
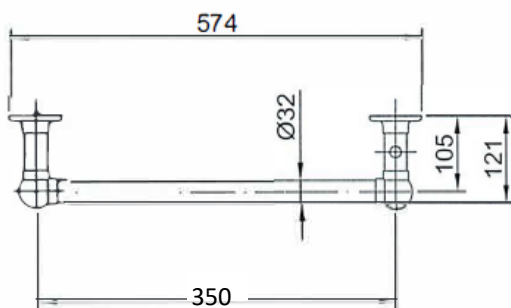
Product Specification

Product Codes & Finishes:	AHC76 (Chrome) AHA76 (Vintage Gold)
Product Type:	Classic
Construction:	Body is of Steel Construction and is designed to conform to BS EN 442
Supply:	Suitable for closed central heating sys
Output:	528 BTU (155 Watts)
Valve Centres:	350mm
Dimensions for Fitting:	850 (H) mm, 574 (W) mm, 121 (D) r



Additional Information

- Chrome Plated to BS EN 248
- Includes Valves in Chrome & Gold finish
- Suitable for Closed Central Heating Systems Only
- 5 Year Guarantee



Technical Advice: For further information please call 0844 701 8503 or email technical@heritagebathrooms.com.

Guarantee: 5 Year Guarantee covering manufacturing faults.