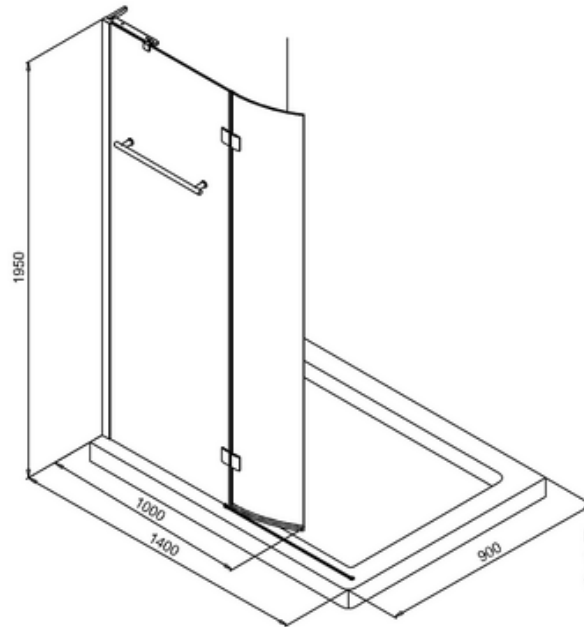
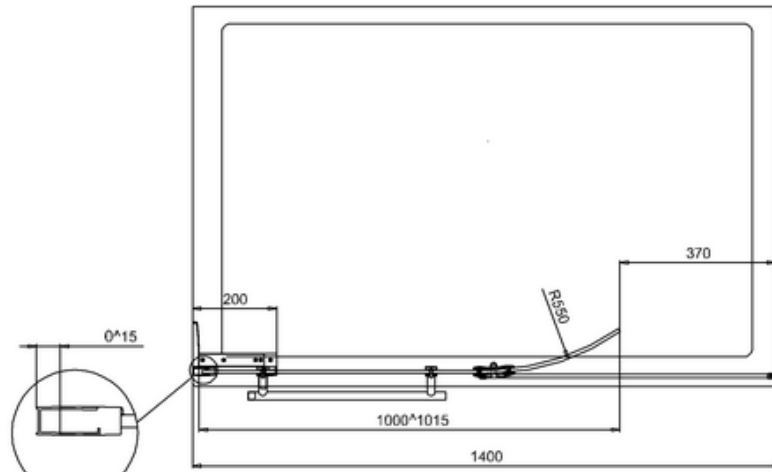
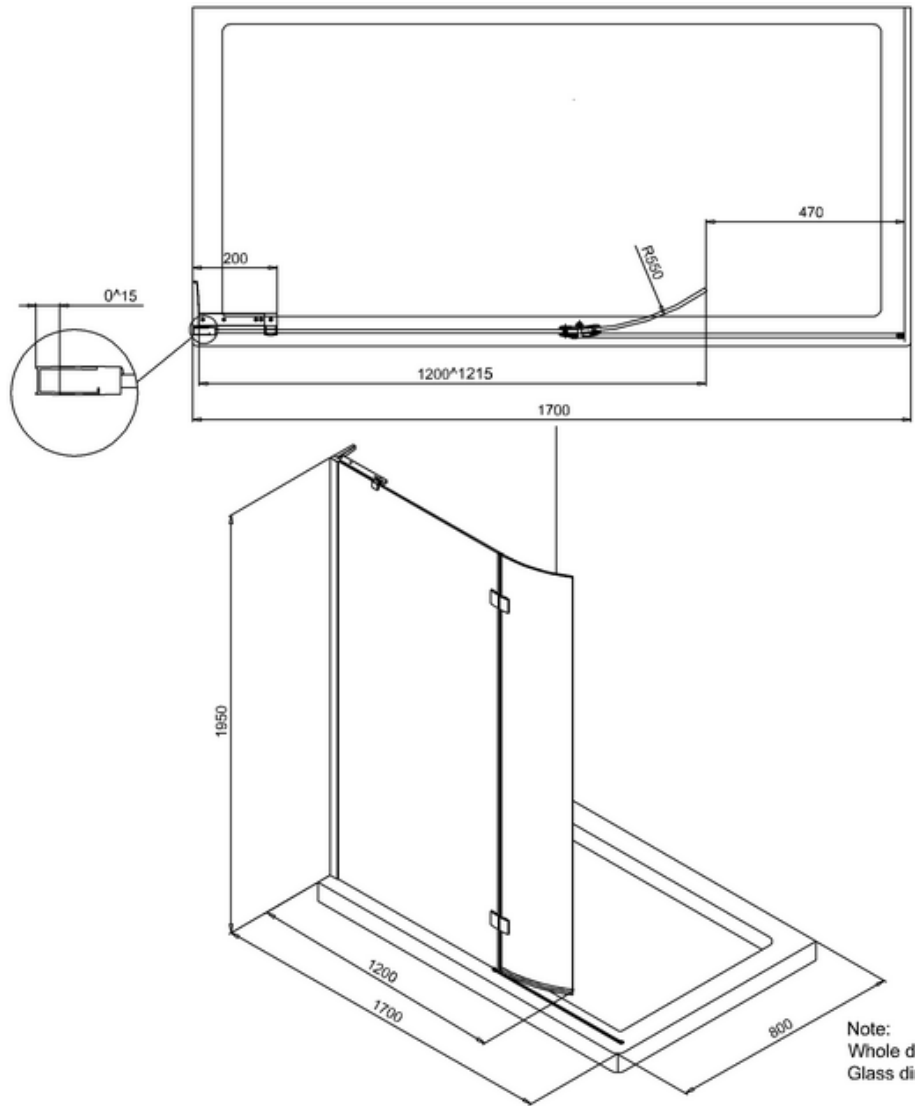


DWQSC1400+ - Design View Walk in Quadrant 1400



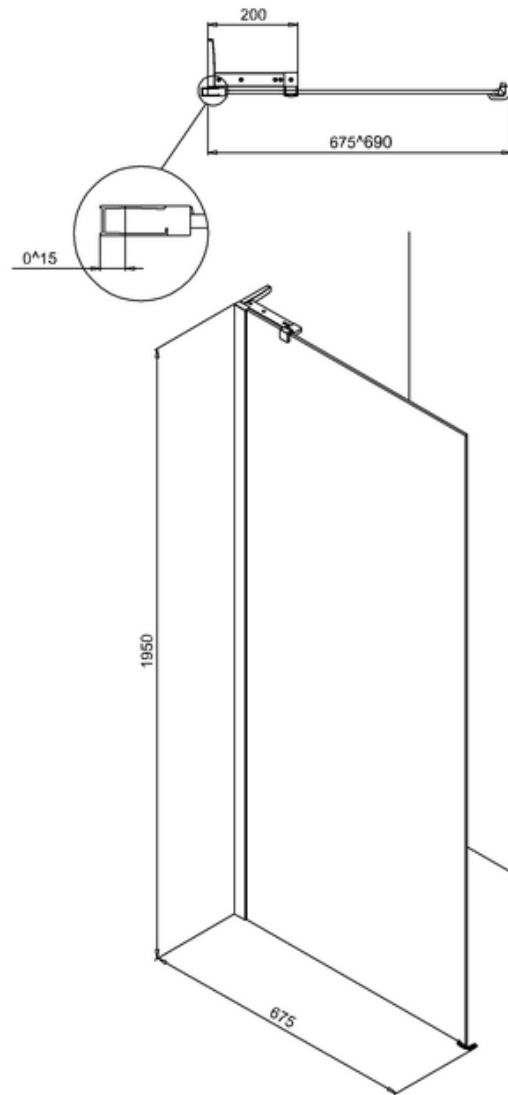
Note:
Whole dimension tolerance is ± 5 .
Glass dimension tolerance is ± 2 .

DWQSC1700+ - Design View Walk in Quadrant 1700



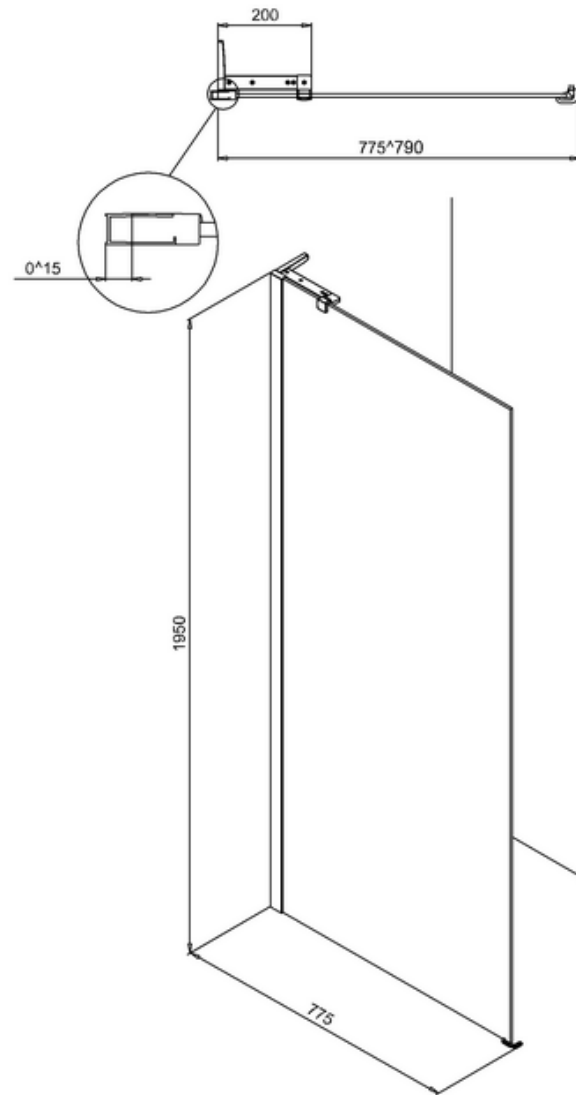
Note:
Whole dimension tolerance is ± 5 .
Glass dimension tolerance is ± 2 .

DSPSC0700+ - Side panel 700mm



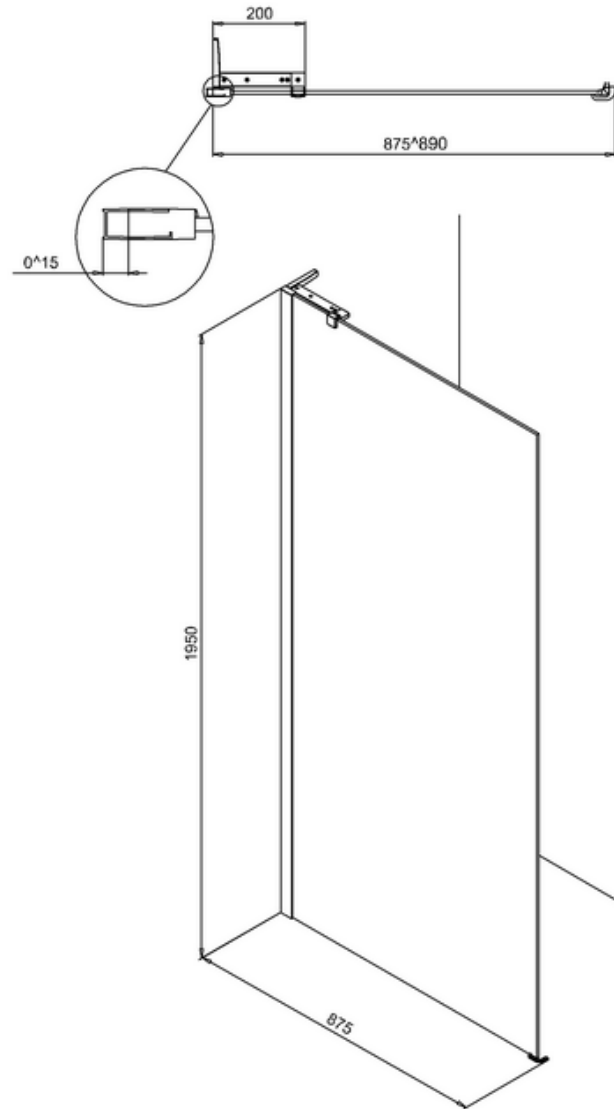
Note:
Whole dimension tolerance is ±5.
Glass dimension tolerance is ±2.

DSPSC0800+ - Side panel 800mm



Note:
Whole dimension tolerance is ± 5 .
Glass dimension tolerance is ± 2 .

DSPSC0900+ - Side panel 900mm



Note:
Whole dimension tolerance is ± 5 .
Glass dimension tolerance is ± 2 .